



US00D461773S

(12) **United States Design Patent**
Li et al.

(10) **Patent No.:** **US D461,773 S**

(45) **Date of Patent:** **** Aug. 20, 2002**

(54) **ELECTRICAL CONNECTOR**

(75) Inventors: **Liao Li Li; Zhiqiang Wang;**
GuangXing Shi, all of Kunsan (CN)

(73) Assignee: **Hon Hai Precision Ind. Co., Ltd.,**
Taipei Hsien (TW)

(**) Term: **14 Years**

(21) Appl. No.: **29/153,041**

(22) Filed: **Dec. 29, 2001**

(51) **LOC (7) Cl.** **13-03**

(52) **U.S. Cl.** **D13/133**

(58) **Field of Search** D13/133; 439/188,
439/668, 669, 607

(56) **References Cited**

U.S. PATENT DOCUMENTS

4,398,784 A	*	8/1983	Takahara	439/668
4,493,526 A	*	1/1985	Masuda	439/668
4,778,240 A	*	10/1988	Komatsu	385/88
4,937,404 A	*	6/1990	Kitagawa	200/51.09

5,738,546 A	*	4/1998	Burroughs et al.	439/620
D417,862 S	*	12/1999	Wood et al.	D13/133
D432,083 S	*	10/2000	Chang	D13/133
6,168,448 B1	*	1/2001	Chang	439/188
6,227,904 B1	*	5/2001	Wang et al.	439/607 X
D446,770 S	*	8/2001	Zheng et al.	D13/133

* cited by examiner

Primary Examiner—Joel Sincavage

(74) *Attorney, Agent, or Firm*—Wei Te Chung

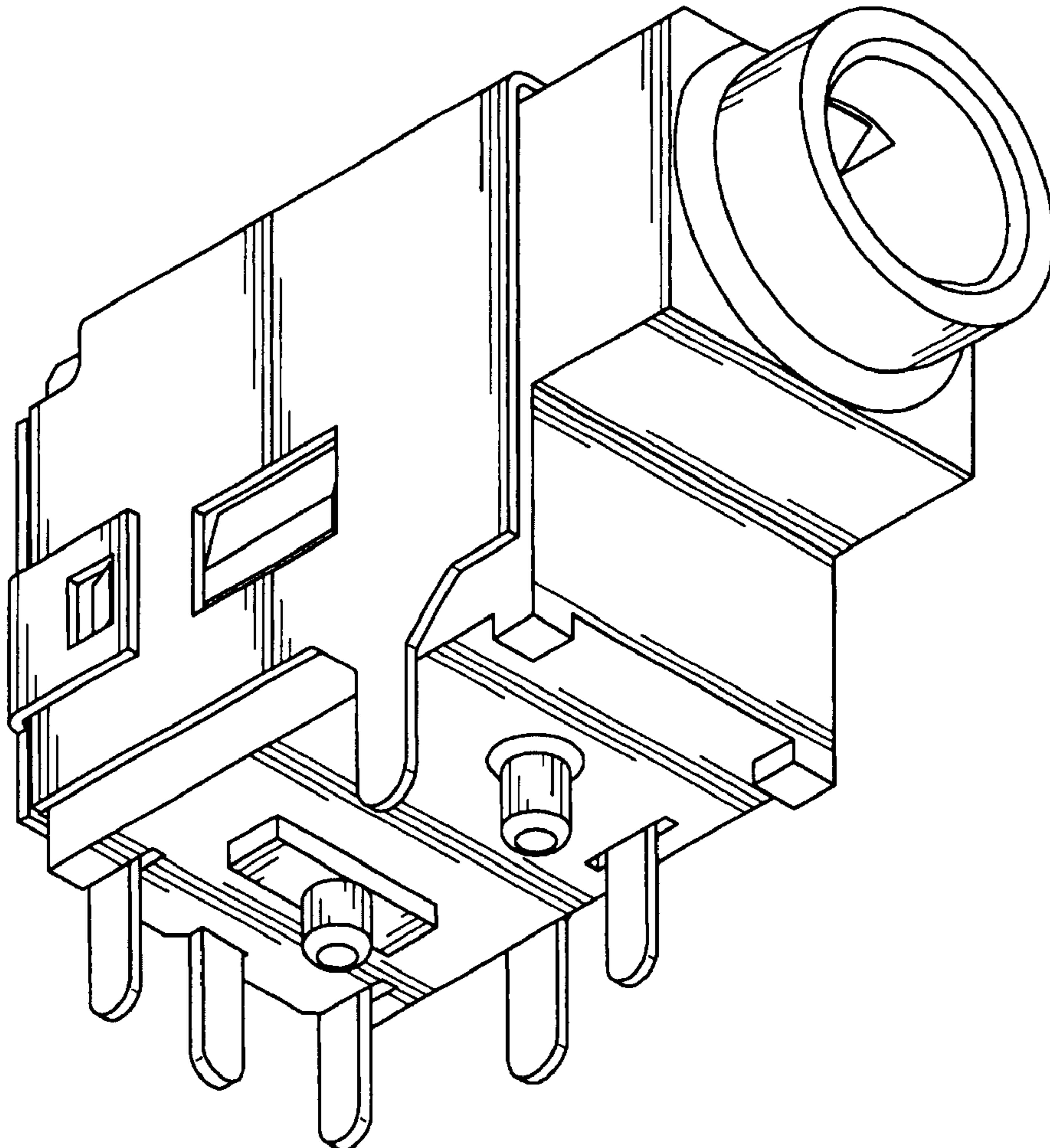
(57) **CLAIM**

The ornamental design for an electrical connector, as shown.

DESCRIPTION

FIG. 1 is a front, bottom and left side perspective view of an electrical connector showing our new design; FIG. 2 is a front elevational view thereof; FIG. 3 is a rear elevational view thereof; FIG. 4 is a left side elevational view thereof; FIG. 5 is a right side elevational view thereof; FIG. 6 is a top plan view thereof; and, FIG. 7 is a bottom plan view thereof.

1 Claim, 7 Drawing Sheets



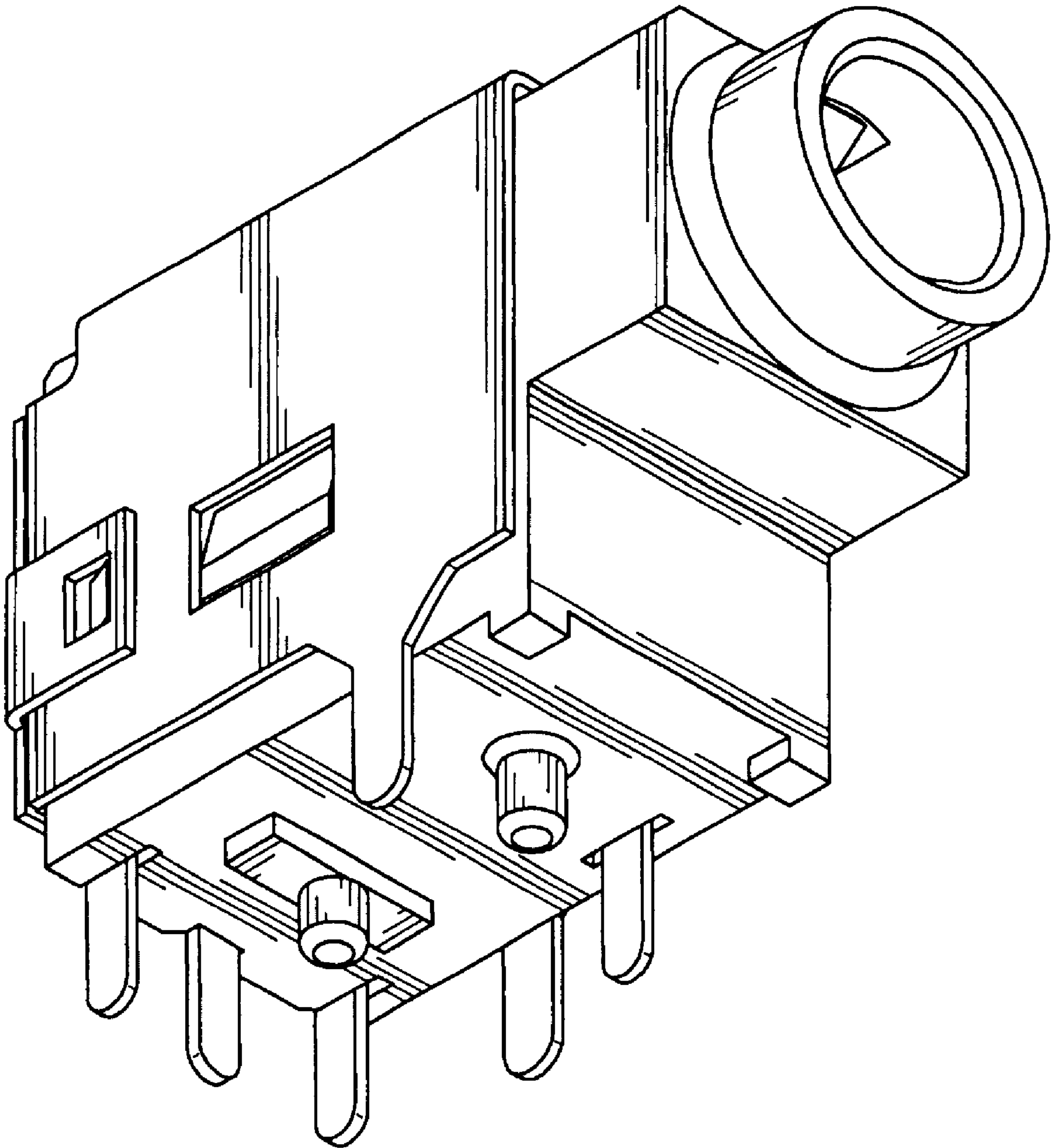


FIG. 1

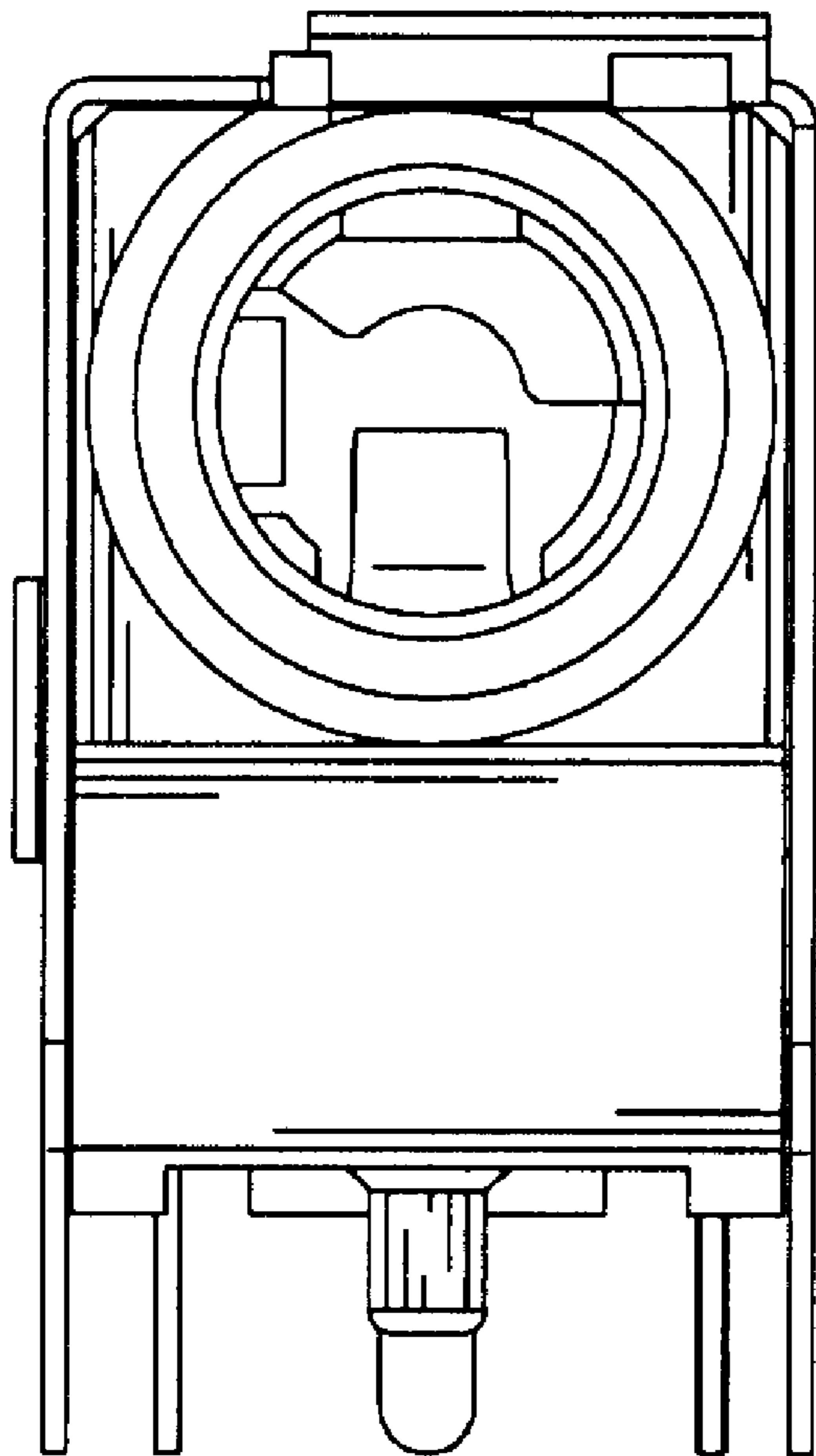


FIG. 2

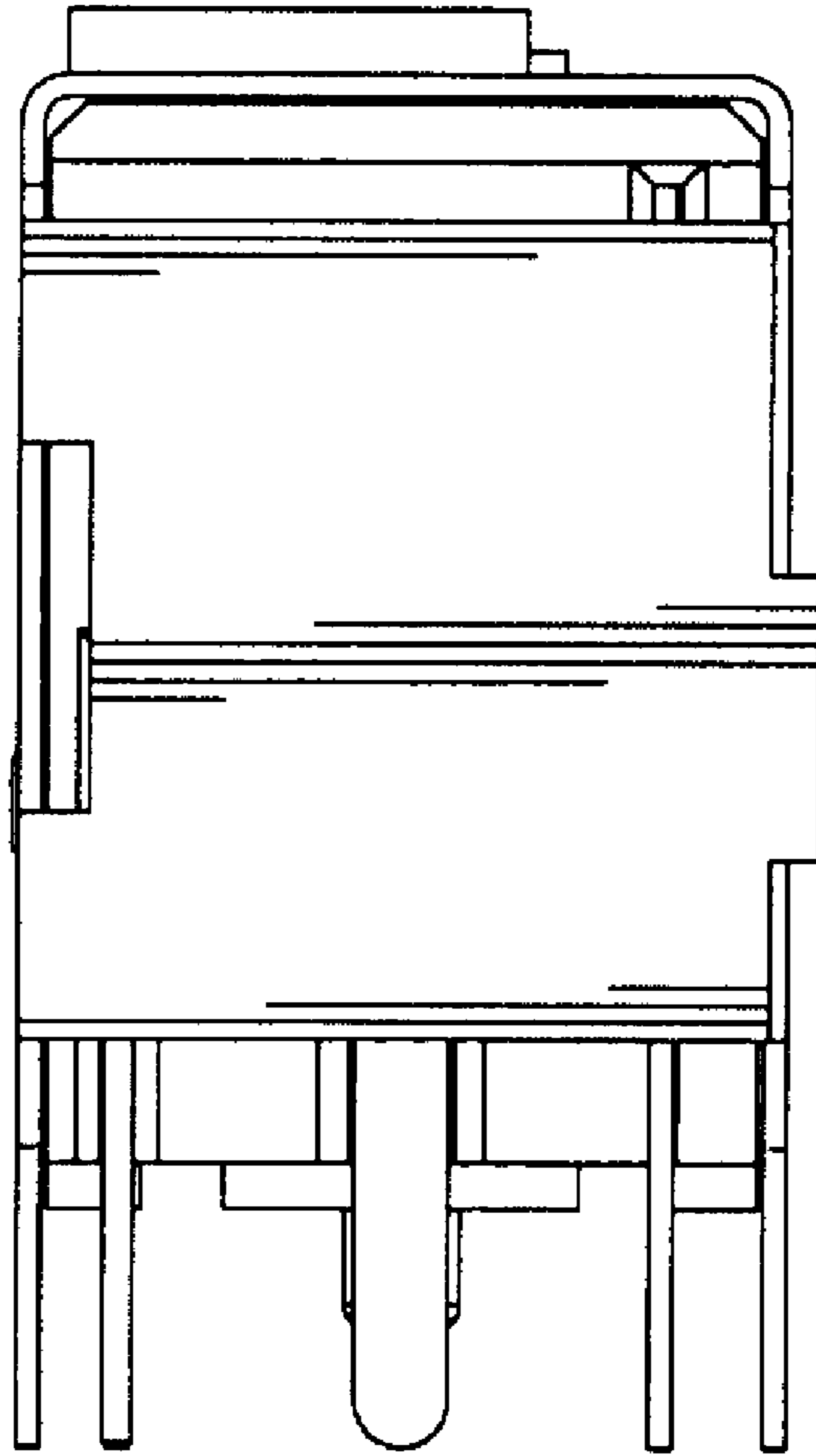


FIG. 3

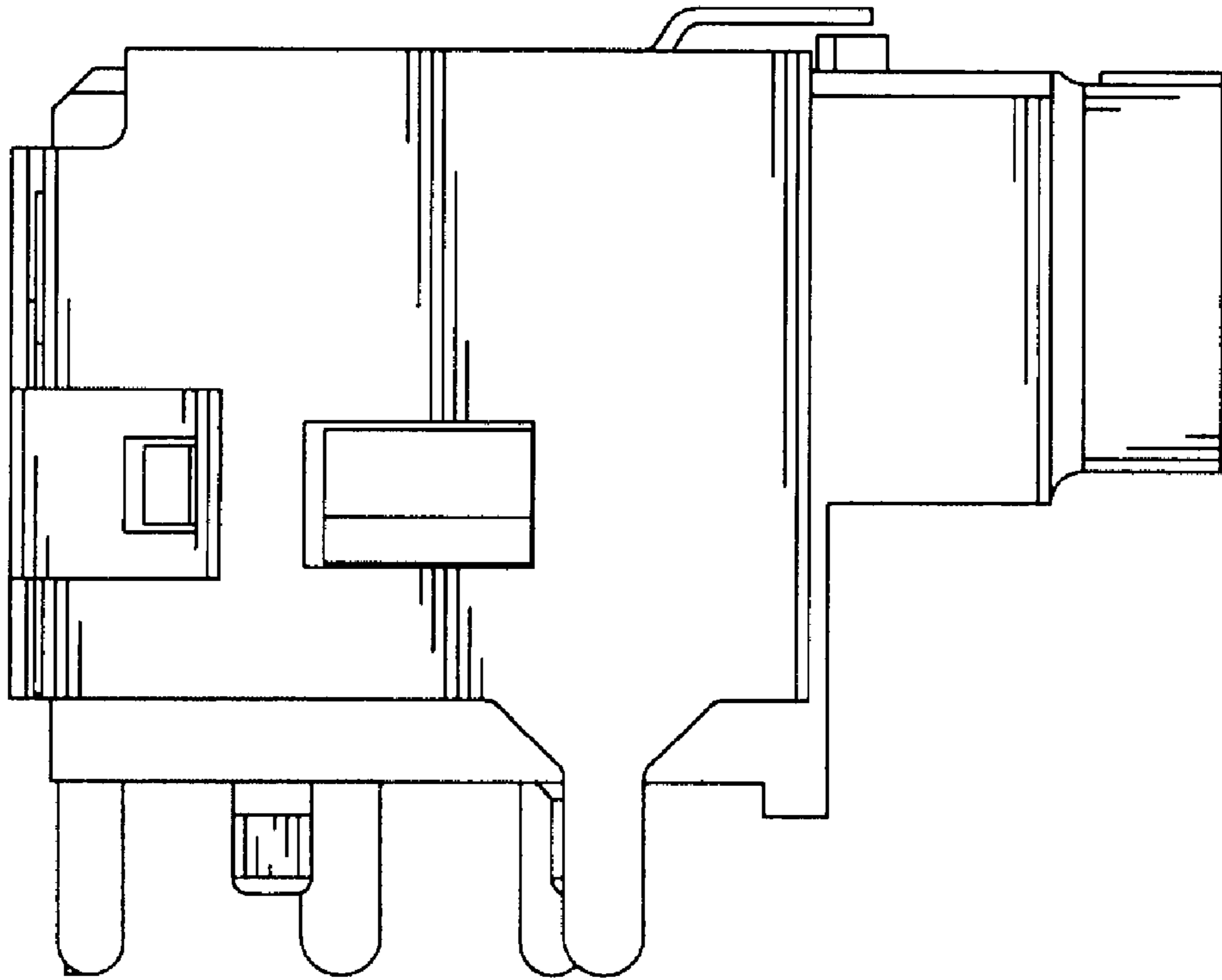


FIG. 4

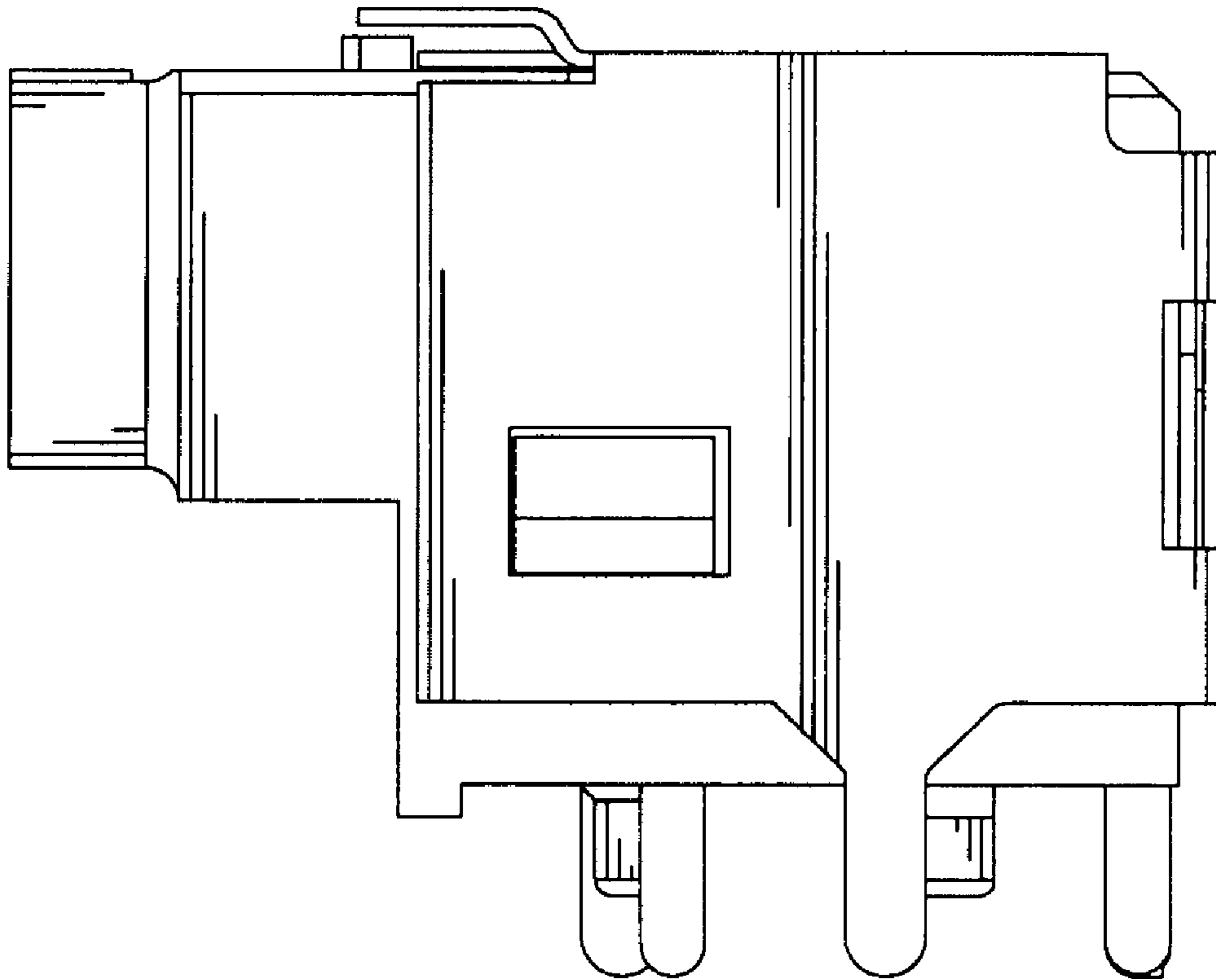


FIG. 5

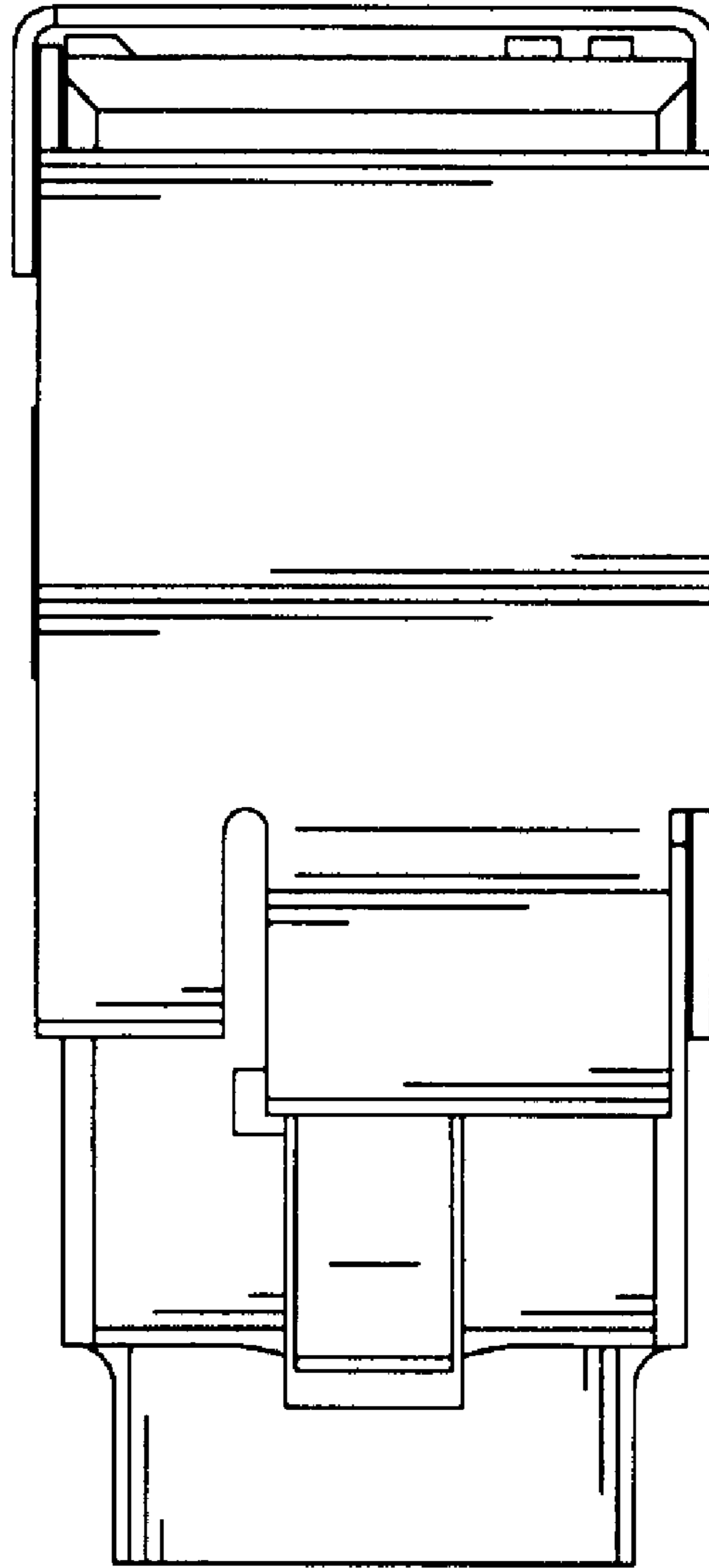


FIG. 6

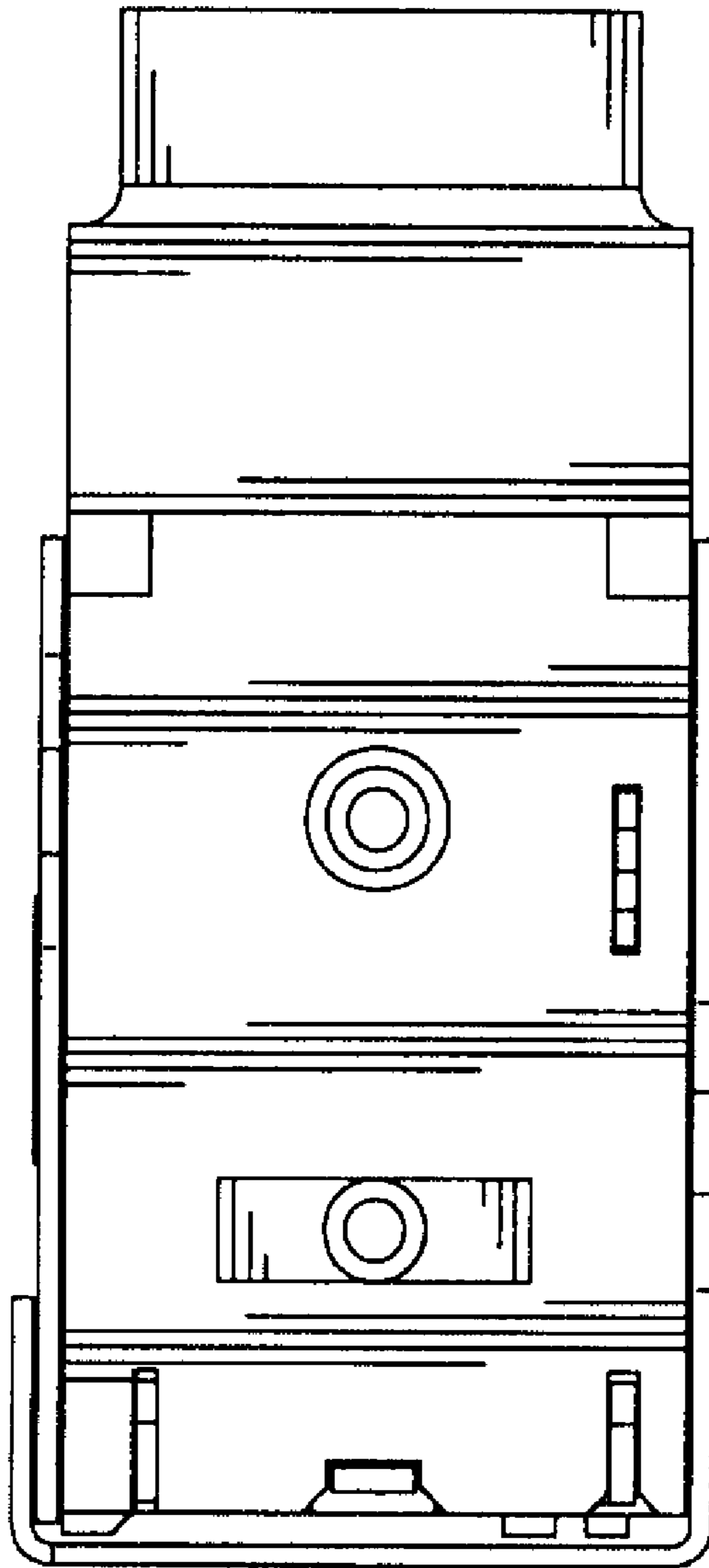


FIG. 7