



US00D461771S

(12) **United States Design Patent**  
**Zhao et al.**

(10) **Patent No.:** **US D461,771 S**

(45) **Date of Patent:** **\*\* Aug. 20, 2002**

(54) **ELECTRICAL CONNECTOR**

(75) Inventors: **QiJun Zhao; ZiQiang Zhu; JinKui Hu**, all of Kunsan (CN)

(73) Assignee: **Hon Hai Precision Ind. Co., Ltd.**, Taipei Hsien (TW)

(\*\*) Term: **14 Years**

(21) Appl. No.: **29/150,773**

(22) Filed: **Nov. 28, 2001**

(51) **LOC (7) Cl.** ..... **13-03**

(52) **U.S. Cl.** ..... **D13/133**

(58) **Field of Search** ..... D13/146, 133,  
D13/147; 439/188, 668, 669, 488-490,  
541.5

(56) **References Cited**

**U.S. PATENT DOCUMENTS**

3,887,803 A \* 6/1975 Savage, Jr. .... 362/363  
4,065,198 A \* 12/1977 Jordan ..... 439/56  
5,075,518 A \* 12/1991 Matsumoto ..... 439/188 X  
5,393,249 A \* 2/1995 Morgenstern et al. .... 439/668

5,764,043 A \* 6/1998 Czosnowski et al. ... 439/490 X  
5,797,768 A \* 8/1998 Francaviglia ..... 439/567  
D431,528 S \* 10/2000 Zhu et al. .... D13/133  
D435,015 S \* 12/2000 Wang ..... D13/133  
6,227,904 B1 \* 5/2001 Wang et al. .... 439/541.5  
D447,116 S \* 8/2001 Zhu et al. .... D13/133  
6,280,245 B1 \* 8/2001 Han ..... 439/541.5

\* cited by examiner

*Primary Examiner*—Joel Sincavage

(74) *Attorney, Agent, or Firm*—Wei Te Chung

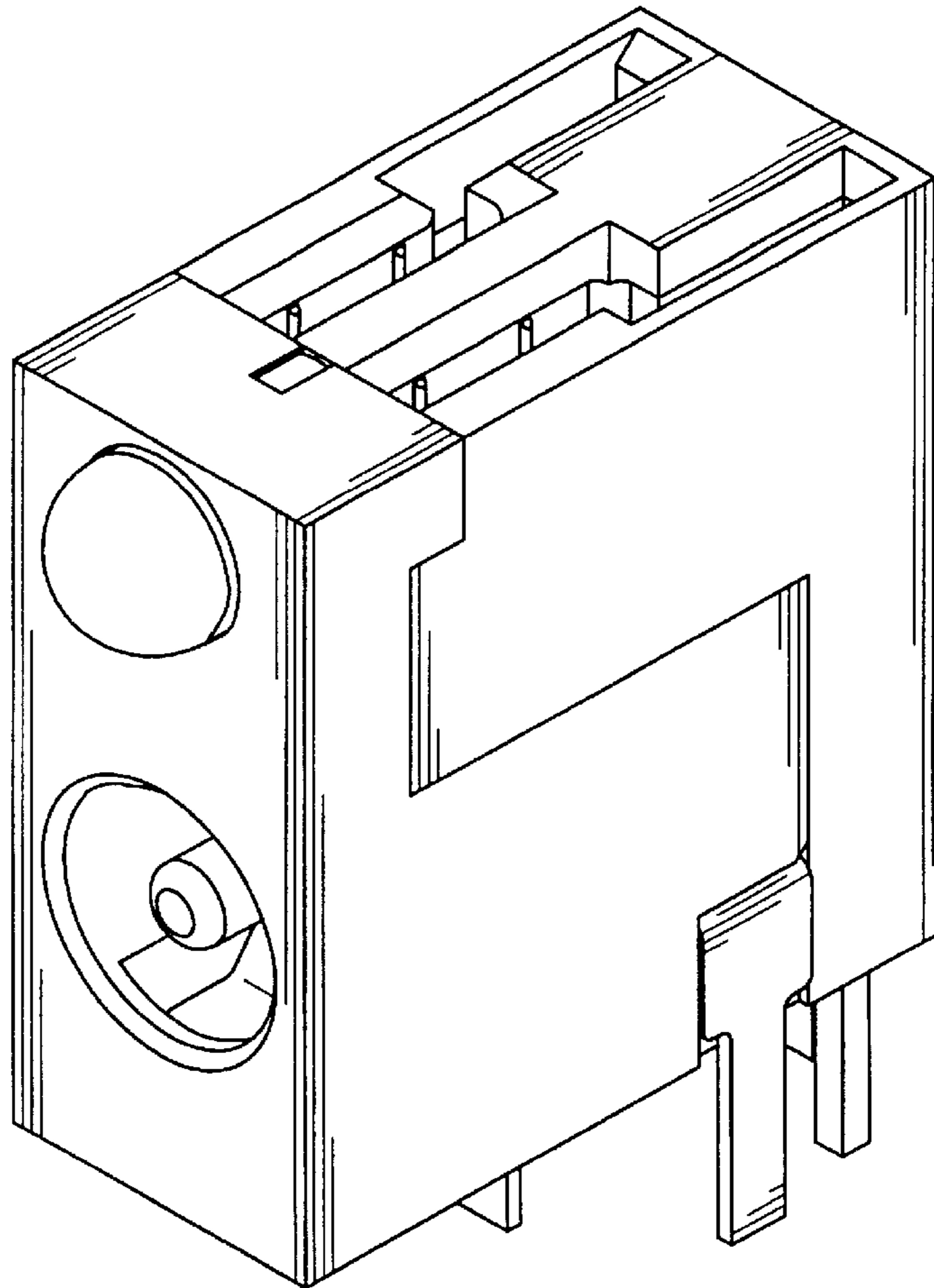
(57) **CLAIM**

The ornamental design for an electrical connector, as shown.

**DESCRIPTION**

FIG. 1 is a front, top and right side perspective view of an electrical connector showing our new design; FIG. 2 is a front elevational view thereof; FIG. 3 is a rear elevational view thereof; FIG. 4 is a left side elevational view thereof; FIG. 5 is a right side elevational view thereof; FIG. 6 is a top plan view thereof; and, FIG. 7 is a bottom plan view thereof.

**1 Claim, 5 Drawing Sheets**



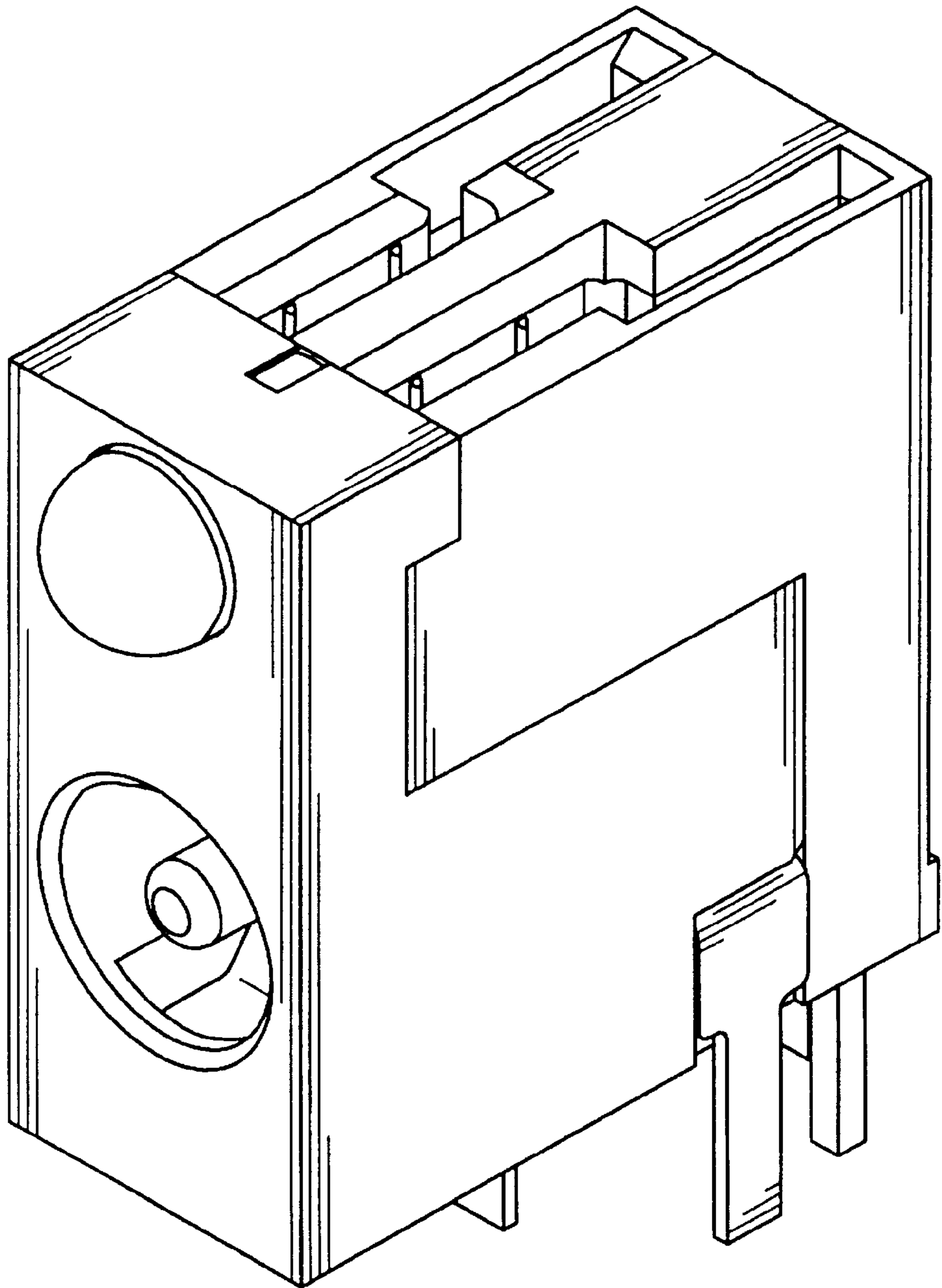


FIG. 1

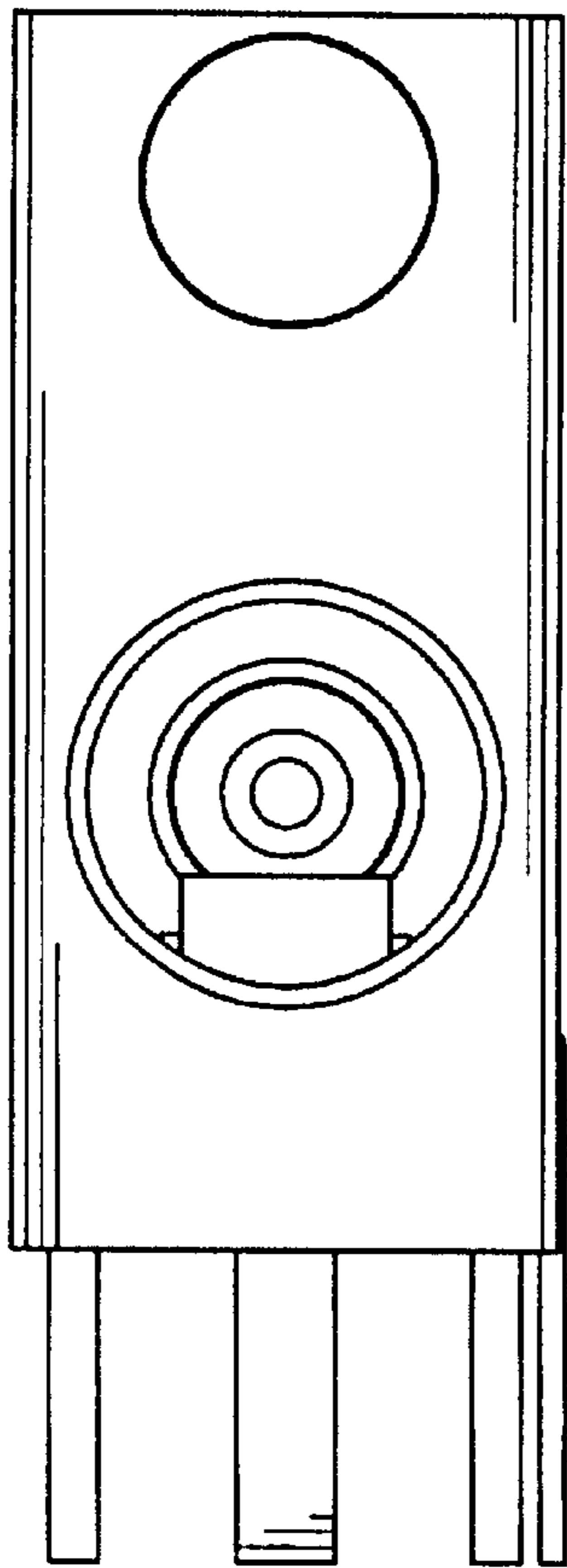


FIG. 2

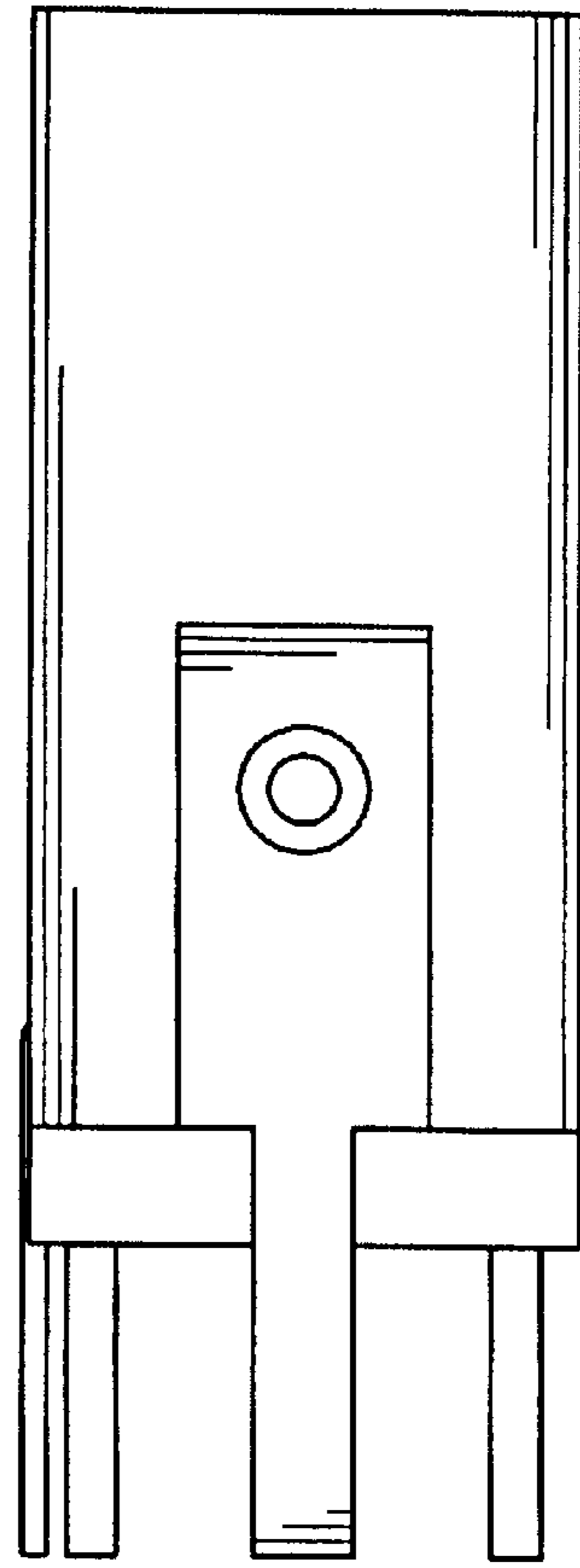


FIG. 3

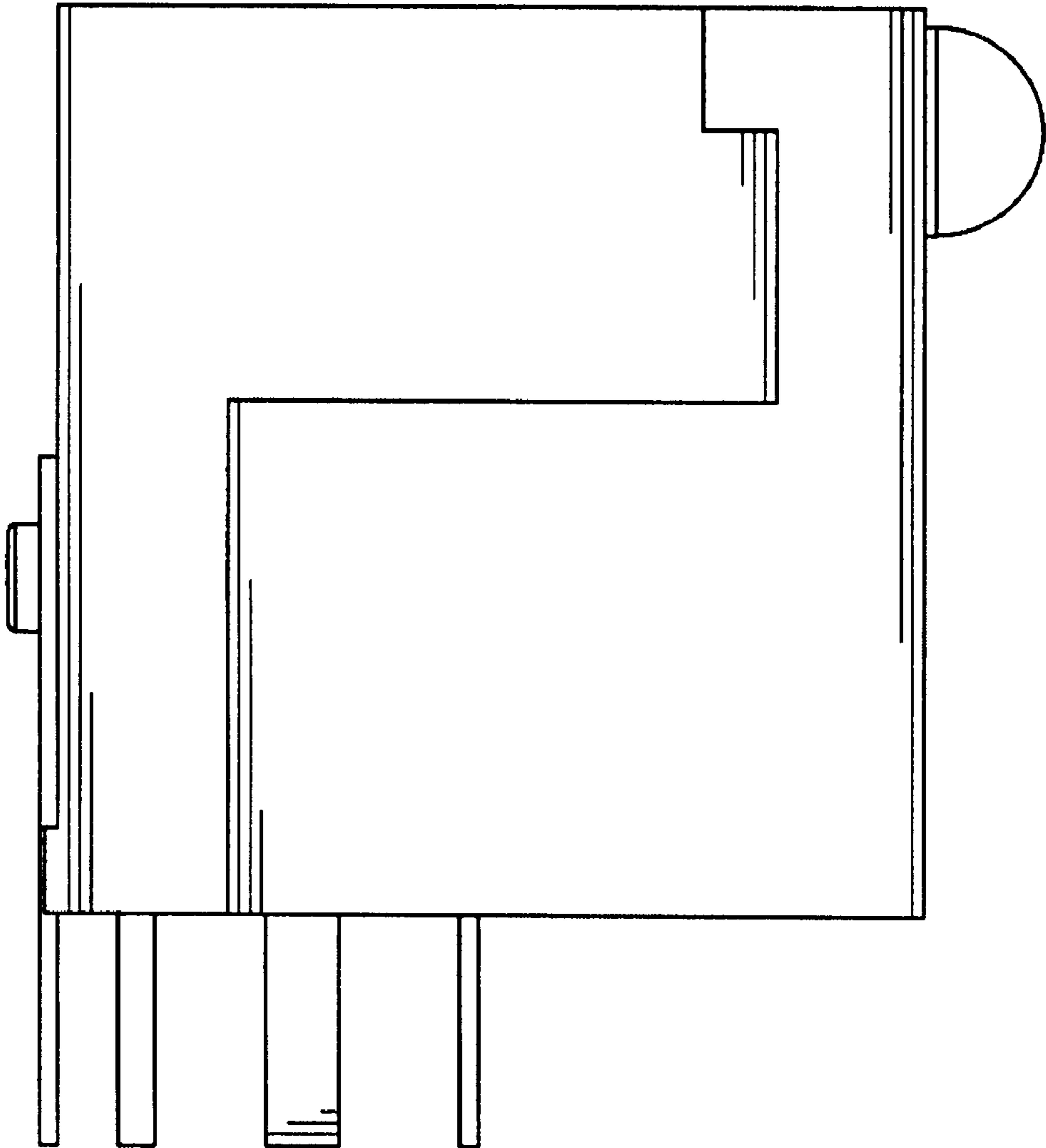


FIG. 4

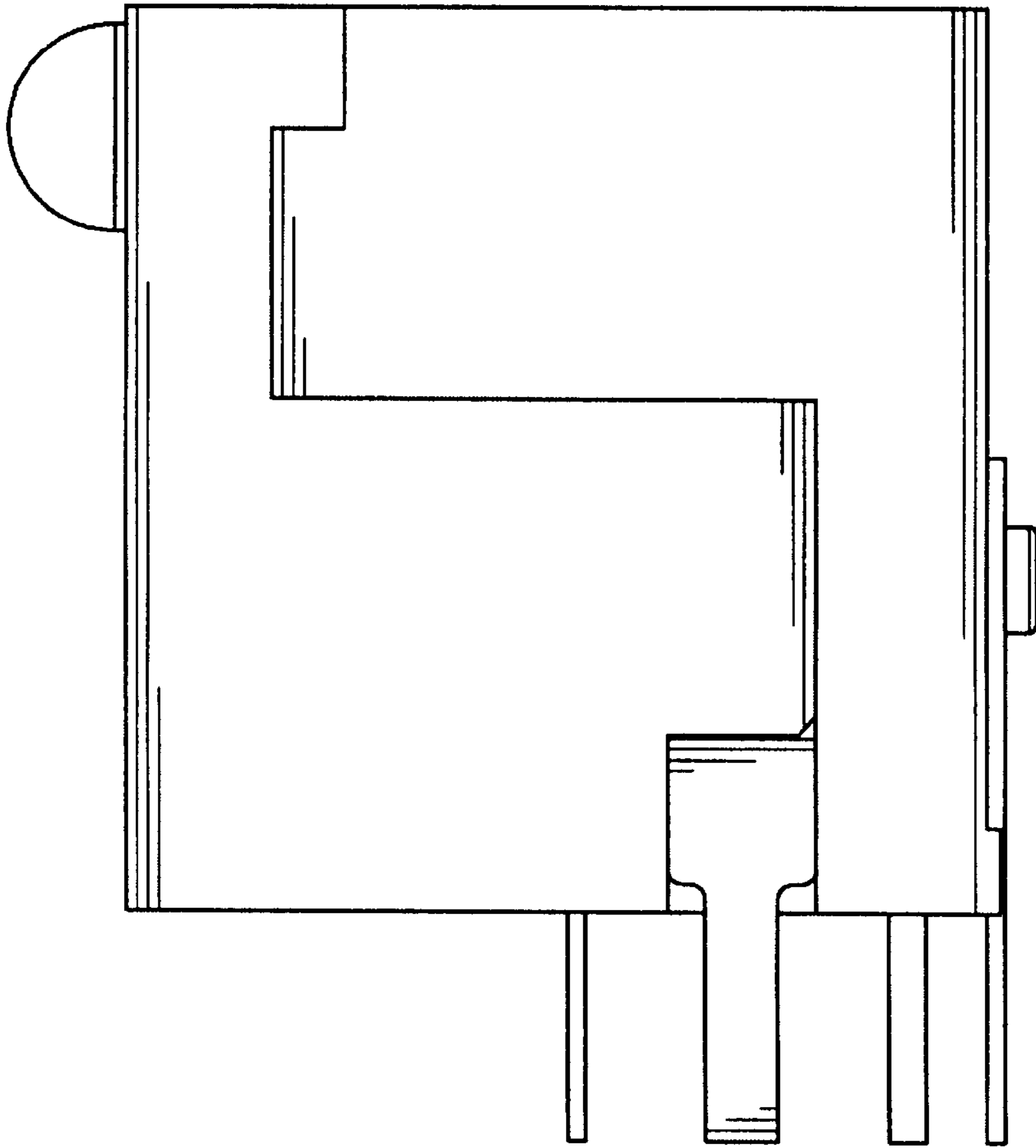


FIG. 5

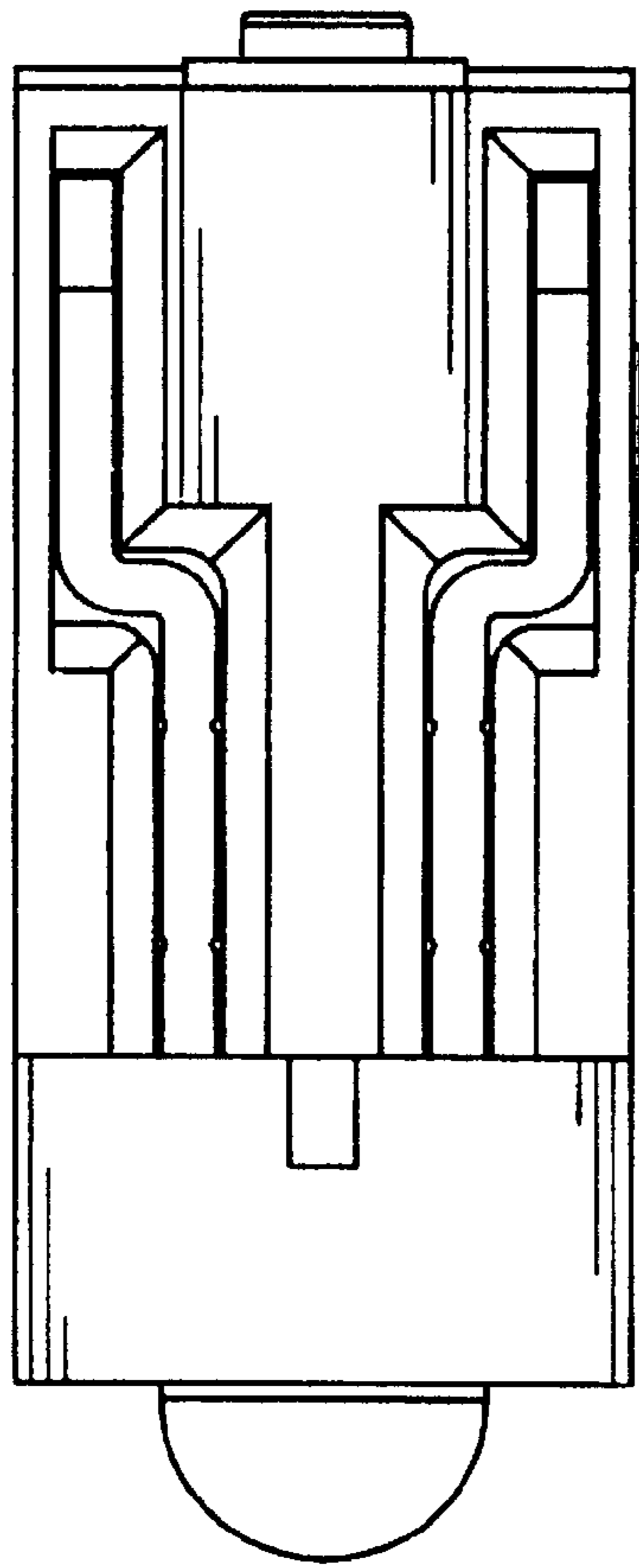


FIG. 6

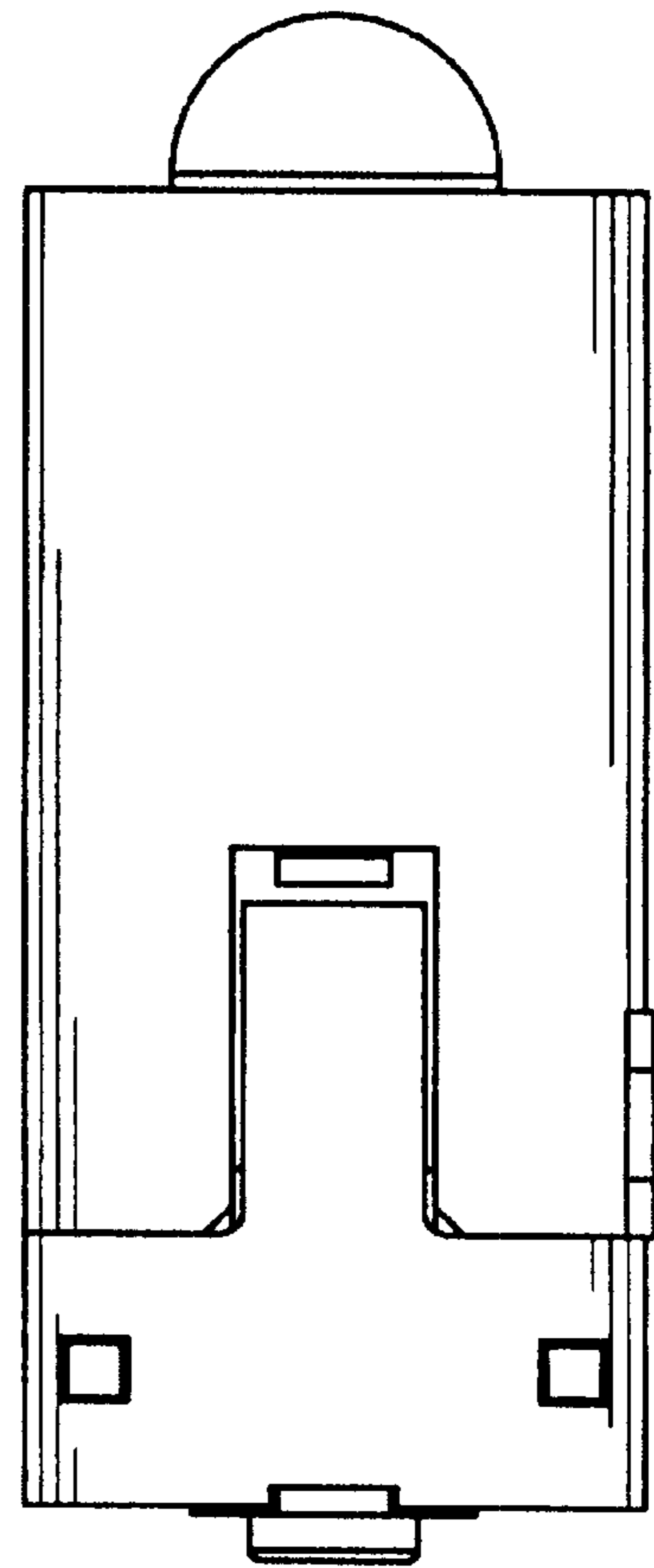


FIG. 7