



US00D461767S

(12) **United States Design Patent**
Liang

(10) **Patent No.:** **US D461,767 S**

(45) **Date of Patent:** **** Aug. 20, 2002**

(54) **ELECTRIC COUPLER FOR BATTERIES**

D451,070 S * 11/2001 Liang D13/120
D451,471 S * 12/2001 Liang D13/120

(76) Inventor: **Shih Tsung Liang**, P.O. Box 10-69,
Chong Ho, Taipei (TW), 235

* cited by examiner

(**) Term: **14 Years**

Primary Examiner—Joel Sincavage

(21) Appl. No.: **29/148,506**

(57) **CLAIM**

(22) Filed: **Sep. 15, 2001**

The ornamental design for an electric coupler for batteries,
as shown and described.

(51) **LOC (7) Cl.** **13-02**

DESCRIPTION

(52) **U.S. Cl.** **D13/120**

(58) **Field of Search** D13/120; 439/762,
439/763, 764

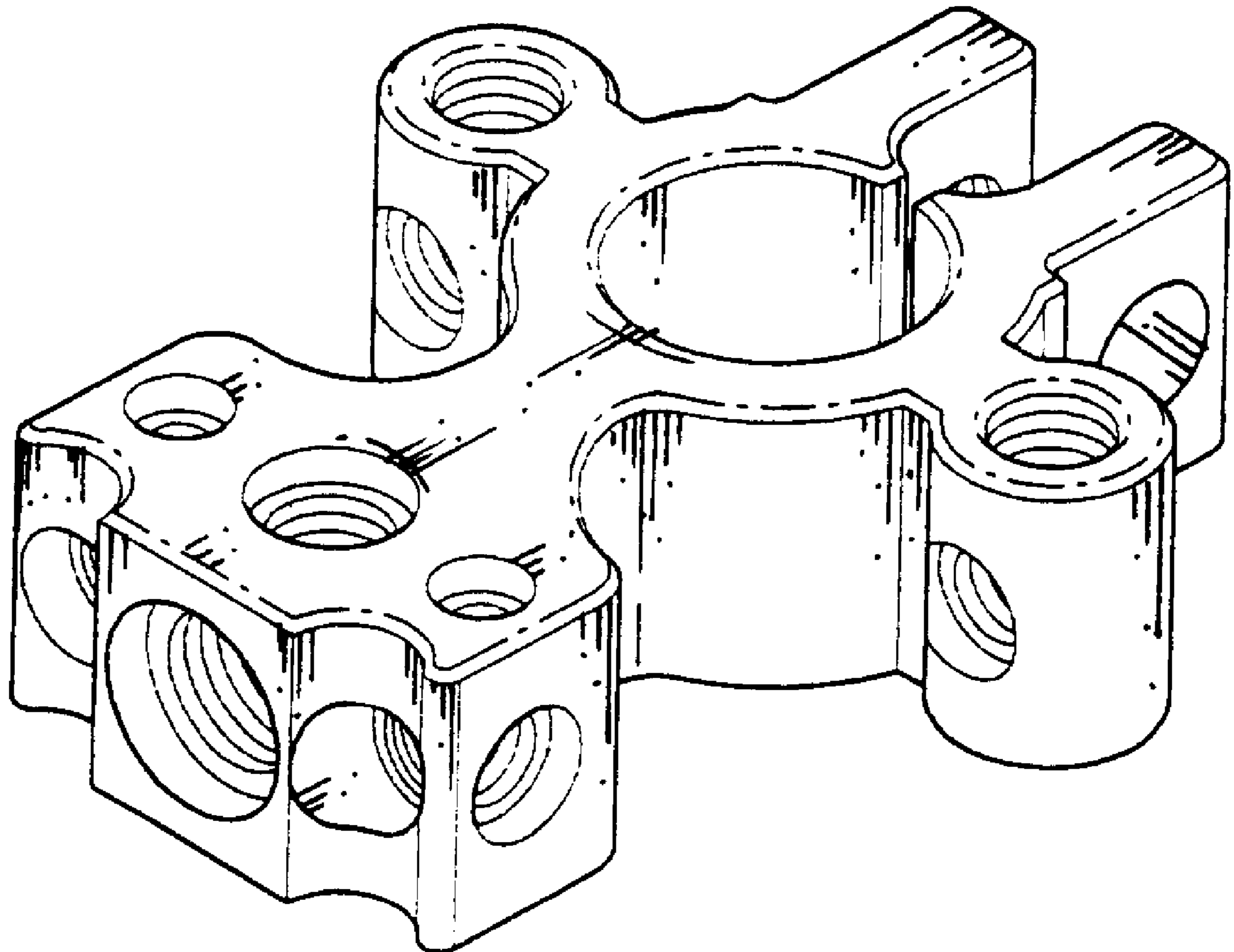
FIG. 1 is a perspective view of an electric coupler for
batteries showing my new design;
FIG. 2 is a front elevational view thereof;
FIG. 3 is a rear elevational view thereof;
FIG. 4 is a top plan view thereof;
FIG. 5 is a bottom plan view thereof;
FIG. 6 is a left side elevational view thereof; and,
FIG. 7 is a right side elevational view thereof.

(56) **References Cited**

U.S. PATENT DOCUMENTS

564,679	A	*	7/1896	Wurts	439/763	X
D448,341	S	*	9/2001	Liang	D13/120	
D448,725	S	*	10/2001	Liang	D13/120	
D448,726	S	*	10/2001	Liang	D13/120	
D449,272	S	*	10/2001	Liang	D13/120	

1 Claim, 2 Drawing Sheets



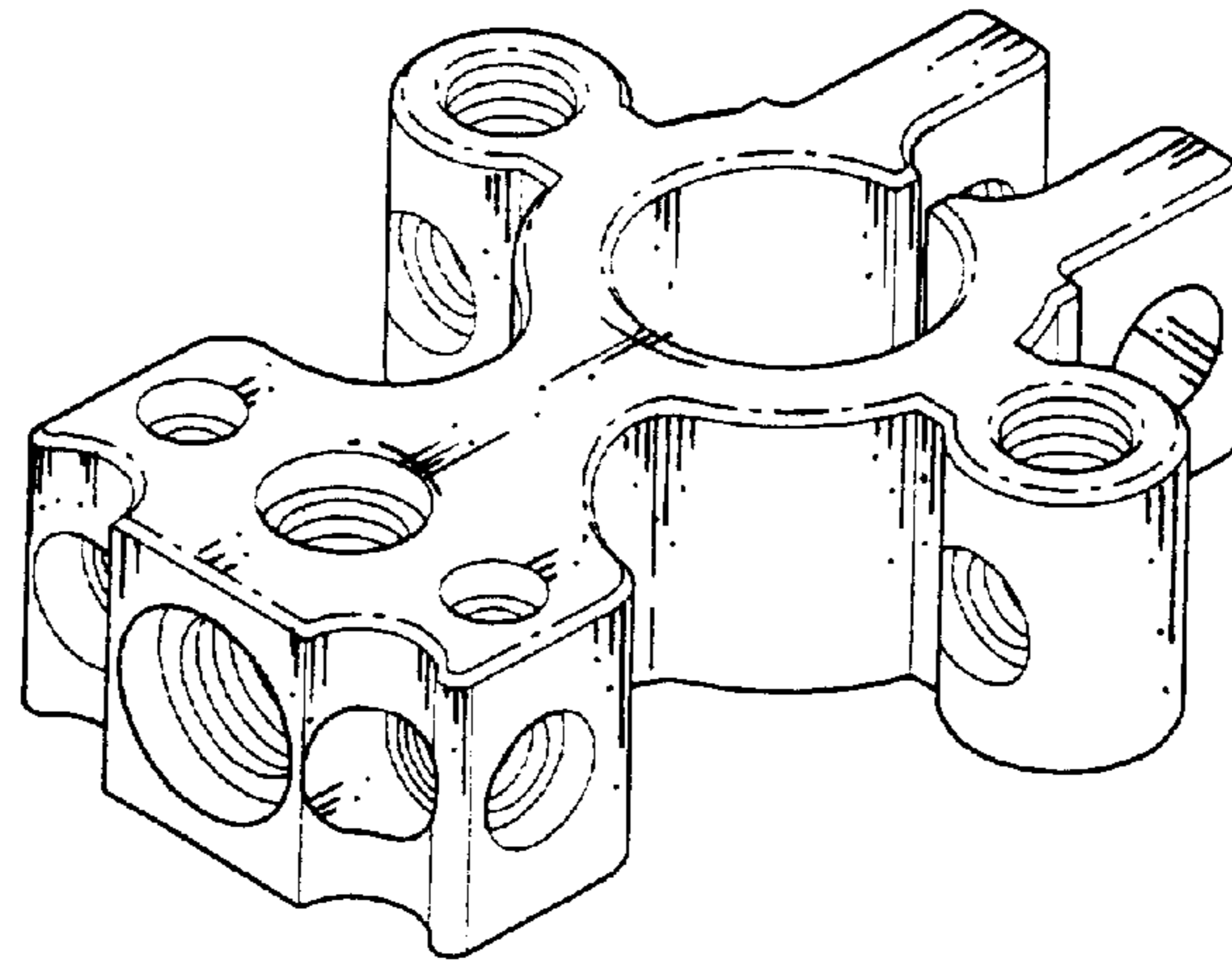


FIG. 1

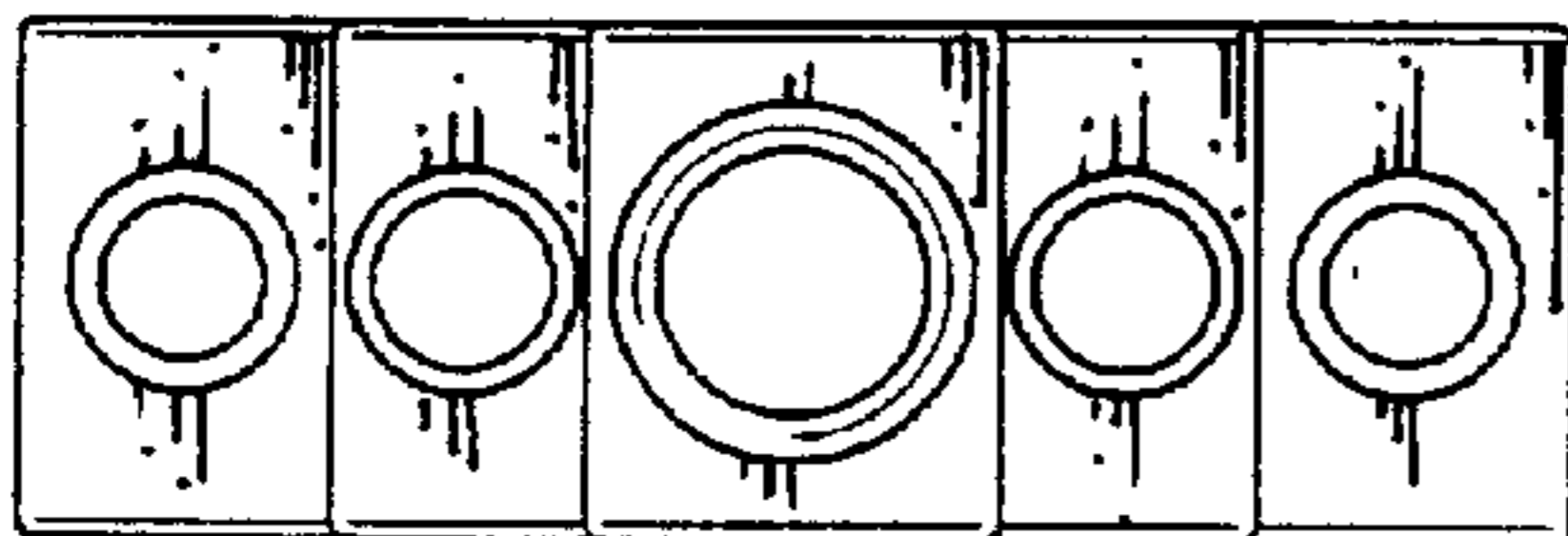


FIG. 2

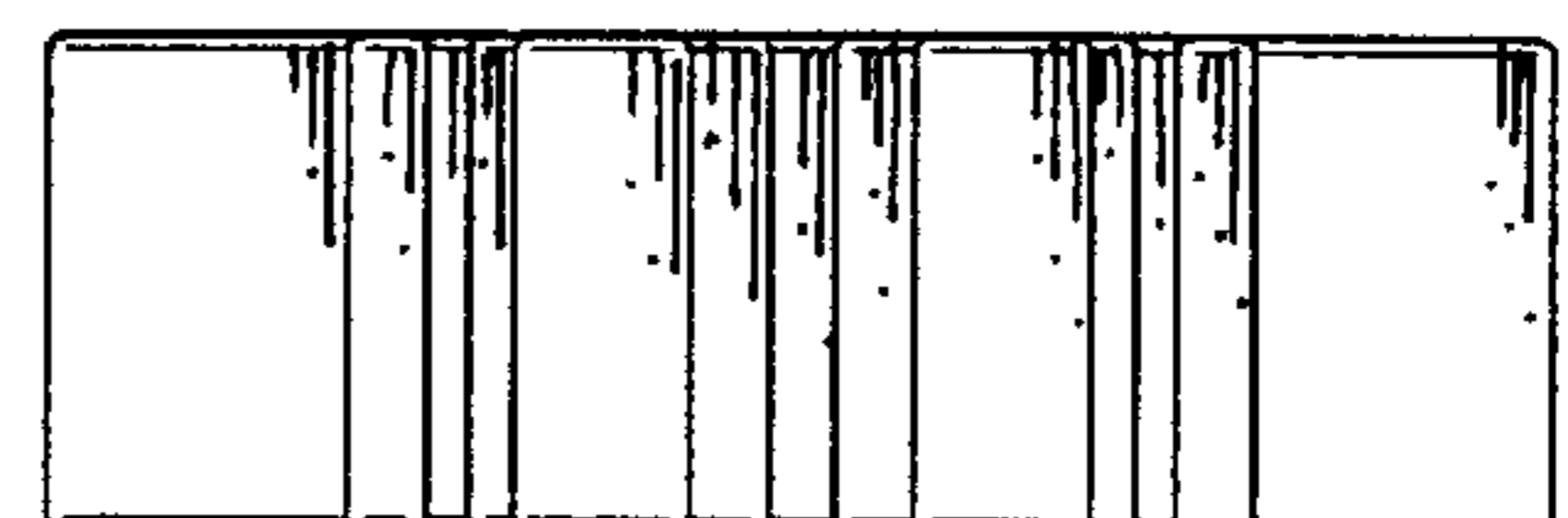


FIG. 3

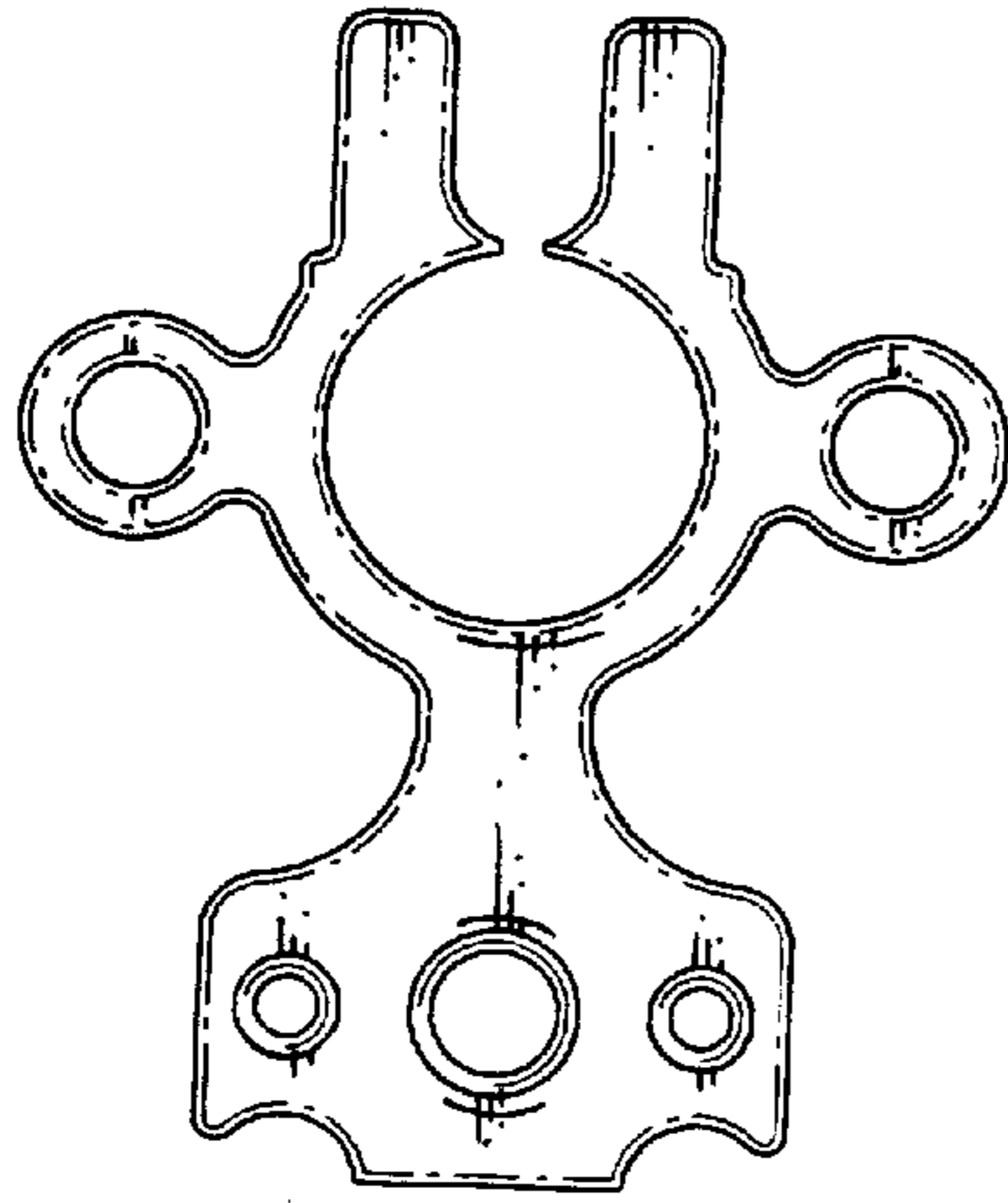


FIG. 4

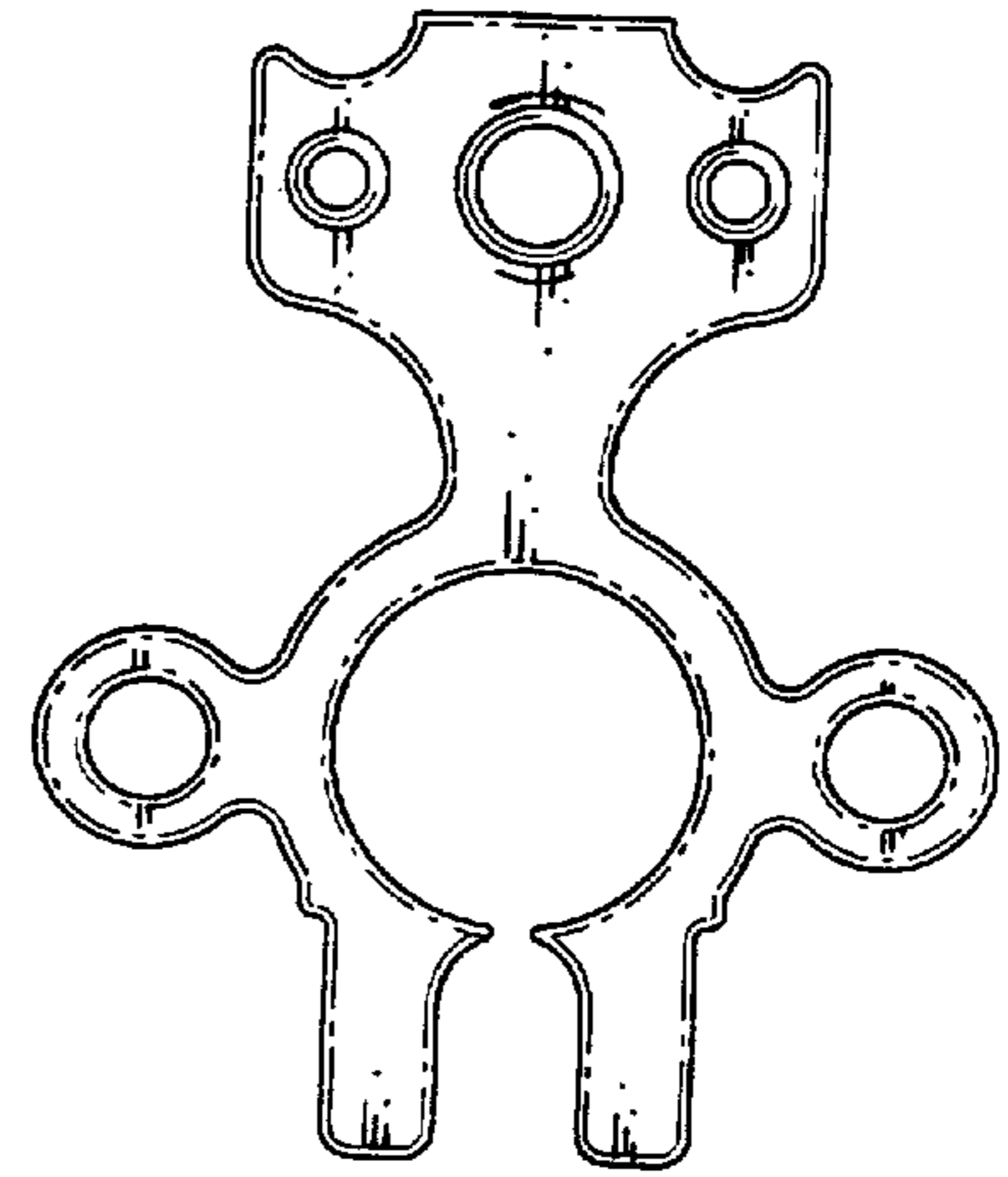


FIG. 5

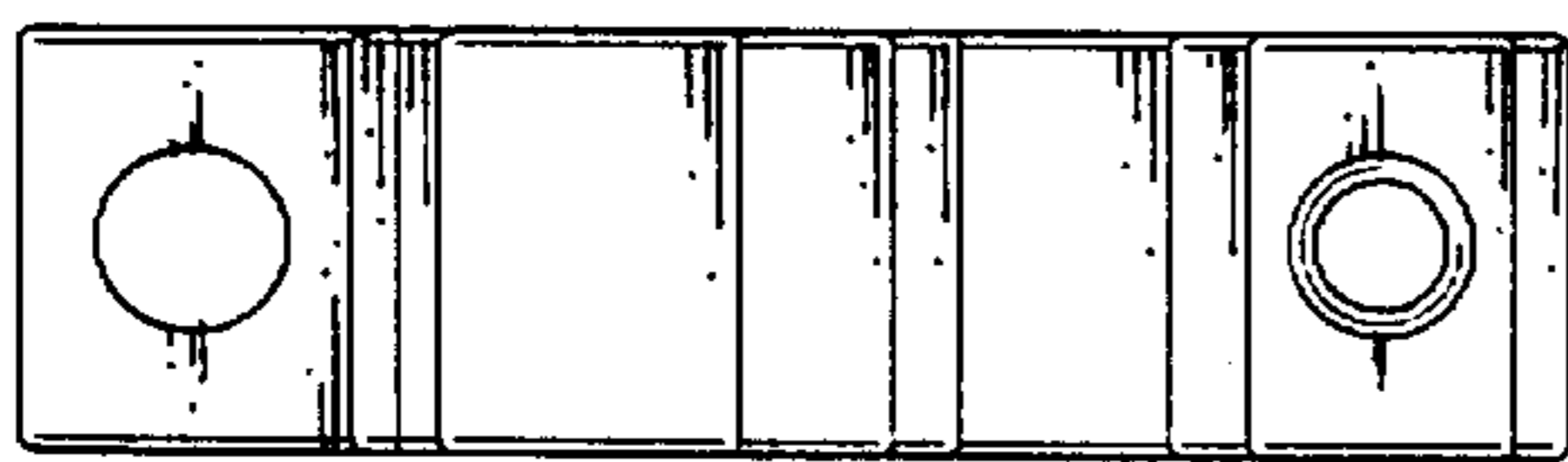


FIG. 6

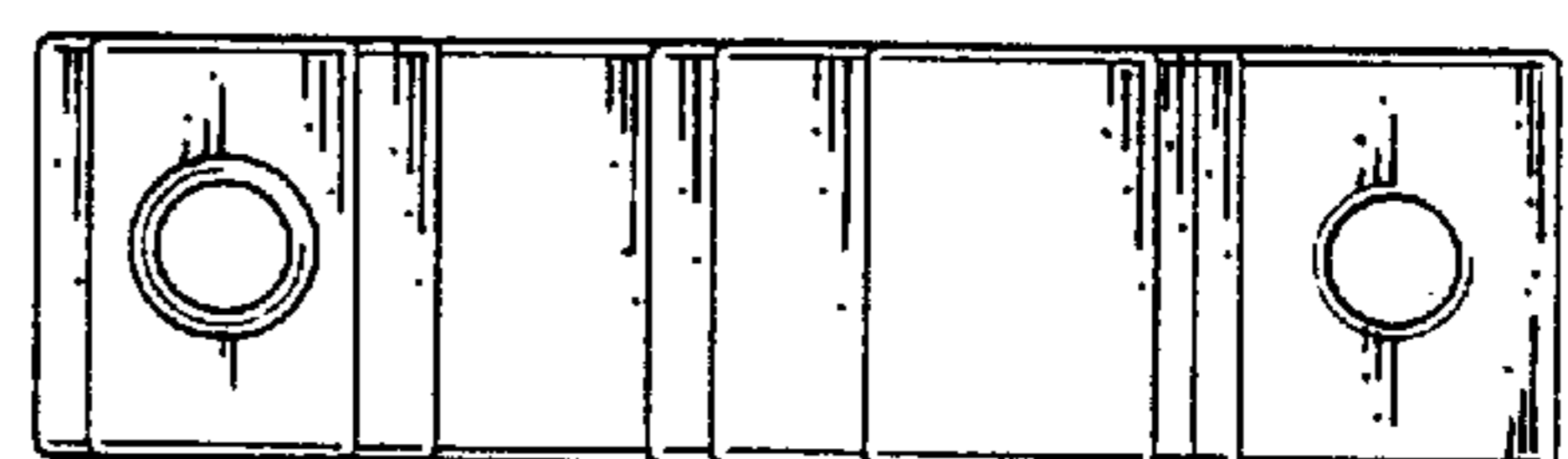


FIG. 7