



US00D461766S

(12) **United States Design Patent**  
**Liang**

(10) **Patent No.:** **US D461,766 S**

(45) **Date of Patent:** **\*\* Aug. 20, 2002**

(54) **ELECTRIC COUPLER FOR BATTERIES**

D448,728 S \* 10/2001 Liang ..... D13/120

(76) Inventor: **Shih Tsung Liang**, P.O.Box 10-69,  
Chong Ho, Taipei (TW), 235

\* cited by examiner

*Primary Examiner*—Joel Sincavage

(\*\*) Term: **14 Years**

(57) **CLAIM**

(21) Appl. No.: **29/147,657**

The ornamental design for an electric coupler for batteries,  
as shown and described.

(22) Filed: **Sep. 5, 2001**

**DESCRIPTION**

(51) **LOC (7) Cl.** ..... **13-02**

(52) **U.S. Cl.** ..... **D13/120**

(58) **Field of Search** ..... D13/120; 439/762,  
439/763, 764

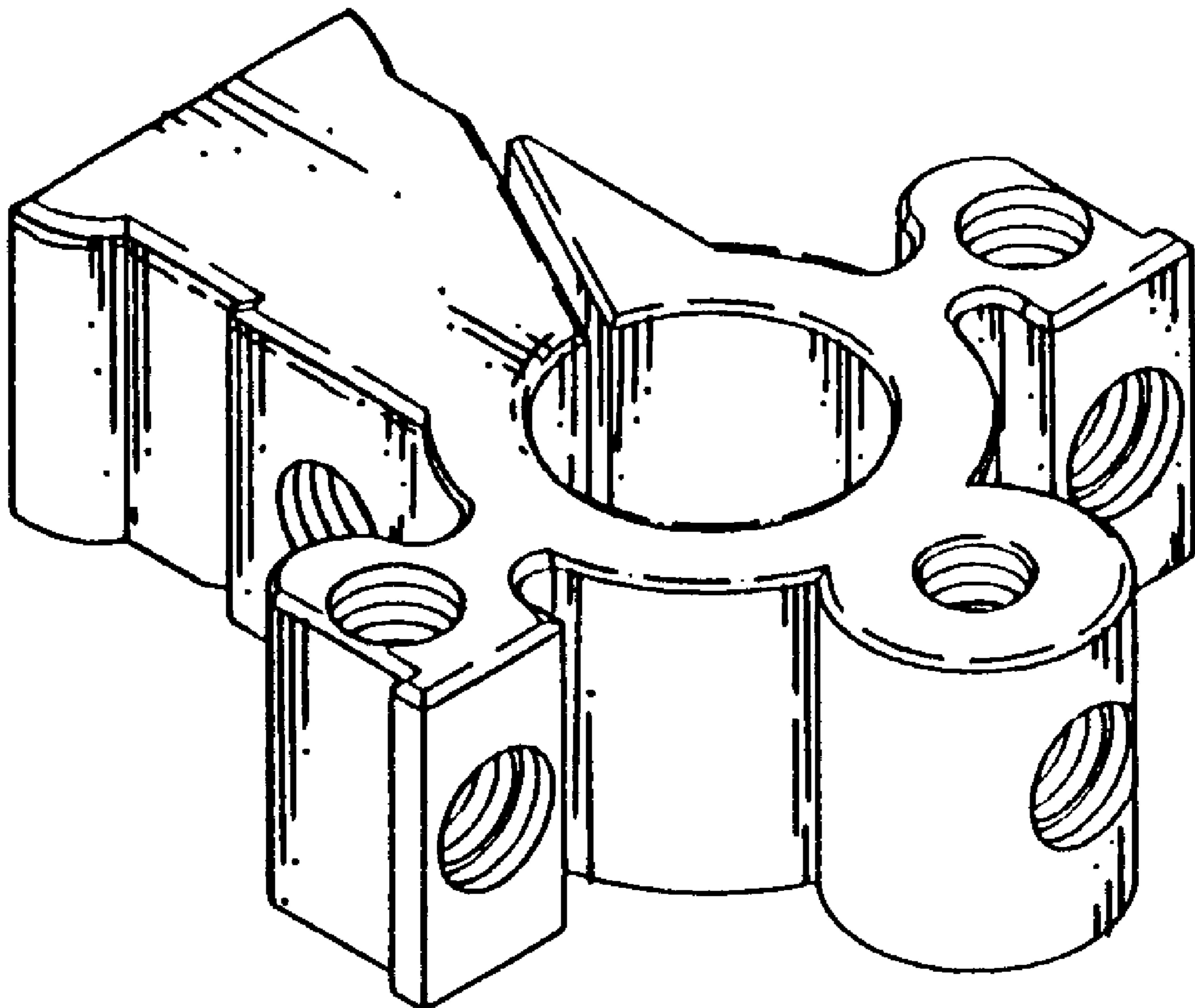
FIG. 1 is a perspective view of an electric coupler for  
batteries showing my new design;  
FIG. 2 is a front elevational view thereof;  
FIG. 3 is a rear elevational view thereof;  
FIG. 4 is a top plan view thereof;  
FIG. 5 is a bottom plan view thereof;  
FIG. 6 is a left side elevational view thereof; and,  
FIG. 7 is a right side elevational view thereof.

(56) **References Cited**

**U.S. PATENT DOCUMENTS**

- 1,230,394 A \* 6/1917 Ford ..... 439/762 X
- 1,381,443 A \* 6/1921 Woessner ..... 439/764
- D448,341 S \* 9/2001 Liang ..... D13/120
- D448,342 S \* 9/2001 Liang ..... D13/120

**1 Claim, 2 Drawing Sheets**



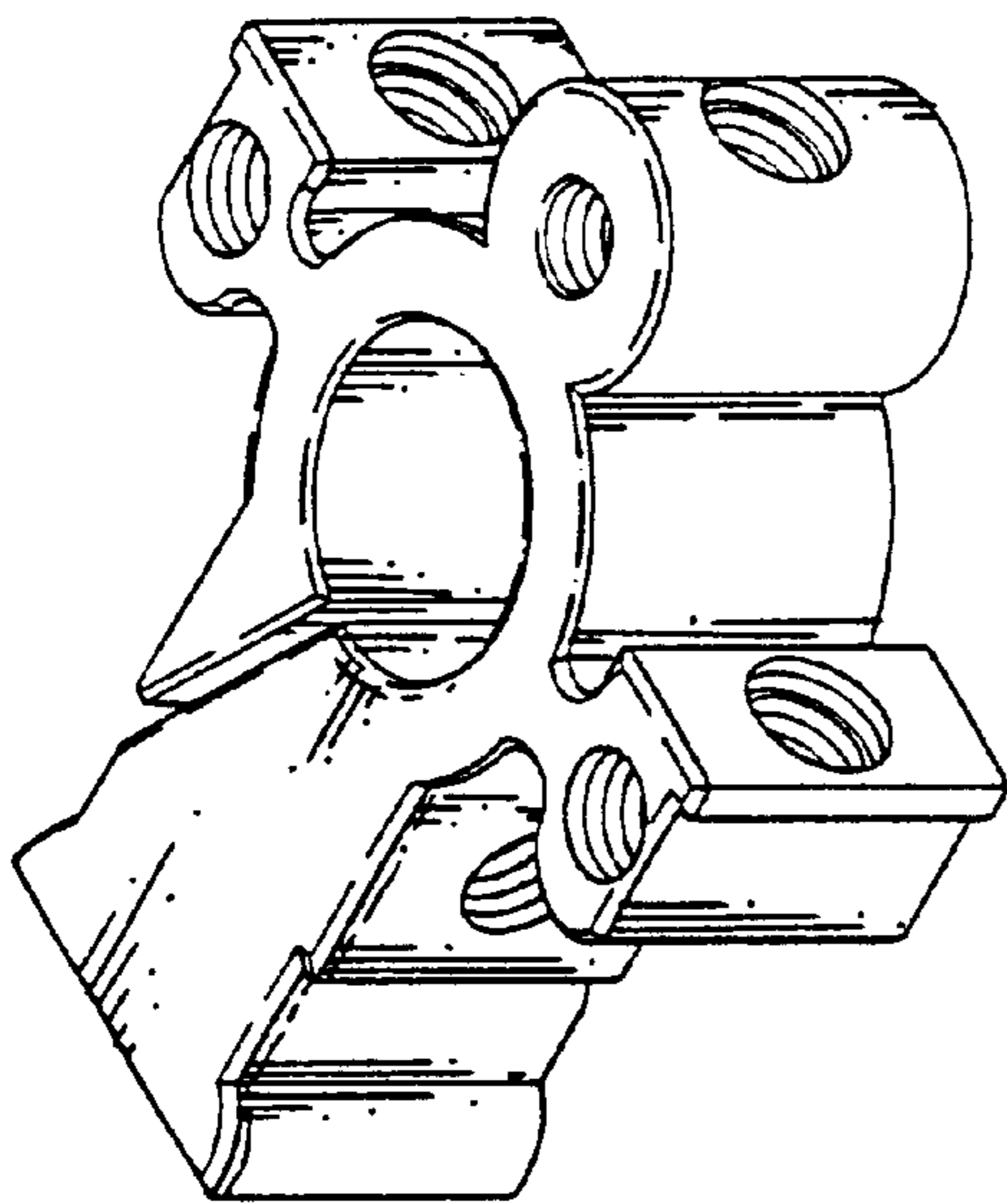


FIG. 1

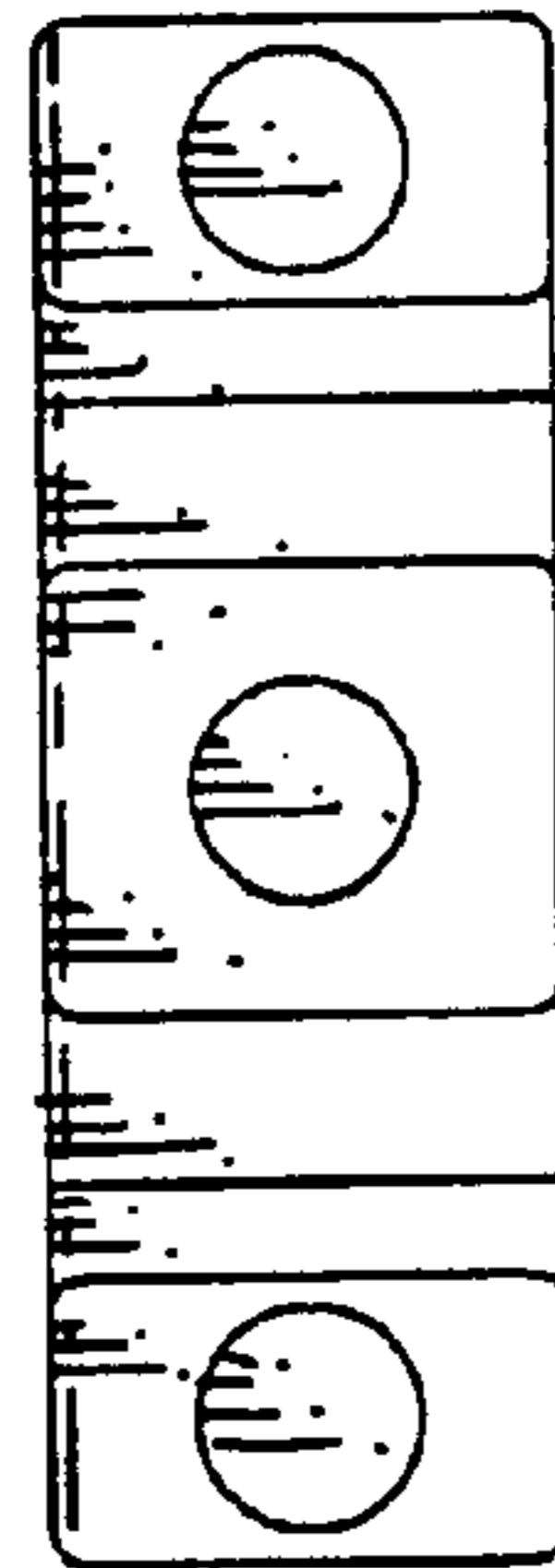


FIG. 2

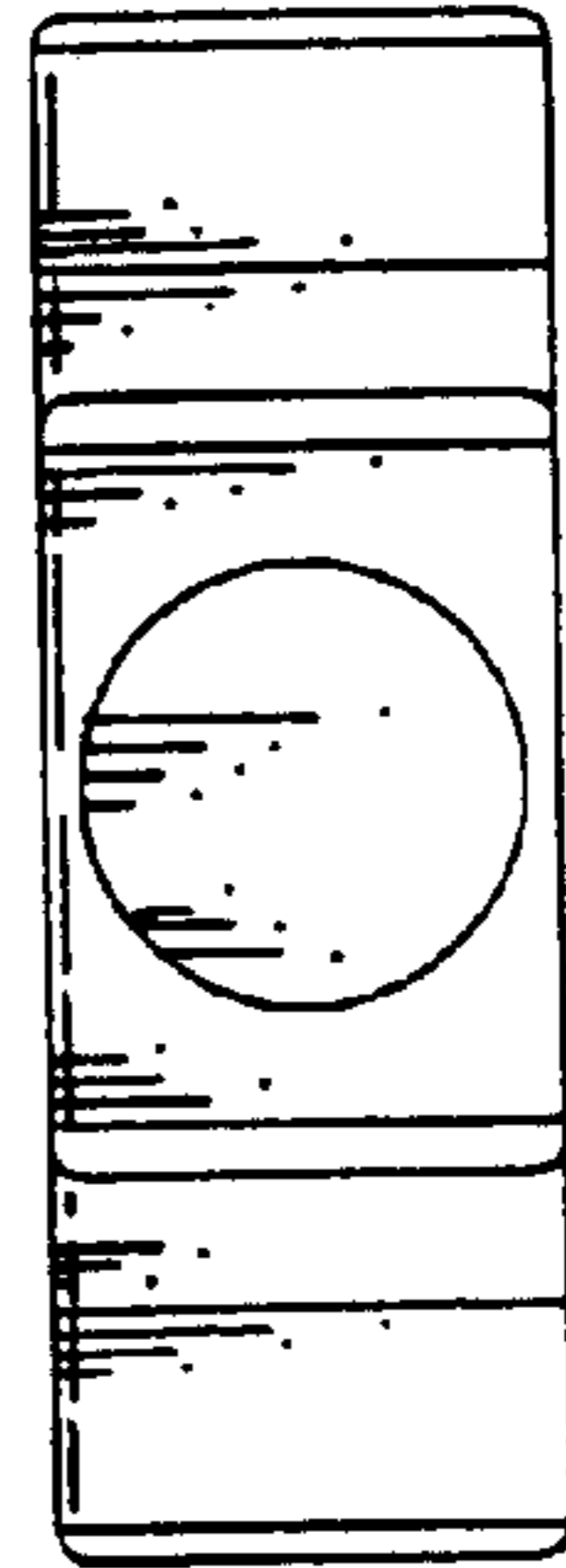


FIG. 3

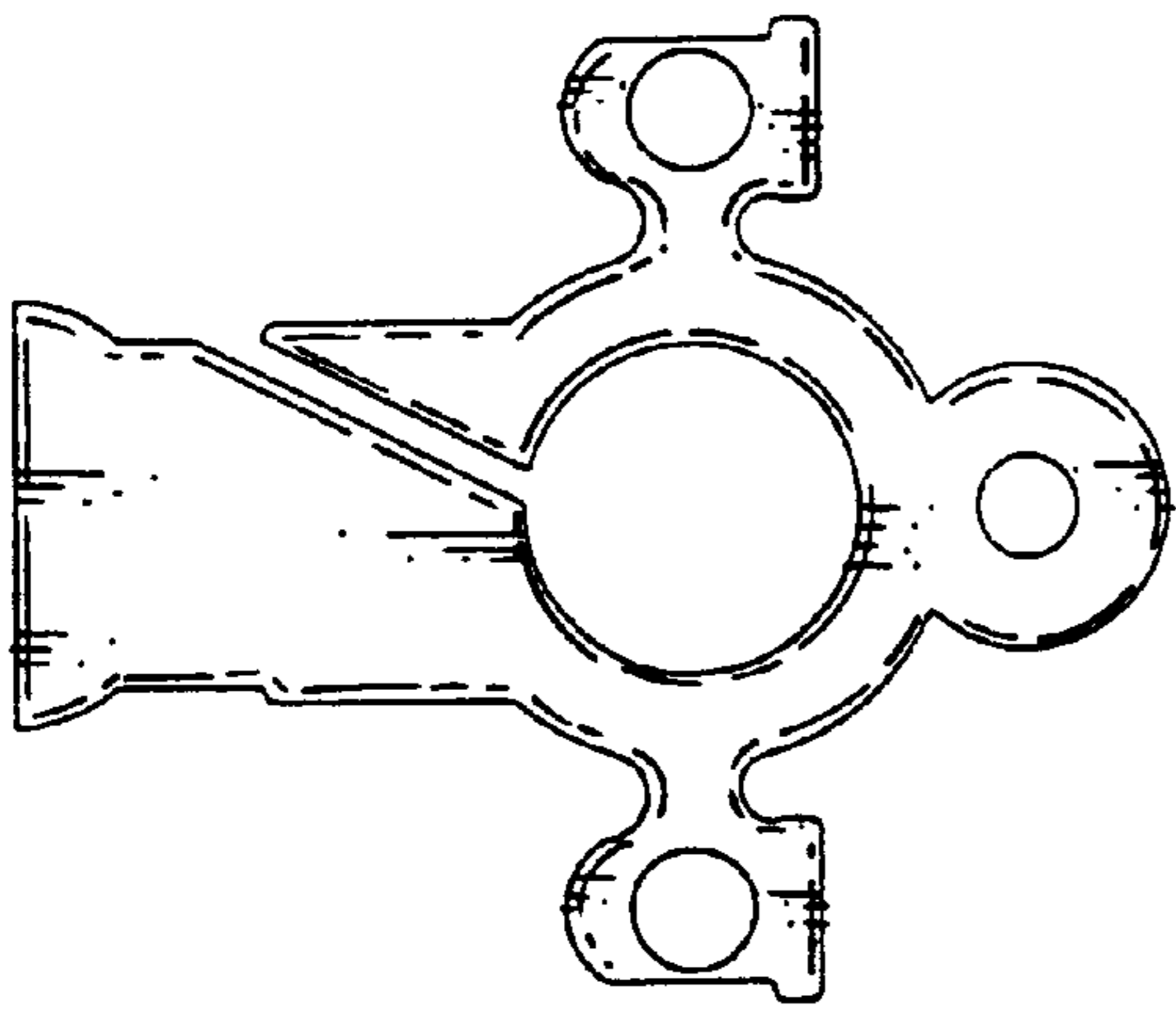


FIG. 4

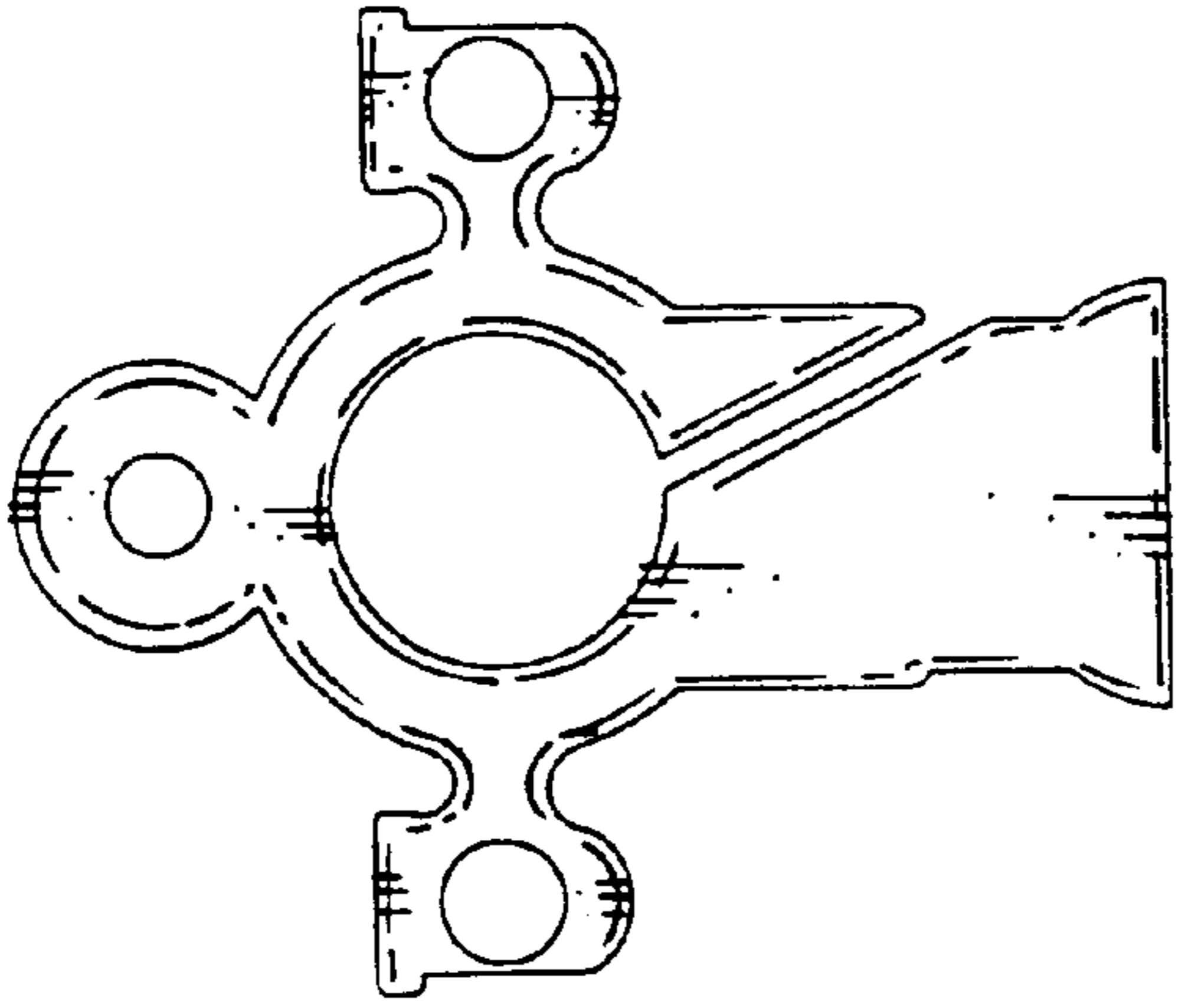


FIG. 5

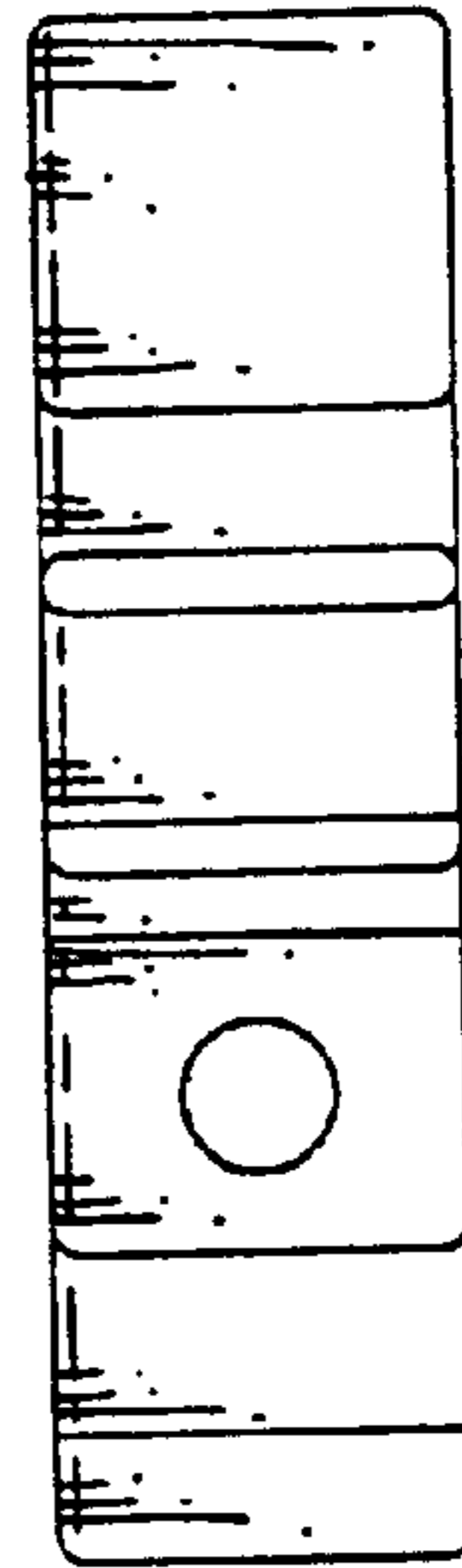


FIG. 6

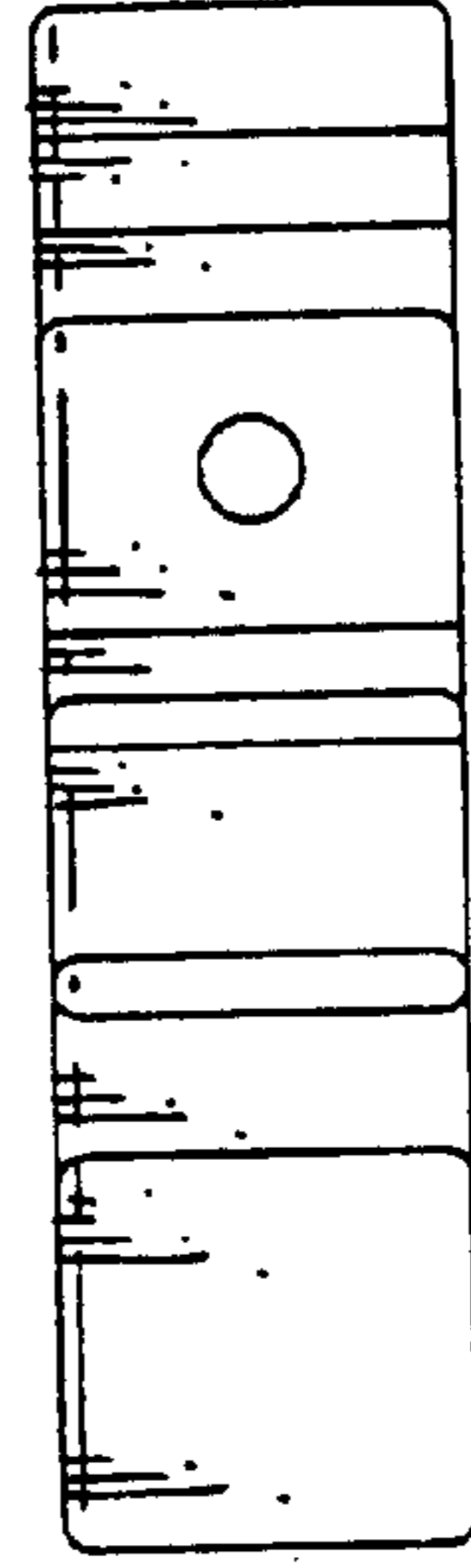


FIG. 7