



US00D461762S

(12) **United States Design Patent**
Scott

(10) **Patent No.:** **US D461,762 S**

(45) **Date of Patent:** **** Aug. 20, 2002**

(54) **VEHICLE OVERHEAD TOOL STORAGE RACK**

(76) **Inventor:** **David P. Scott**, 25659 Garey Rd.,
Denton, MD (US) 21629

(**) **Term:** **14 Years**

(21) **Appl. No.:** **29/143,431**

(22) **Filed:** **Jun. 13, 2001**

(51) **LOC (7) Cl.** **12-16**

(52) **U.S. Cl.** **D12/418**

(58) **Field of Search** D12/406, 412,
D12/415-425; D8/71, 373; 83/273, 905,
315; D6/552, 553, 512; D3/315, 905; 248/309.1;
206/376; 211/70.6-70.8, 60.1-60.4, 70.5,
99-100, 64, 86

(56) **References Cited**

U.S. PATENT DOCUMENTS

- D316,493 S * 4/1991 Martino D6/552
- D333,687 S * 3/1993 Smith D6/552 X
- 5,487,475 A * 1/1996 Knee 211/70.8
- D370,815 S * 6/1996 Guida D6/552
- D378,482 S * 3/1997 Hall, Sr. et al. D6/552

- 5,657,883 A * 8/1997 Badia 211/70.8
- D392,489 S * 3/1998 Ernst D6/571
- D401,213 S * 11/1998 Inchaurregui D12/406
- D404,234 S * 1/1999 Lamb et al. D6/552
- D418,349 S * 1/2000 Schumacher D6/566
- D433,613 S * 11/2000 Jialin D8/71

* cited by examiner

Primary Examiner—Stacia Cadmus

(74) *Attorney, Agent, or Firm*—John D. Gugliotta

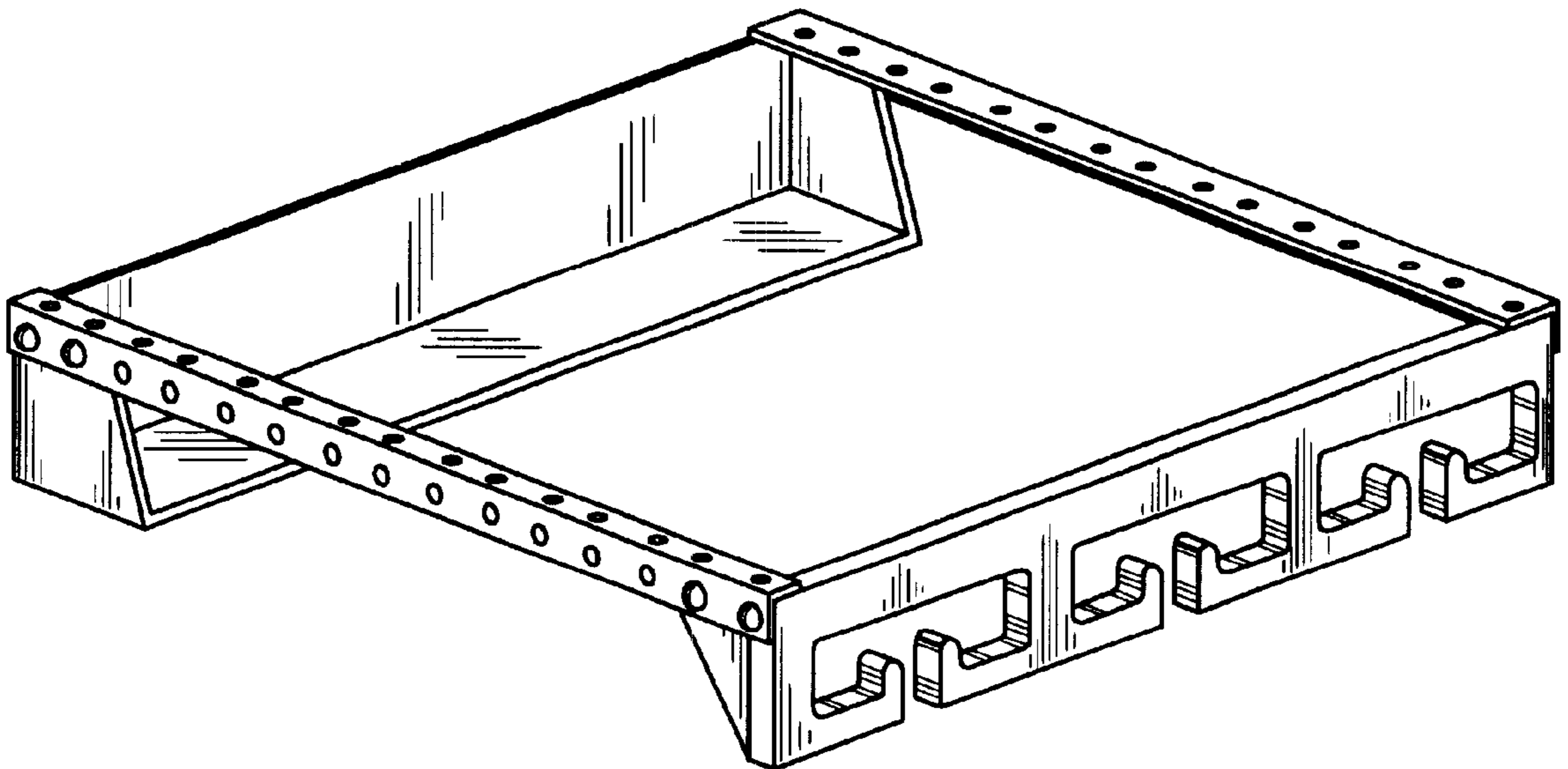
(57) **CLAIM**

The ornamental design for a vehicle overhead tool storage rack, as shown and described.

DESCRIPTION

FIG. 1 is a perspective view of a vehicle overhead tool storage rack showing my new design;
 FIG. 2 is a left side elevational view thereof;
 FIG. 3 is a front elevational view thereof;
 FIG. 4 is a rear elevational view thereof;
 FIG. 5 is a top plan view thereof;
 FIG. 6 is a bottom plan view; and,
 FIG. 7 is an exploded elevational view thereof.

1 Claim, 4 Drawing Sheets



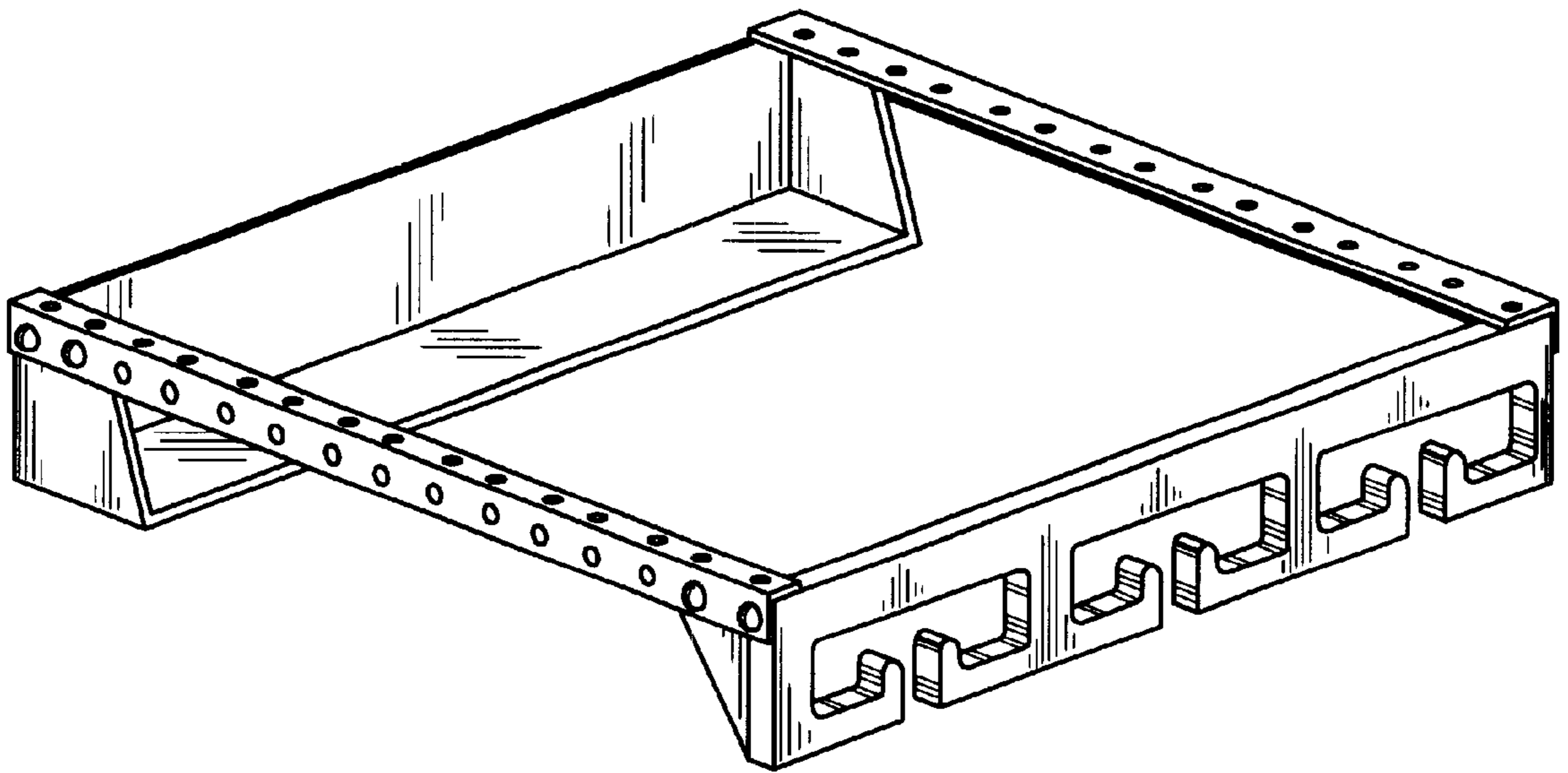


Figure 1

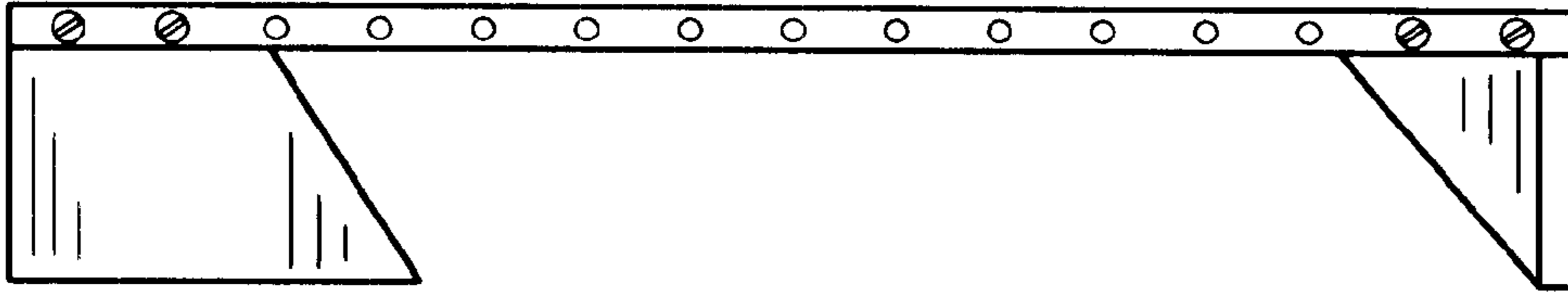


Figure 2

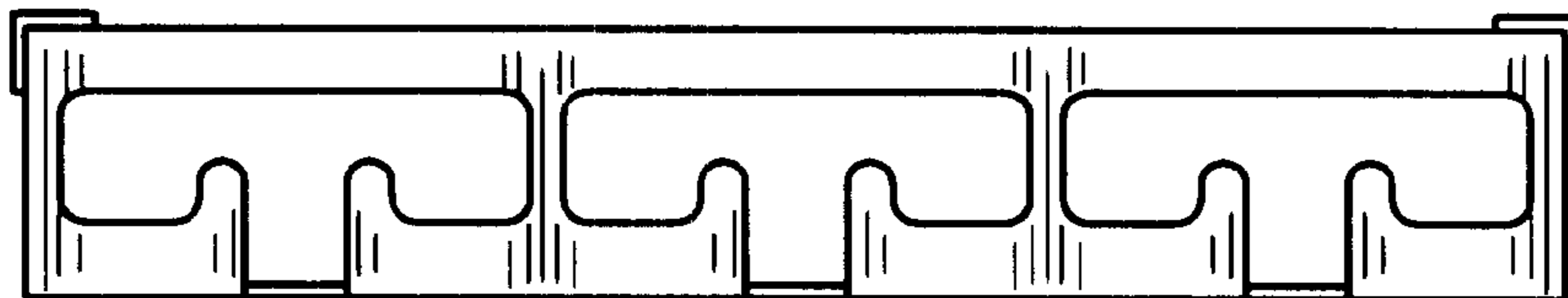


Figure 3

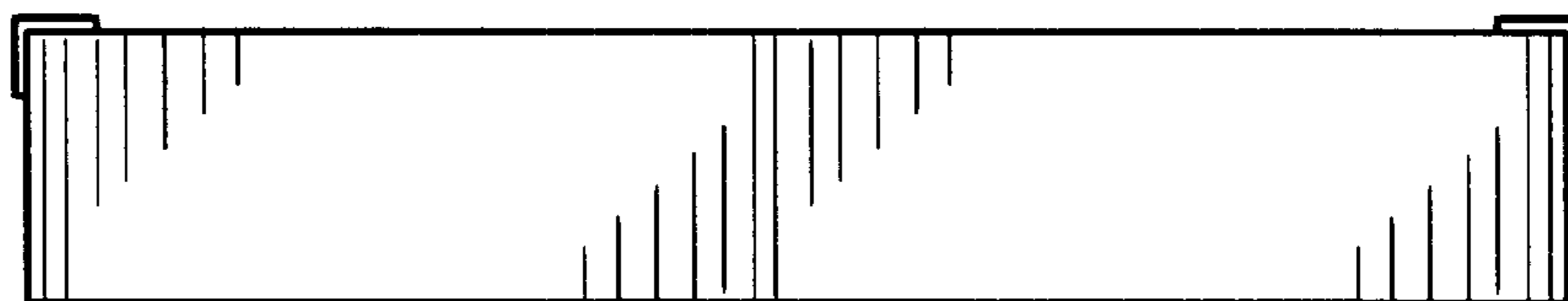


Figure 4

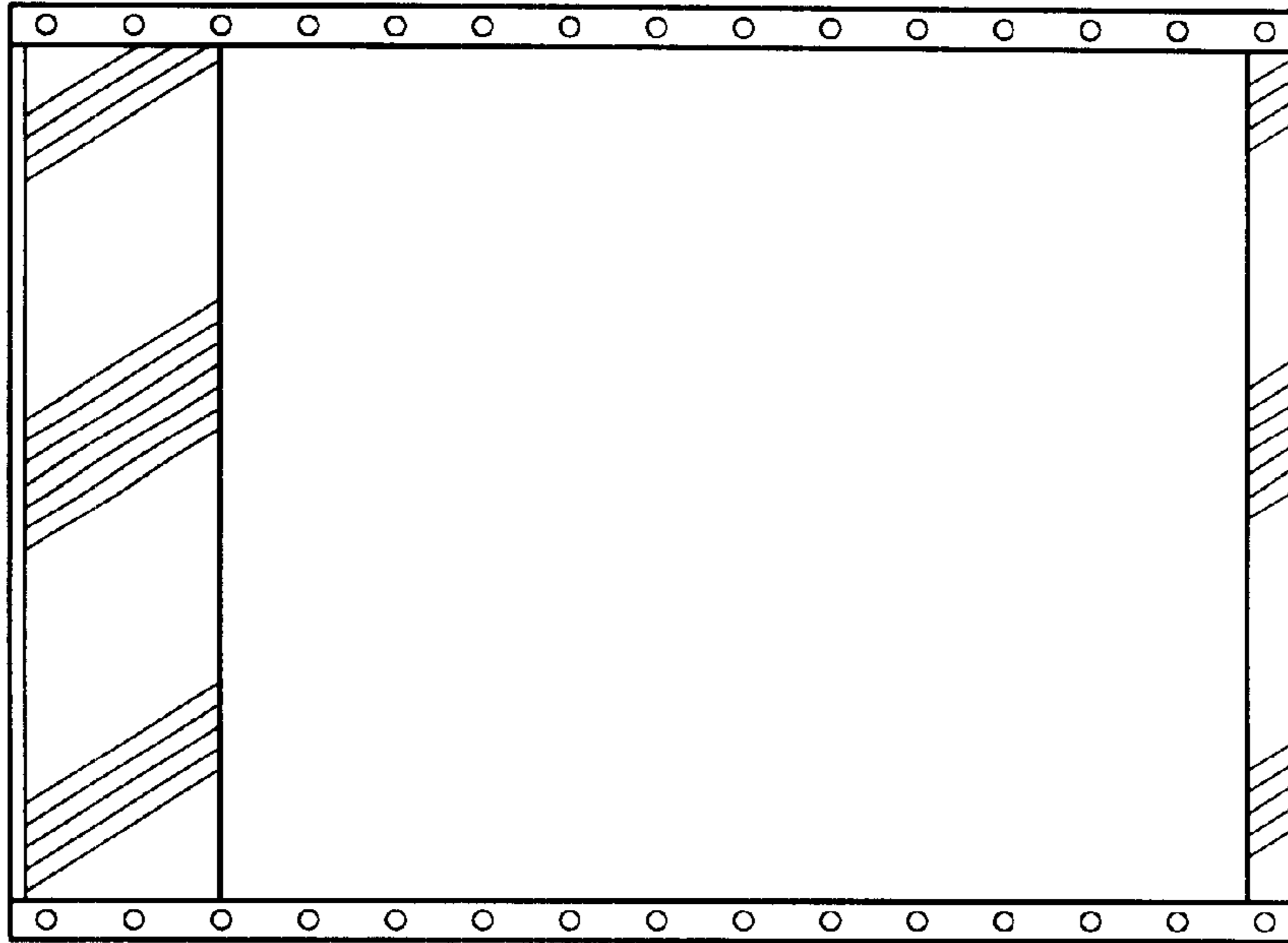


Figure 5

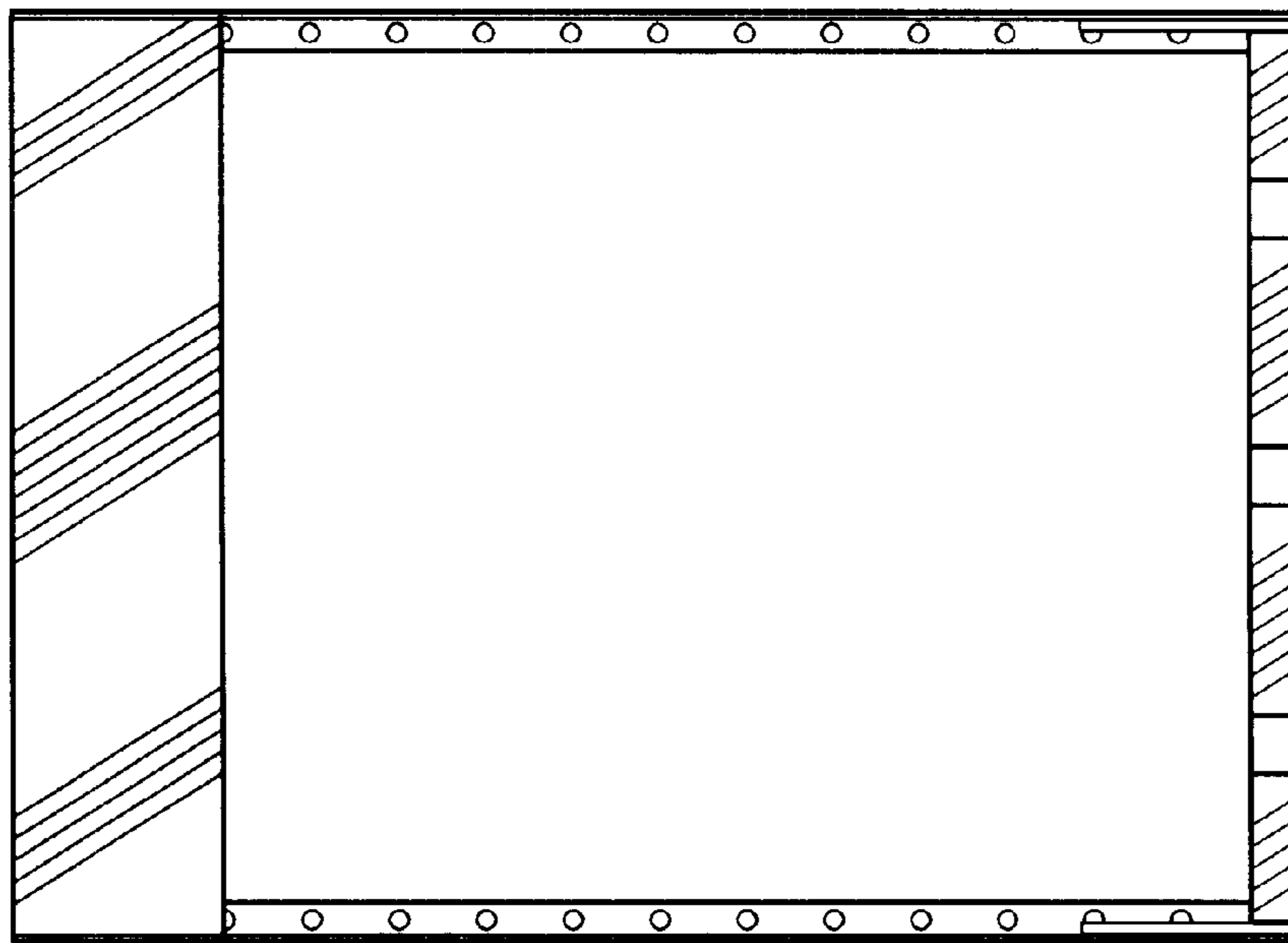


Figure 6

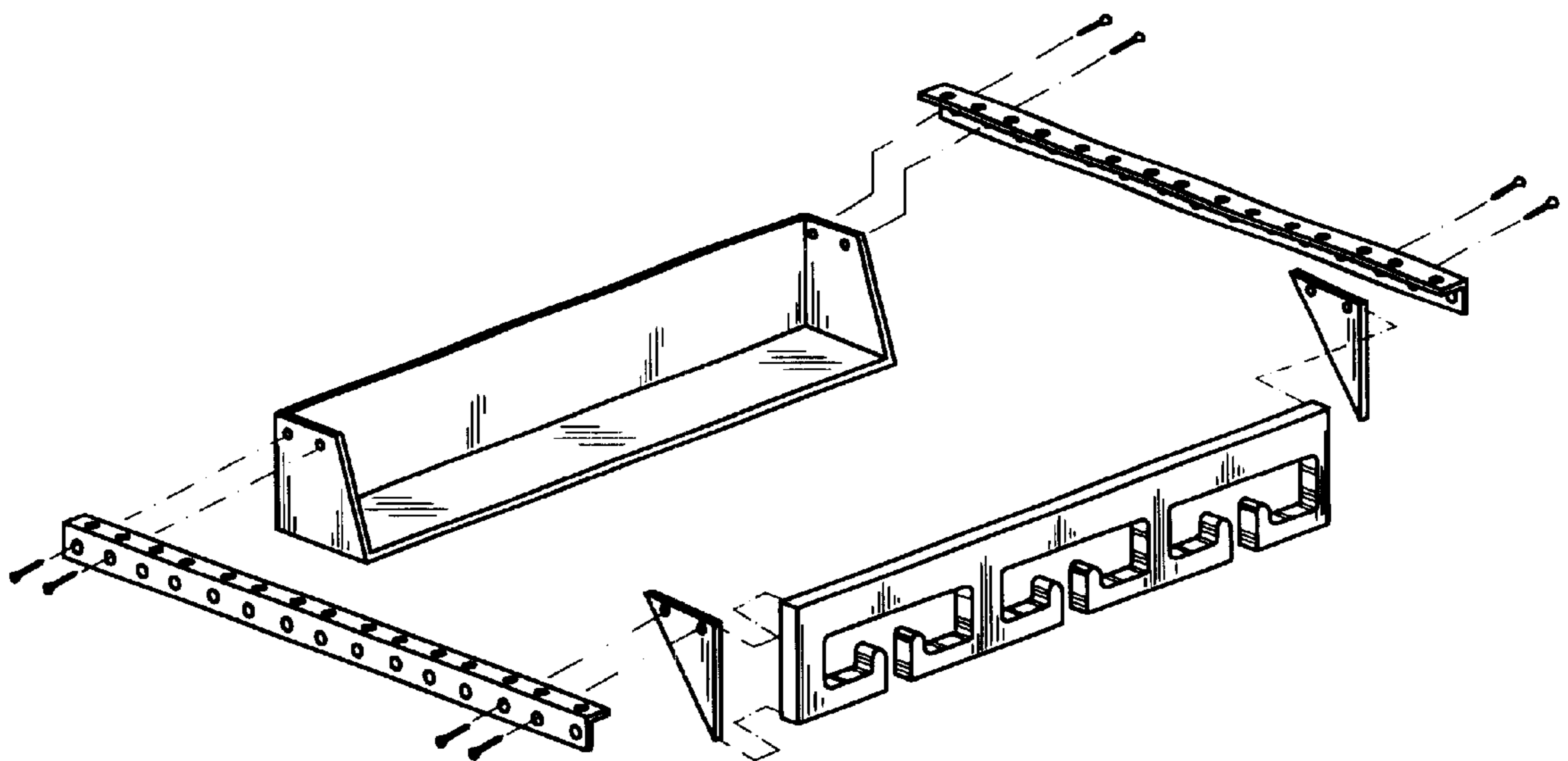


Figure 7