



US00D461757S

(12) **United States Design Patent**
Taneoka

(10) **Patent No.:** **US D461,757 S**

(45) **Date of Patent:** **** Aug. 20, 2002**

- (54) **WHEEL FOR AN AUTOMOBILE**
- (75) Inventor: **Yukio Taneoka, Wako (JP)**
- (73) Assignee: **Honda Giken Kogyo Kabushiki Kaisha, Tokyo (JP)**
- (**) Term: **14 Years**
- (21) Appl. No.: **29/140,899**
- (22) Filed: **Apr. 27, 2001**
- (51) **LOC (7) Cl.** **12-16**
- (52) **U.S. Cl.** **D12/211**
- (58) **Field of Search** **D12/204-211;**
301/37.1, 64.1, 65

D409,546 S	*	5/1999	Stark	D12/209
D412,149 S	*	7/1999	Corioni	D12/211
D428,377 S	*	7/2000	Kubosaki et al.	D12/209
D428,845 S	*	8/2000	Yoshida et al.	D12/211
D430,841 S	*	9/2000	Tanghetti	D12/209
D445,749 S	*	7/2001	Kuninari et al.	D12/209
D451,062 S	*	11/2001	Yoshida	D12/209
D451,063 S	*	11/2001	Yoshida	D12/209
D451,065 S	*	11/2001	Braun	D12/211

* cited by examiner

Primary Examiner—Stacia Cadmus

(74) *Attorney, Agent, or Firm*—Armstrong, Westerman & Hattori, LLP

(57) **CLAIM**

The ornamental design for, a wheel for an automobile, as shown and described.

(56) **References Cited**

U.S. PATENT DOCUMENTS

D214,620 S	*	7/1969	Barris	D12/211
D351,582 S	*	10/1994	Echazabel et al.	D12/209
D361,976 S	*	9/1995	Echazabal et al.	D12/211
D375,073 S	*	10/1996	Theiss	D12/209
D383,429 S	*	9/1997	Muzzarelli et al.	D12/211
D388,390 S	*	12/1997	Chung	D12/209
D390,180 S	*	2/1998	Dehner	D12/209
D395,863 S	*	7/1998	Sacco et al.	D12/211
D401,205 S	*	11/1998	Fischer	D12/209

DESCRIPTION

FIG. 1 is a front view of a wheel for an automobile according to my new design;
 FIG. 2 is a top plan view thereof;
 FIG. 3 is a bottom view thereof;
 FIG. 4 is a left side view thereof, the right side being symmetrically the same; and,
 FIG. 5 is a front perspective view thereof.

1 Claim, 3 Drawing Sheets

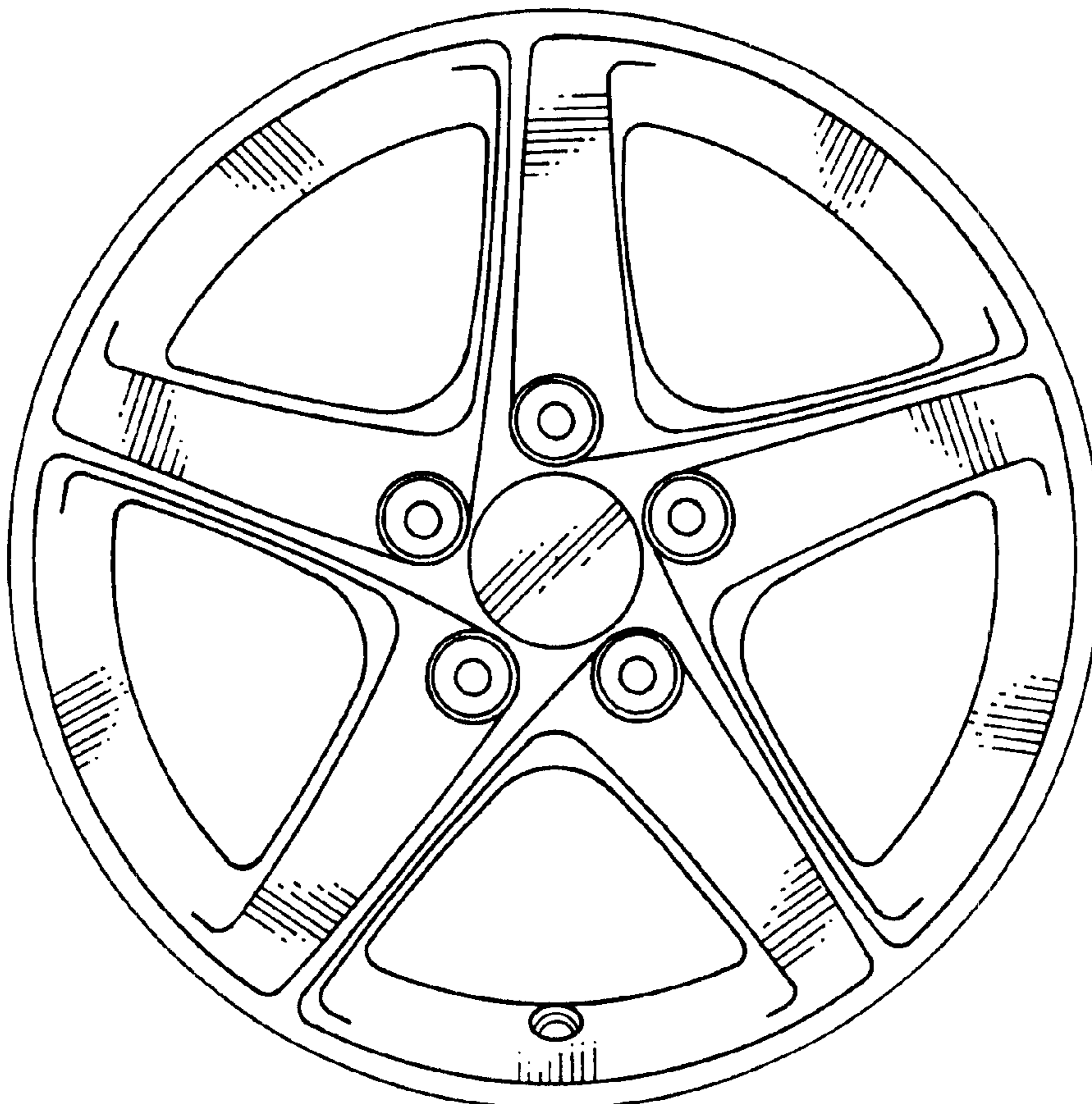


FIG. 1

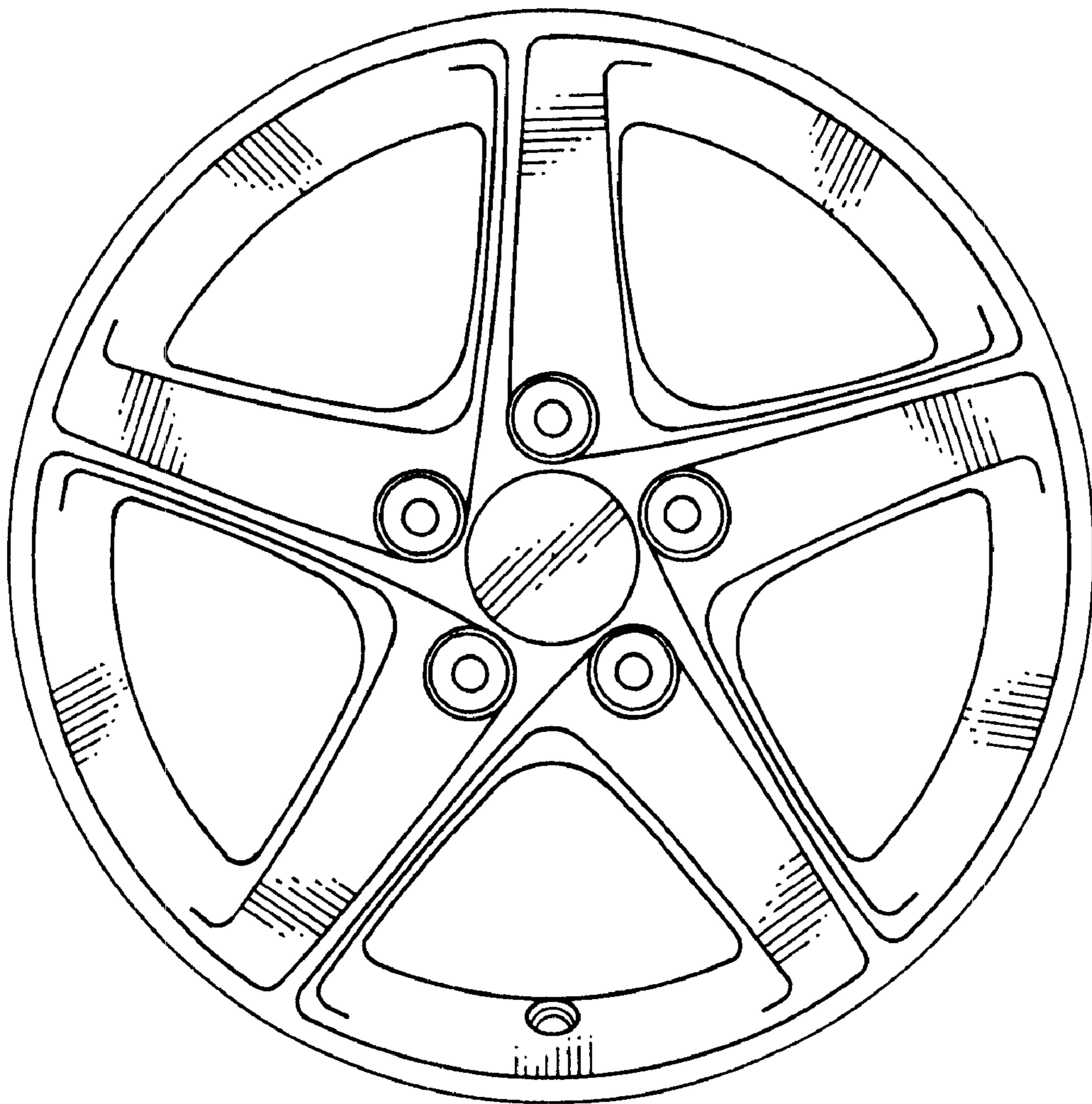


FIG.2

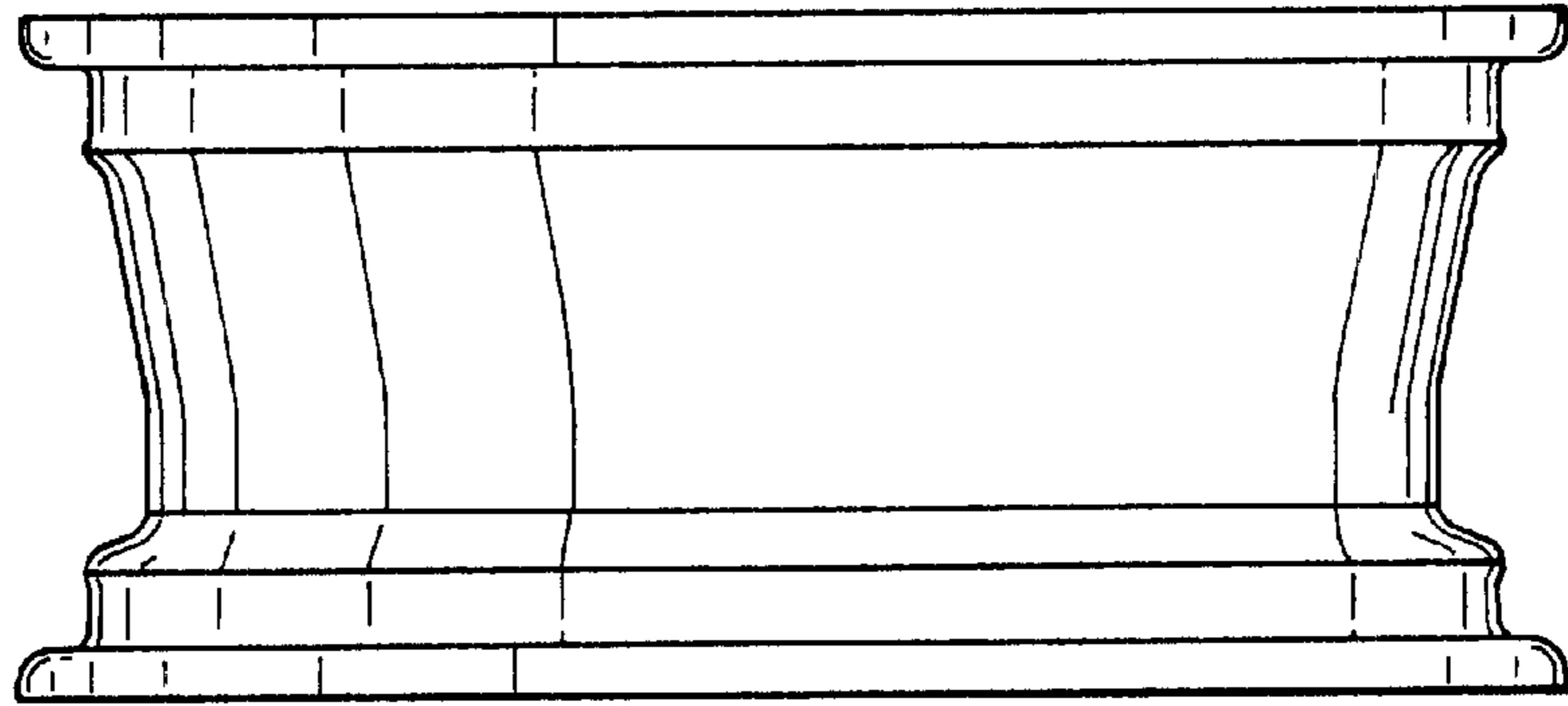


FIG.3

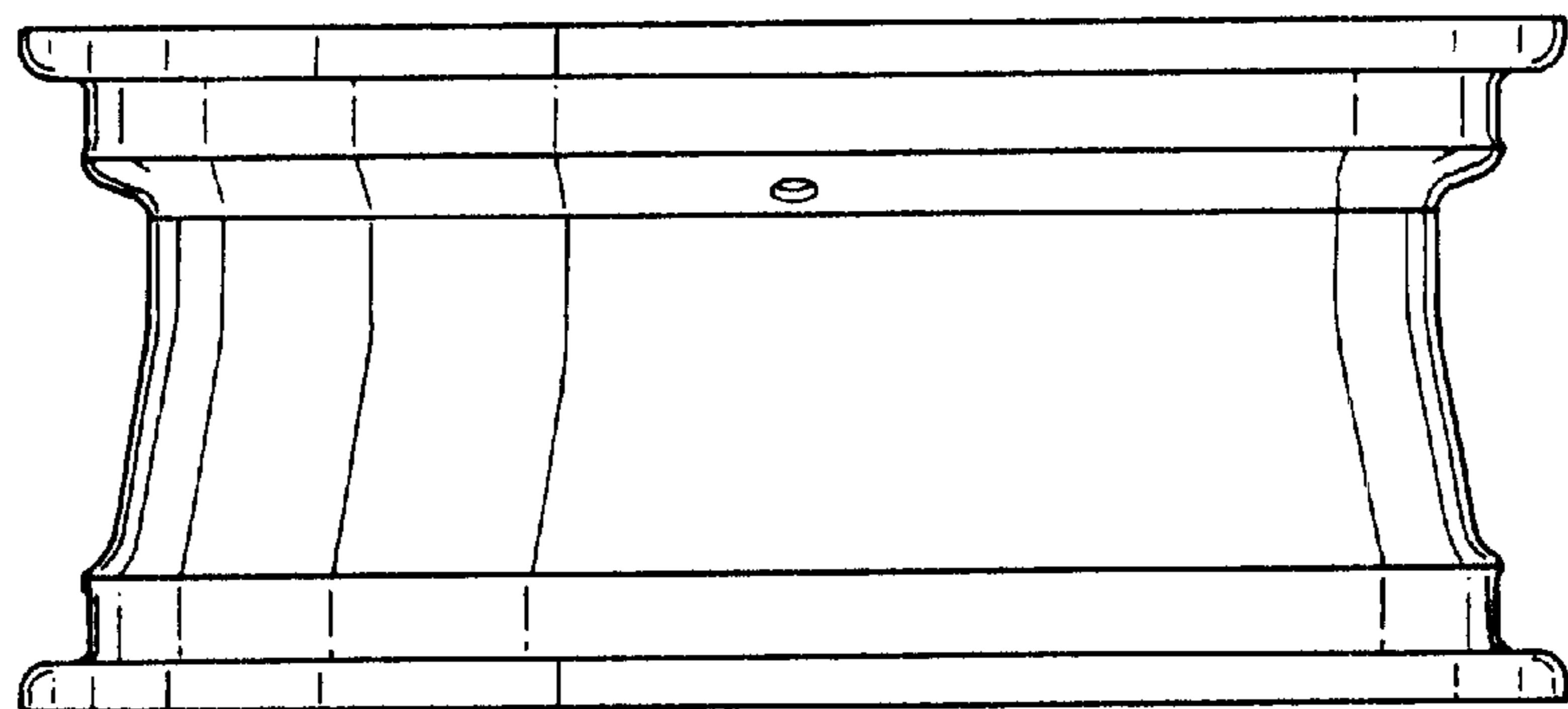


FIG.4

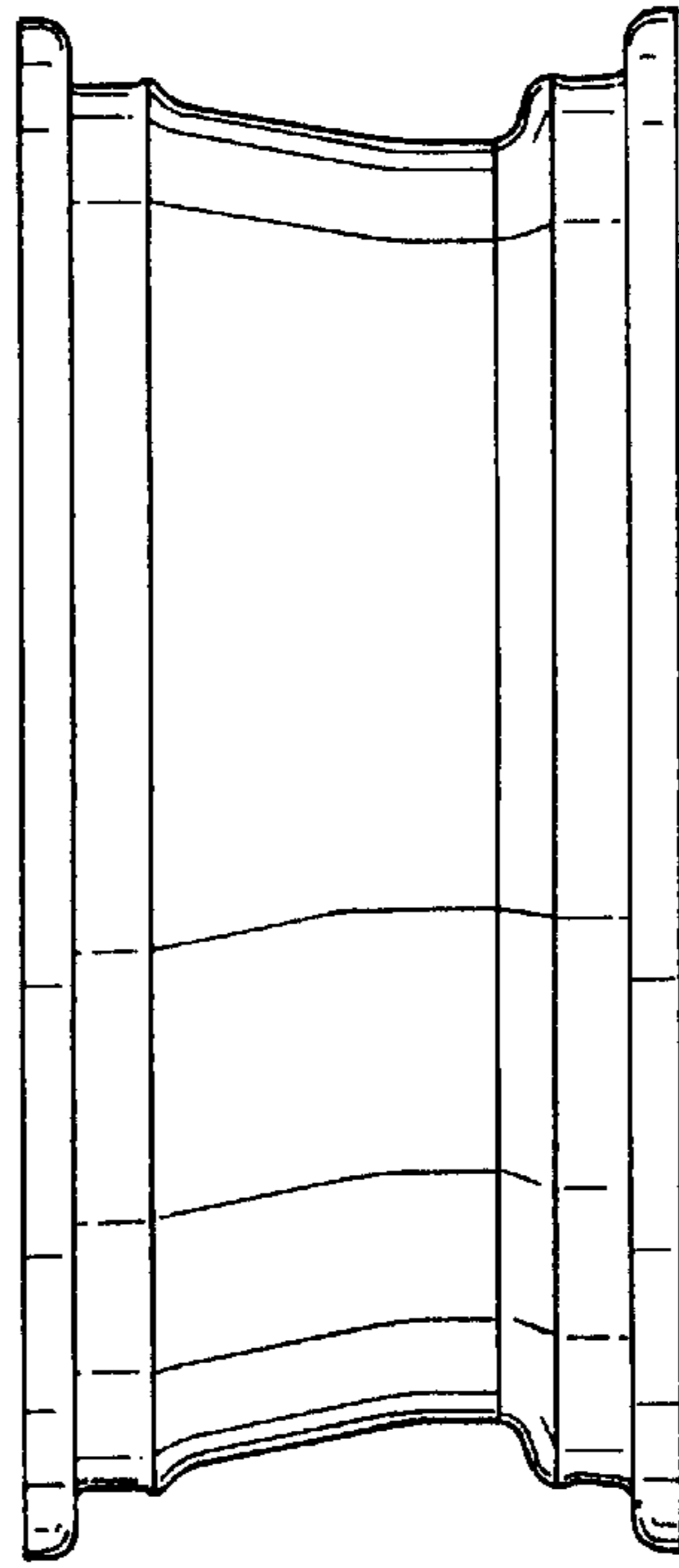


FIG.5

