

US00D461747S

(12) **United States Design Patent**
Martin

(10) **Patent No.:** **US D461,747 S**

(45) **Date of Patent:** **** Aug. 20, 2002**

(54) **LIGHT WATERCRAFT TRAILER**

D434,701 S * 12/2000 Patmont D12/101

(76) **Inventor:** **James A. Martin**, 920 N. Front St.,
Rockwood, TN (US) 37854

* cited by examiner

(**) **Term:** **14 Years**

Primary Examiner—Melody N. Brown
(74) *Attorney, Agent, or Firm*—Pitts & Brittan, PC

(21) **Appl. No.:** **29/148,927**

(57) **CLAIM**

(22) **Filed:** **Sep. 28, 2001**

The ornamental design for a light watercraft trailer, as shown and described.

(51) **LOC (7) Cl.** **12-10**

DESCRIPTION

(52) **U.S. Cl.** **D12/101**

(58) **Field of Search** D12/101; 280/414.1,
280/414.3, 462, 482, 483, 529

FIG. 1 is a perspective view of a light watercraft trailer of the present invention;

FIG. 2 is a front elevation view thereof;

FIG. 3 is a rear elevation view thereof;

FIG. 4 is a left side elevation view thereof, the right side elevation view being a mirror image thereof;

FIG. 5 is a top plan view thereof; and,

FIG. 6 is a bottom plan view thereof.

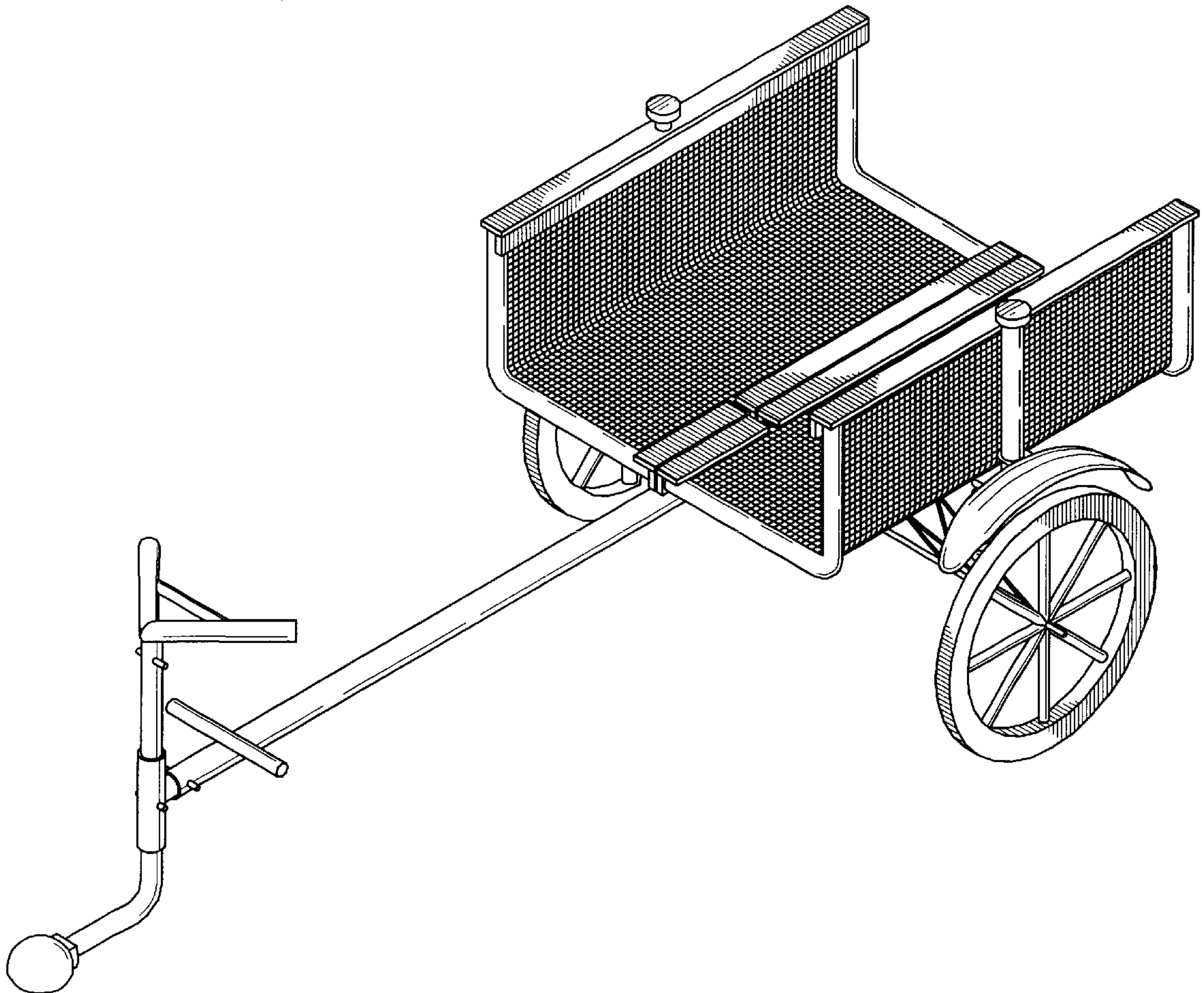
The broken lines shown in FIG. 4 are for illustrative purposes only and form no part of the claimed design.

(56) **References Cited**

U.S. PATENT DOCUMENTS

4,824,127	A	4/1989	Stamm	
5,320,371	A	6/1994	Levad	
5,417,447	A	* 5/1995	Godbersen 280/414.1
D369,329	S	* 4/1996	Harris et al. D12/101
5,518,261	A	* 5/1996	Godbersen 280/414.1
D377,156	S	* 1/1997	Muir D12/101
D390,814	S	* 2/1998	Weinacht D12/101

1 Claim, 4 Drawing Sheets



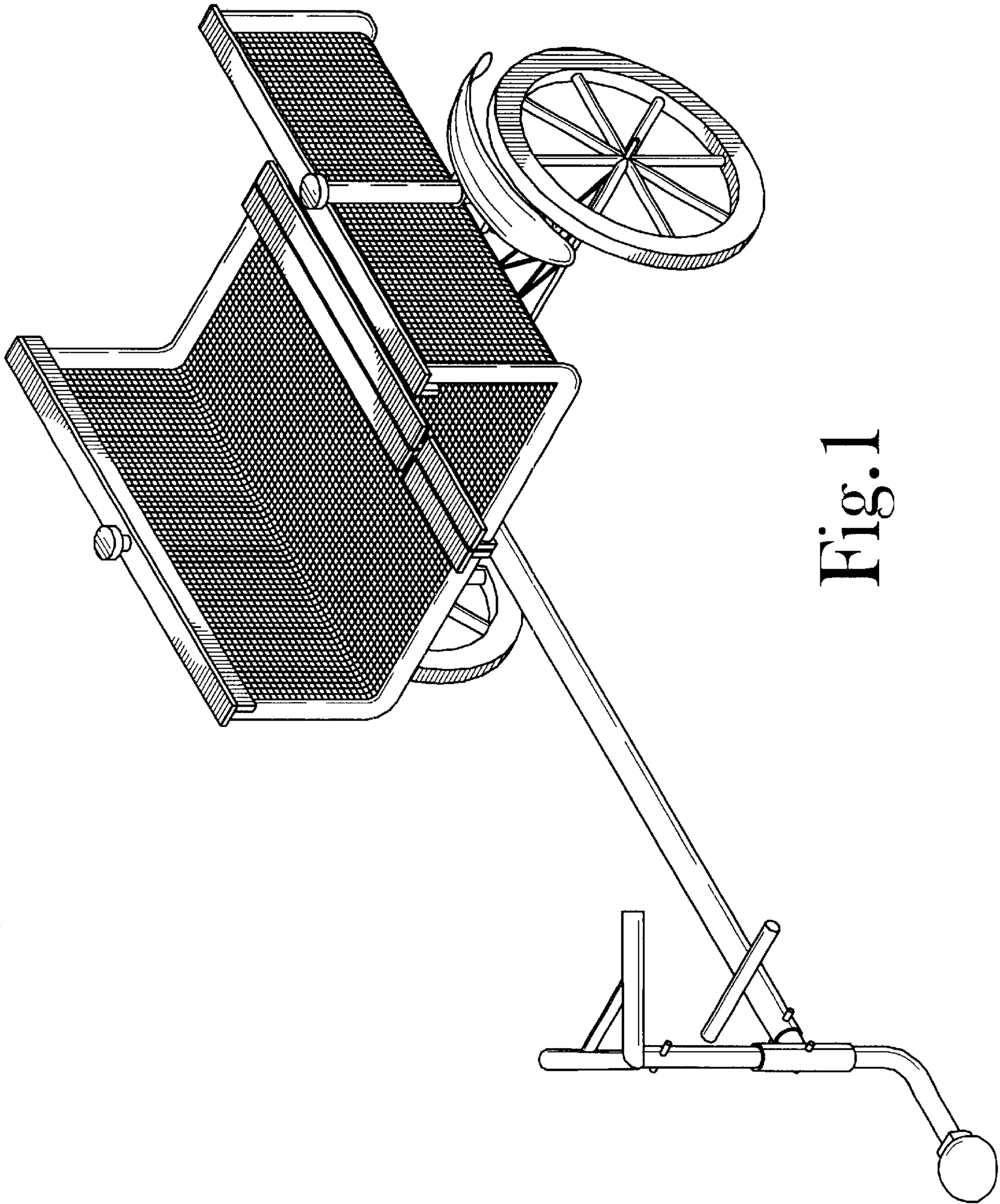


Fig. 1

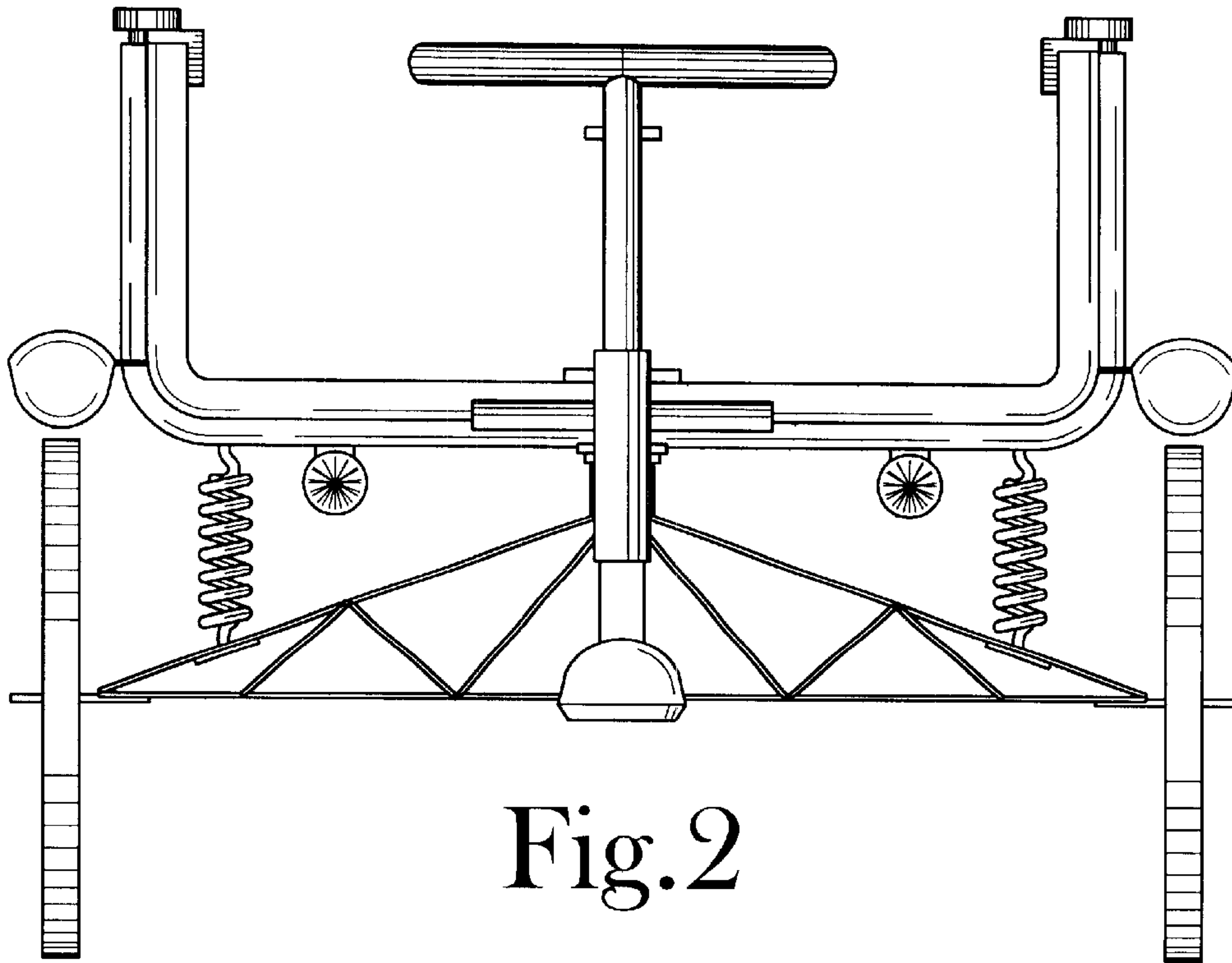


Fig. 2

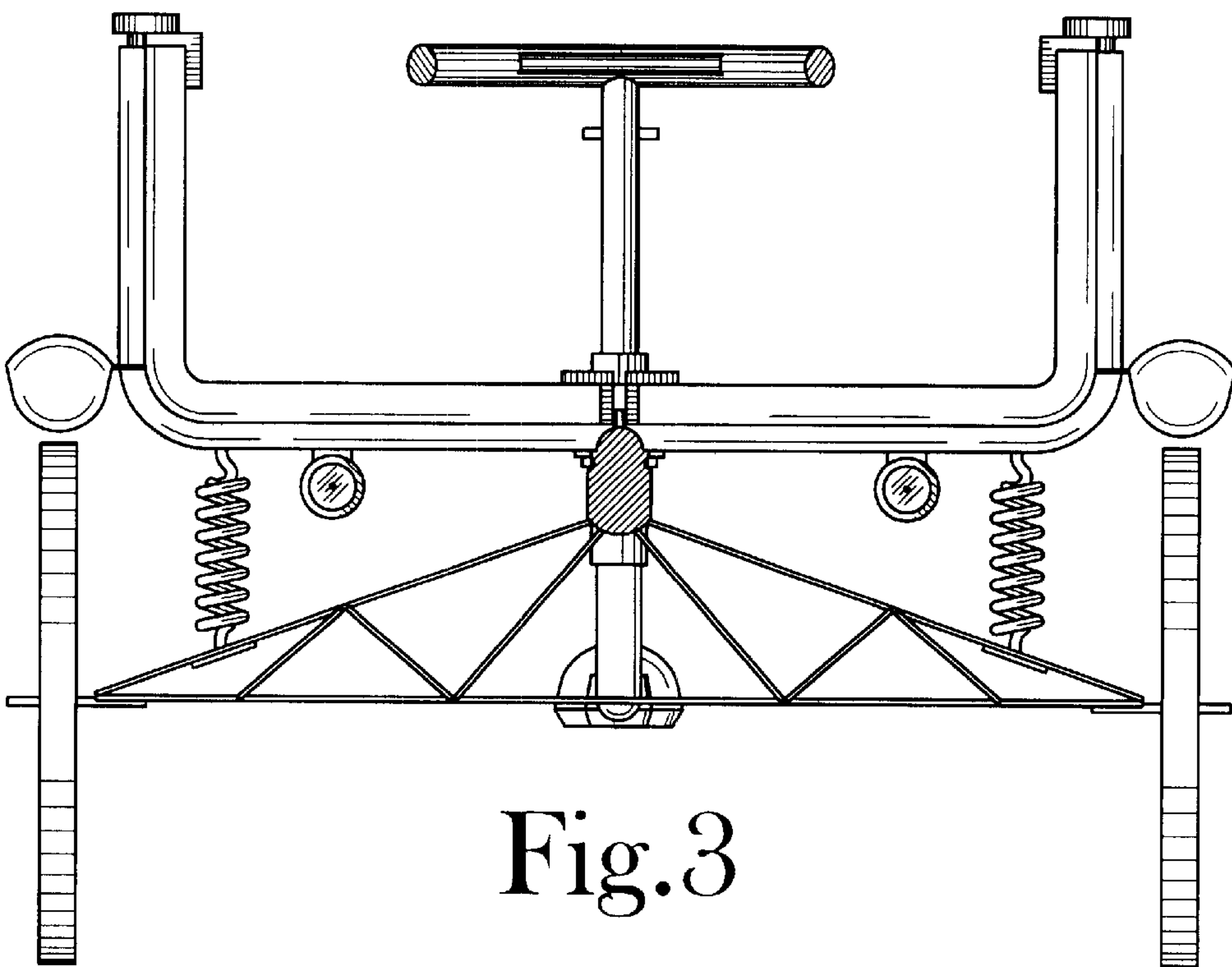


Fig. 3

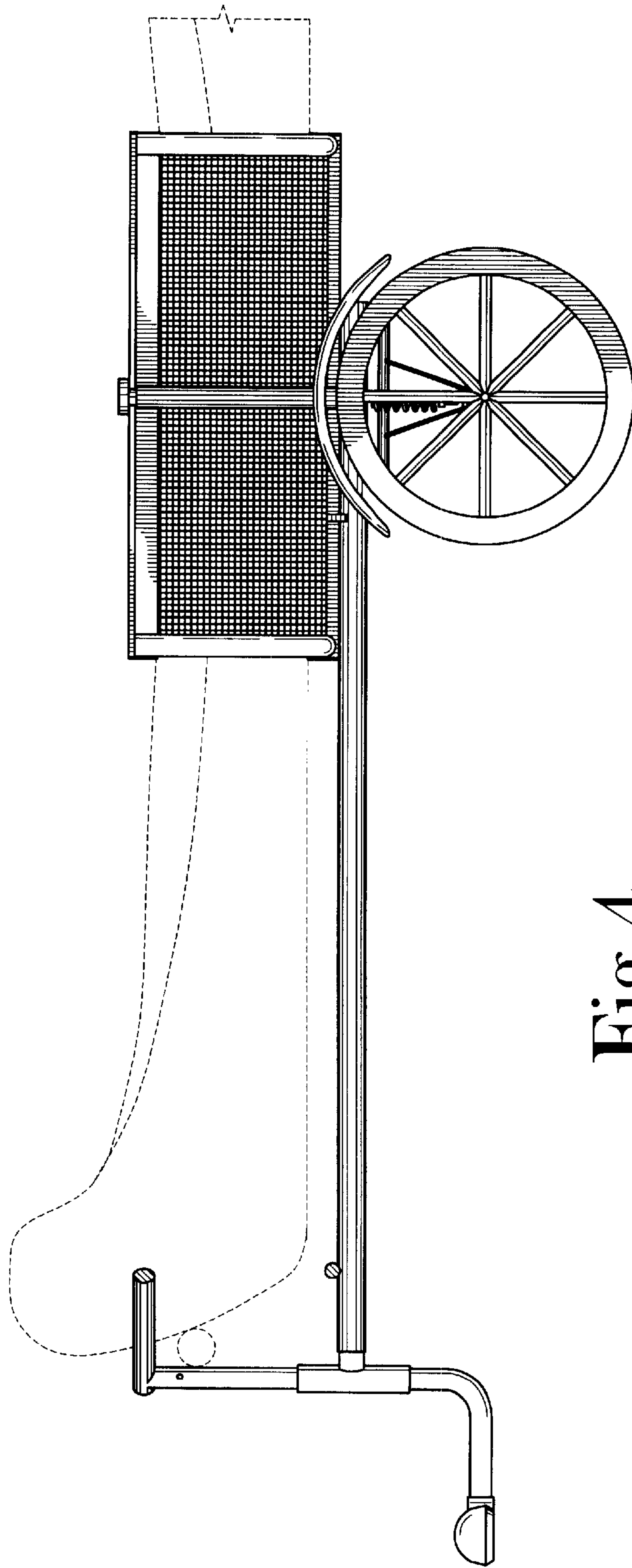


Fig. 4

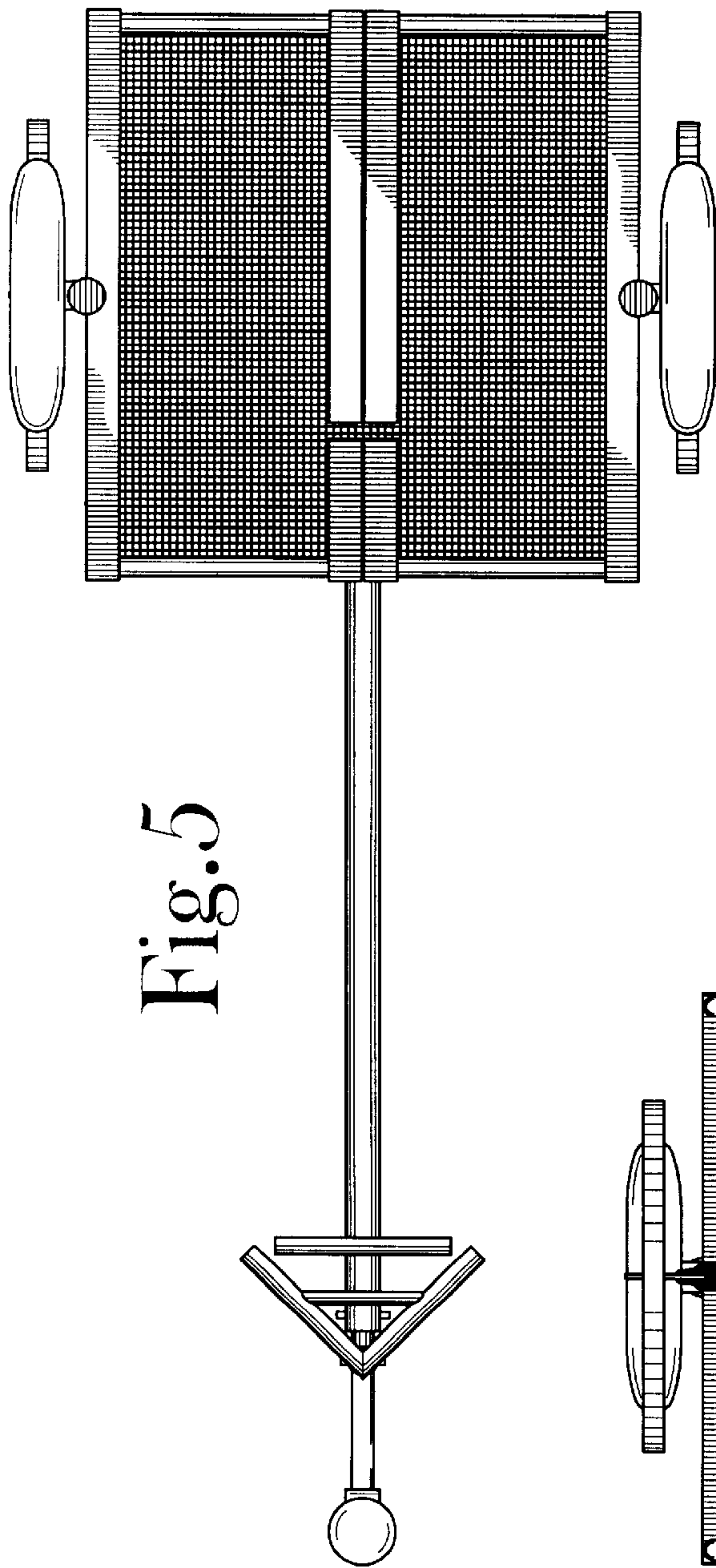


Fig. 5

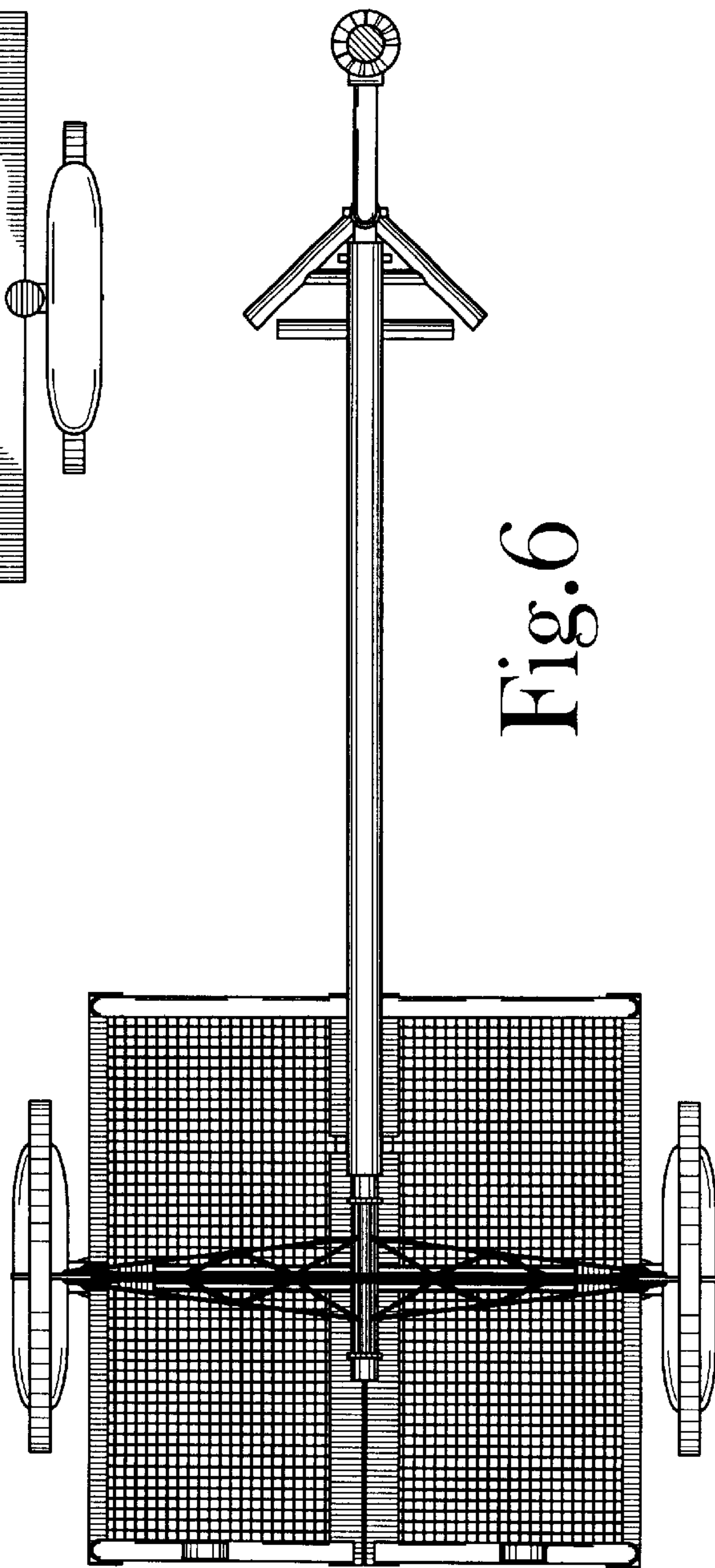


Fig. 6