



US00D461744S

(12) **United States Design Patent**  
**Jain**

(10) **Patent No.:** **US D461,744 S**

(45) **Date of Patent:** **\*\* Aug. 20, 2002**

(54) **AWARD ORNAMENTATION**

(75) Inventor: **Vinod Kumar Jain**, Darwin (AU)

(73) Assignee: **Win Five International Pty Ltd.**,  
Wagaman (AU)

(\*\*) Term: **14 Years**

(21) Appl. No.: **29/146,900**

(22) Filed: **Aug. 17, 2001**

(51) **LOC (7) Cl.** ..... **11-02**

(52) **U.S. Cl.** ..... **D11/164**

(58) **Field of Search** ..... D11/117, 131,  
D11/164; 428/542.2-542.6

(56) **References Cited**

**U.S. PATENT DOCUMENTS**

|             |   |         |                 |       |           |
|-------------|---|---------|-----------------|-------|-----------|
| D167,343 S  | * | 7/1952  | Fosler et al.   | ..... | D11/164   |
| D260,747 S  | * | 9/1981  | Malina          | ..... | D11/131   |
| D280,889 S  | * | 10/1985 | Bulone          | ..... | D11/164   |
| D407,042 S  | * | 3/1999  | Pierce          | ..... | D11/164   |
| D409,113 S  | * | 5/1999  | Tam             | ..... | D11/164   |
| D414,718 S  | * | 10/1999 | Tam             | ..... | D11/164   |
| 6,042,904 A | * | 3/2000  | Grenblat et al. | ..... | 428/542.4 |
| D427,546 S  | * | 7/2000  | Tam             | ..... | D11/164   |

\* cited by examiner

*Primary Examiner*—Dominic Simone

(74) *Attorney, Agent, or Firm*—Kinney & Lange, P.A.

(57) **CLAIM**

The ornamental design for an award ornamentation, as shown and described.

**DESCRIPTION**

FIG. 1 is a perspective view, as taken from the front and left side of the award ornamentation of the present invention.

FIG. 2 is a front elevation view of the award ornamentation of FIG. 1.

FIG. 3 is a top view of the award ornamentation of FIG. 1.

FIG. 4 is a back view of the award ornamentation of FIG. 1.

FIG. 5 is a bottom view of the award ornamentation of FIG. 1.

FIG. 6 is a side view, as taken from the right side of FIG. 2 (the side view from the left side is a mirror image thereof).

FIG. 7 is a perspective view, from the front and left side of a second embodiment of the award ornamentation of the present invention.

FIG. 8 is a front elevation view of the award ornamentation of FIG. 7.

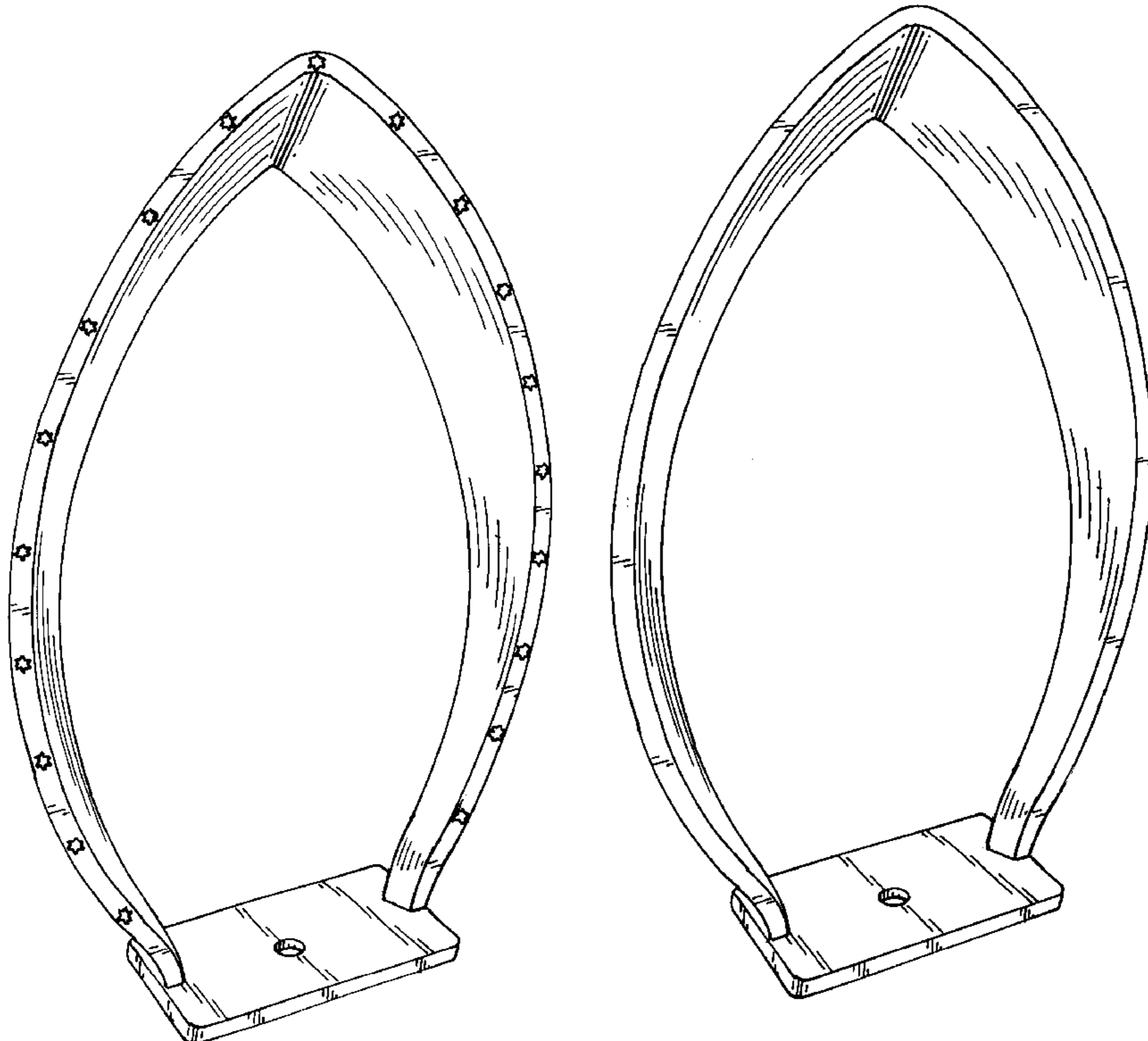
FIG. 9 is a top view of the award ornamentation of FIG. 7.

FIG. 10 is a back view of the award ornamentation of FIG. 7.

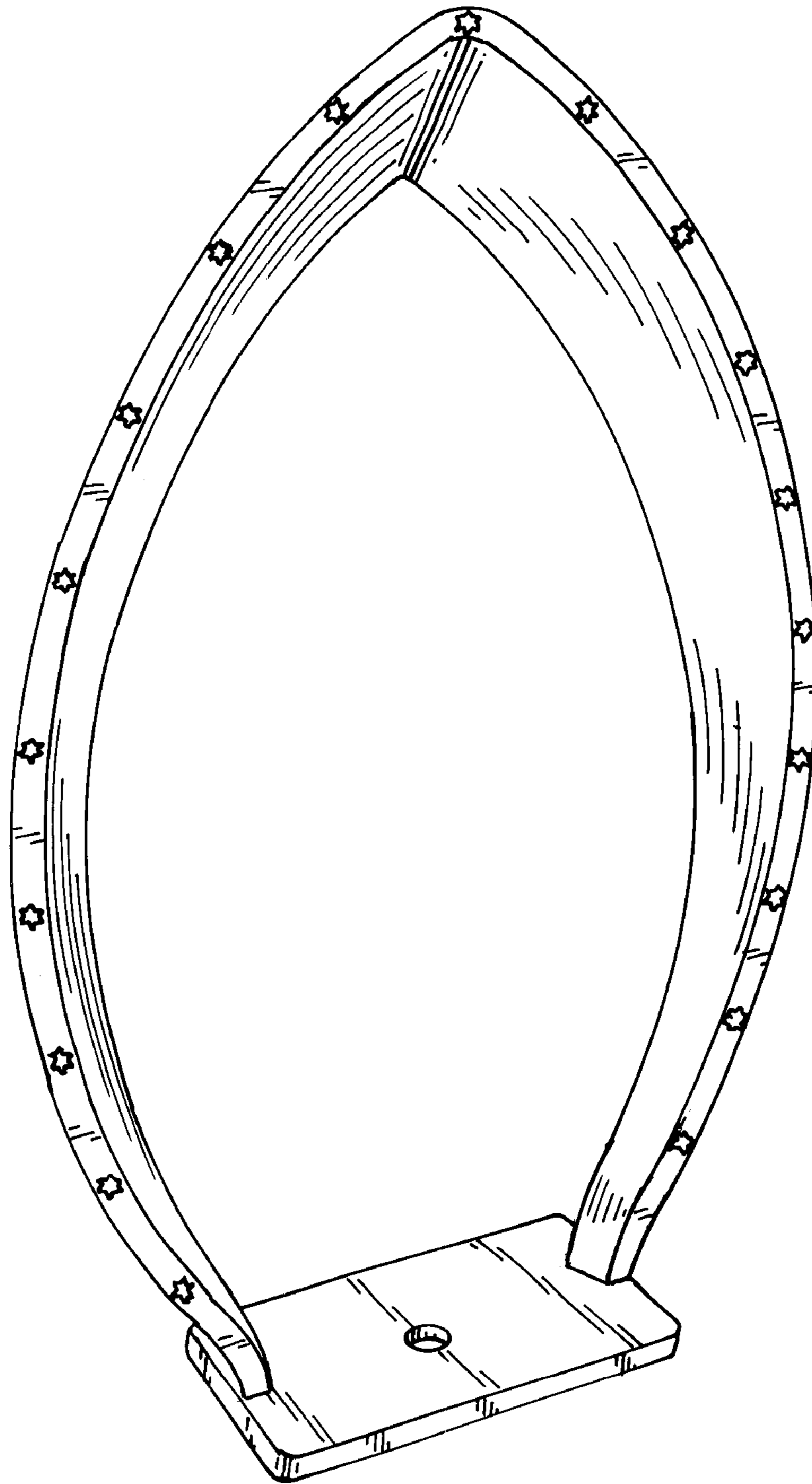
FIG. 11 is a bottom view of the award ornamentation of FIG. 7; and,

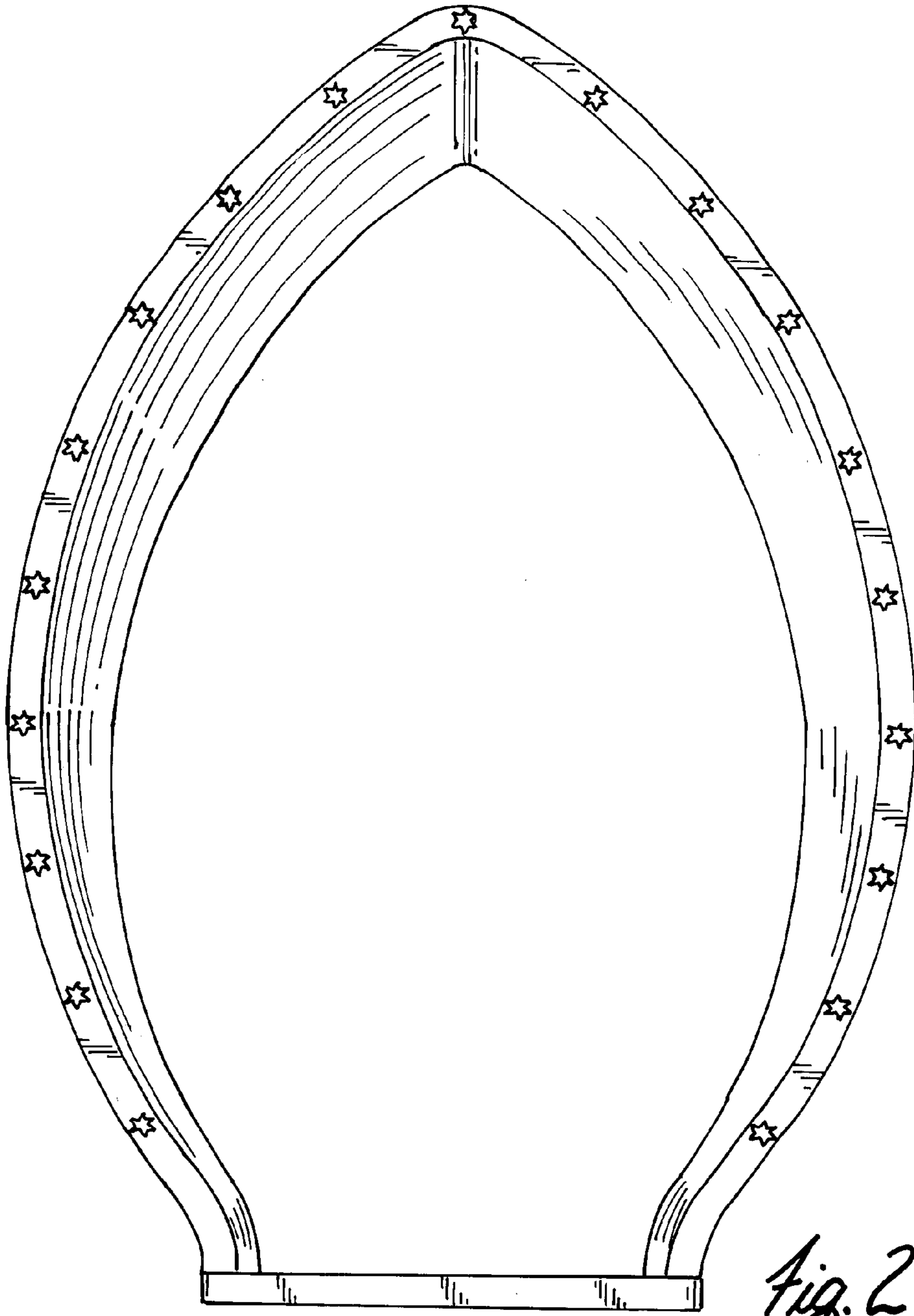
FIG. 12 is a side view, as taken from the right side of FIG. 8 (the side view from the left side is a mirror image thereof).

**1 Claim, 8 Drawing Sheets**

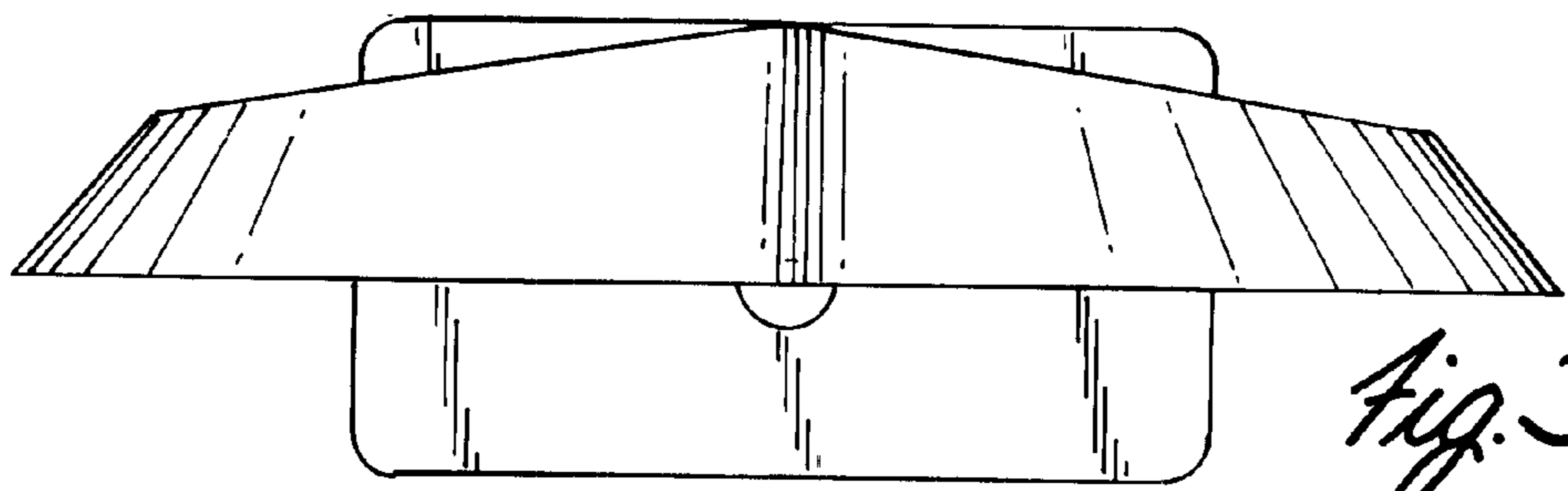


*Fig. 1*

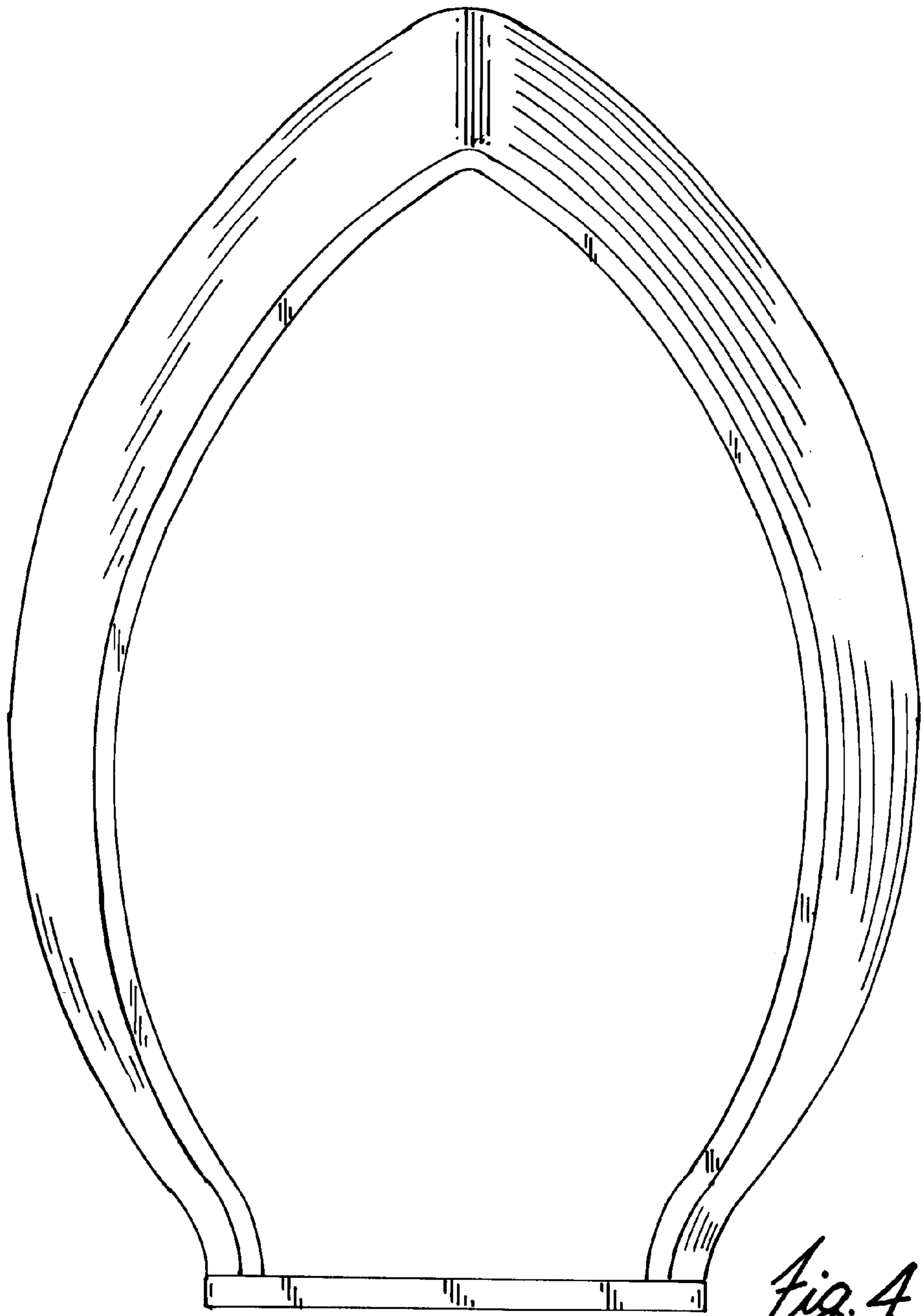




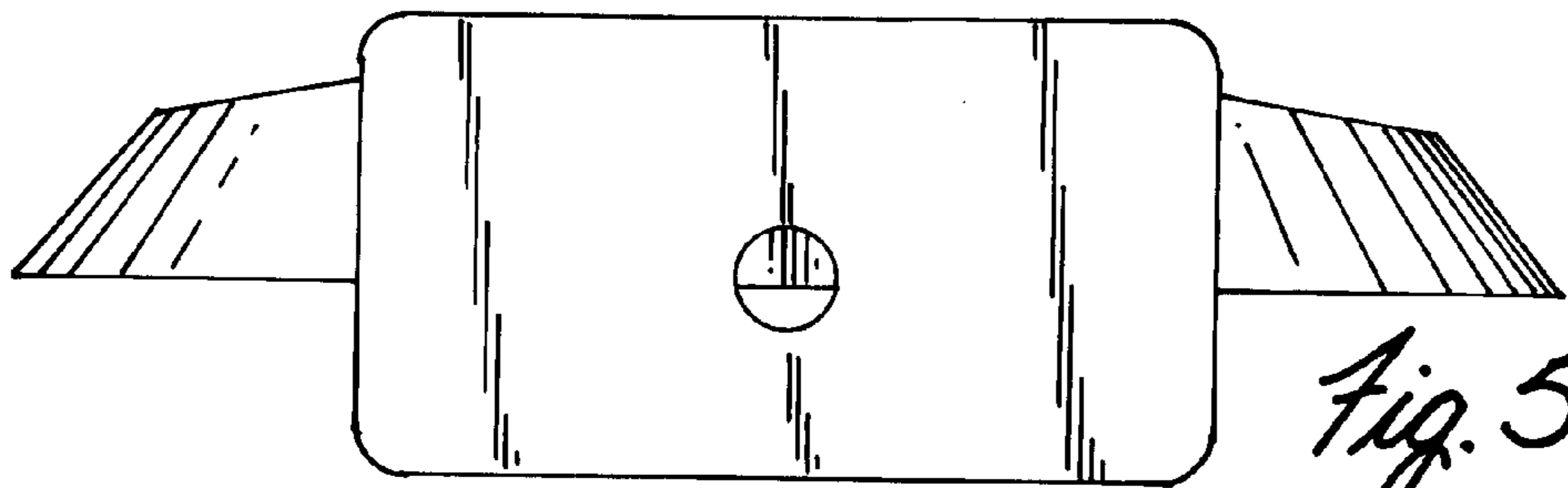
*Fig. 2*



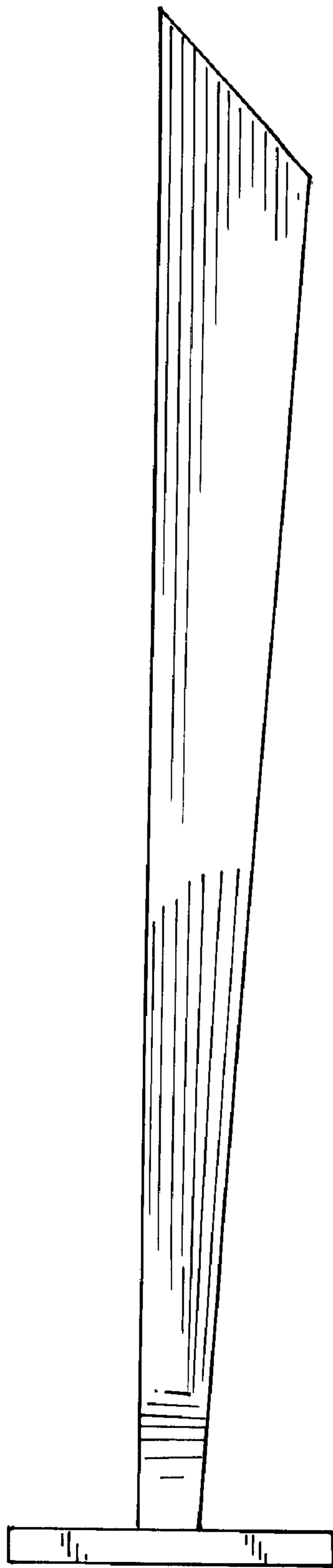
*Fig. 3*



*Fig. 4*



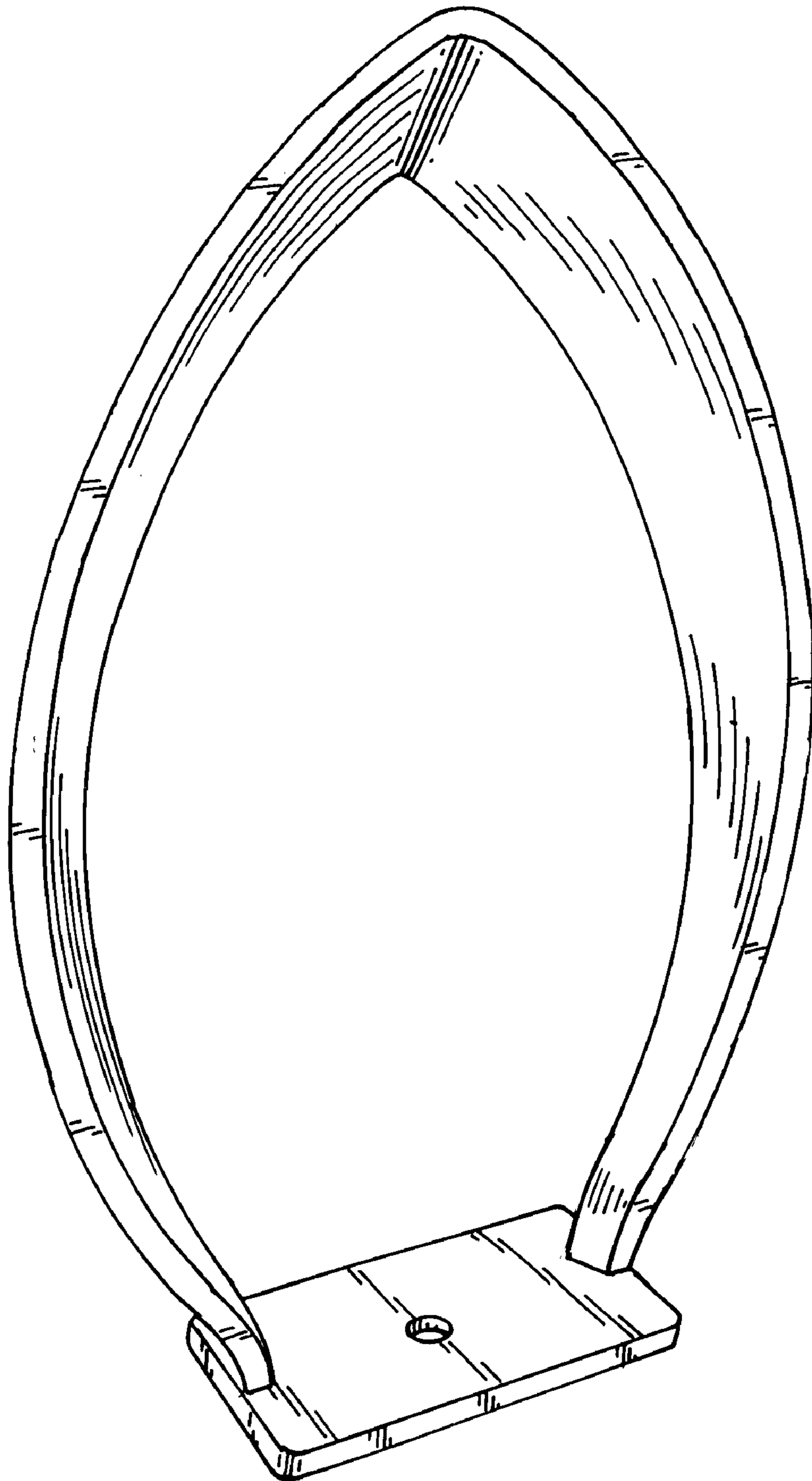
*Fig. 5*

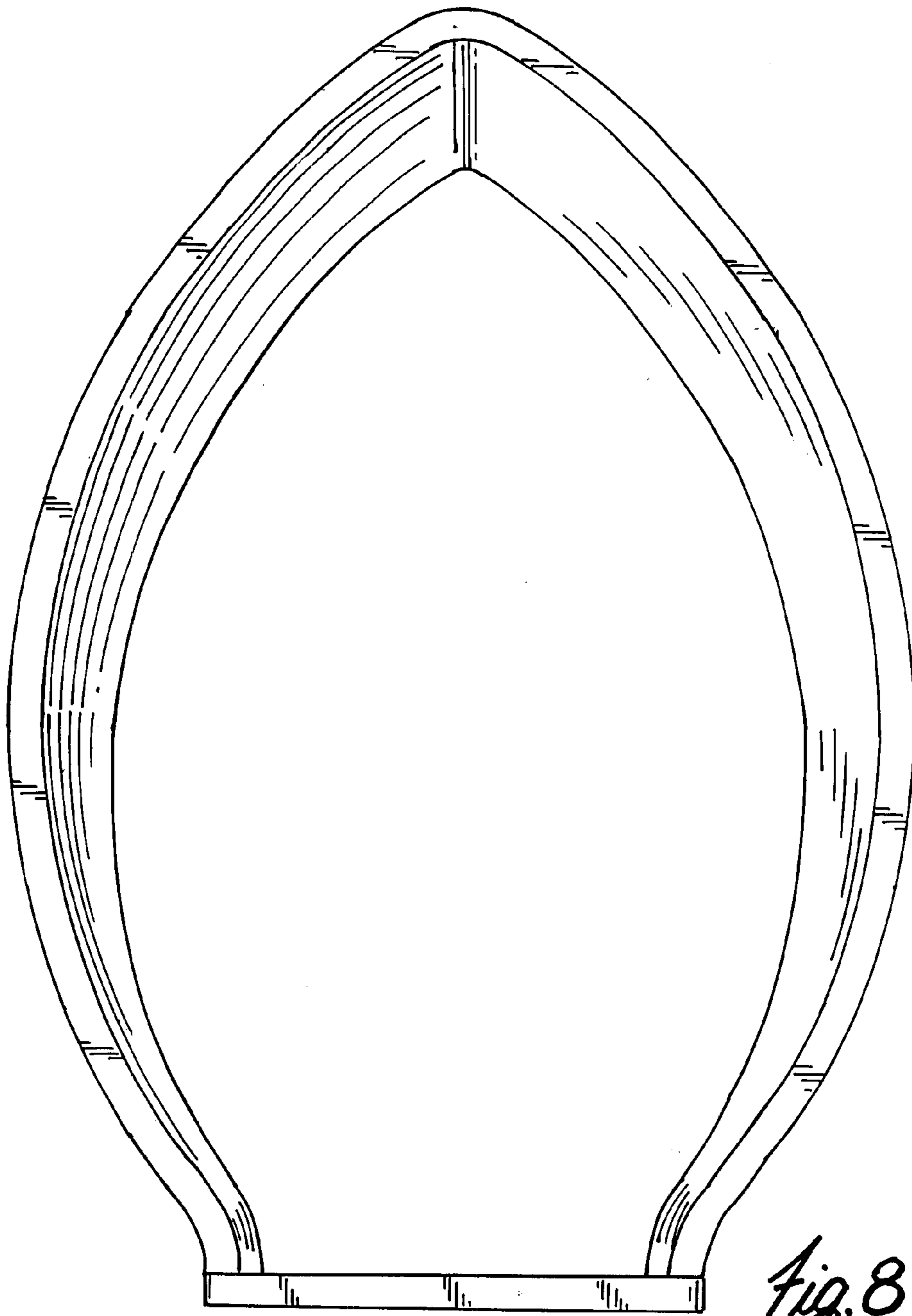


*Fig. 6*

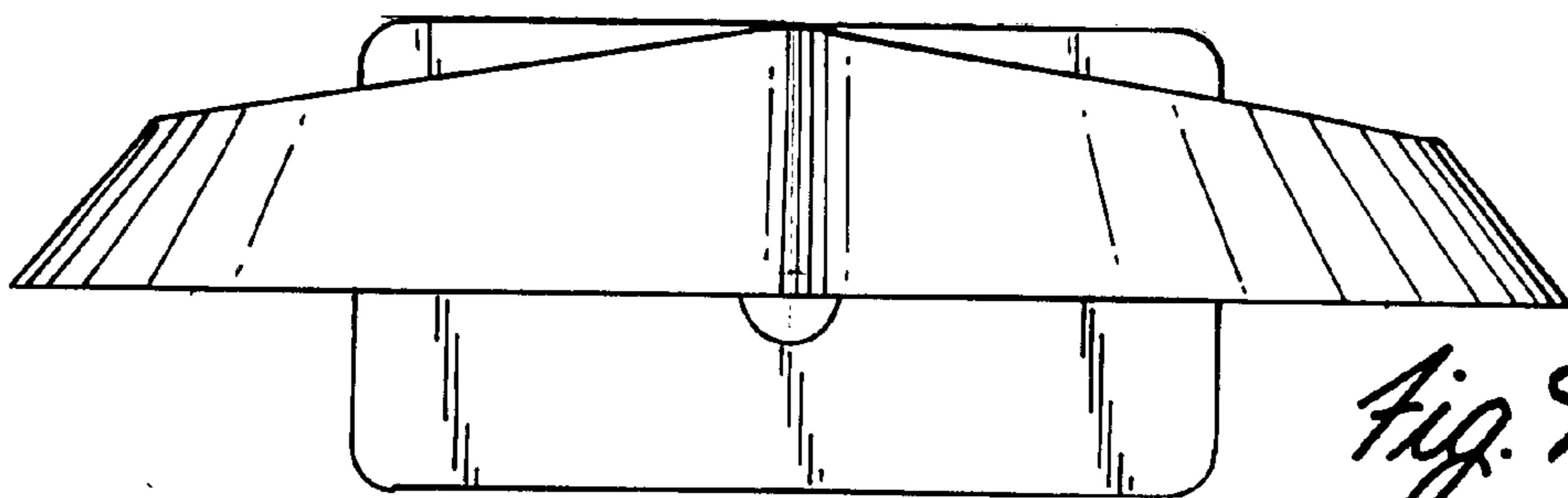


*Fig. 7*

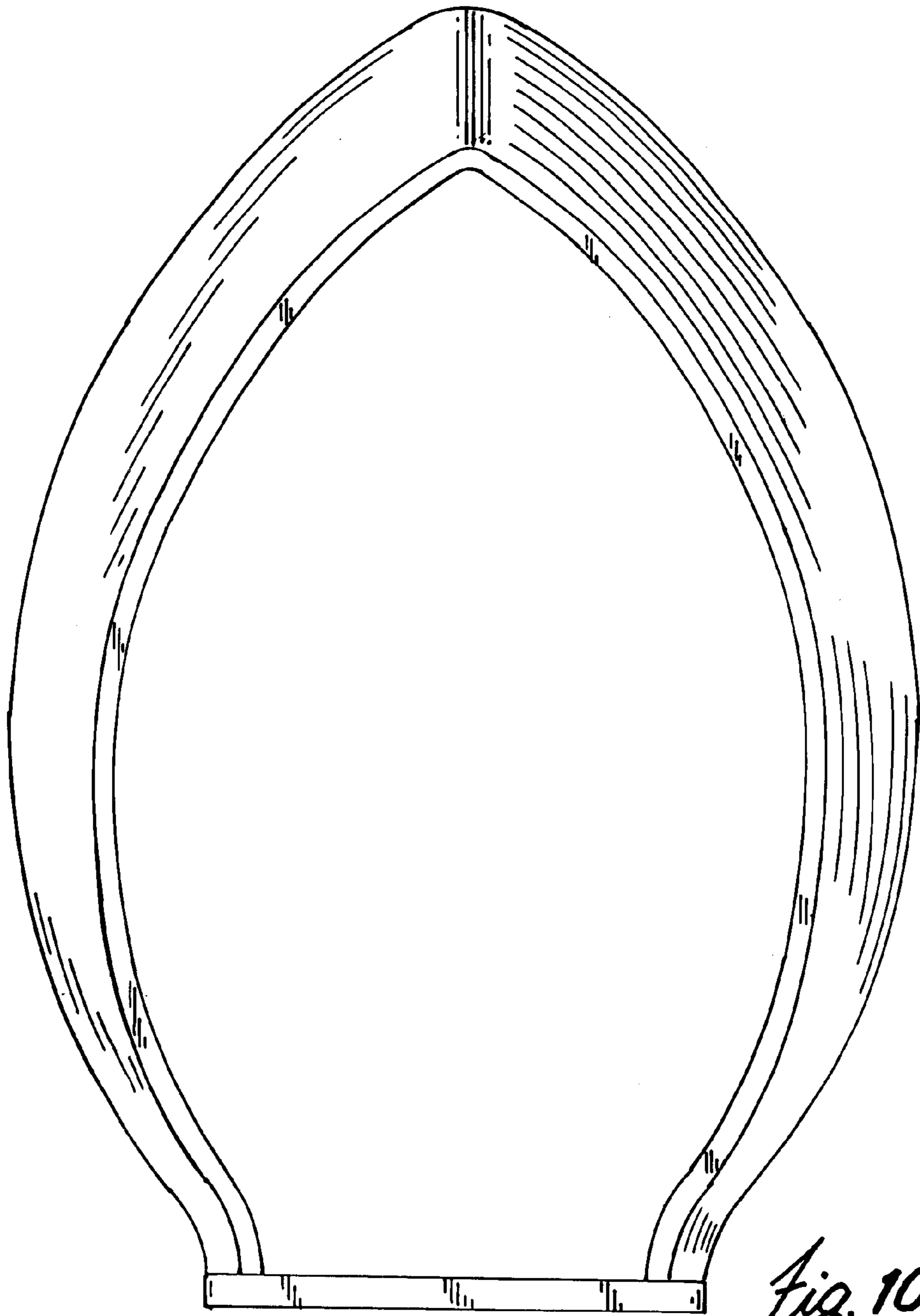




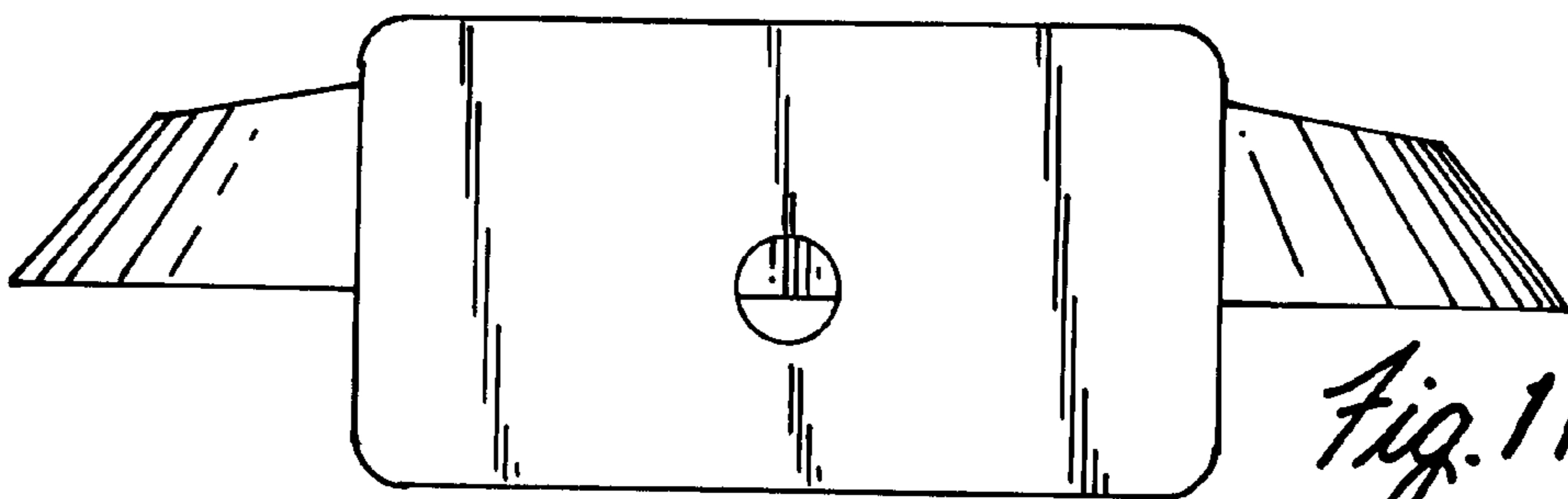
*Fig. 8*



*Fig. 9*

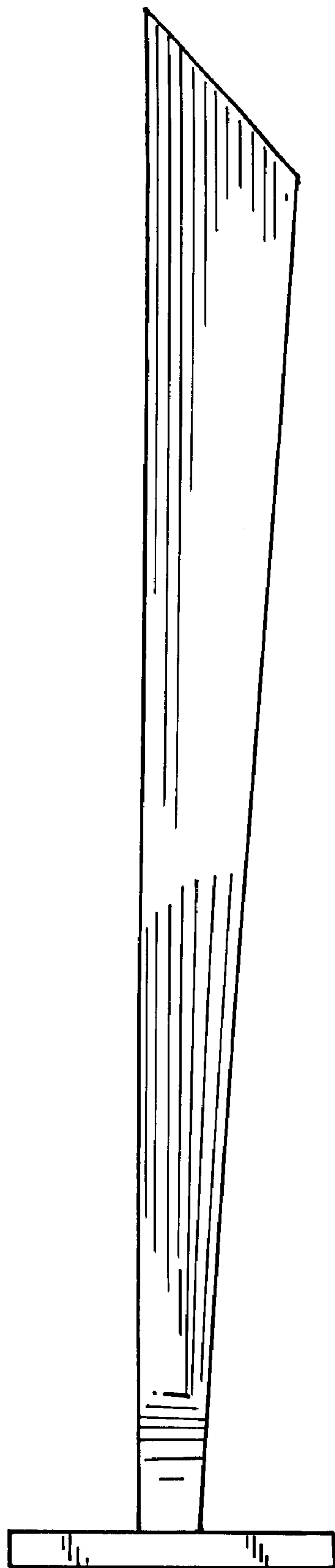


*Fig. 10*



*Fig. 11*





*Fig. 12*