



US00D461743S

(12) **United States Design Patent**  
**Dubner et al.**

(10) **Patent No.:** **US D461,743 S**

(45) **Date of Patent:** **\*\* Aug. 20, 2002**

(54) **PLANTER**

(76) Inventors: **Steven Dubner**, 60 Cove's Run,  
Syosset, NY (US) 11791; **Wendy  
Dubner Master**, 1520 York Ave., Apt.  
11B, New York, NY (US) 10028

(\*\*) Term: **14 Years**

(21) Appl. No.: **29/138,405**

(22) Filed: **Mar. 13, 2001**

(51) **LOC (7) Cl.** ..... **11-02**

(52) **U.S. Cl.** ..... **D11/155**

(58) **Field of Search** ..... D11/143, 144,  
D11/148, 149, 154, 155; D6/403, 404;  
D7/558, 559; 47/39, 65.5, 66.6, 67; 27/1-10;  
D99/5, 43, 99; 206/423; 248/27.8

(56) **References Cited**

**U.S. PATENT DOCUMENTS**

D7,430 S \* 5/1874 Fiske ..... D11/164  
D11,677 S \* 3/1880 Bayley ..... D11/148

D38,513 S \* 4/1907 Brush ..... D11/154

D266,619 S \* 10/1982 Krech ..... D99/5

D432,285 S \* 10/2000 Baldwin et al. .... D99/5

\* cited by examiner

*Primary Examiner*—Doris V. Coles

*Assistant Examiner*—Mimosa De

(57) **CLAIM**

The ornamental design for a planter, as shown and described.

**DESCRIPTION**

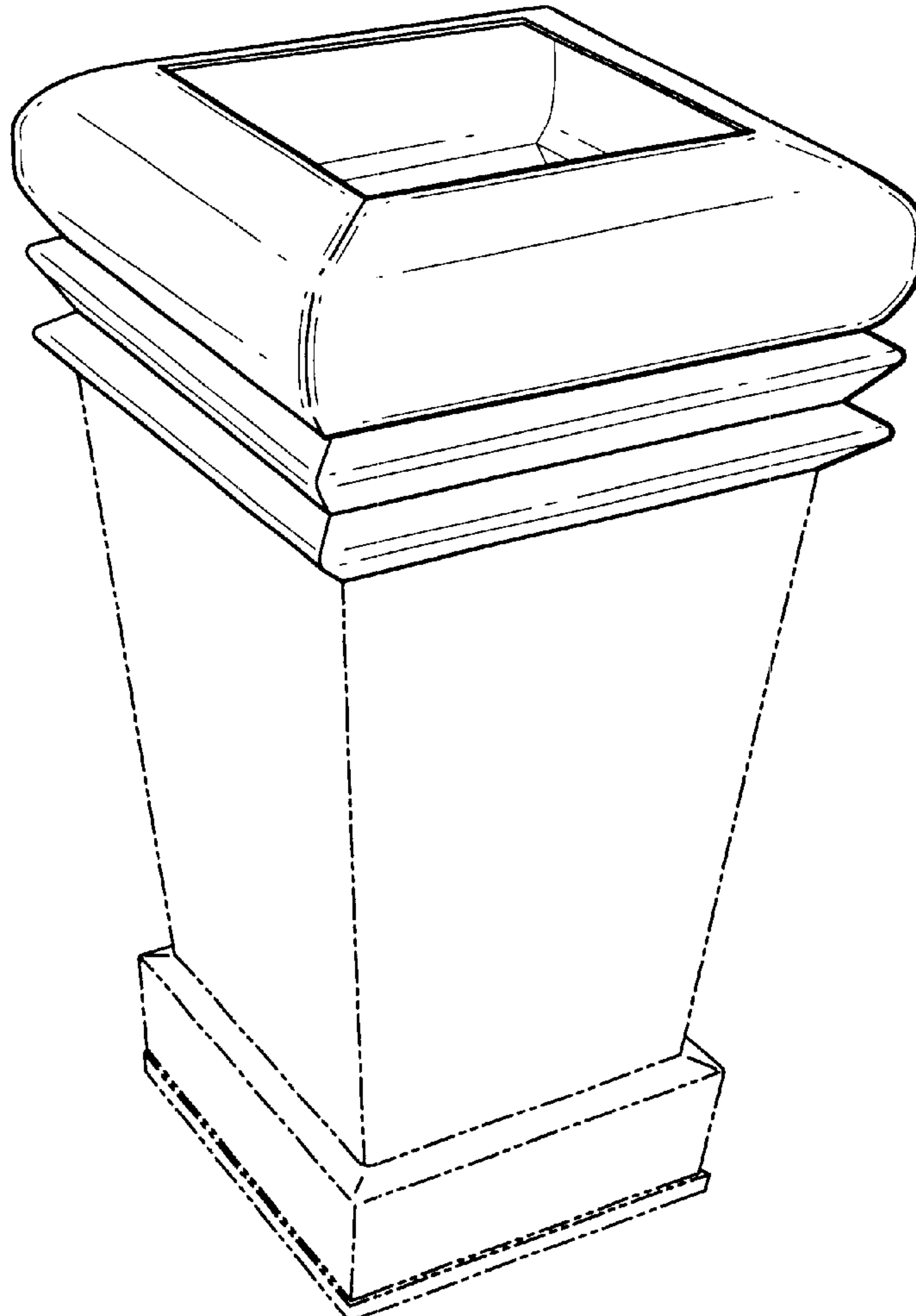
FIG. 1 is a perspective view of a planter showing our new design;

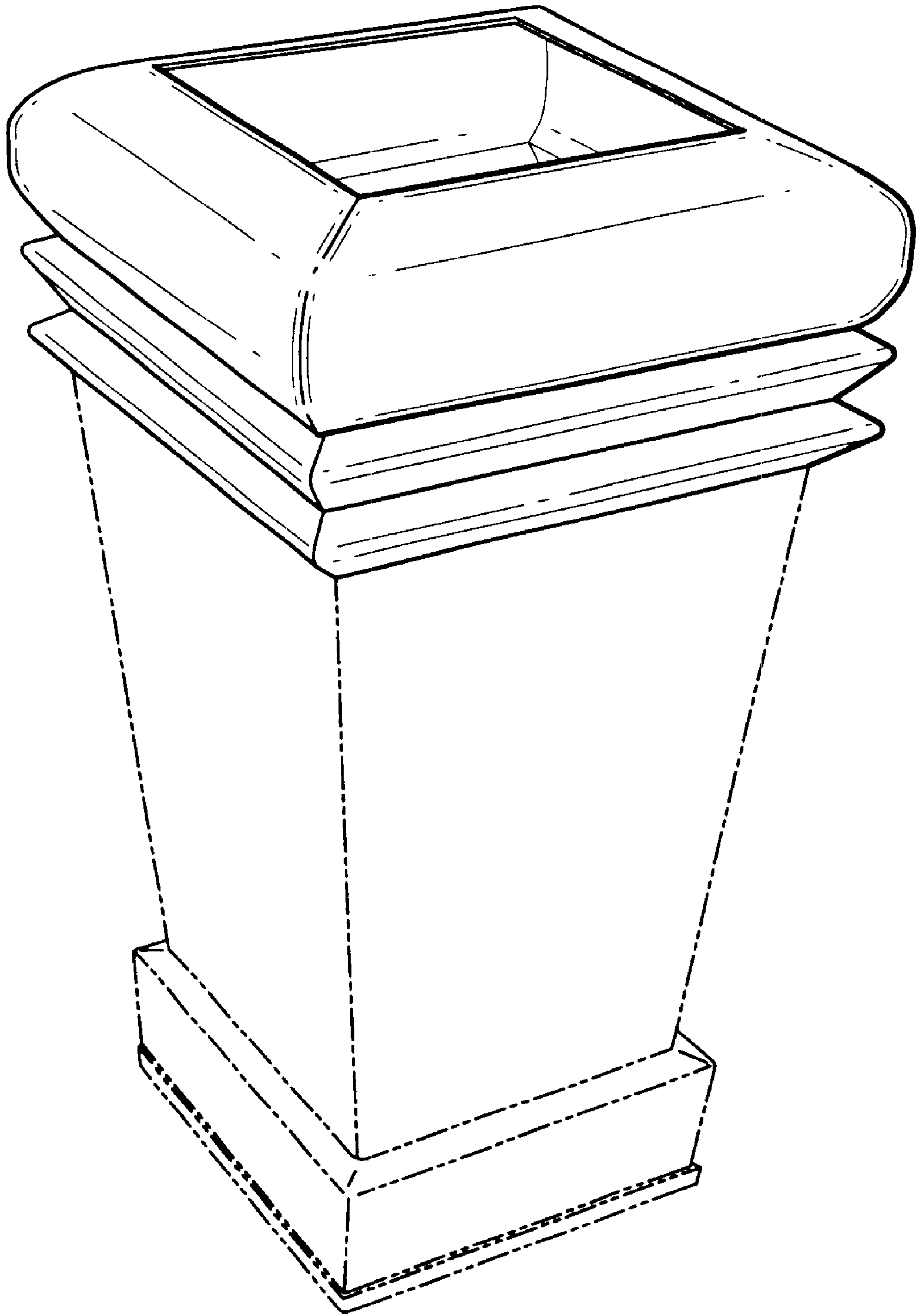
FIG. 2 is a front view of the planter, the rear and side views being mirror images; and,

FIG. 3 is a top view of the planter.

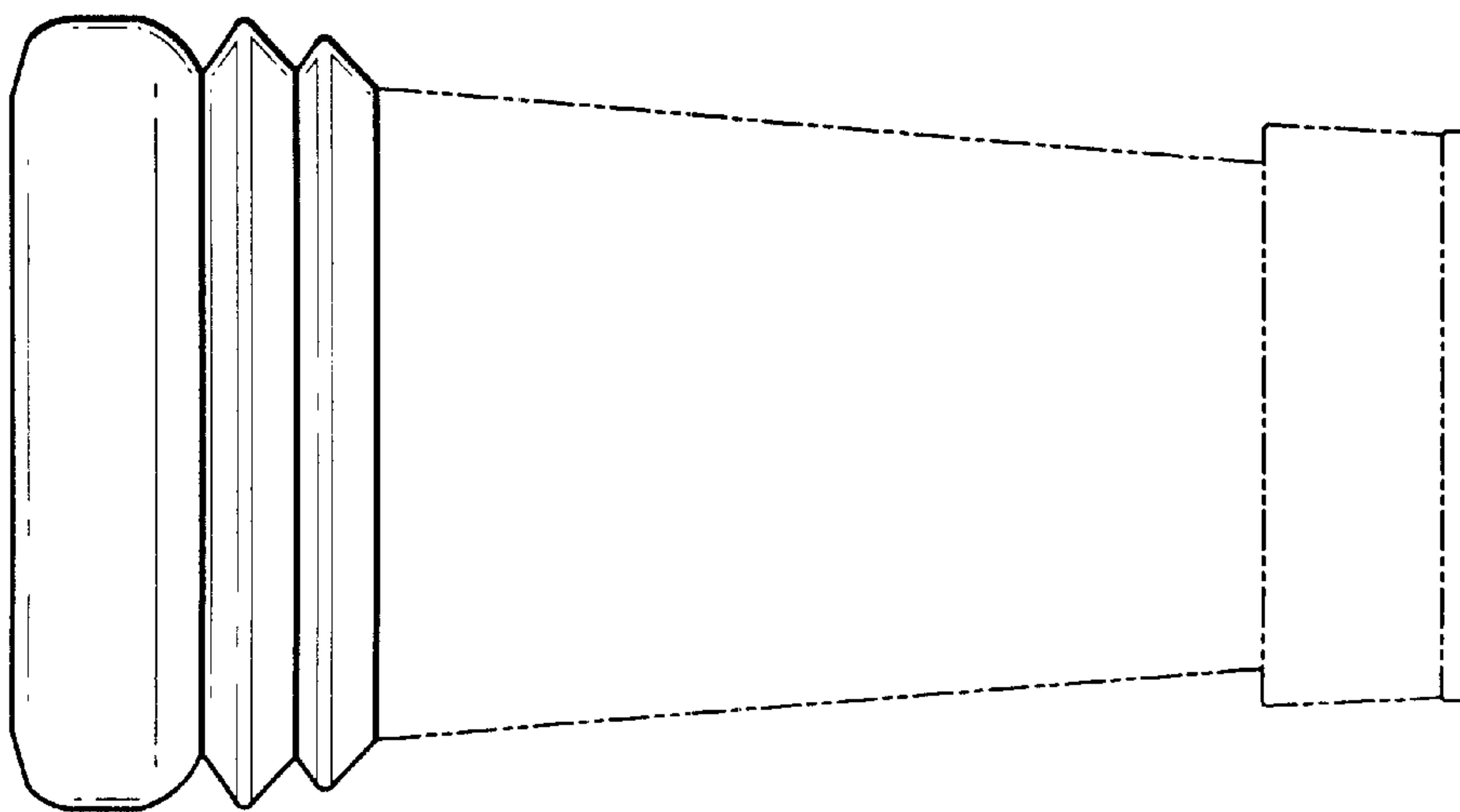
A bottom view of the design is flat and unornamented. Broken lines shown in the FIGS. are for illustrative purposes and form no part of the claimed design.

**1 Claim, 2 Drawing Sheets**

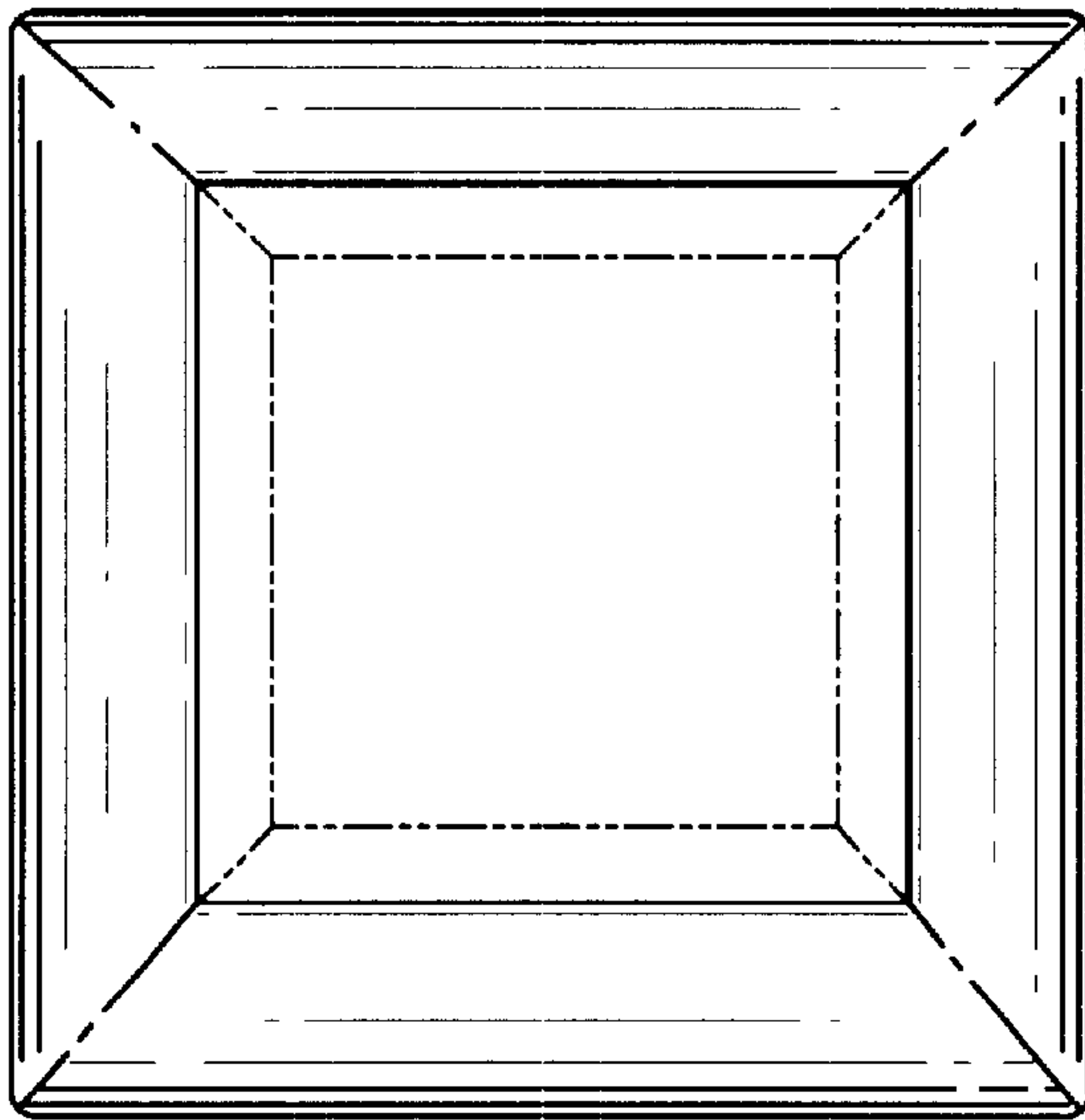




**FIG. 1**



**FIG. 2**



**FIG. 3**