



US00D461737S

(12) **United States Design Patent**  
**Fong Pui Ching**

(10) **Patent No.:** **US D461,737 S**

(45) **Date of Patent:** **\*\* Aug. 20, 2002**

- (54) **WRIST WATCH MOVEMENT HOLDER**
- (75) Inventor: **Tony Fong Pui Ching**, Hong Kong (HK)
- (73) Assignee: **Fossil, Inc.**, Richardson, TX (US)
- (\*\*) Term: **14 Years**
- (21) Appl. No.: **29/157,855**
- (22) Filed: **Mar. 28, 2002**
- (51) **LOC (7) Cl.** ..... **10-01**
- (52) **U.S. Cl.** ..... **D10/129**
- (58) **Field of Search** ..... D10/122-129;  
368/276-277, 285, 292, 297-300, 318

- D274,416 S \* 6/1984 Braun et al. .... D10/129
- D311,706 S \* 10/1990 Zaugg et al. .... D10/128
- 5,036,501 A \* 7/1991 Smith ..... 368/88
- D377,761 S \* 2/1997 Cross ..... D10/1
- D398,579 S \* 9/1998 Chaco ..... D13/119

\* cited by examiner

*Primary Examiner*—Nelson C. Holtje

(74) *Attorney, Agent, or Firm*—Locke Liddell & Sapp LLP

(57) **CLAIM**

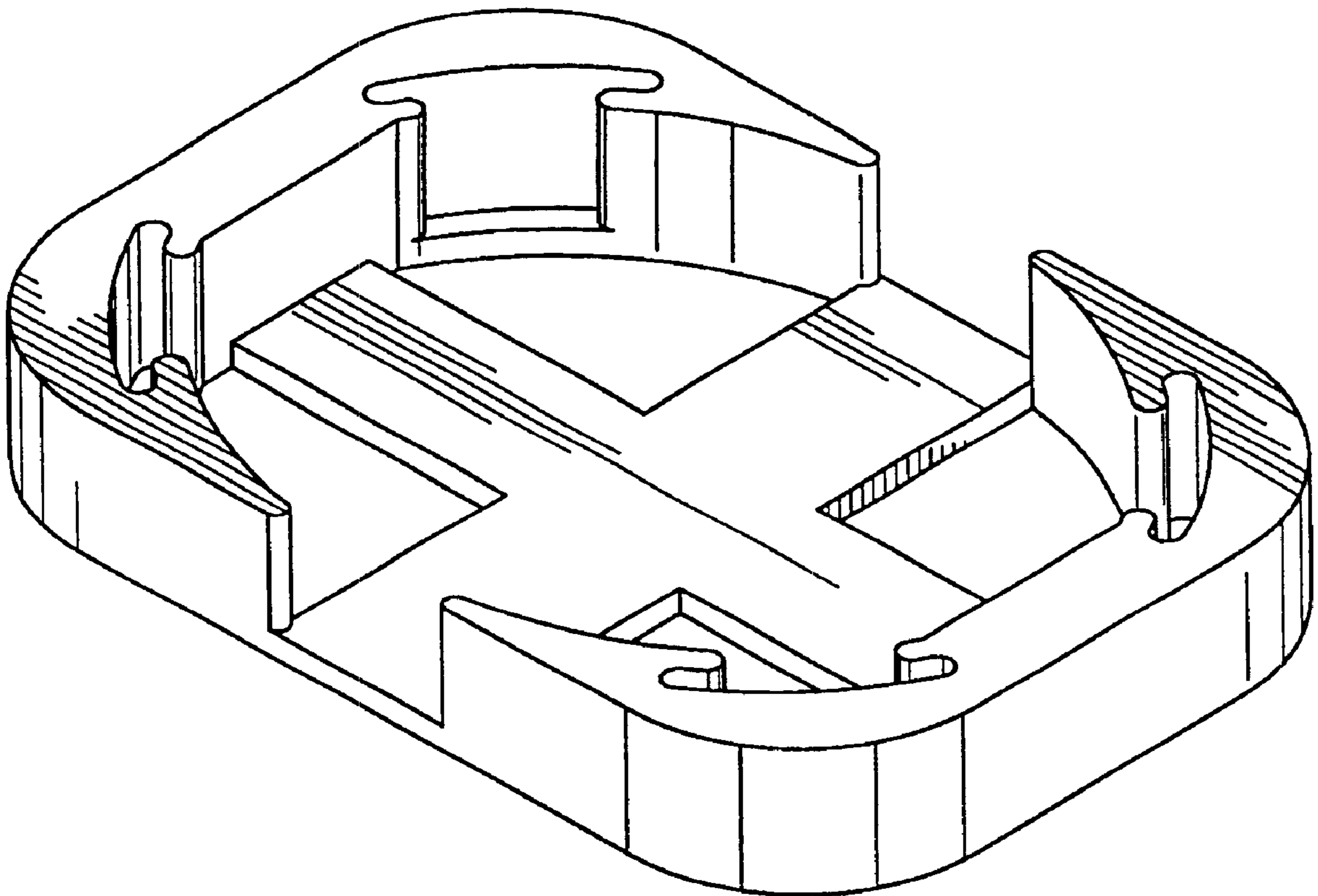
The ornamental design for wrist watch movement holder, as shown and described.

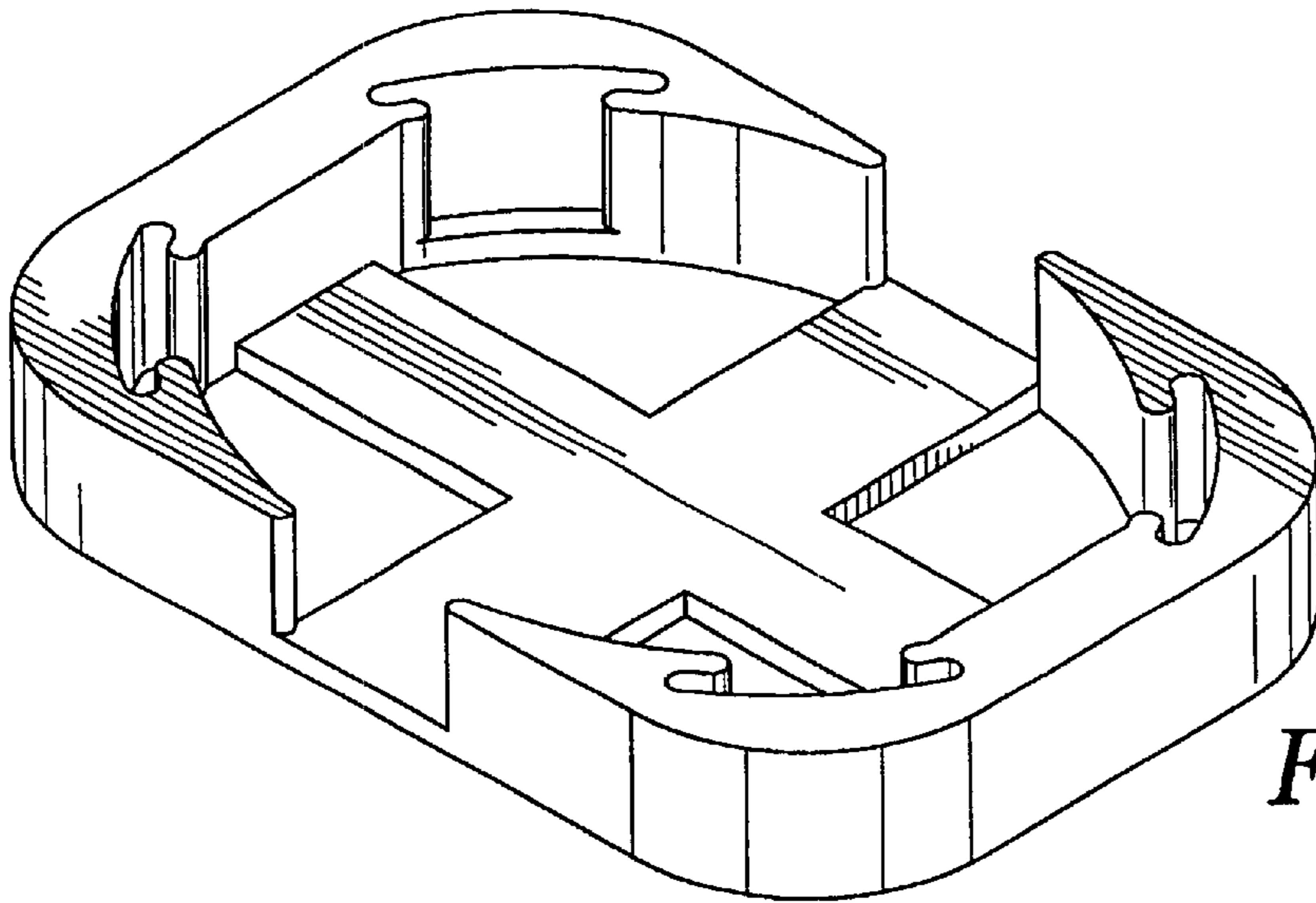
**DESCRIPTION**

FIG. 1 is a perspective view of my new wrist watch movement holder;  
 FIG. 2 is a top plan view thereof;  
 FIG. 3 is a bottom plan view thereof;  
 FIG. 4 is a left side elevational view thereof, the right side view being identical thereto; and,  
 FIG. 5 is a front elevational view thereof, the rear view being identical thereto.

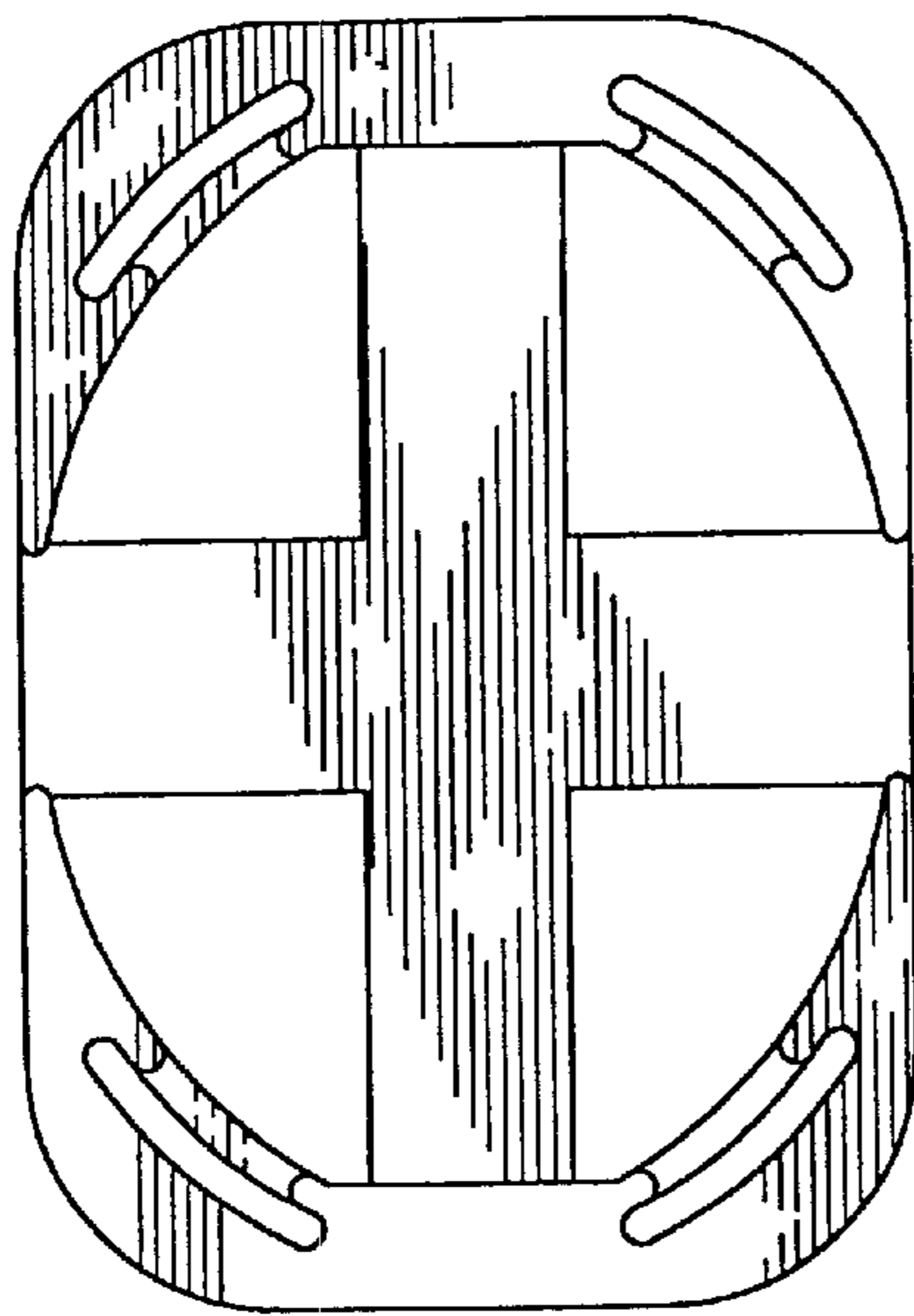
- (56) **References Cited**
- U.S. PATENT DOCUMENTS**
- D26,266 S \* 11/1896 Floyd ..... D10/129
- 1,005,540 A \* 10/1911 Guertin ..... 368/276 X
- D155,400 S \* 10/1949 Dinhofer ..... D10/128
- 4,198,811 A \* 4/1980 Ratajski ..... 368/292
- 4,238,848 A \* 12/1980 Yamaguchi et al. .... 368/276
- 4,391,533 A \* 7/1983 Waki ..... 368/281

**1 Claim, 1 Drawing Sheet**

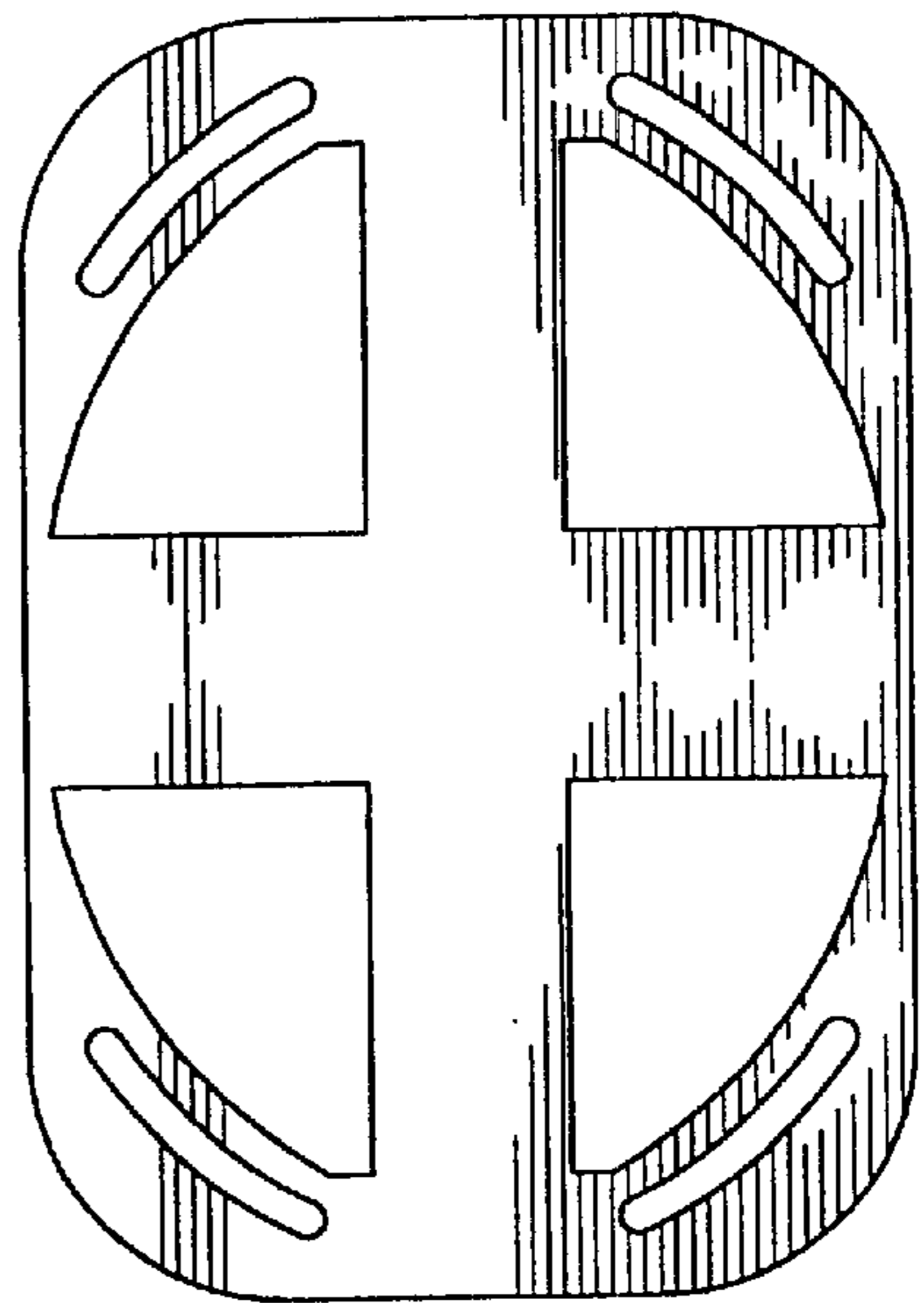




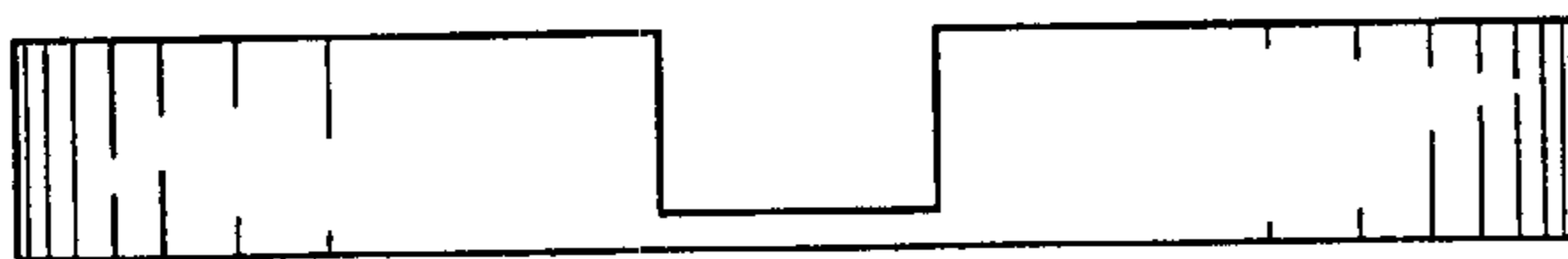
*FIG. 1*



*FIG. 2*



*FIG. 3*



*FIG. 4*



*FIG. 5*