



US00D461735S

(12) **United States Design Patent**  
**Brown**

(10) **Patent No.:** **US D461,735 S**

(45) **Date of Patent:** **\*\* Aug. 20, 2002**

(54) **HOLLOW RECTANGULAR TRAFFIC BARRICADE 8 FOOT WITH POSITIVE LOCK CONNECTION**

(76) **Inventor:** **James C. Brown**, 2121 Skyhawk Dr., Fort Wayne, IN (US) 46815

(\*\*) **Term:** **14 Years**

(21) **Appl. No.:** **29/151,166**

(22) **Filed:** **Nov. 15, 2001**

(51) **LOC (7) Cl.** ..... **10-05**

(52) **U.S. Cl.** ..... **D10/113**

(58) **Field of Search** ..... D10/113; 52/314, 52/316; 404/6; 256/19, 13.1

(56) **References Cited**

**U.S. PATENT DOCUMENTS**

5,123,773	A	*	6/1992	Yodock	.....	404/6
5,605,413	A	*	2/1997	Brown	.....	404/6
5,882,140	A	*	3/1999	Yocock, Jr. et al.	.....	404/6

\* cited by examiner

*Primary Examiner*—Antoine Duval Davis

(57) **CLAIM**

The ornamental design for a hollow rectangular traffic barricade 8 foot with positive lock connection, as shown and described.

**DESCRIPTION**

FIG. 1 is a right/front isometric view of a hollow rectangular traffic barricade 8 foot with positive lock connection showing my new design including a molded plastic body with two recesses in the bottom side to accommodate the forks of a fork lift truck, an inlet disposed on the top side for filling the hollow rectangular traffic barricade with water, and an outlet on the lower-left front side to drain water from the hollow rectangular traffic barricade;

FIG. 2 is a front view thereof;

FIG. 3 is a rear view thereof;

FIG. 4 is a top view thereof;

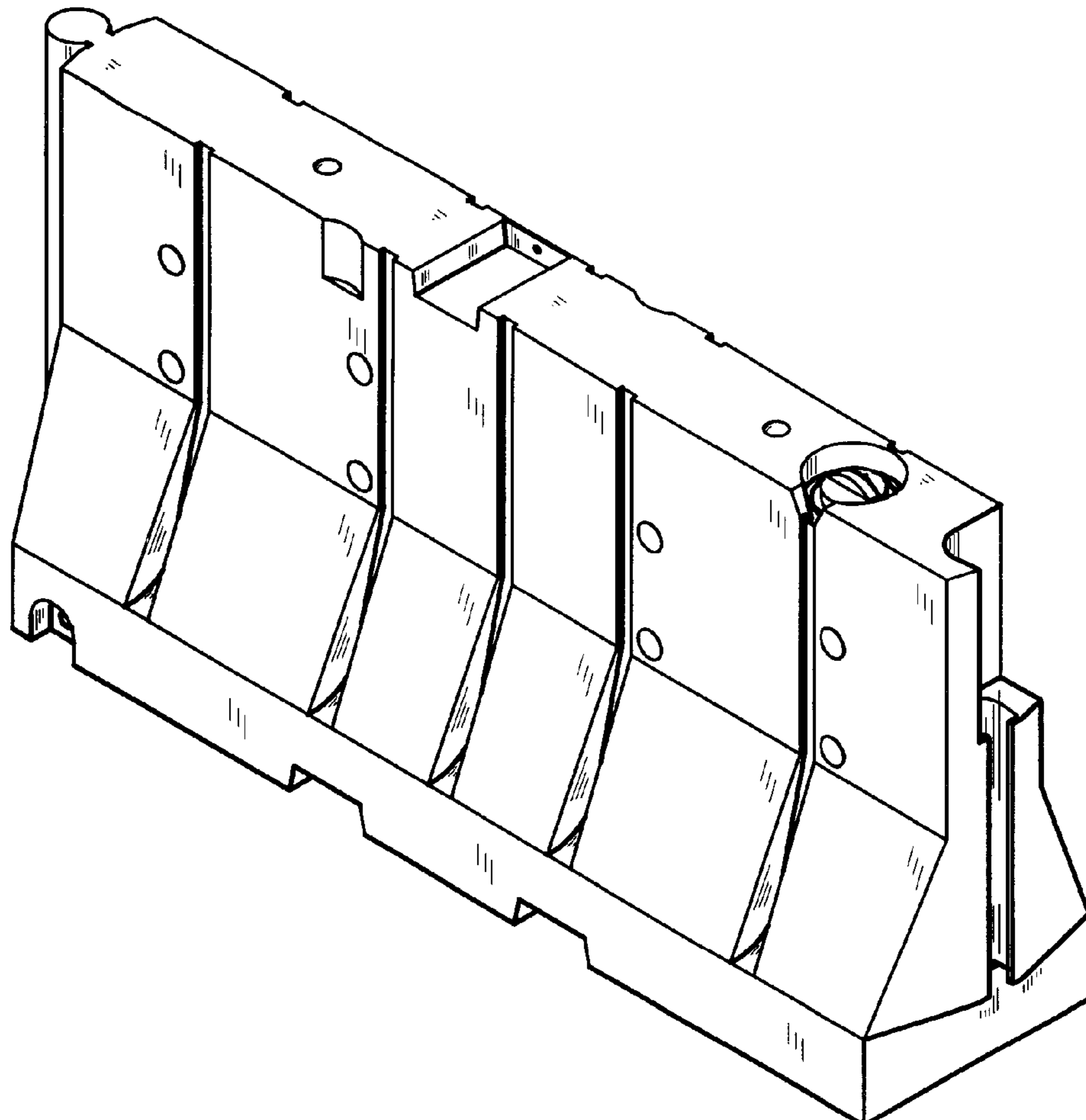
FIG. 5 is a bottom view thereof;

FIG. 6 is a left side view thereof;

FIG. 7 is a right side view thereof; and,

FIG. 8 is a left/front isometric view.

**1 Claim, 3 Drawing Sheets**



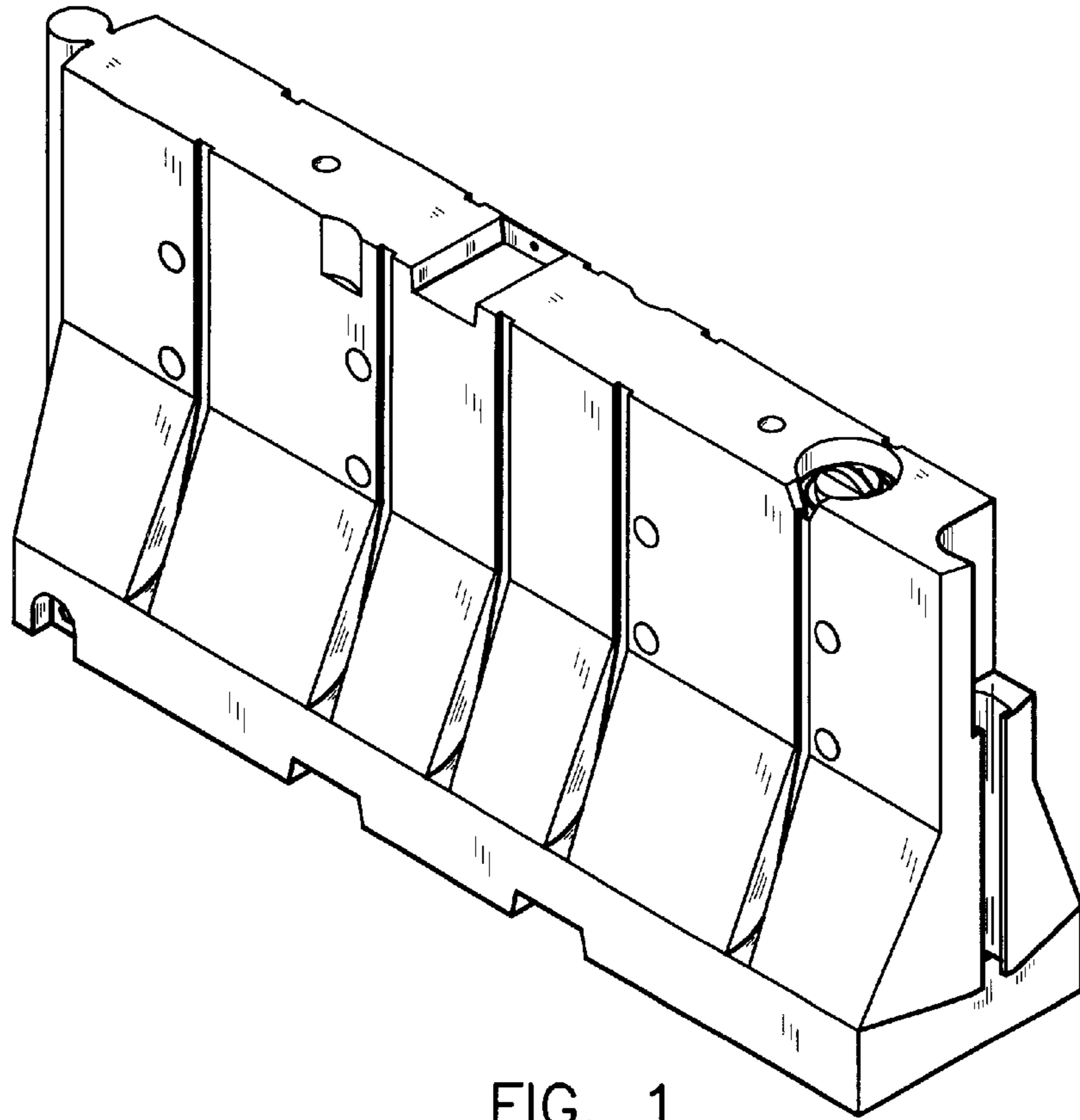


FIG. 1

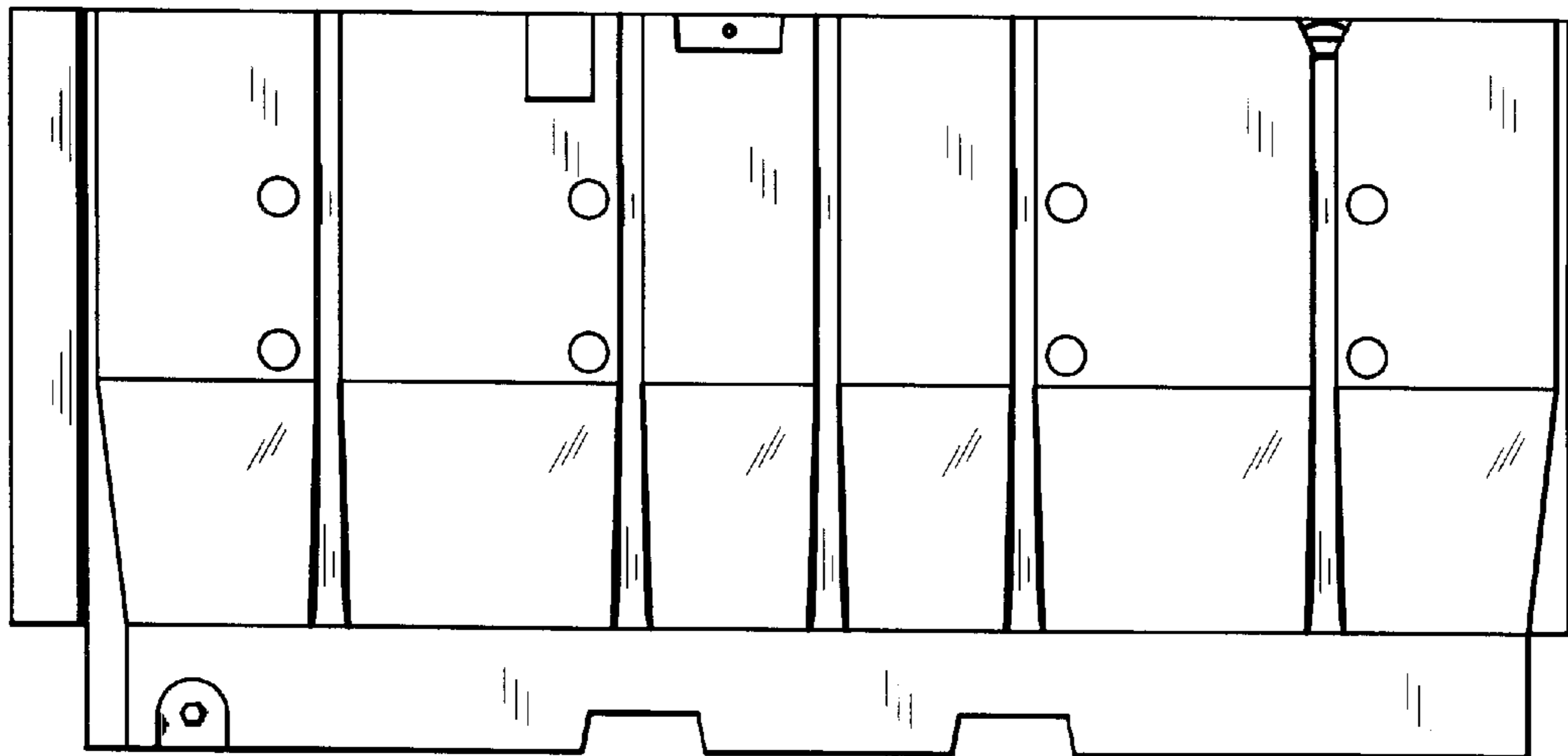


FIG. 2

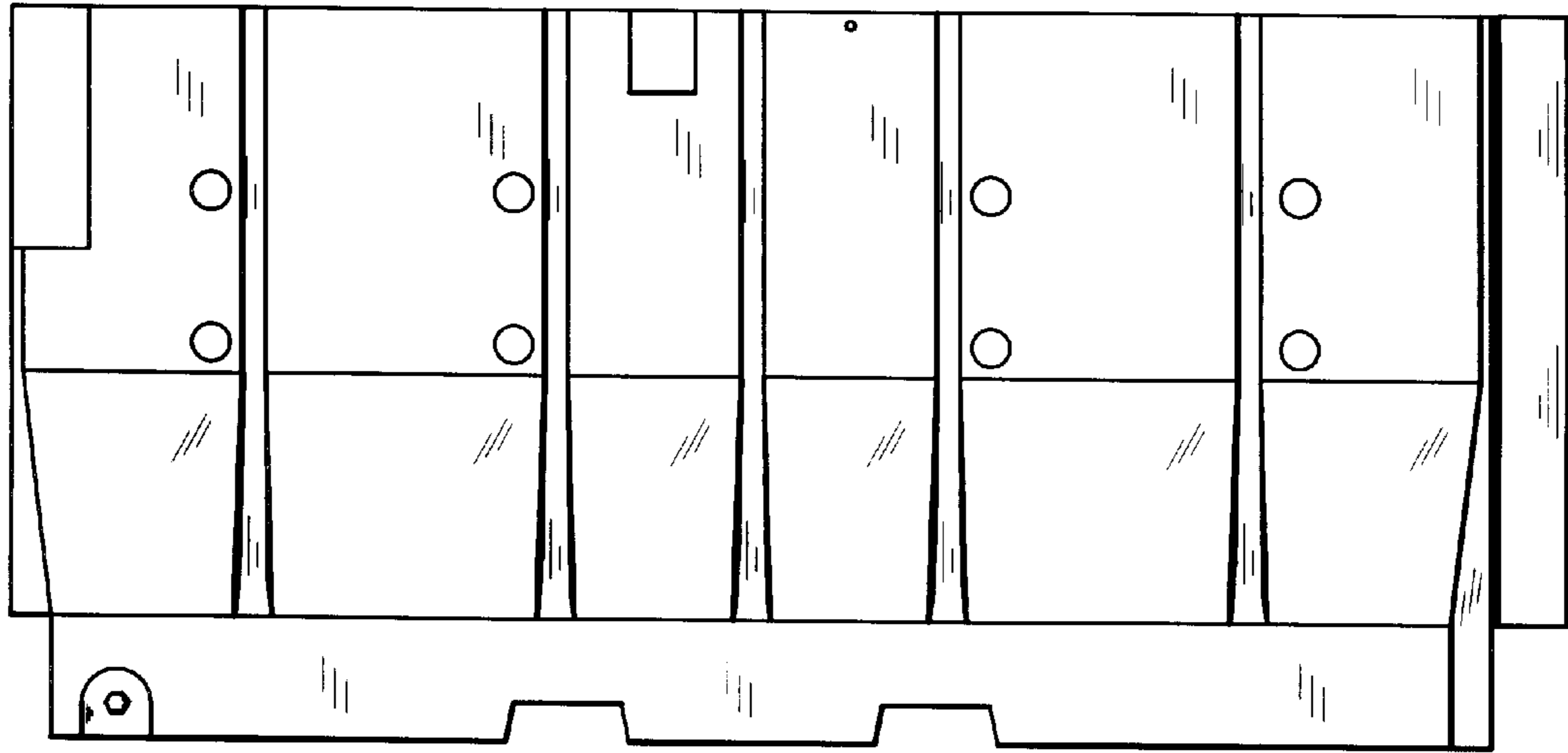


FIG. 3

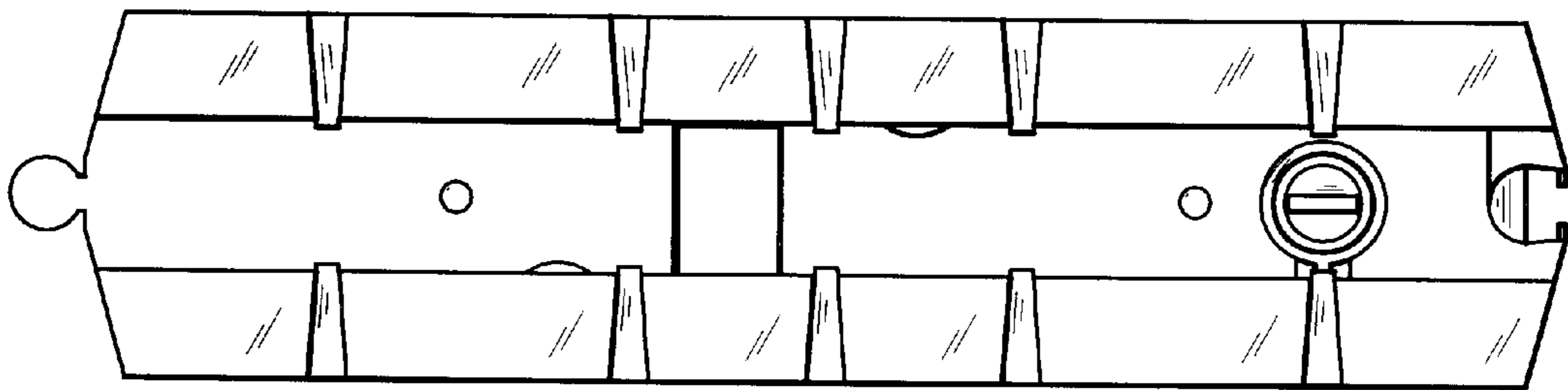


FIG. 4

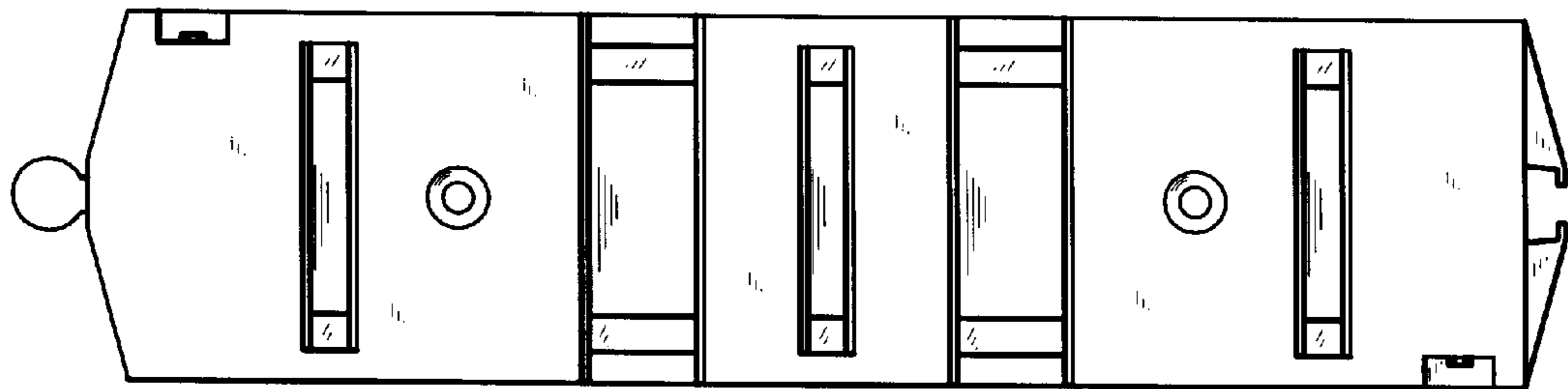


FIG. 5

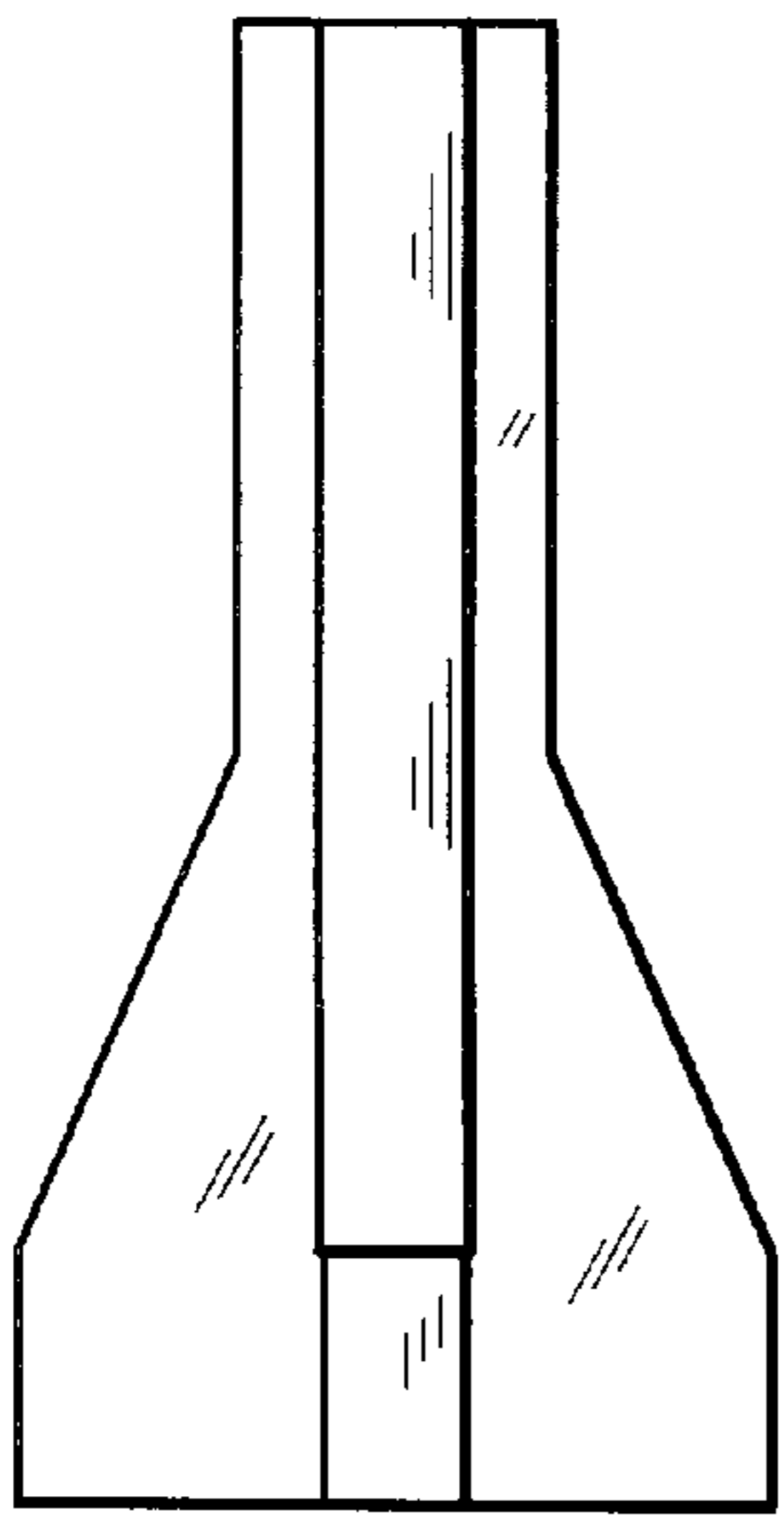


FIG. 6

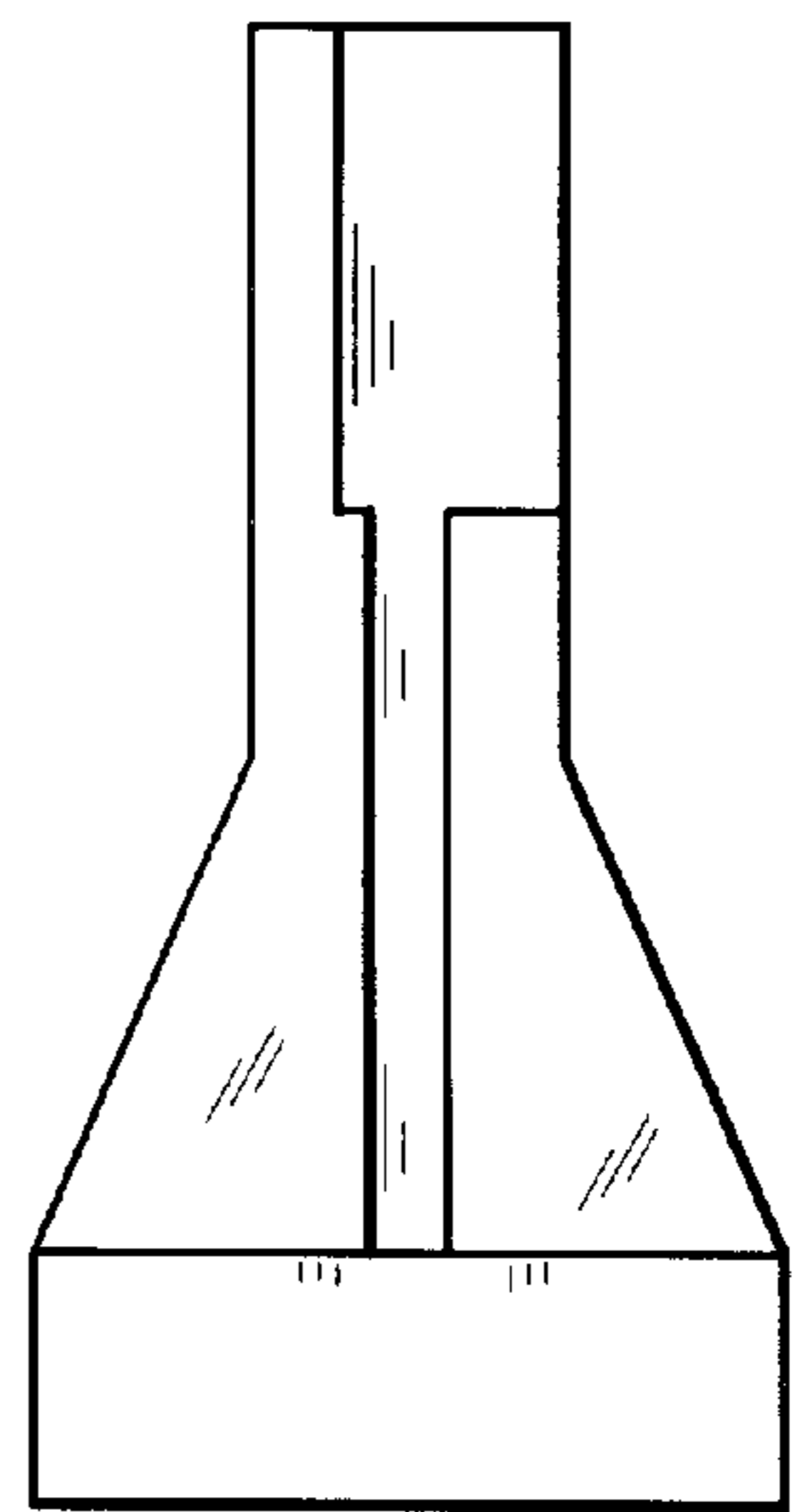


FIG. 7

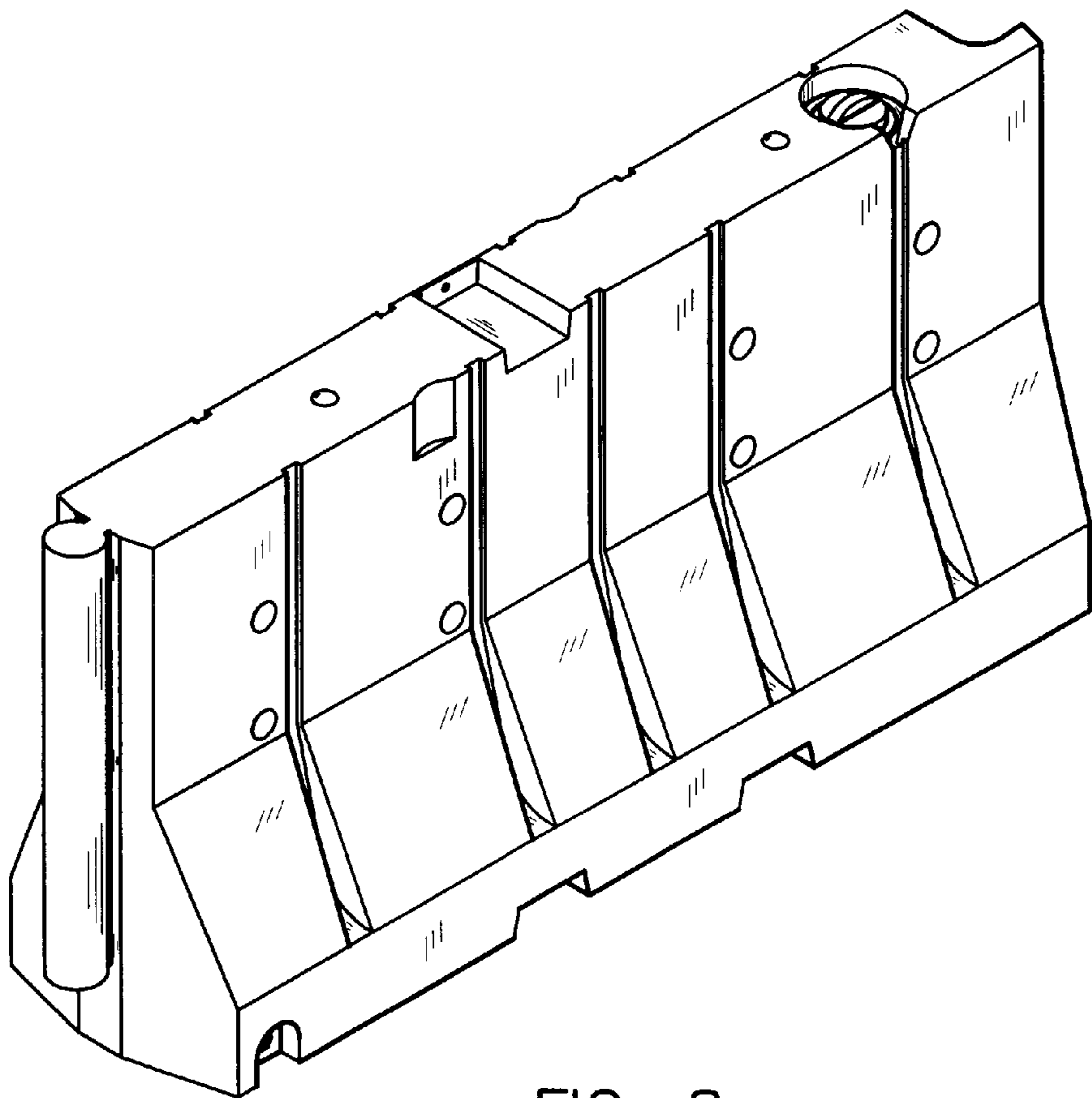


FIG. 8