



US00D461733S

(12) **United States Design Patent**
Iida

(10) **Patent No.:** **US D461,733 S**

(45) **Date of Patent:** **** Aug. 20, 2002**

(54) **FLUID PRESSURE CYLINDER**

(75) Inventor: **Kenji Iida**, Ibaraki-ken (JP)

(73) Assignee: **SMC Kabushiki Kaisha**, Tokyo (JP)

(**) Term: **14 Years**

(21) Appl. No.: **29/148,378**

(22) Filed: **Sep. 19, 2001**

(30) **Foreign Application Priority Data**

Mar. 22, 2001 (JP) 2001-008168

(51) **LOC (7) Cl.** **10-04**

(52) **U.S. Cl.** **D10/85; D15/7**

(58) **Field of Search** D10/85; 92/5 L,
92/15-17, 21 MR, 28, 51, 52, 88, 91, 92,
128, 165 PR, 169; D15/7-9

(56) **References Cited**

U.S. PATENT DOCUMENTS

5,943,939 A * 8/1999 Orlhara 92/85 B
6,109,166 A * 8/2000 Granberg 92/88

6,129,003 A * 10/2000 Udagawa 92/51
6,220,146 B1 * 4/2001 Ota et al. 92/165 PR
D444,795 S * 7/2001 Wakasugi et al. D15/7

* cited by examiner

Primary Examiner—Antoine Duval Davis

(74) *Attorney, Agent, or Firm*—Frishauf, Holtz, Goodman & Chick, P.C.

(57) **CLAIM**

The ornamental design for a fluid pressure cylinder, as shown and described.

DESCRIPTION

FIG. 1 is a top, front and left side perspective view of a fluid pressure cylinder showing my new design;
FIG. 2 is a front view thereof, the rear view being a mirror image;
FIG. 3 is a top plan view thereof;
FIG. 4 is a bottom plan view thereof;
FIG. 5 is a right side view thereof; and,
FIG. 6 is a left side view thereof.

1 Claim, 4 Drawing Sheets

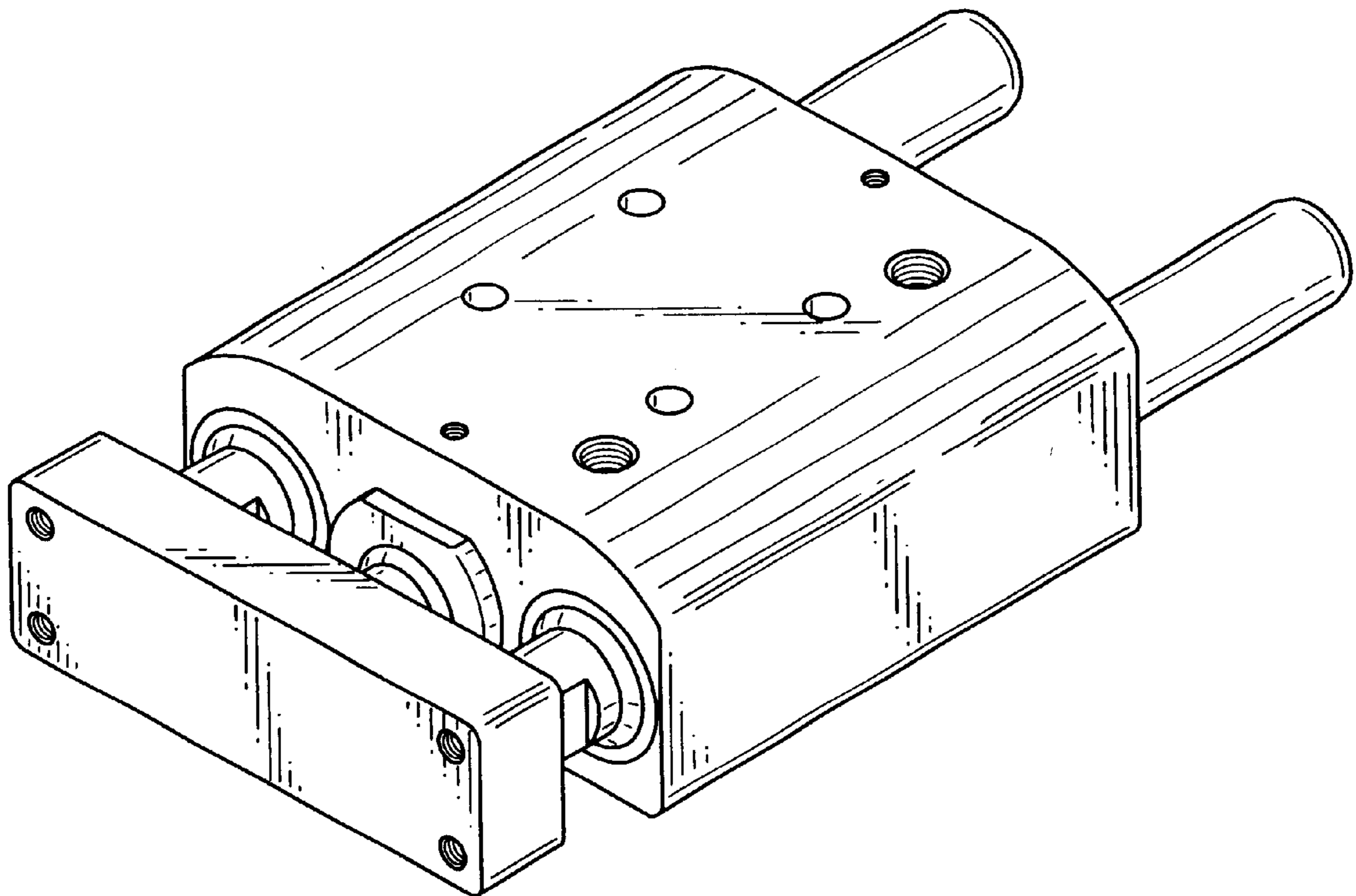


FIG. 1

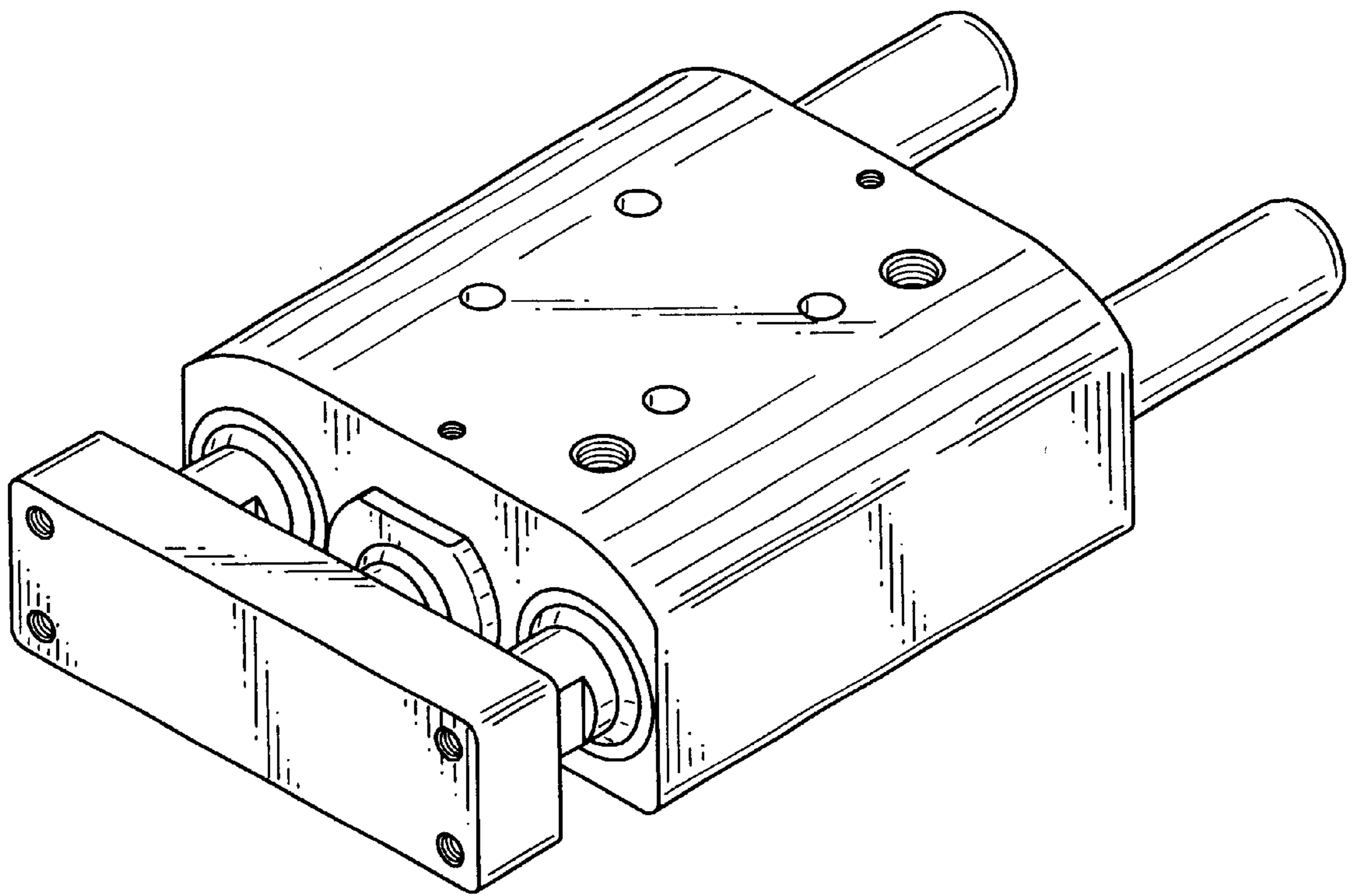


FIG. 2

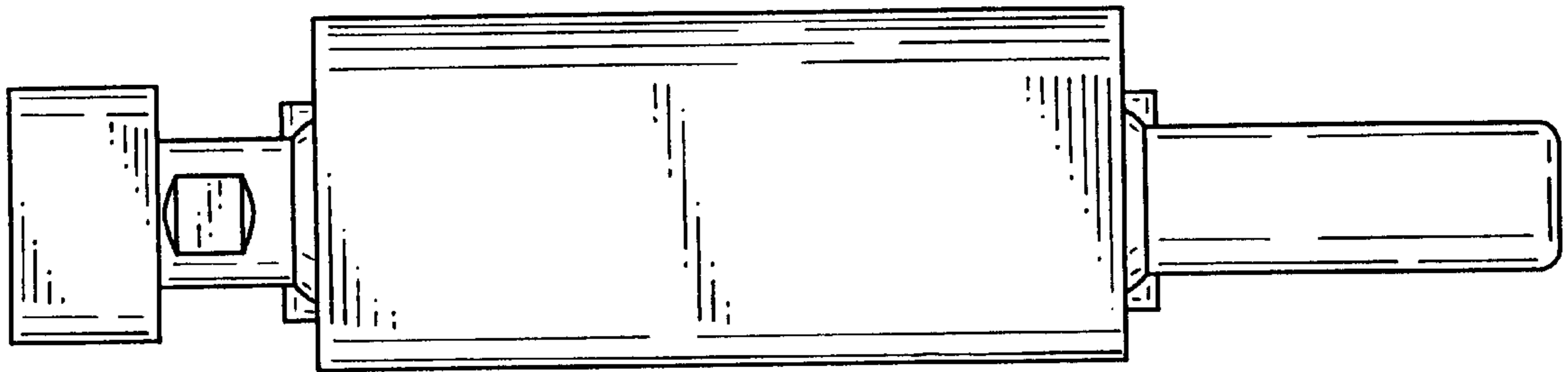


FIG. 3

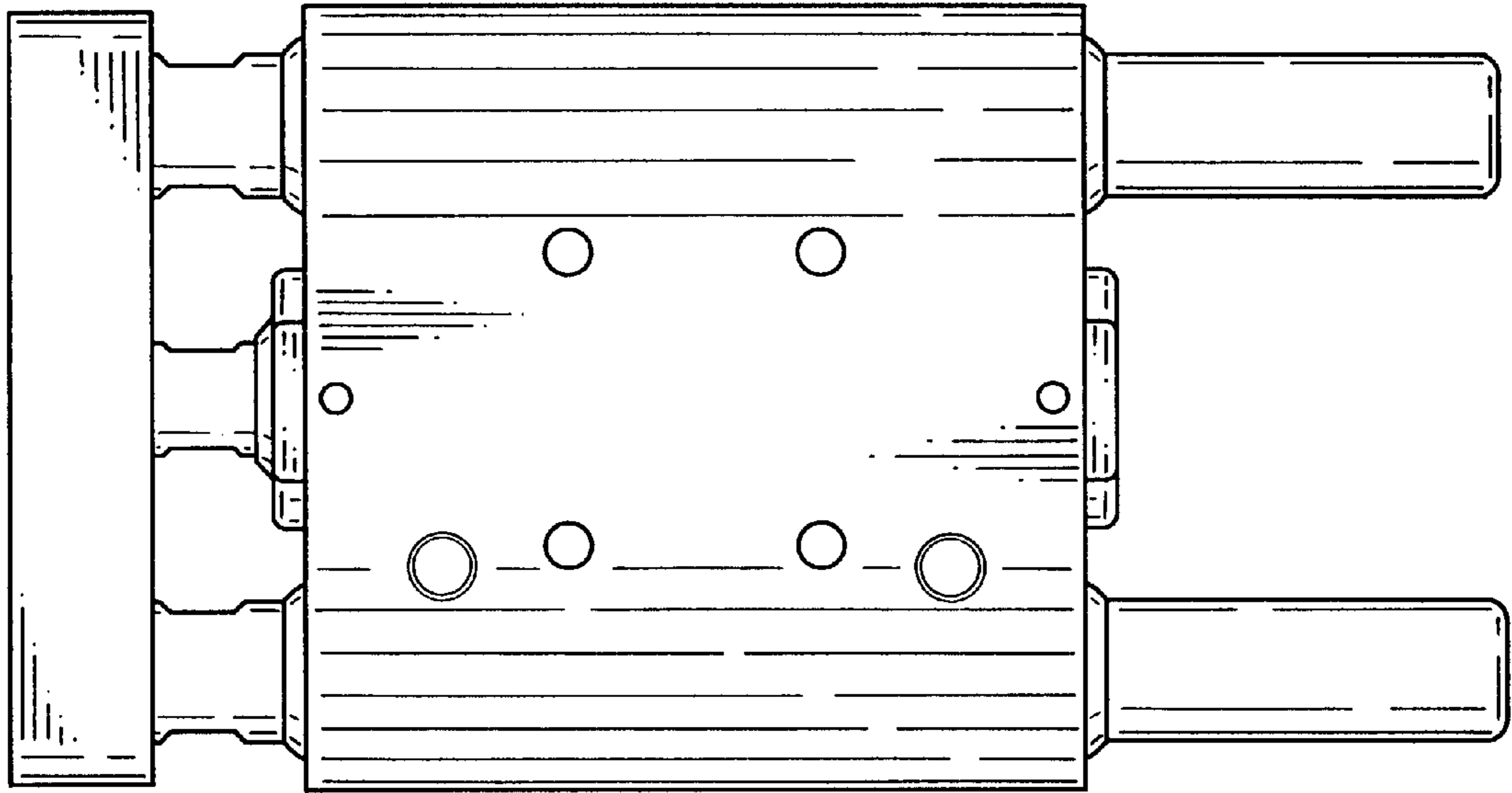


FIG. 4

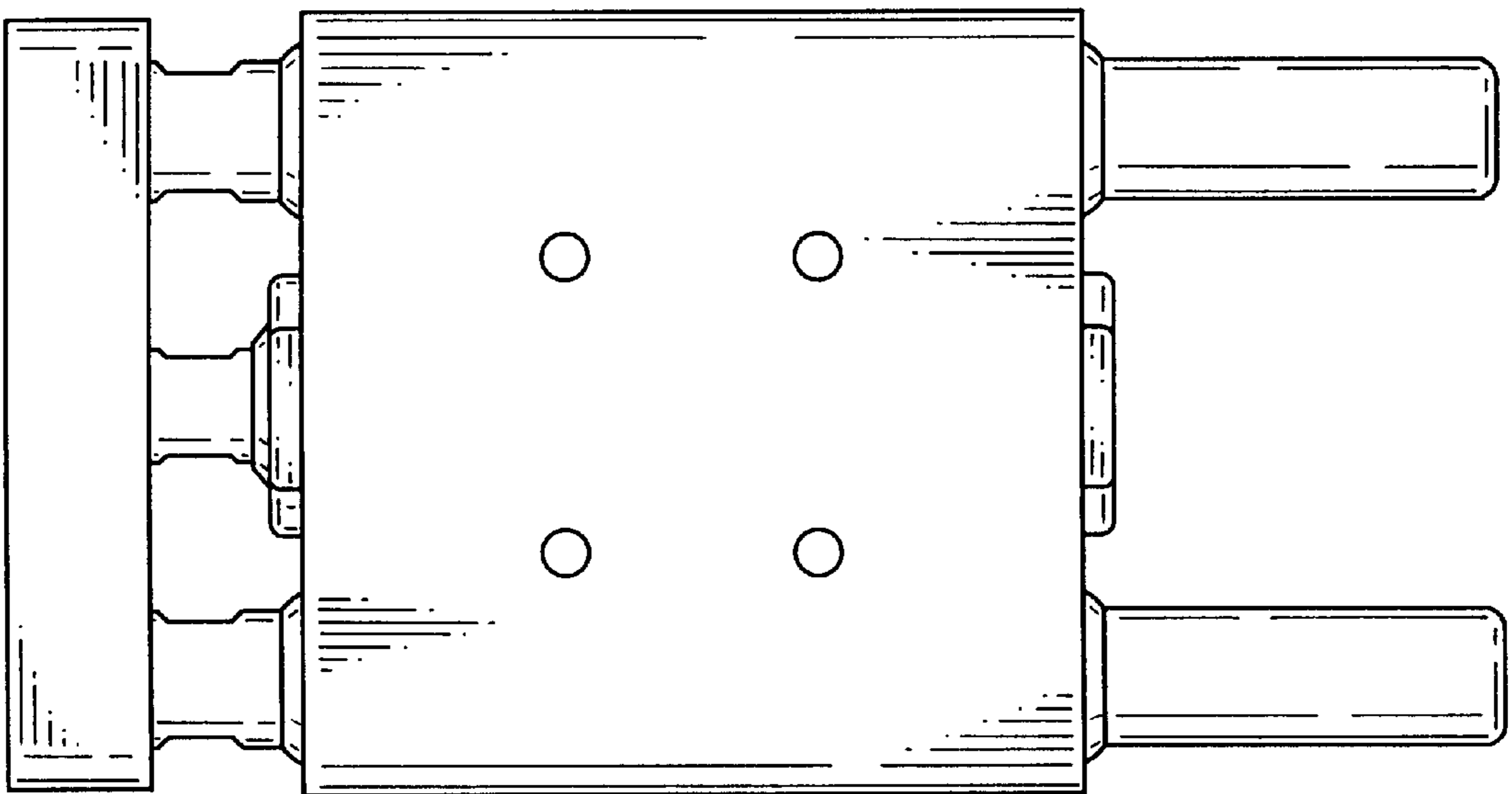


FIG. 5

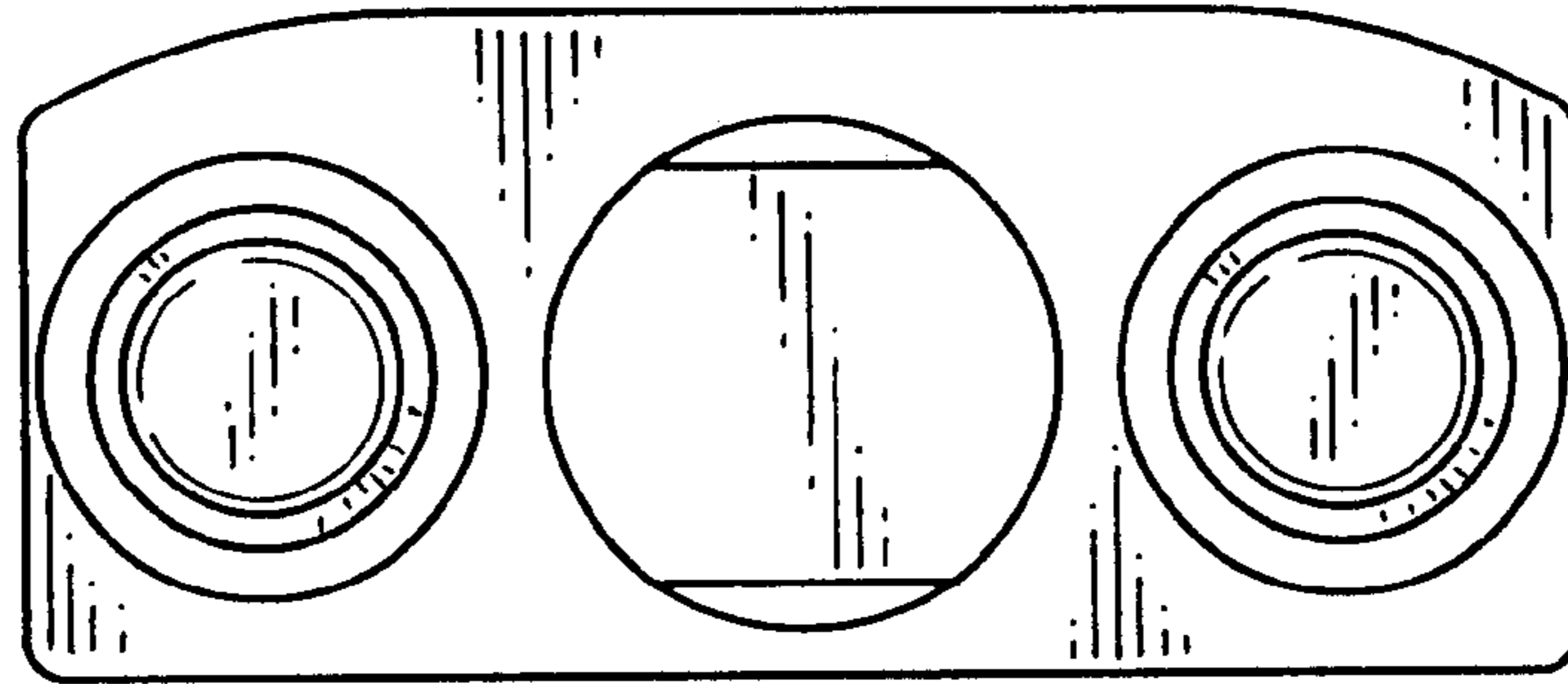


FIG. 6

