



US00D461732S

(12) **United States Design Patent**
Stickels

(10) **Patent No.:** **US D461,732 S**

(45) **Date of Patent:** **** Aug. 20, 2002**

(54) **PORTABLE PERFORMANCE TEST STAND
FOR SCALED RADIO-CONTROLLED NITRO
CARS**

(76) **Inventor:** **Michael G. Stickels**, 204 Gary St., Apt.
2, Rochelle, IL (US) 61068

(**) **Term:** **14 Years**

(21) **Appl. No.:** **29/137,904**

(22) **Filed:** **Feb. 28, 2001**

(51) **LOC (7) Cl.** **10-04**

(52) **U.S. Cl.** **D10/83**

(58) **Field of Search** D10/83; D12/97;
73/117-117.3, 123-128, 862, 862.14-862.18

(56) **References Cited**

U.S. PATENT DOCUMENTS

D366,433 S * 1/1996 Evans et al. D10/83

6,257,054 B1 * 7/2001 Rostkowski et al. 73/117

* cited by examiner

Primary Examiner—Antoine Duval Davis

(74) *Attorney, Agent, or Firm*—Keith Frantz

(57) **CLAIM**

The ornamental design for a portable performance test stand for scaled radio-controlled nitro cars, as shown and described.

DESCRIPTION

FIG. 1 is a front perspective view showing my new design. FIG. 2 is a rear perspective thereof. FIG. 3 is a top plan view thereof. FIG. 4 is a front elevation view thereof. FIG. 5 is a bottom plan view thereof. FIG. 6 is a rear elevation view thereof; and, FIGS. 7 and 8 are left and right end views, respectively, thereof.

1 Claim, 4 Drawing Sheets

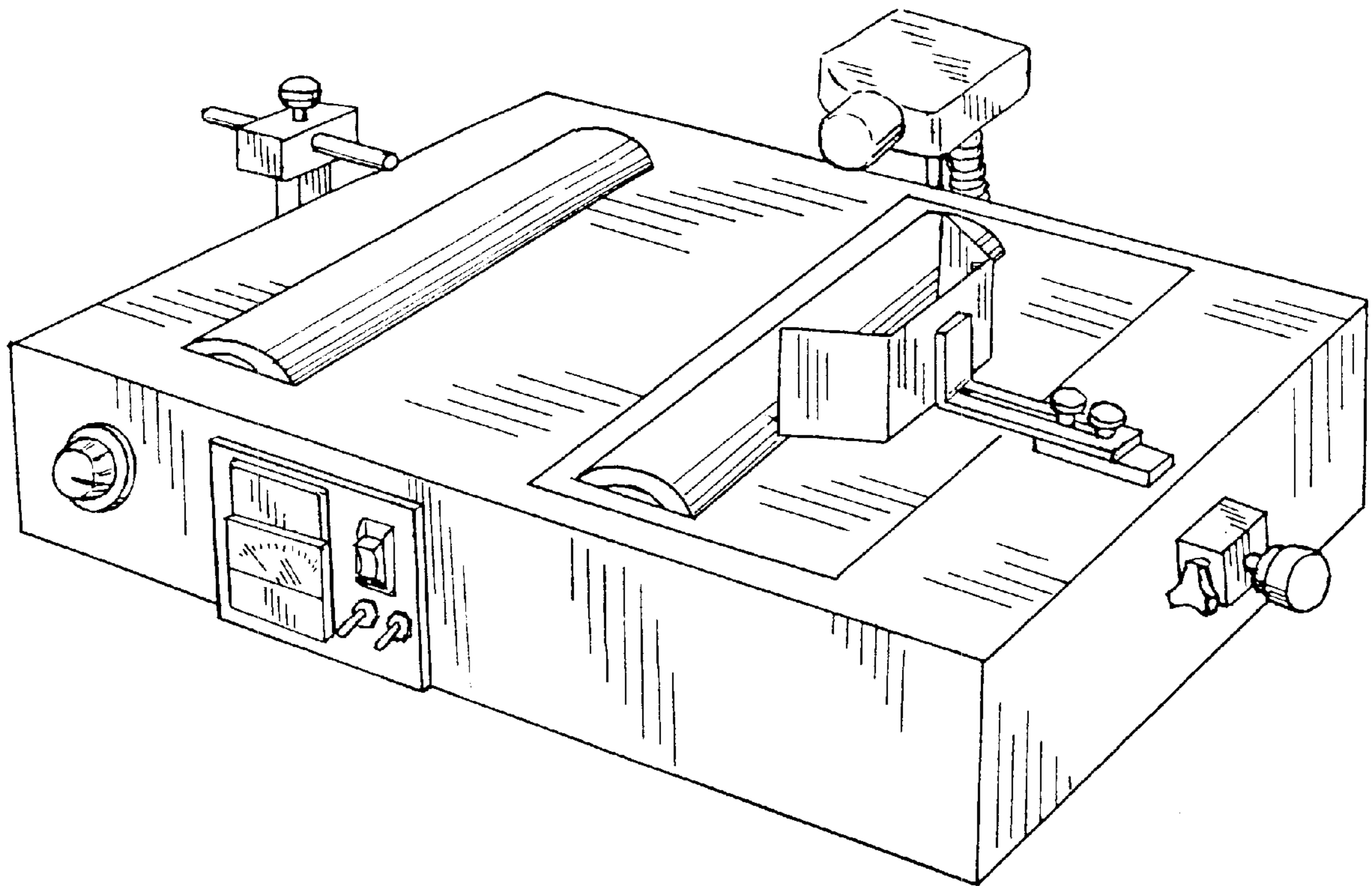


FIG. 1

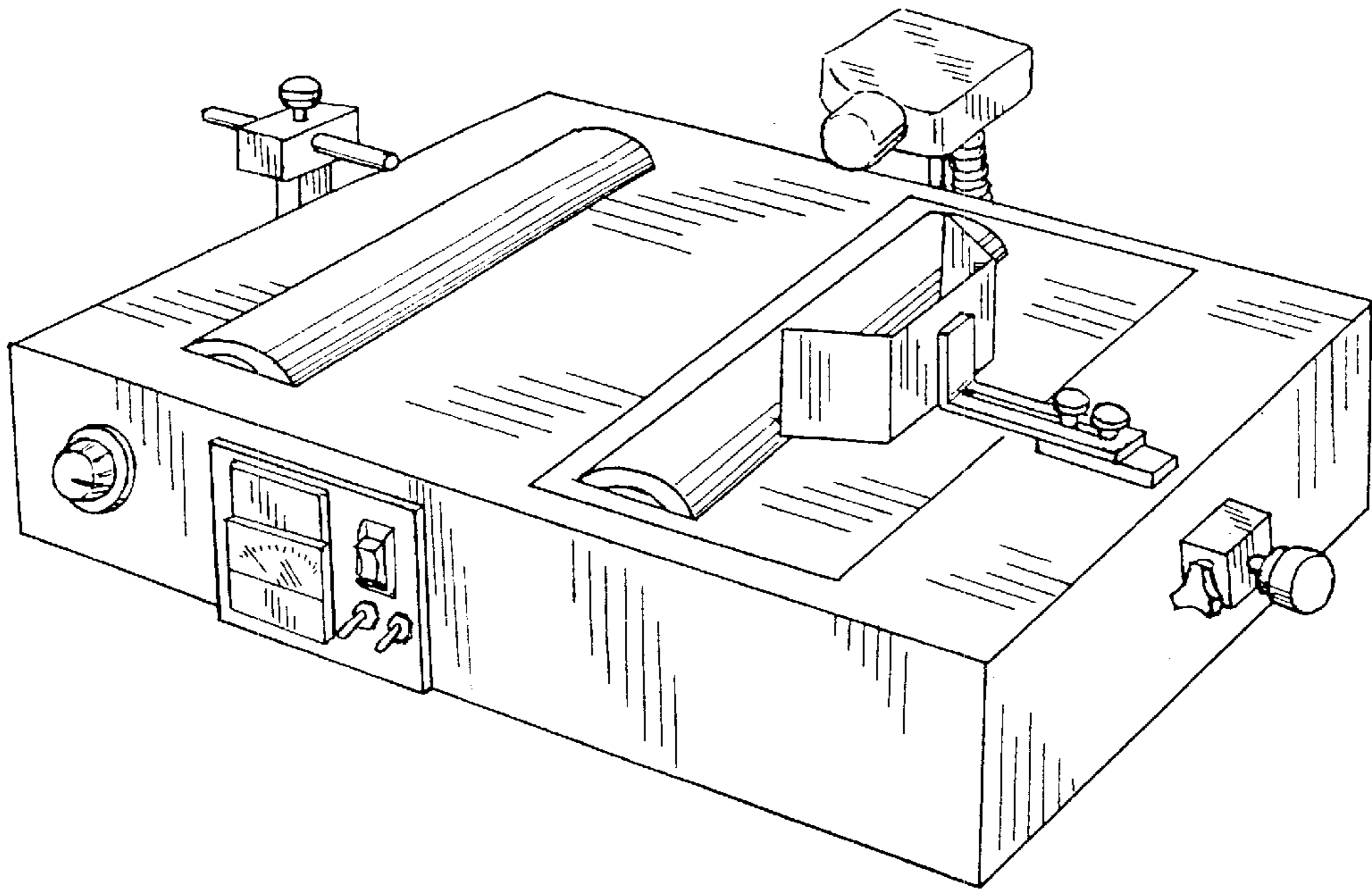


FIG. 2

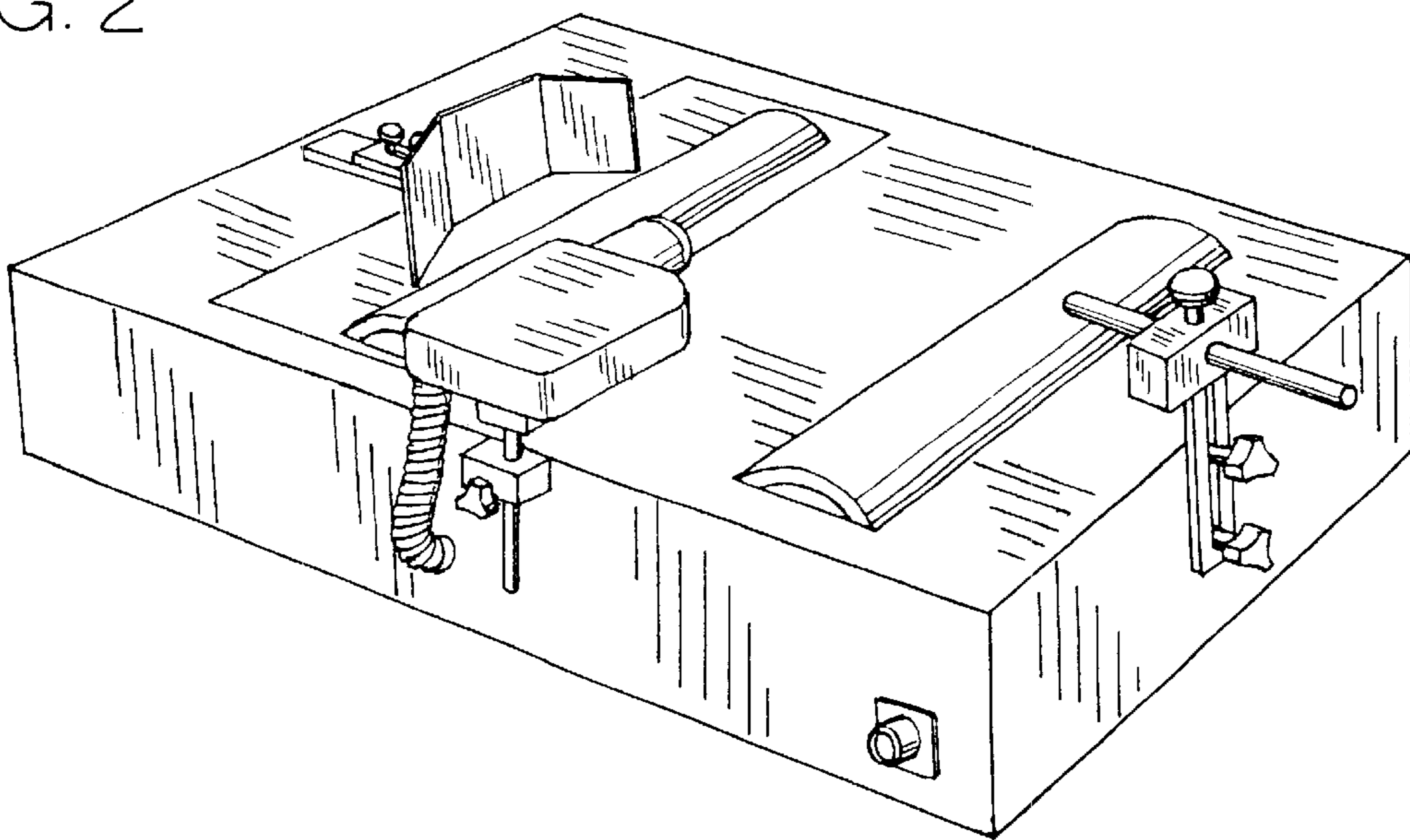


FIG. 3

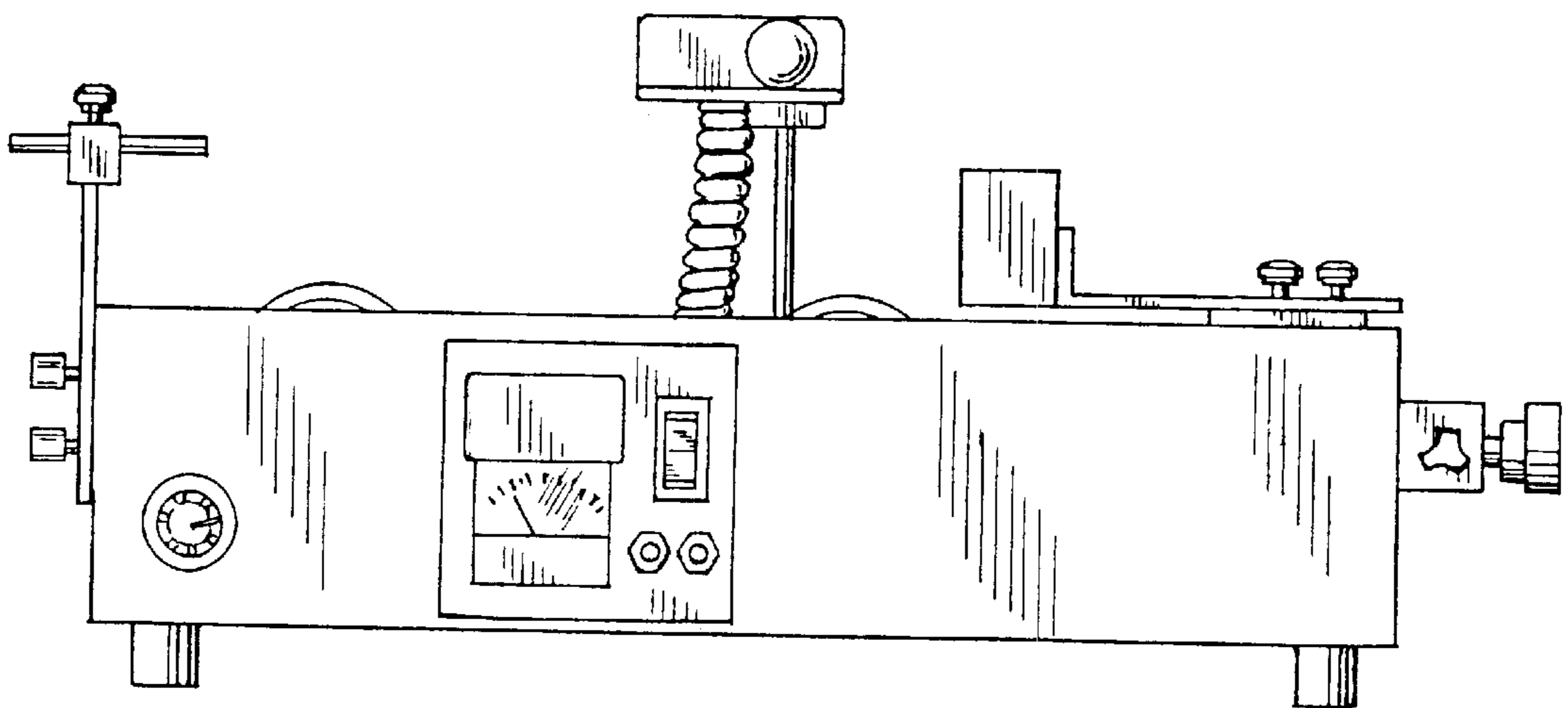
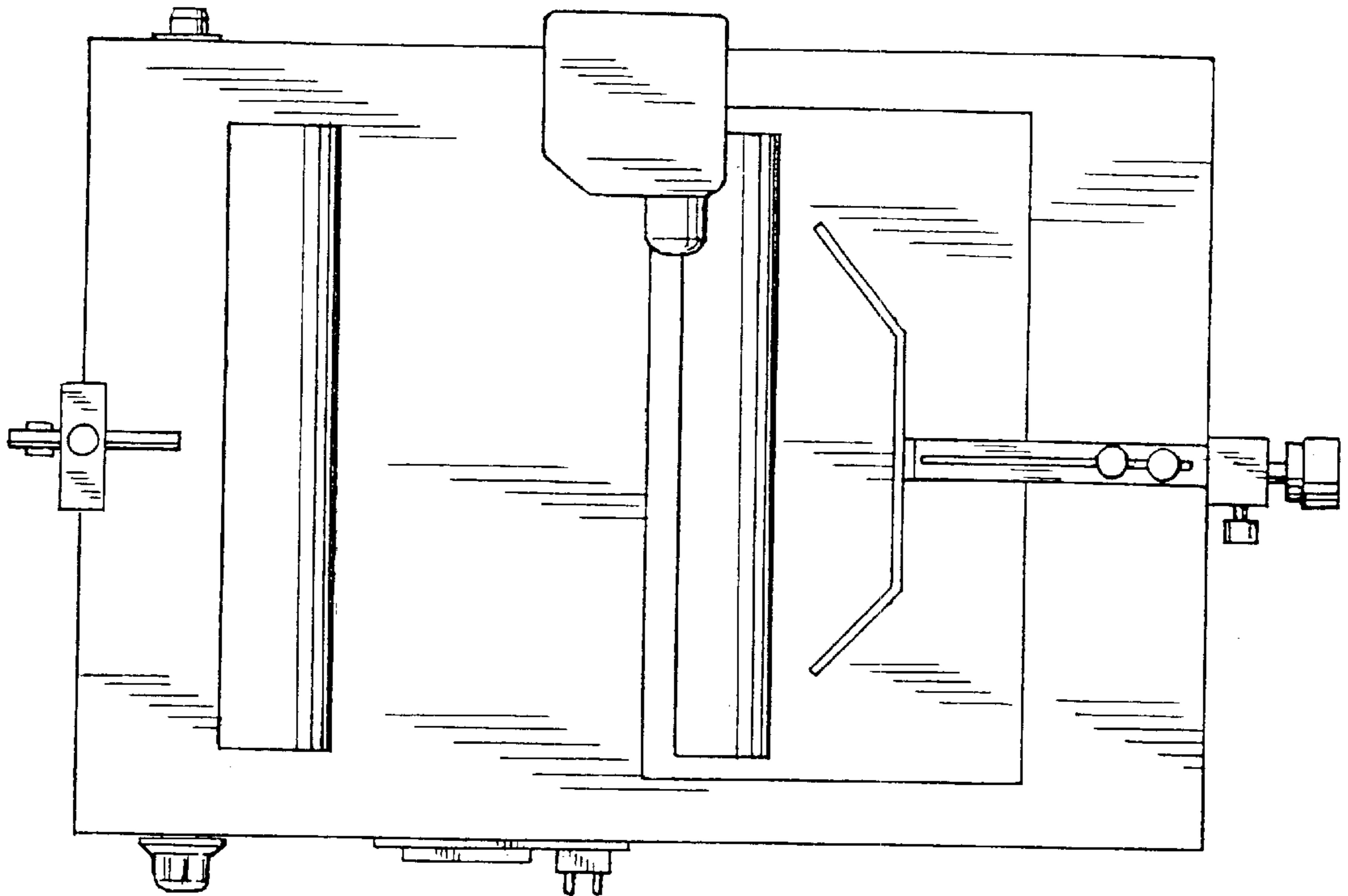


FIG. 4

FIG. 5

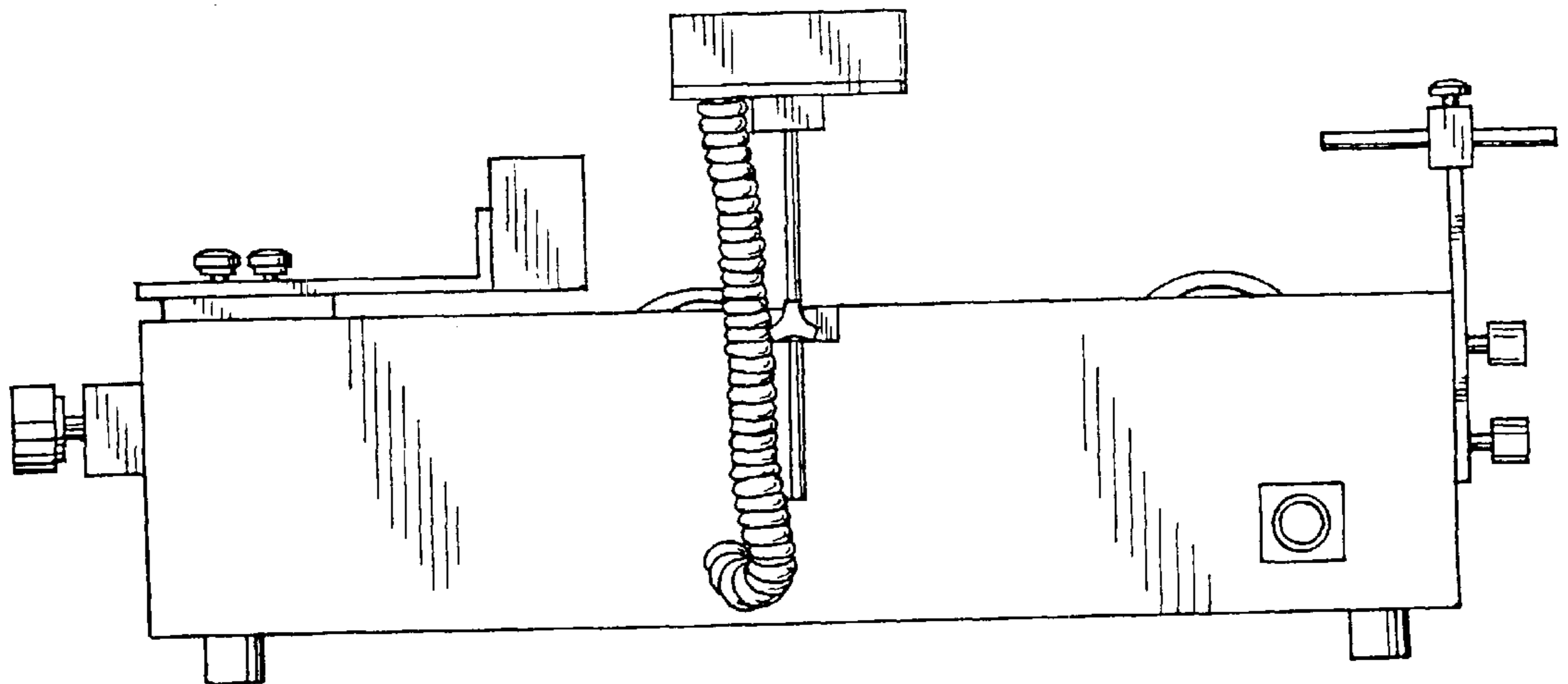
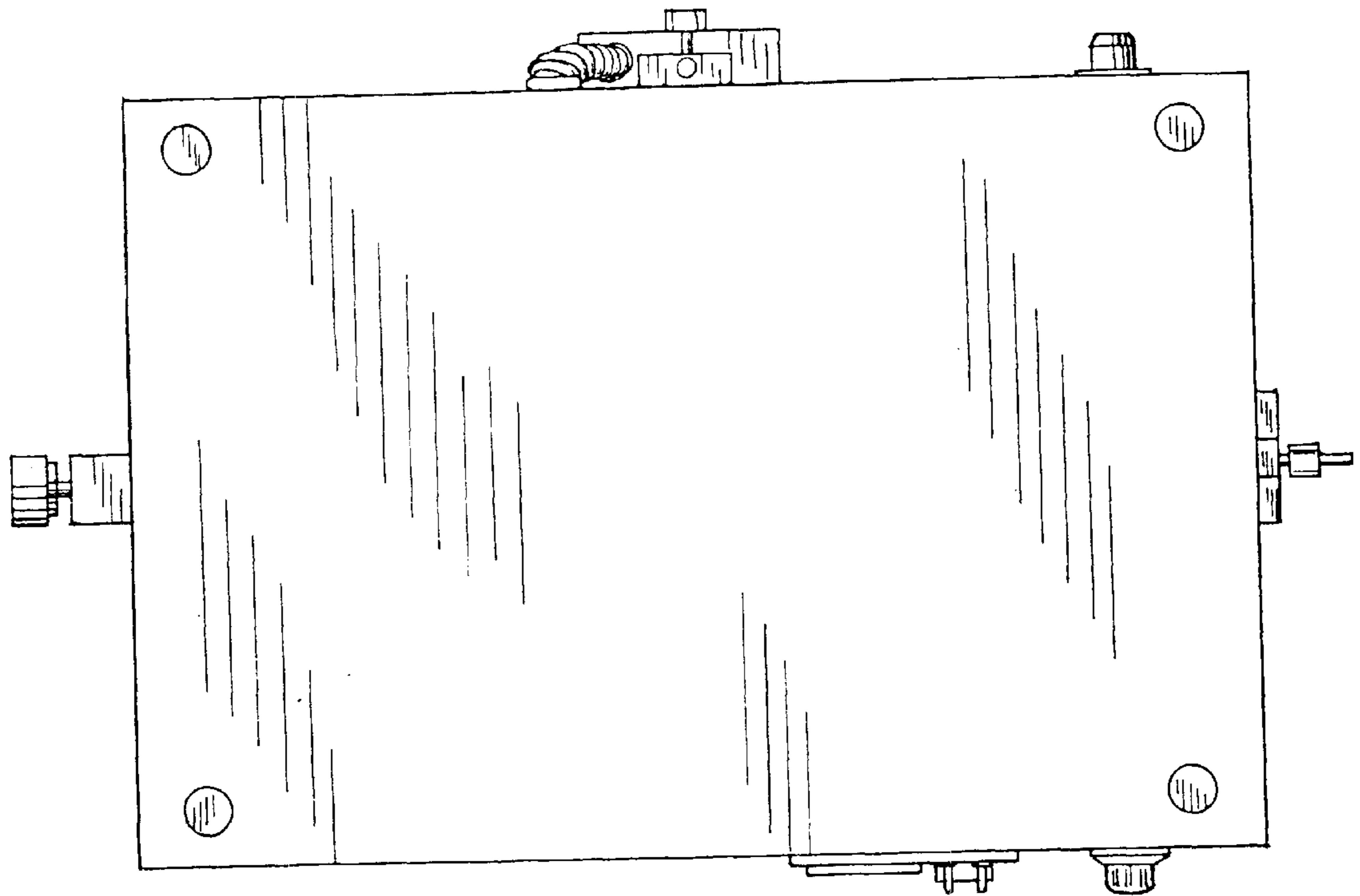


FIG. 6

FIG. 7

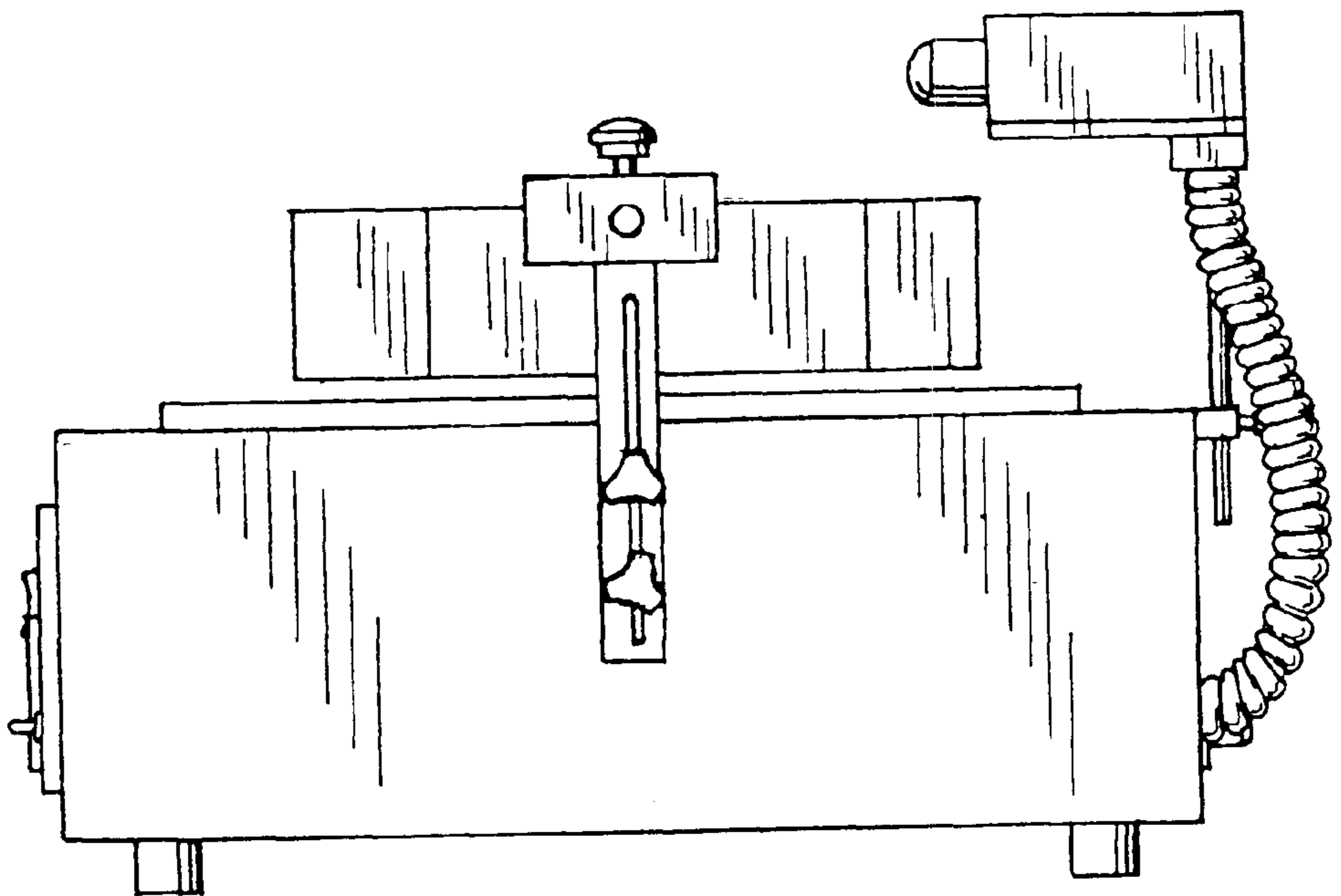
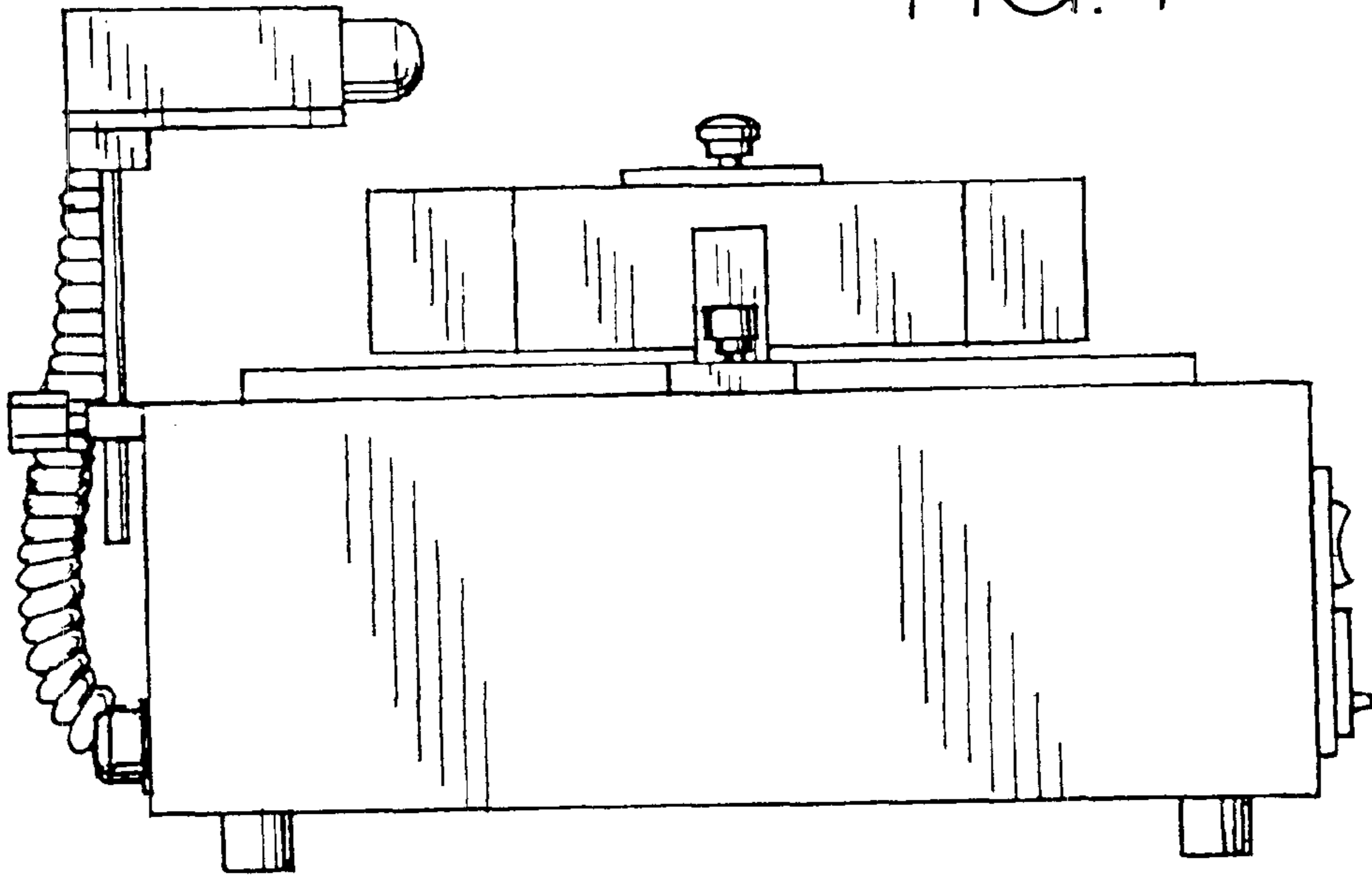


FIG. 8