



US00D461729S

(12) **United States Design Patent**
Addink et al.

(10) **Patent No.:** **US D461,729 S**

(45) **Date of Patent:** **** Aug. 20, 2002**

(54) **SPIKELESS WATER COLLECTOR FOR IRRIGATION SYSTEM**

(75) Inventors: **John Addink; Kirk Buhler**, both of Riverside, CA (US)

(73) Assignee: **Aqua Conservation Systems, Inc.**, Riverside, CA (US)

(*) Notice: This patent is subject to a terminal disclaimer.

(**) Term: **14 Years**

(21) Appl. No.: **29/140,450**

(22) Filed: **Apr. 17, 2001**

Related U.S. Application Data

(63) Continuation-in-part of application No. 29/124,392, filed on Jun. 5, 2000, now Pat. No. Des. 444,079.

(51) **LOC (7) Cl.** **10-04**

(52) **U.S. Cl.** **D10/56**

(58) **Field of Search** D10/56, 101; 73/170.17, 73/170.21, 170.23

(56) **References Cited**

U.S. PATENT DOCUMENTS

D444,079 S * 6/2001 Addink et al. D10/56

* cited by examiner

Primary Examiner—Antoine Duval Davis
(74) *Attorney, Agent, or Firm*—Rutan & Tucker, LLP; Robert D. Fish

(57) **CLAIM**

The ornamental design of a spikeless water for irrigation system collector, as shown and described.

DESCRIPTION

FIG. 1 is a top, rear, left side perspective view of a preferred embodiment.

FIG. 2 is a top plan view of a preferred embodiment.

FIG. 3 is a bottom plan view of a preferred embodiment.

FIG. 4 is a rear elevation of a preferred embodiment.

FIG. 5 is a left side elevation (right side being mirror image) of a preferred embodiment.

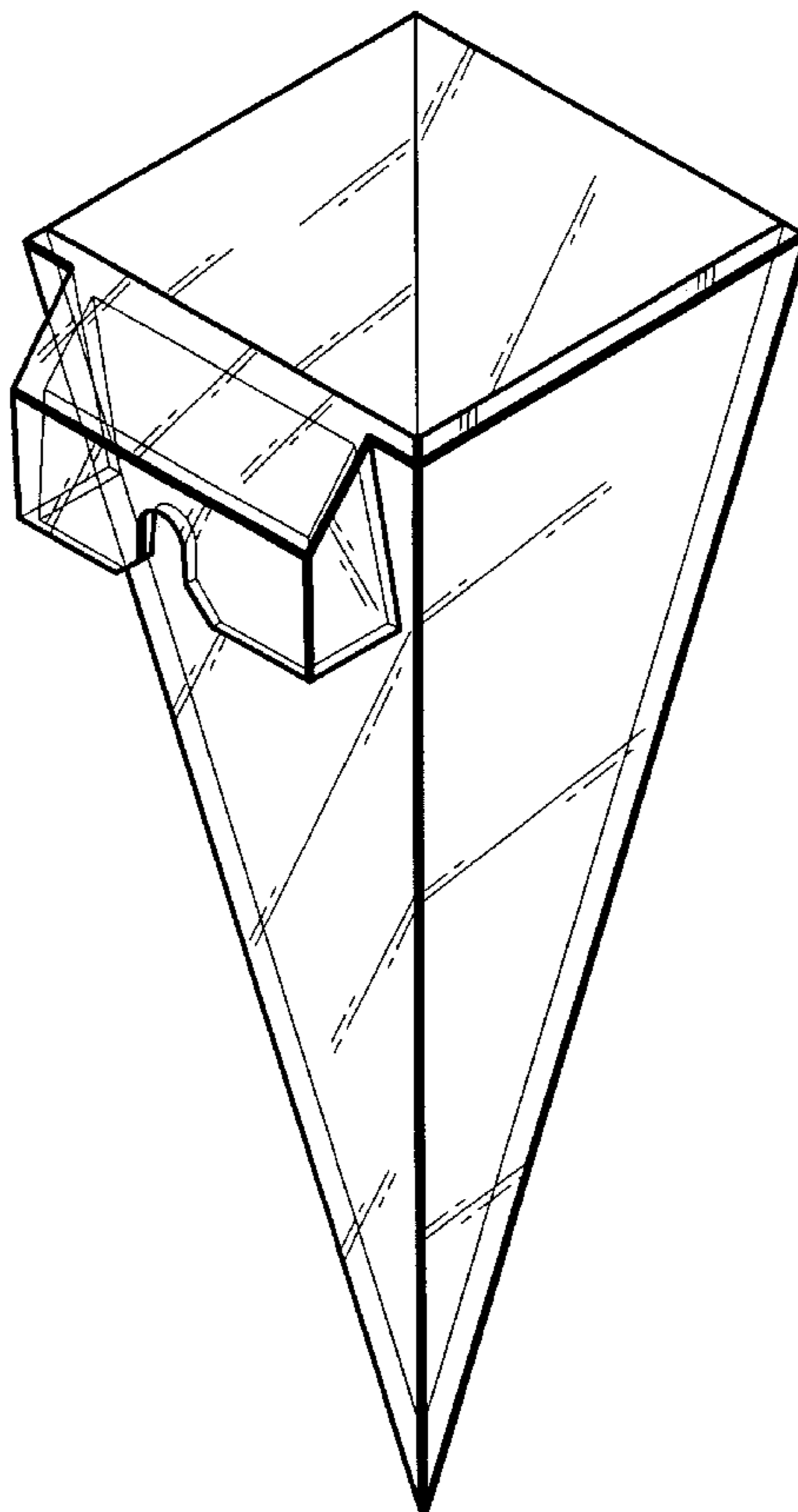
FIG. 6 is a front elevation of a preferred embodiment.

FIG. 7 is a top, rear, left side perspective view of an alternate embodiment.

FIG. 8 is a top, rear, left side perspective view of an alternate embodiment; and,

FIG. 9 is a top, rear, left side perspective view of an alternate embodiment.

1 Claim, 4 Drawing Sheets



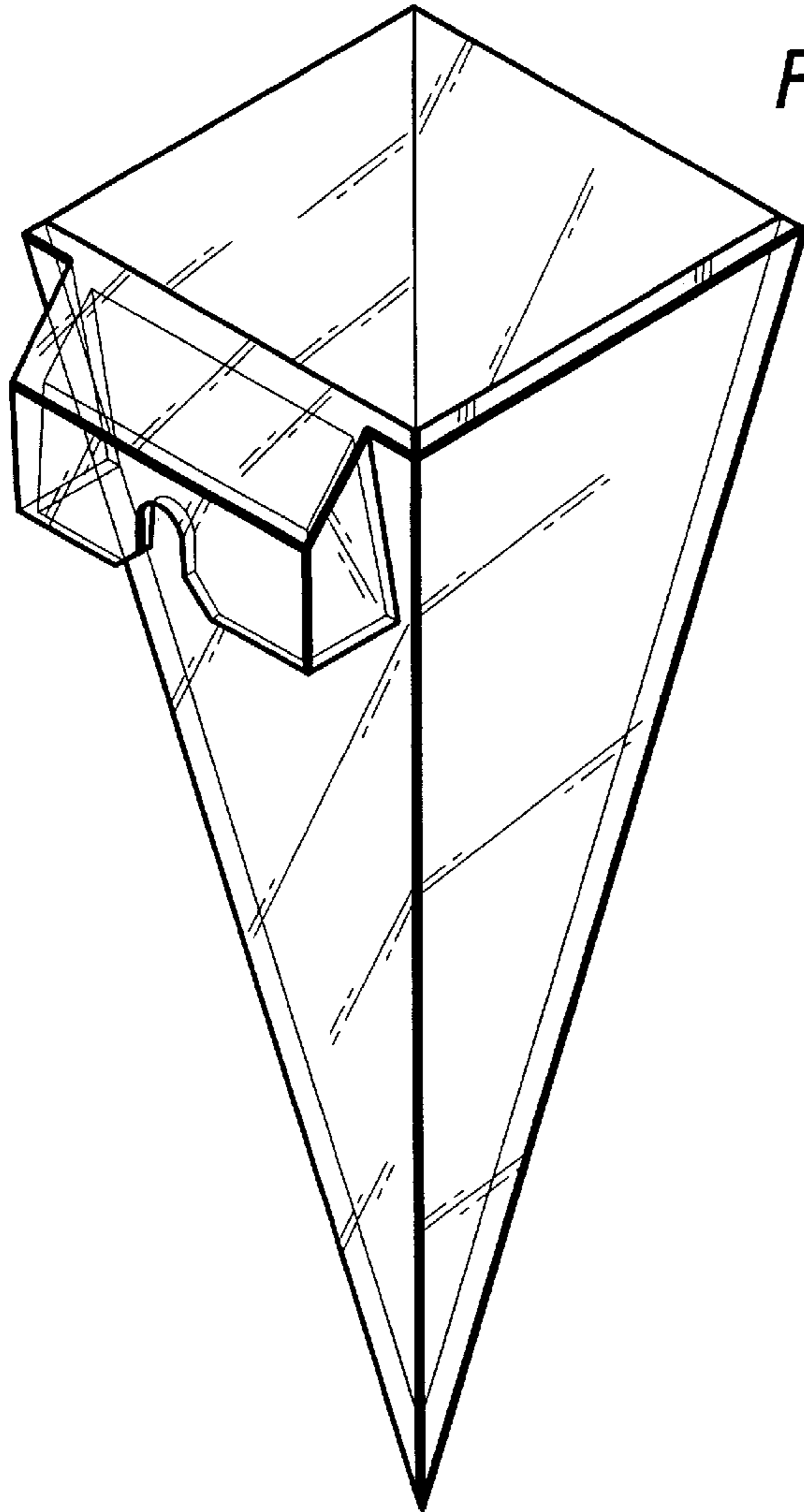


FIG. 1

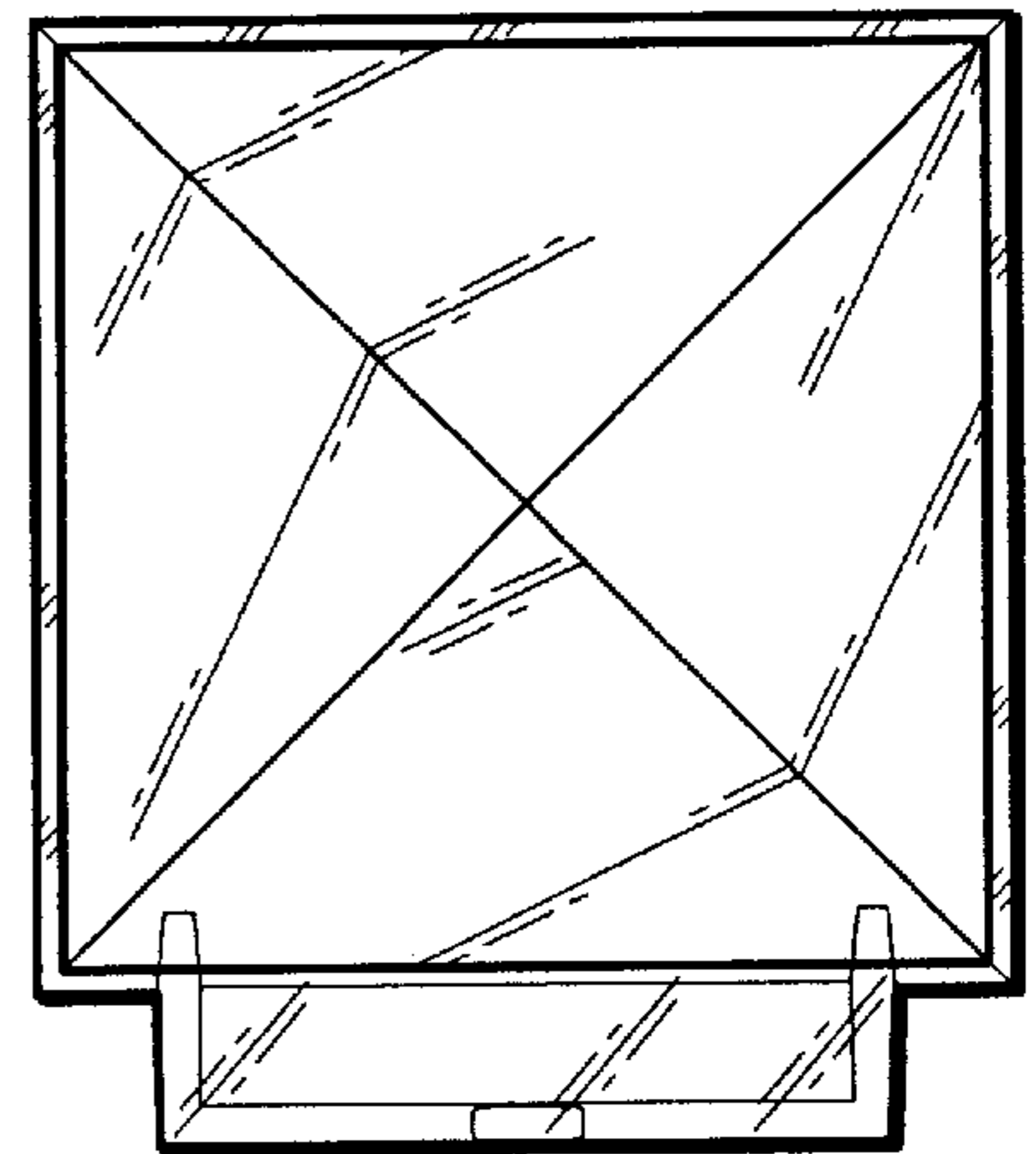


FIG. 2

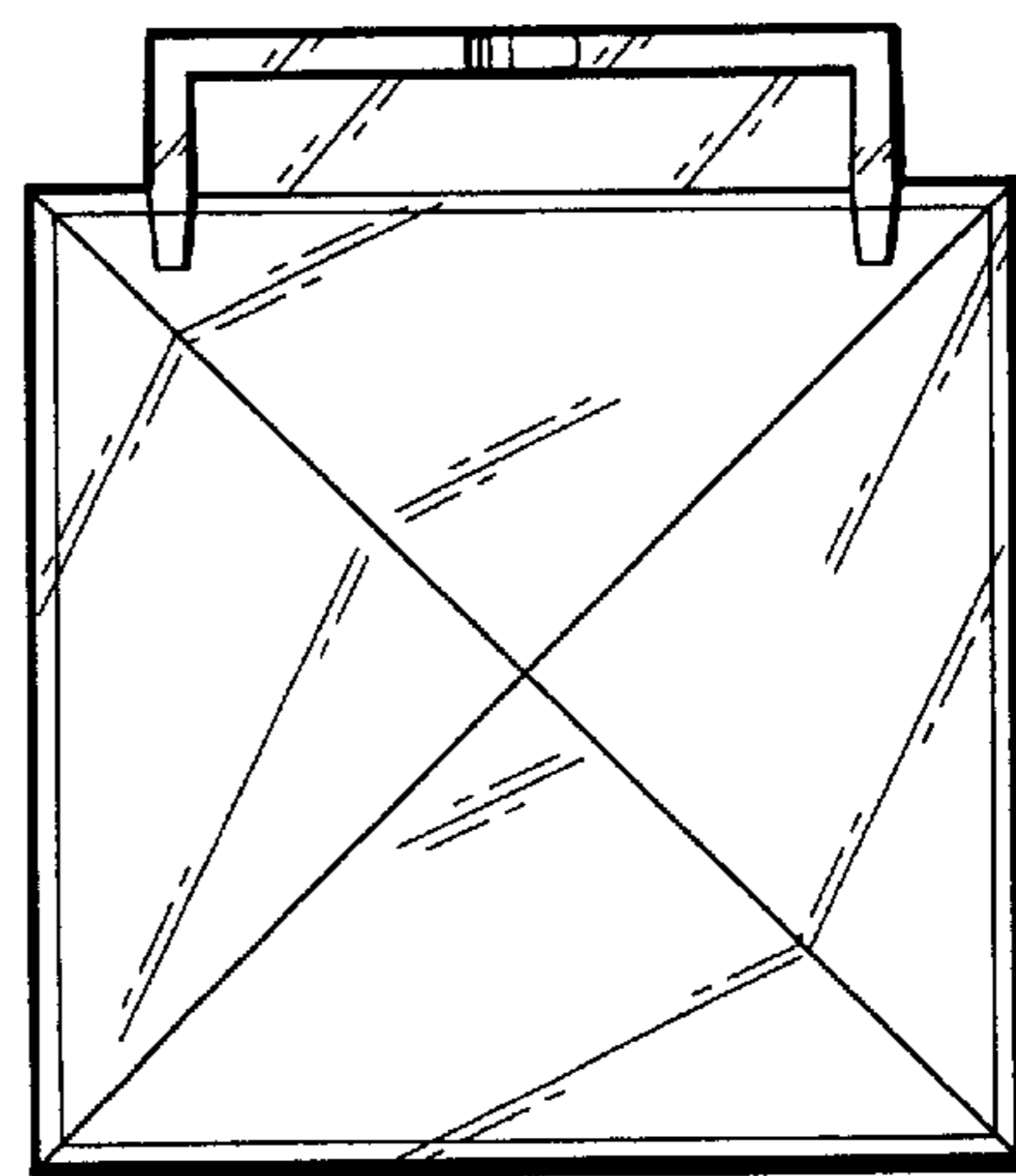


FIG. 3

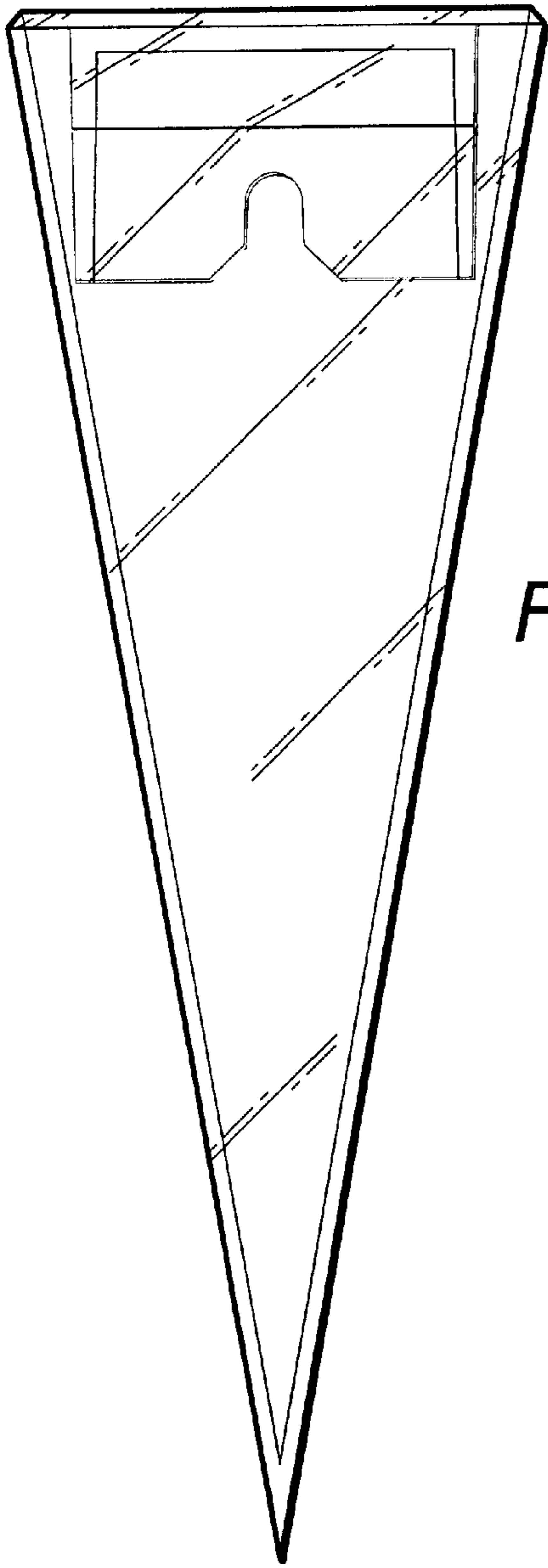


FIG. 4

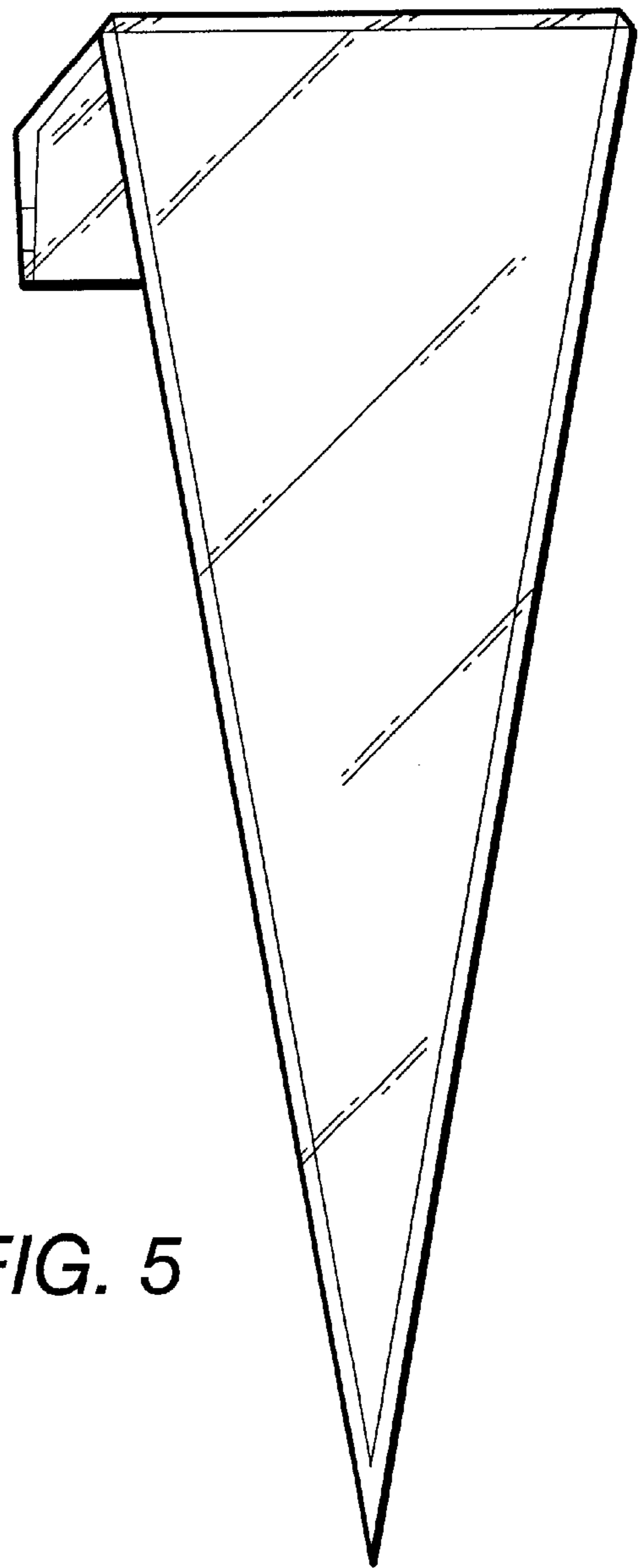


FIG. 5

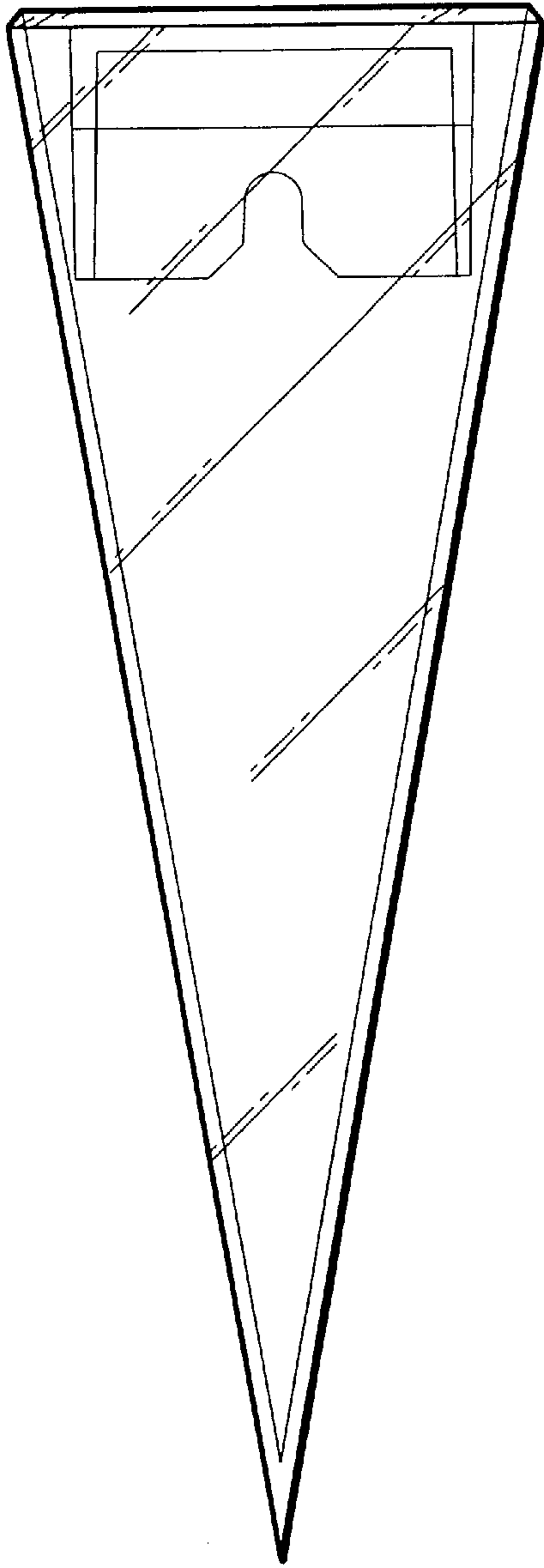


FIG. 6

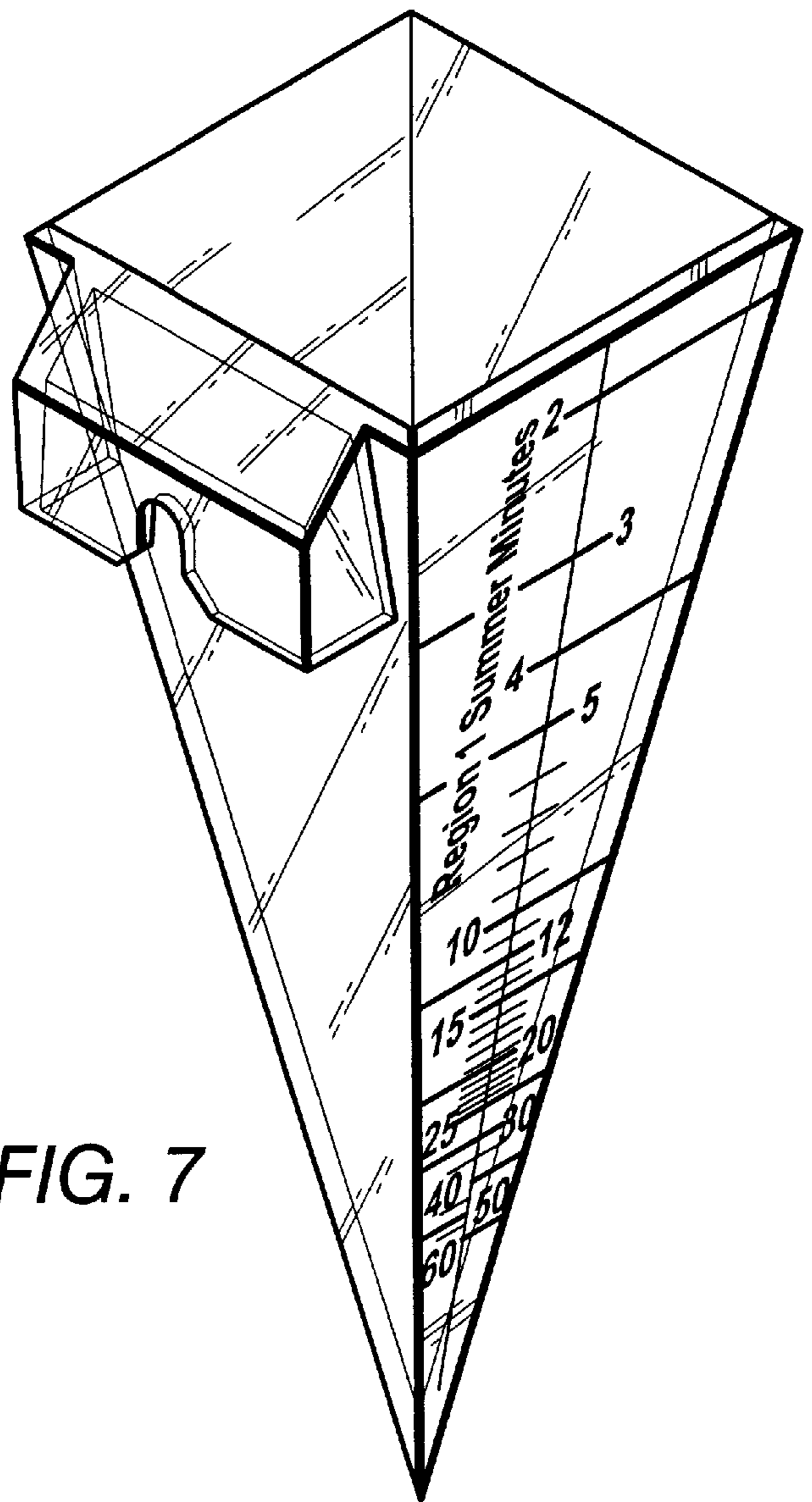


FIG. 7

FIG. 8

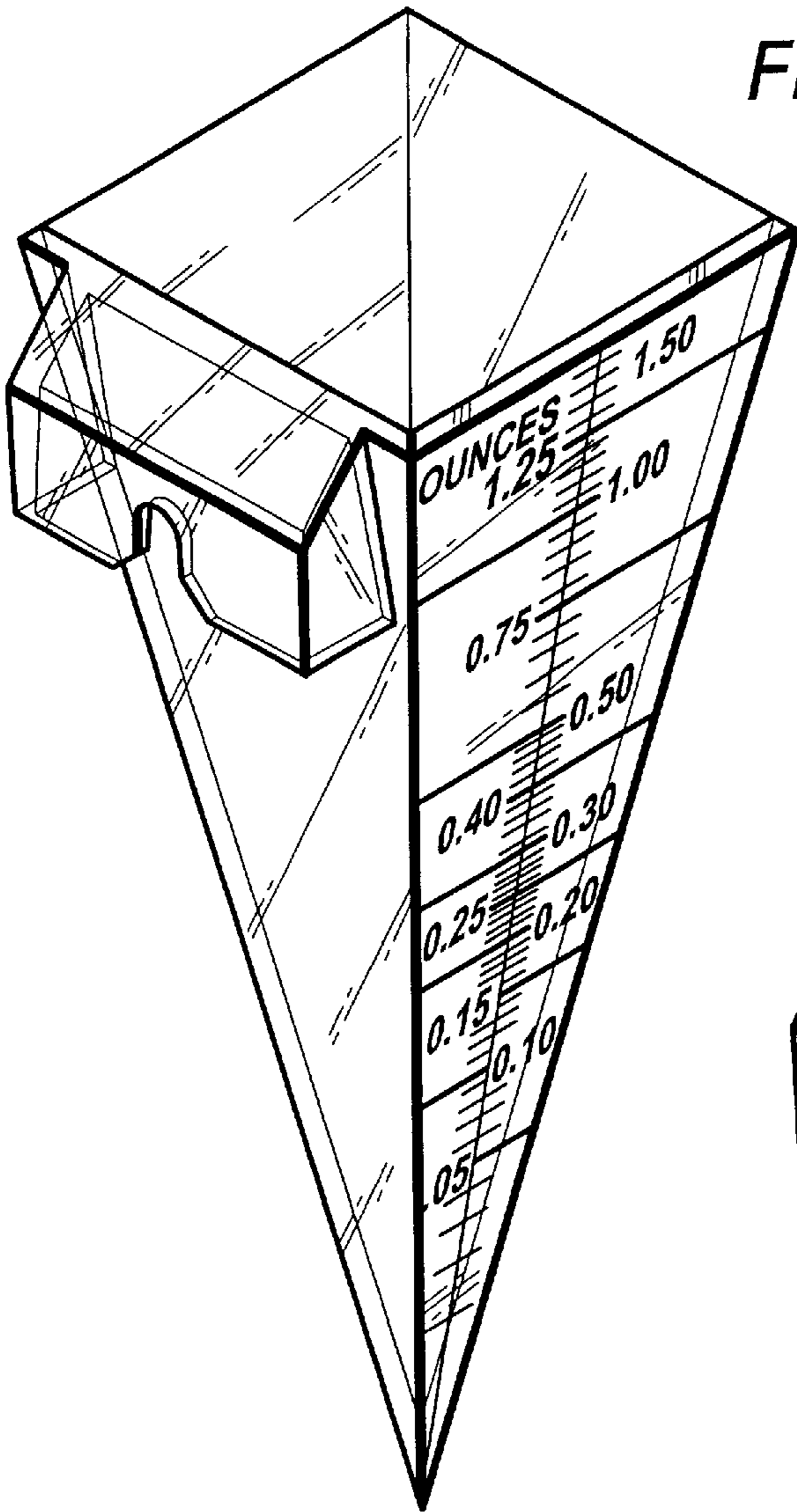


FIG. 9

