



US00D461722S

(12) **United States Design Patent**  
**Kojima**

(10) **Patent No.:** **US D461,722 S**

(45) **Date of Patent:** **\*\* Aug. 20, 2002**

(54) **WATCH CASE**

D421,396 S \* 3/2000 Nakai ..... D10/31

(75) **Inventor:** **Kenji Kojima**, Oume (JP)

**OTHER PUBLICATIONS**

(73) **Assignee:** **Casio Keisanki Kabushiki Kaisha**,  
Tokyo (JP)

W. Bell Cat.—1987—p. 97—calc. watches#'s 5 & 8.\*

(\*\*) **Term:** **14 Years**

\* cited by examiner

(21) **Appl. No.:** **29/156,302**

*Primary Examiner*—Nelson C. Holtje

(22) **Filed:** **Feb. 25, 2002**

(74) *Attorney, Agent, or Firm*—Frishauf, Holtz, Goodman  
& Chick, P.C.

(51) **LOC (7) Cl.** ..... **10-02**

(57) **CLAIM**

(52) **U.S. Cl.** ..... **D10/30; D10/31**

The ornamental design for a watch case, as shown.

(58) **Field of Search** ..... D10/1-40, 122-132;  
D18/7, 11; 368/41-44, 82-84, 28-30, 239-242,  
276-277, 280-282, 285, 10

**DESCRIPTION**

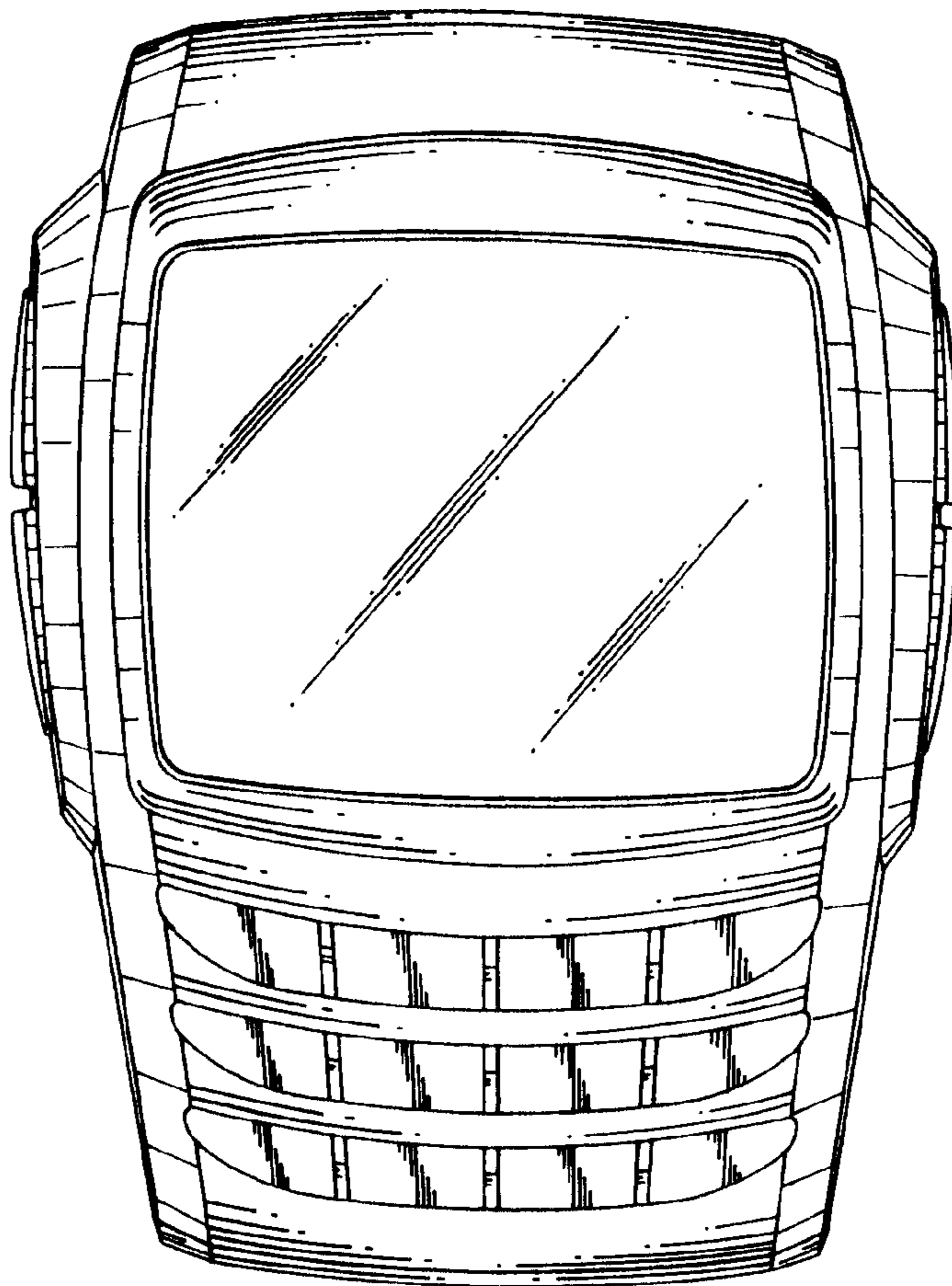
(56) **References Cited**

**U.S. PATENT DOCUMENTS**

D323,622 S	*	2/1992	Morishima	.....	D10/31
5,239,531 A	*	8/1993	Abe	.....	369/109
5,467,324 A	*	11/1995	Houlihan	.....	368/10
5,812,498 A	*	9/1998	Teres	.....	368/10
D421,227 S	*	2/2000	Hiramatsu	.....	D10/31

FIG. 1 is a front elevational view of a watch case showing my new design;  
FIG. 2 is a rear elevational view thereof;  
FIG. 3 is a left side view thereof;  
FIG. 4 is a right side view thereof;  
FIG. 5 is a top plan view thereof;  
FIG. 6 is a bottom plan view thereof; and,  
FIG. 7 is a bottom, front, right side perspective view thereof.

**1 Claim, 7 Drawing Sheets**



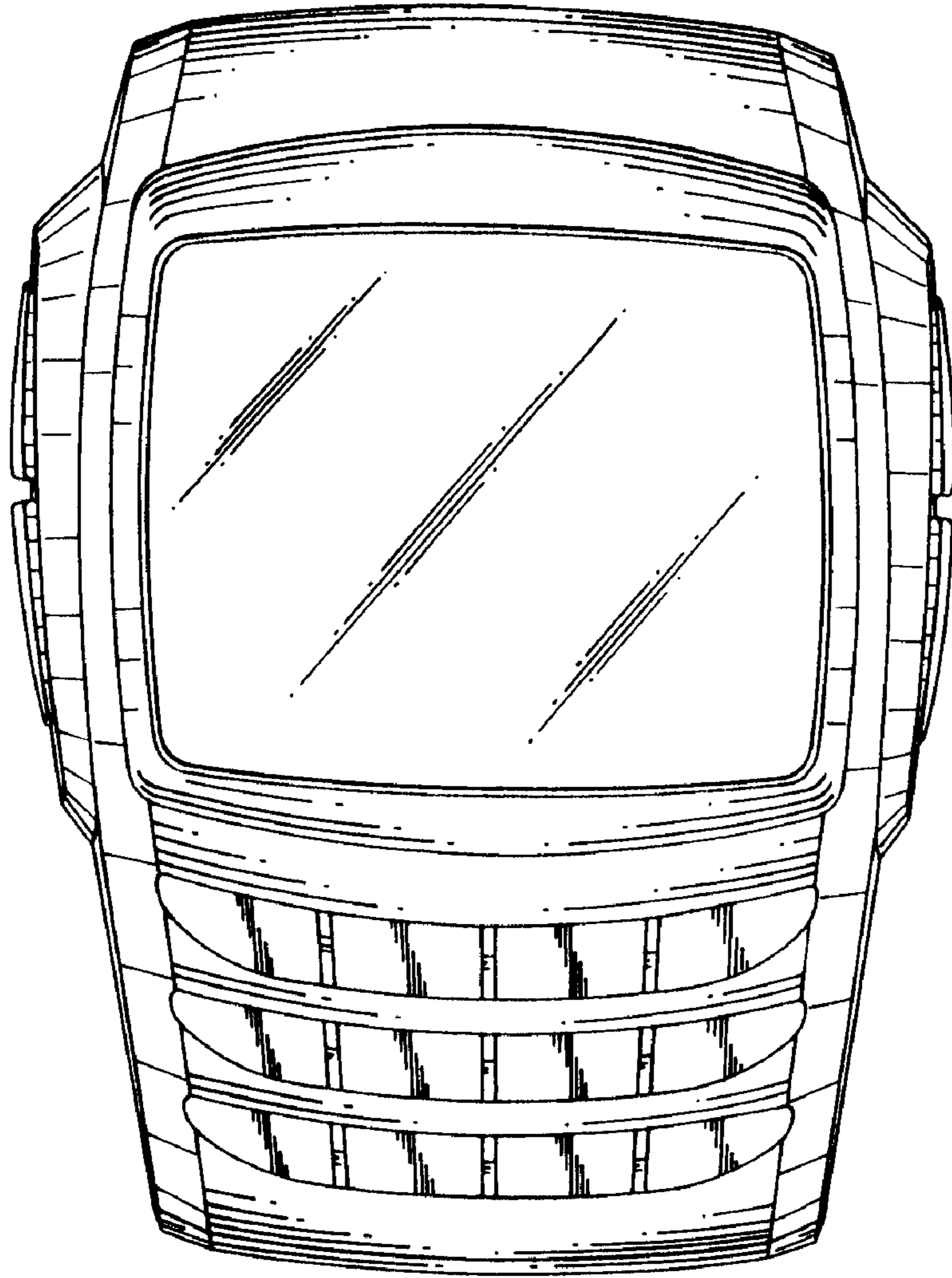


FIG. 1

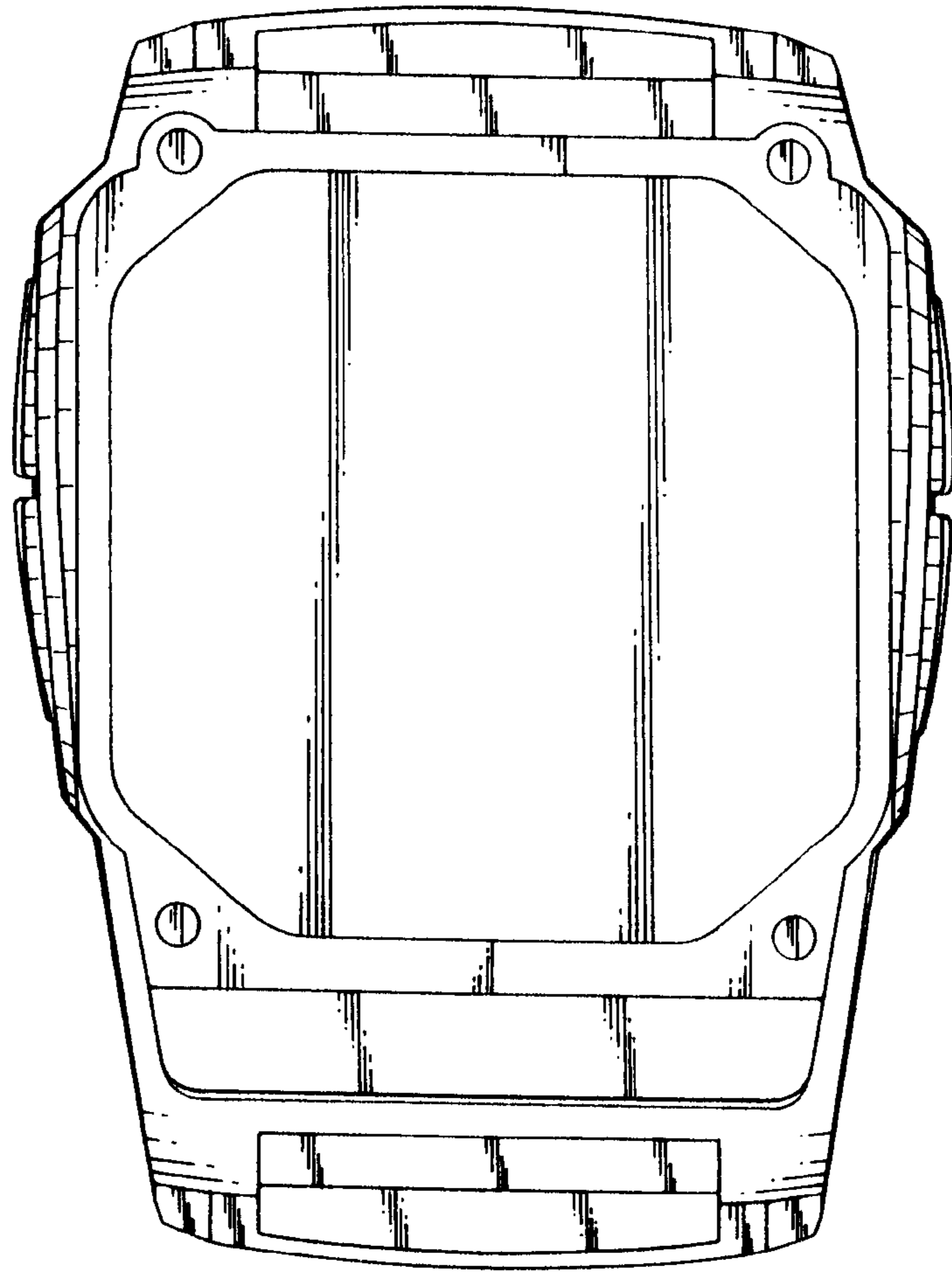


FIG. 2

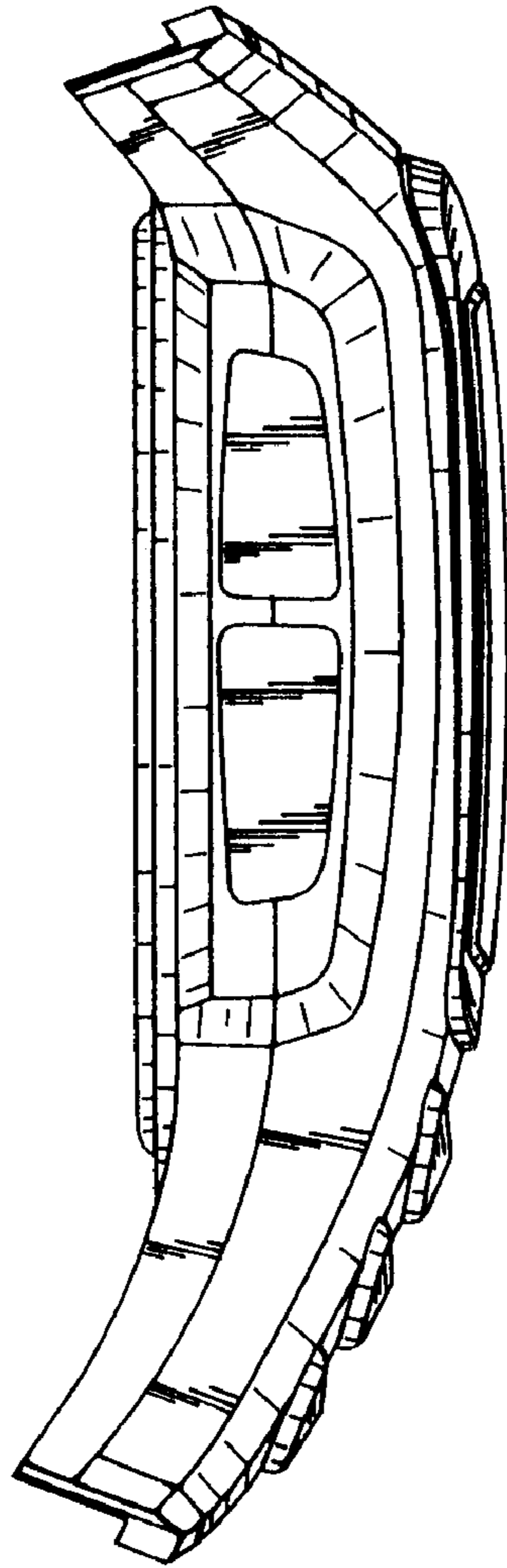


FIG. 3

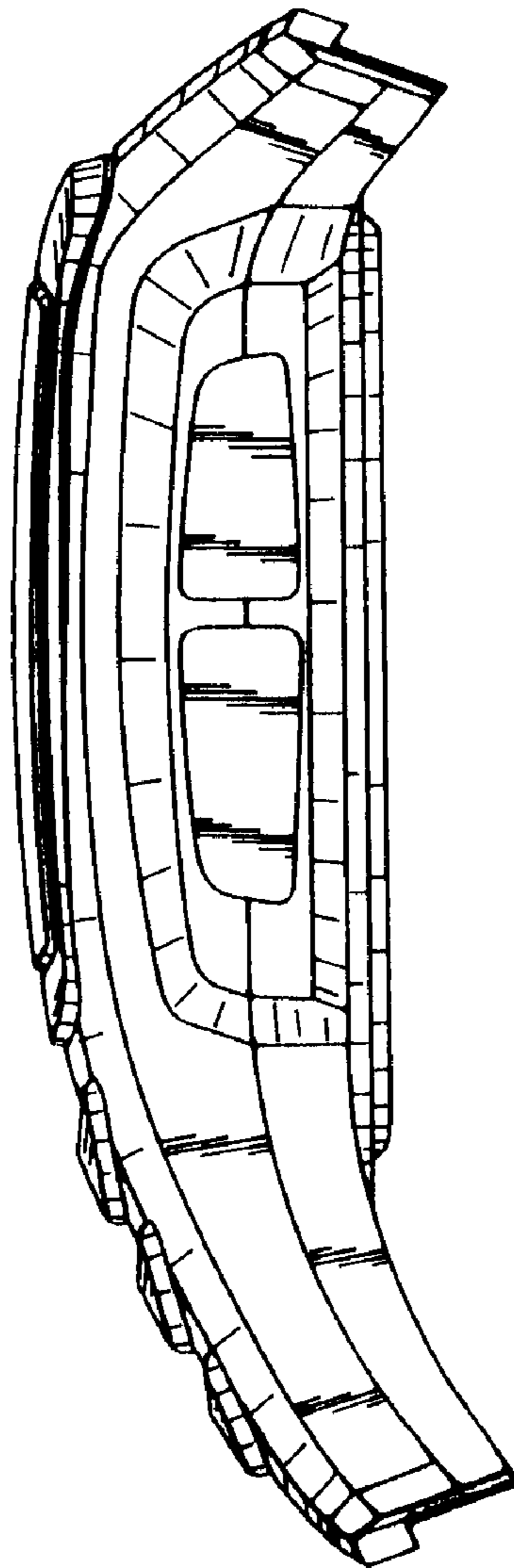


FIG. 4

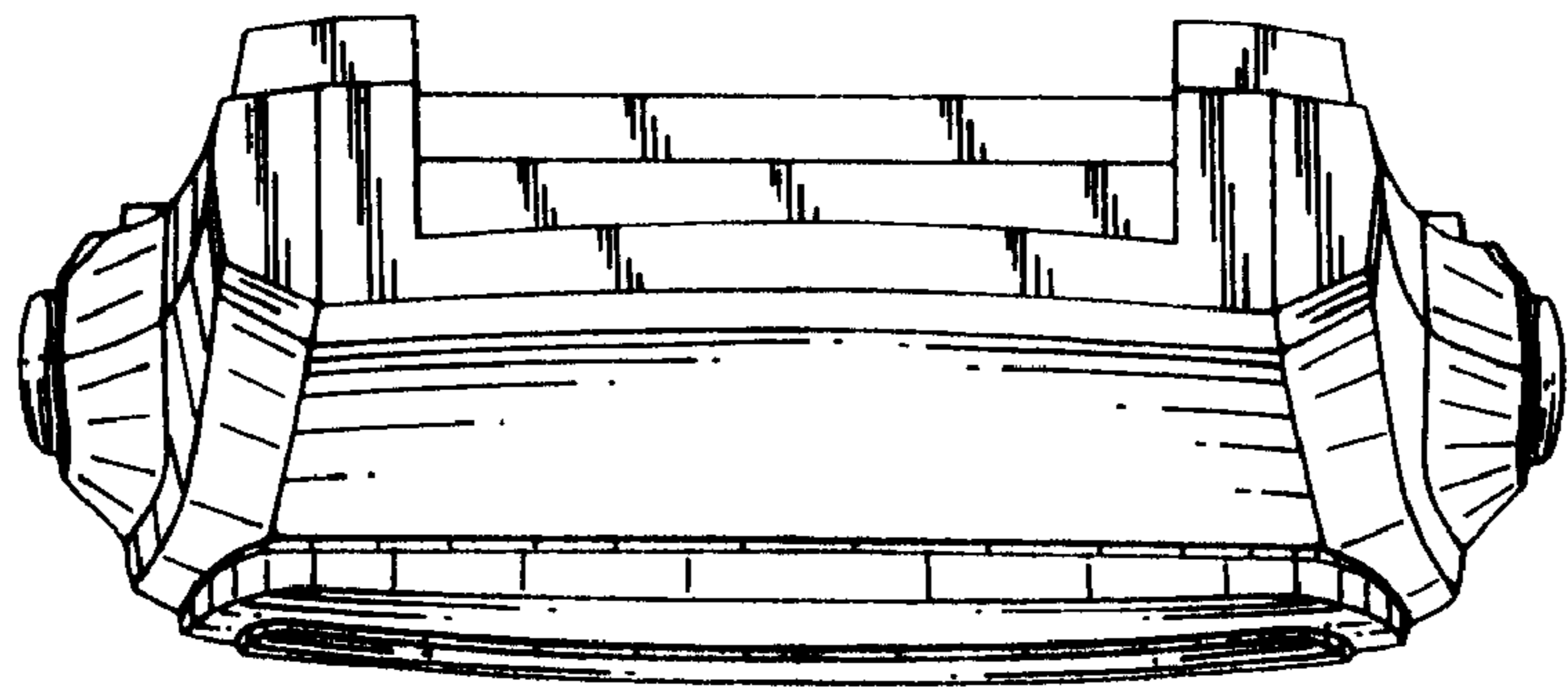


FIG. 5

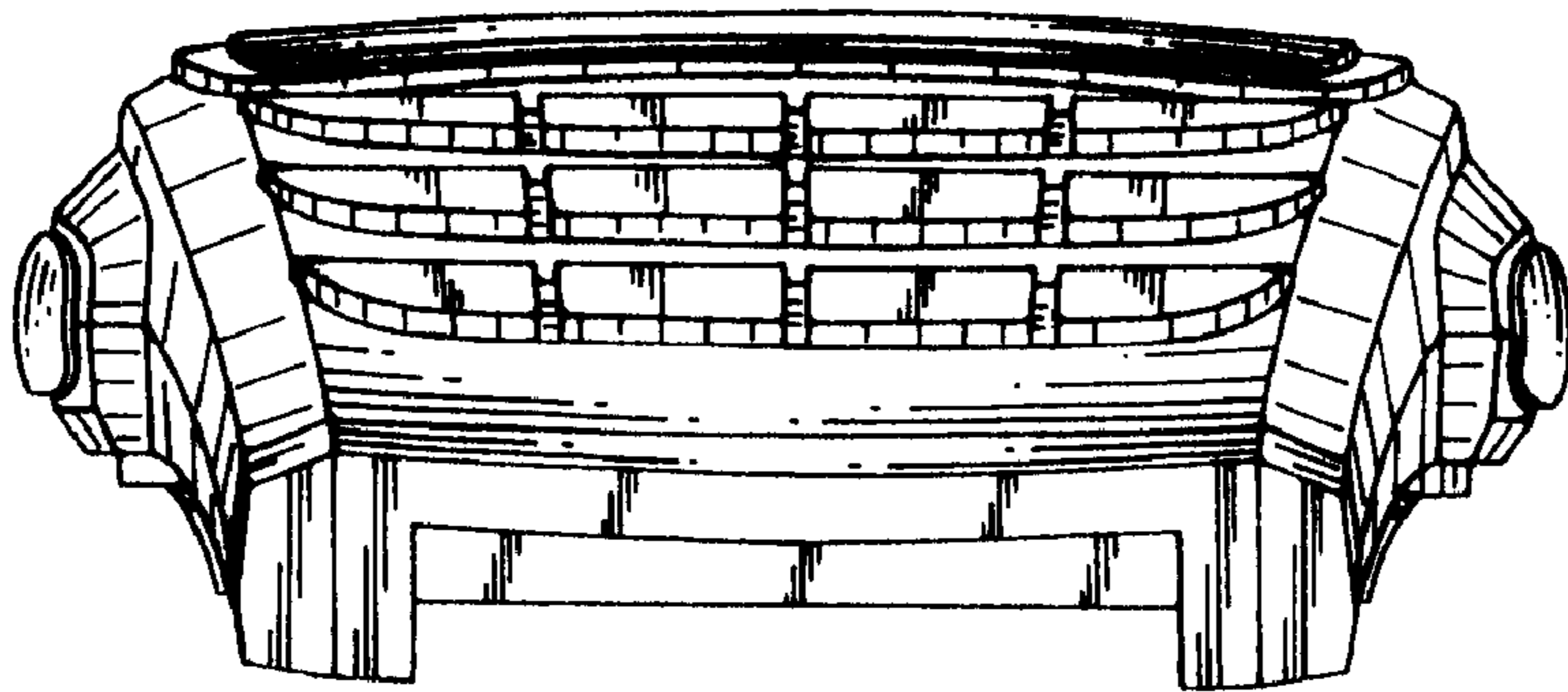


FIG. 6

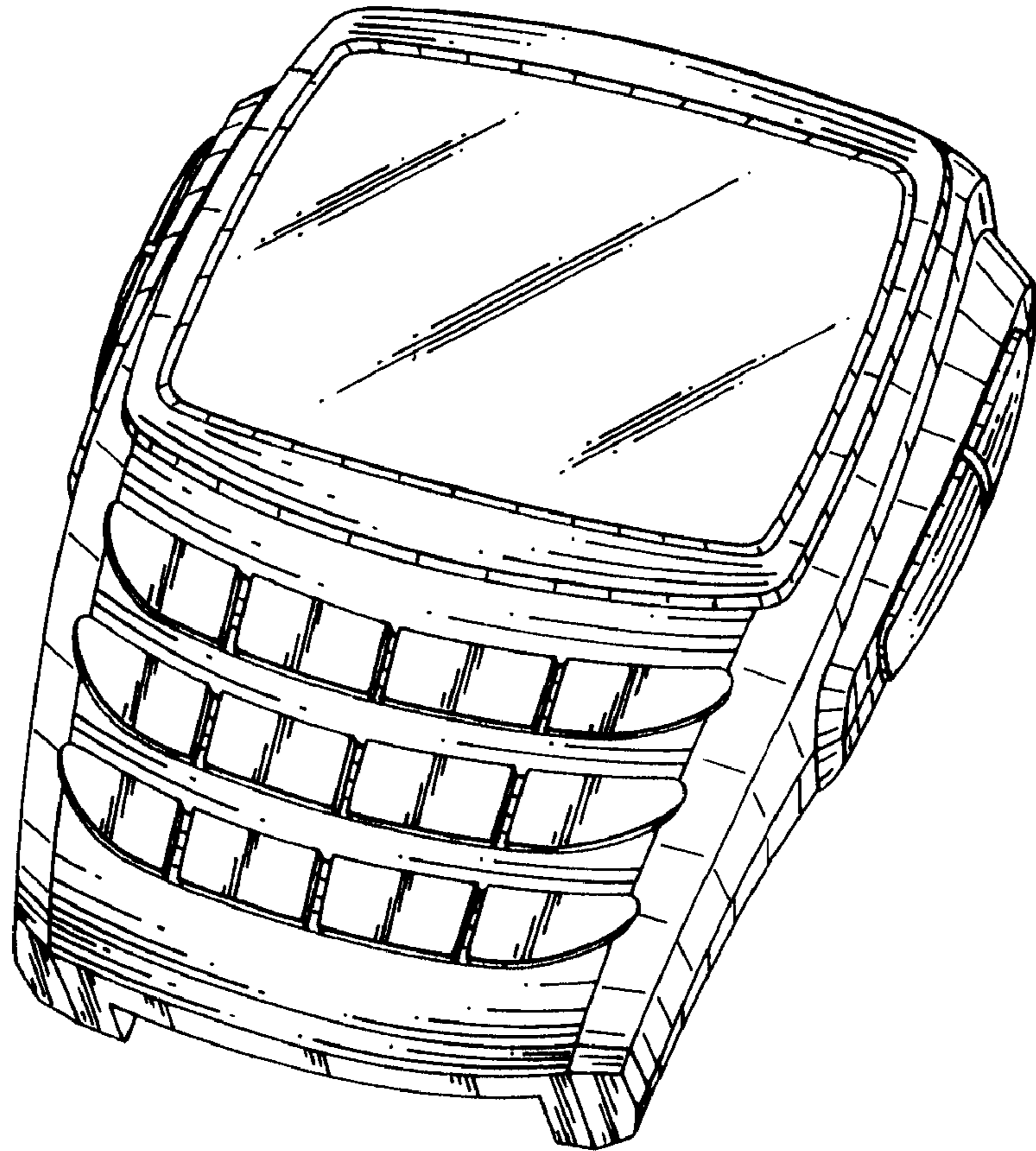


FIG. 7