



US00D461713S

(12) **United States Design Patent**  
**Foreman**

(10) **Patent No.:** **US D461,713 S**

(45) **Date of Patent:** **\*\* Aug. 20, 2002**

(54) **FOOD CARRIER**

6,298,992 B1 \* 10/2001 Tsai ..... 206/194

(75) Inventor: **James R. Foreman**, Bremen, IN (US)

\* cited by examiner

(73) Assignee: **Indiana Carton Company**, Bremen, IN (US)

*Primary Examiner*—Dominic Simone

(74) *Attorney, Agent, or Firm*—James D. Hall; Ken C. Decker

(\*\*) Term: **14 Years**

(57) **CLAIM**

(21) Appl. No.: **29/148,759**

The ornamental design for a food carrier, as shown.

(22) Filed: **Sep. 26, 2001**

**DESCRIPTION**

(51) **LOC (7) Cl.** ..... **09-07**

(52) **U.S. Cl.** ..... **D9/434**; D9/456; D9/499

(58) **Field of Search** ..... D9/434, 455, 499;  
206/170, 174, 175, 194, 486, 487, 490;  
294/152; 53/462

FIG. 1 is a front perspective view of a food carrier showing my new design;

FIG. 2 is a left side elevational view thereof, the right side elevational view being a mirror thereof;

FIG. 3 is a top plan view thereof;

FIG. 4 is a left end view thereof, the right end view being a mirror image; and,

FIG. 5 is a bottom plan view thereof.

Each of the views include in broken lines the food packaging which the carrier is designed to transport, such broken lines being used to show a visible environmental structure which is not part of the invention.

(56) **References Cited**

**U.S. PATENT DOCUMENTS**

1,373,136	A	*	3/1921	Kranz	.....	294/152
2,160,550	A	*	5/1939	Lupton	.....	206/194
D180,037	S	*	4/1957	Singiser	.....	D9/455 X
5,409,282	A	*	4/1995	Bale	.....	294/152
5,957,276	A	*	9/1999	Cutler et al.	.....	206/194

**1 Claim, 3 Drawing Sheets**

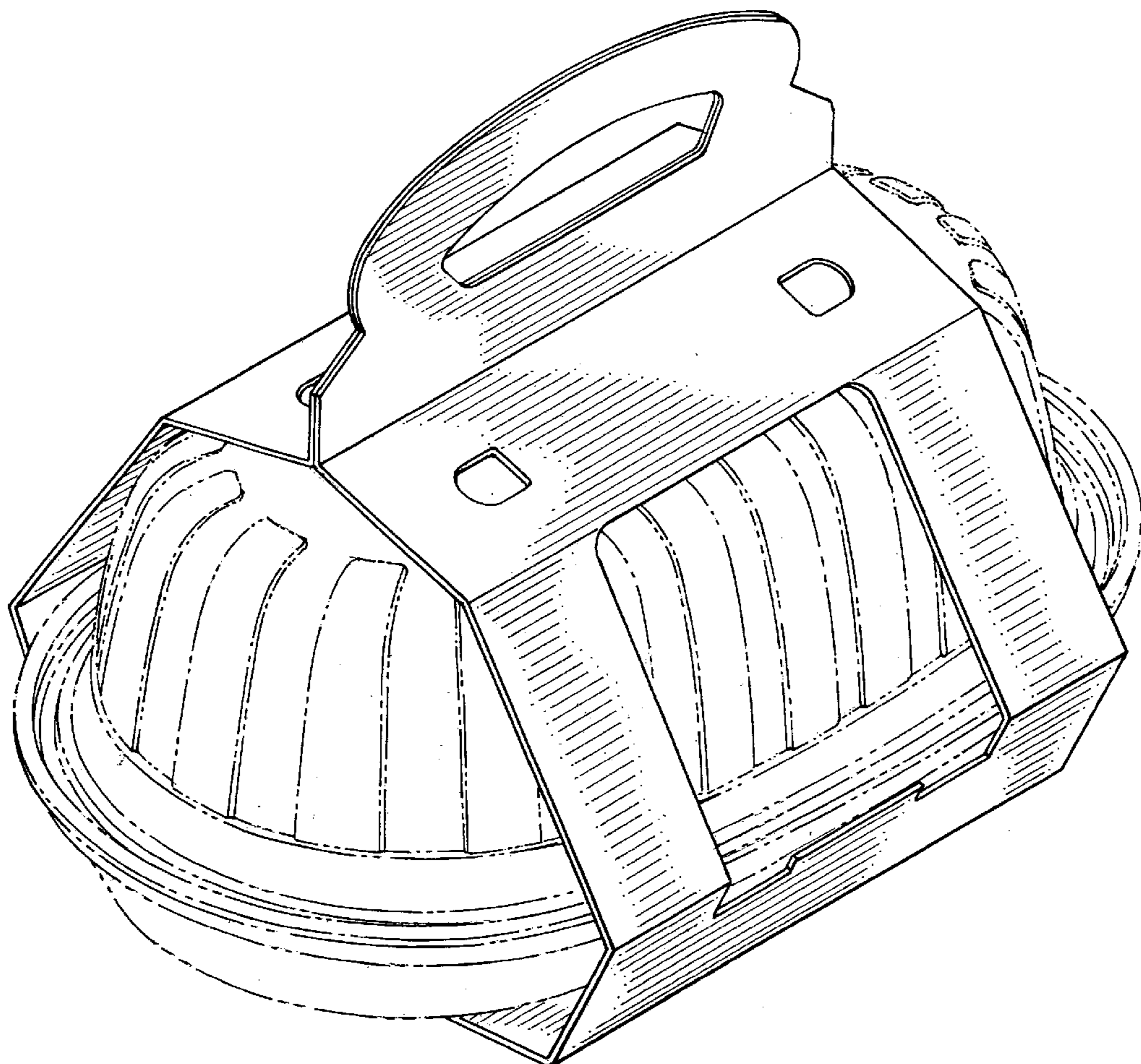


FIG.1

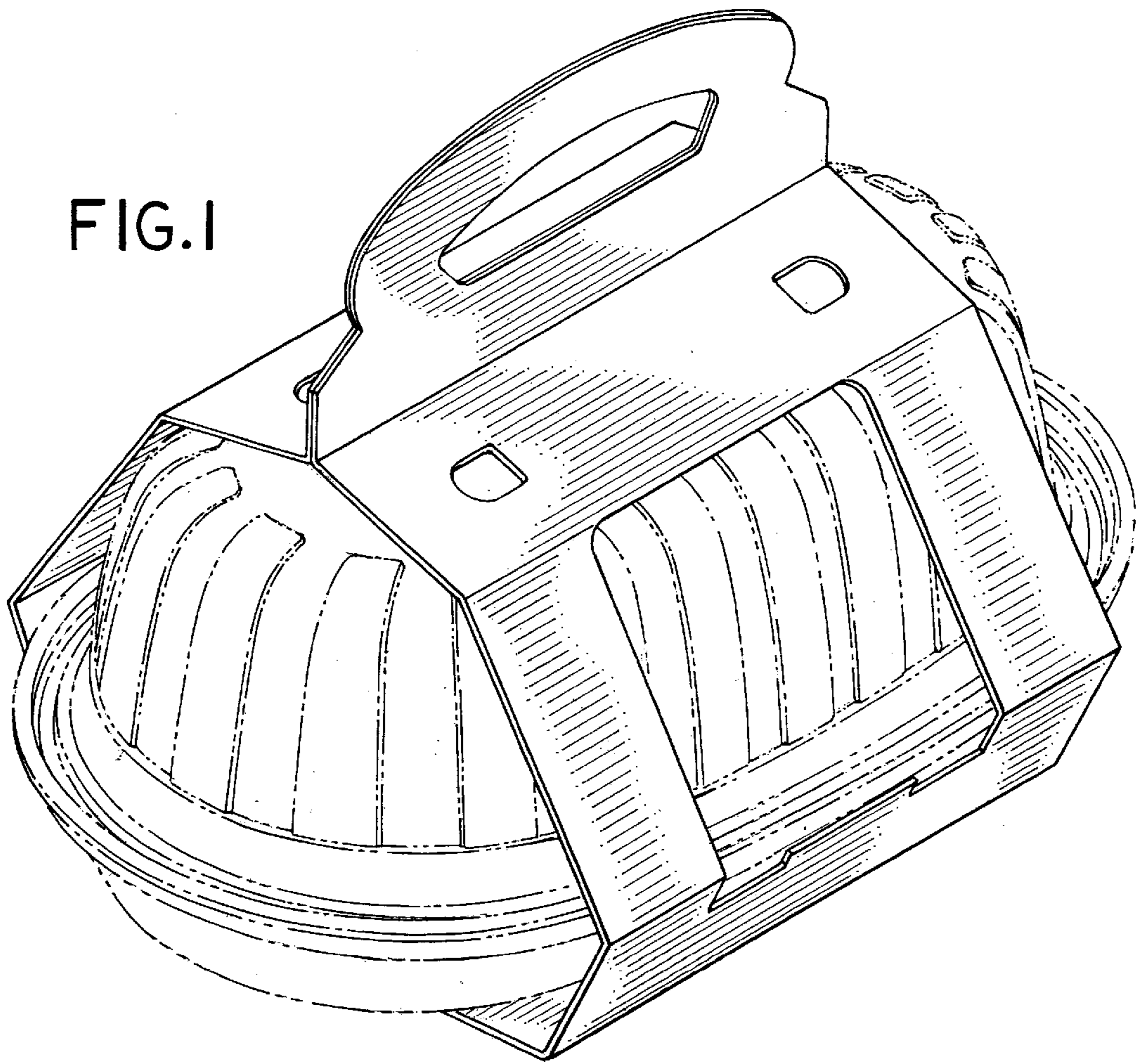


FIG.2

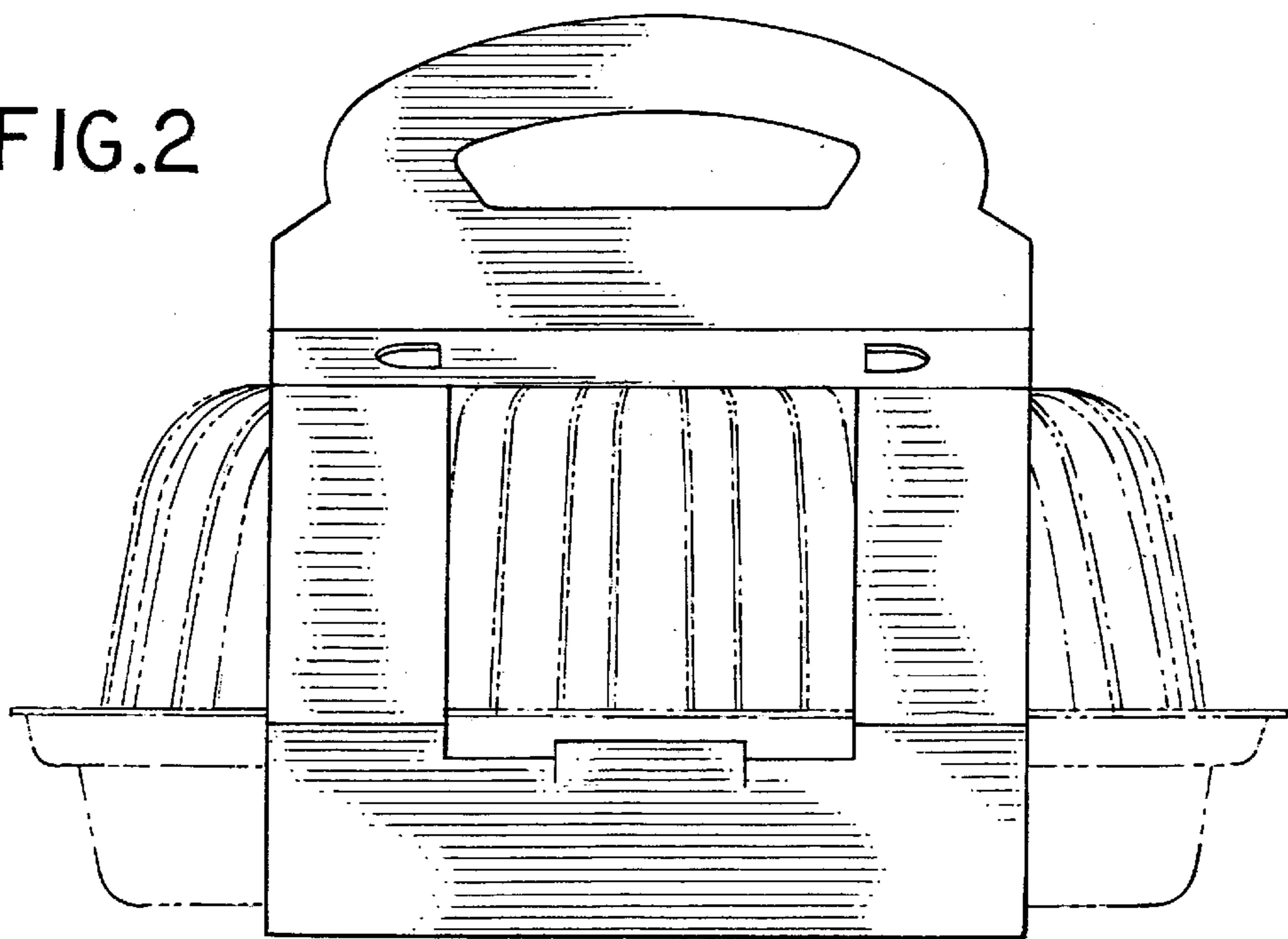


FIG.3

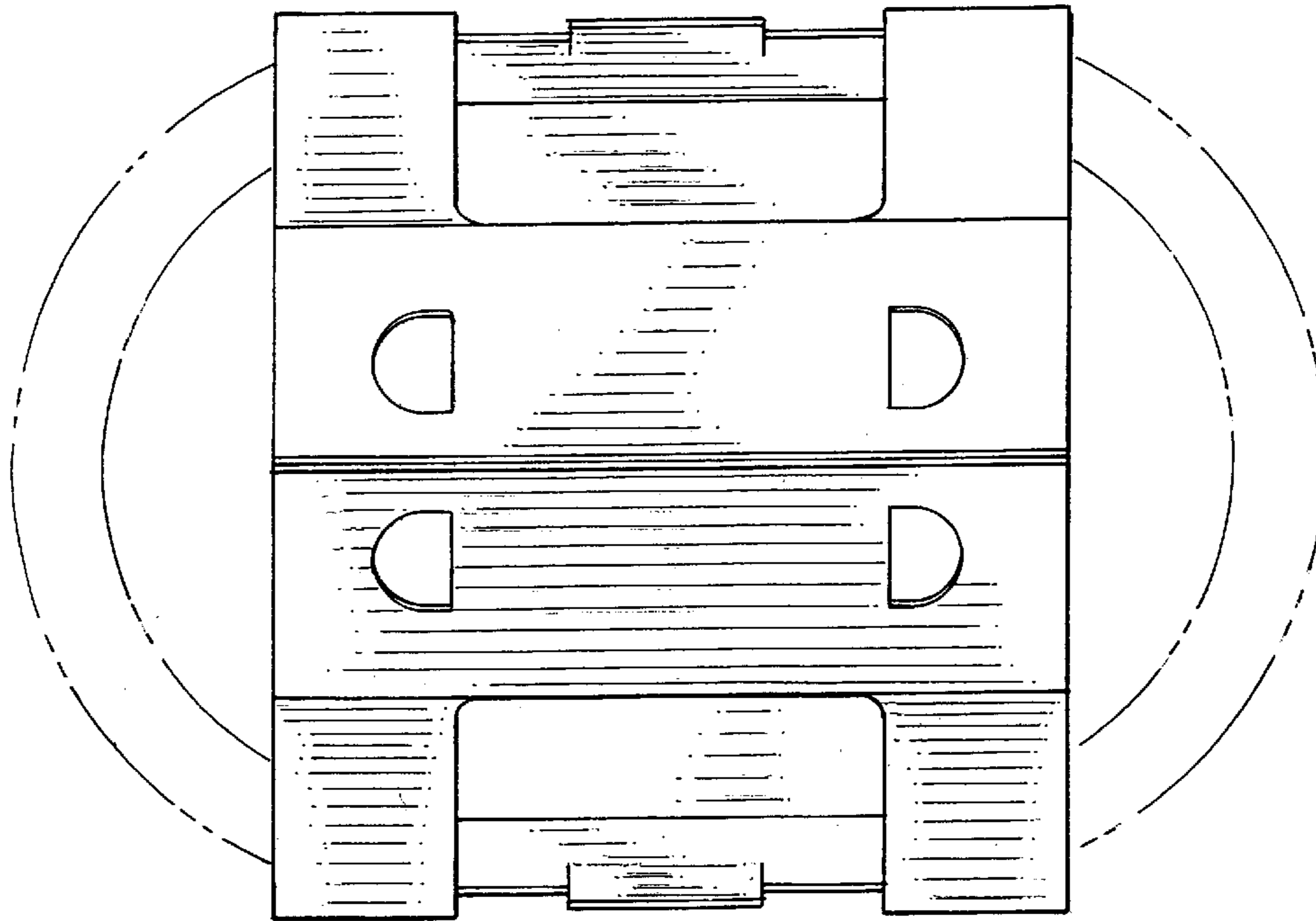


FIG.4

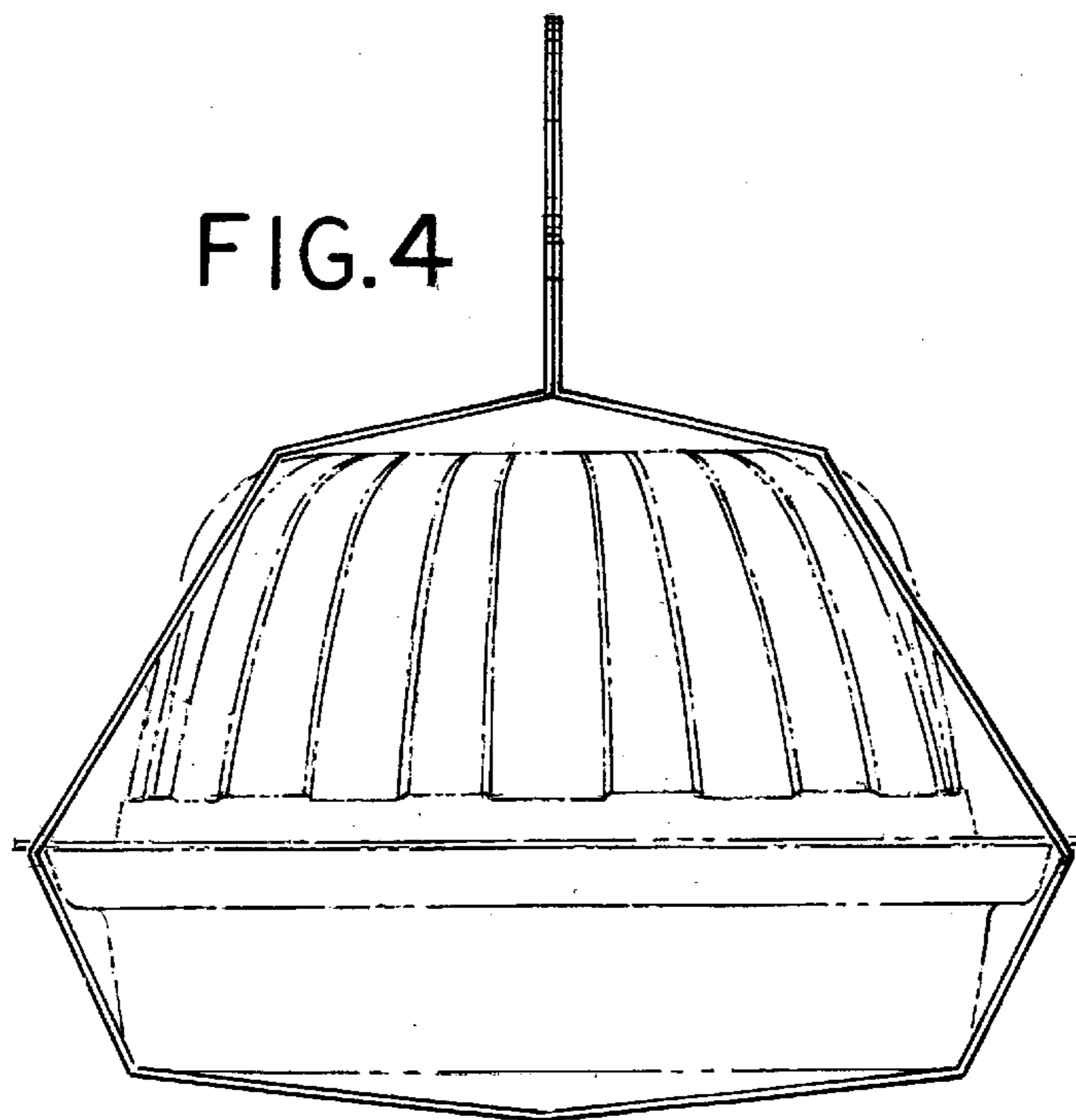


FIG. 5

