



US00D461710S

(12) **United States Design Patent**
Heltzer

(10) **Patent No.:** **US D461,710 S**

(45) **Date of Patent:** **** Aug. 20, 2002**

(54) **CLIP**

(76) Inventor: **Michael Heltzer**, 4853 N. Ravenswood,
Chicago, IL (US) 60640

(**) Term: **14 Years**

(21) Appl. No.: **29/141,198**

(22) Filed: **May 1, 2001**

(51) **LOC (7) Cl.** **08-08**

(52) **U.S. Cl.** **D8/395; D8/354**

(58) **Field of Search** D8/395, 396, 359,
D8/349, 383, 354, 373; 248/68.1, 224.51,
224.61, 221.1, 74.1, 74.2, 74.3, 74.4; 211/85.18;
24/336, 339, 346, 455, 545, 546, 536, 503,
335, 326; 336/192, 198

(56) **References Cited**

U.S. PATENT DOCUMENTS

D250,897 S	*	1/1979	Potts	D8/356
D297,112 S	*	8/1988	Holdaway	D8/395
D383,380 S	*	9/1997	Kempf et al.	D8/395

* cited by examiner

Primary Examiner—Pamela Burgess

(74) *Attorney, Agent, or Firm*—McDonnell Boehnen
Hulbert & Berghoff

(57) **CLAIM**

The ornamental design for a clip, as shown and described.

DESCRIPTION

FIG. 1 is a top perspective view of a clip showing my new design;

FIG. 2 is a right side elevational view thereof;

FIG. 3 is a front elevational view thereof;

FIG. 4 is a rear elevational view thereof;

FIG. 5 is a top plan view thereof; and,

FIG. 6 is a bottom plan view thereof.

The left side elevational view of the clip of the present design is a mirror image of the view of FIG. 2.

The broken line portions of the drawings are for illustrative purposes only and form no part of the claimed design.

1 Claim, 1 Drawing Sheet

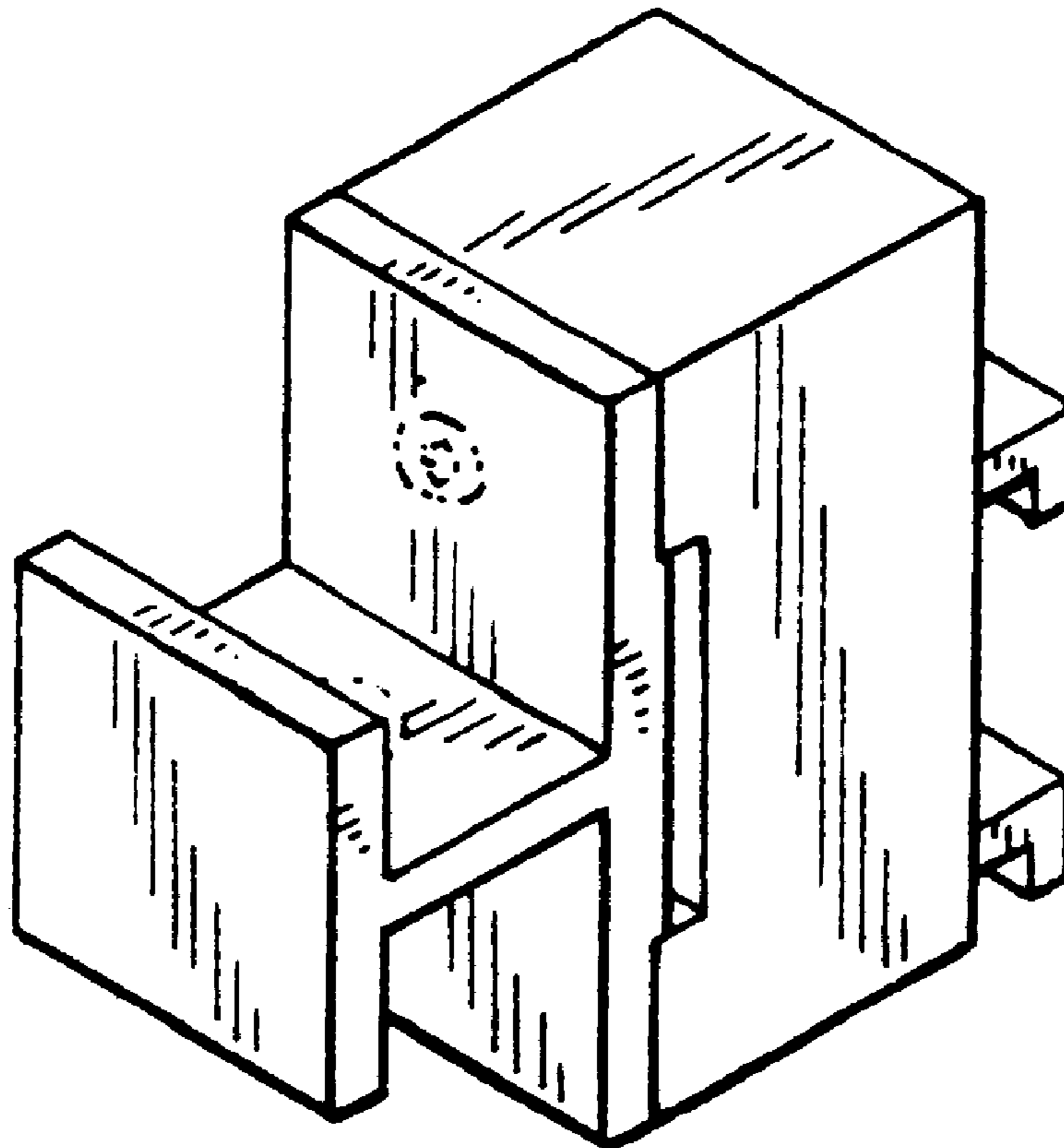


FIG. 1

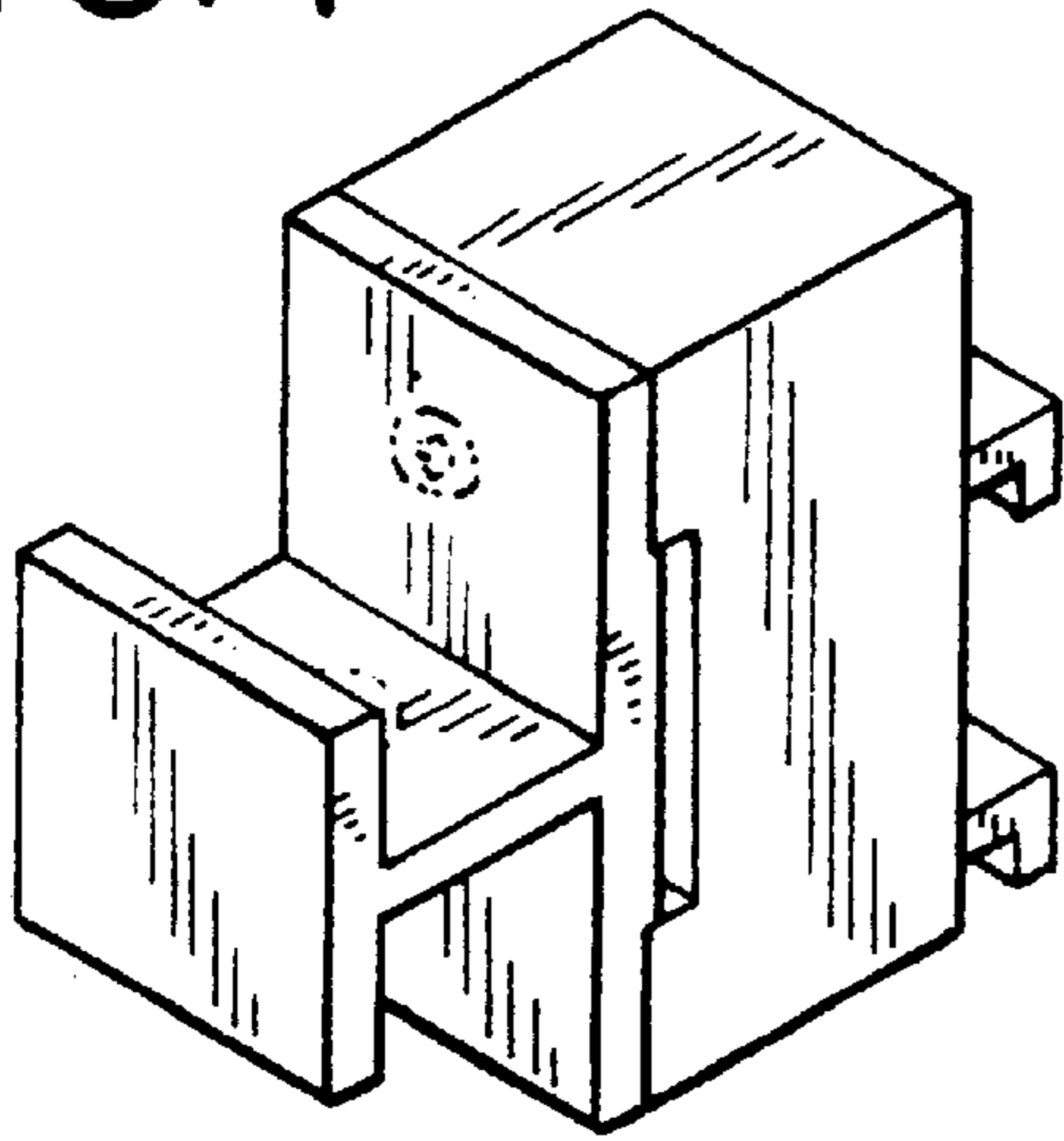


FIG. 2

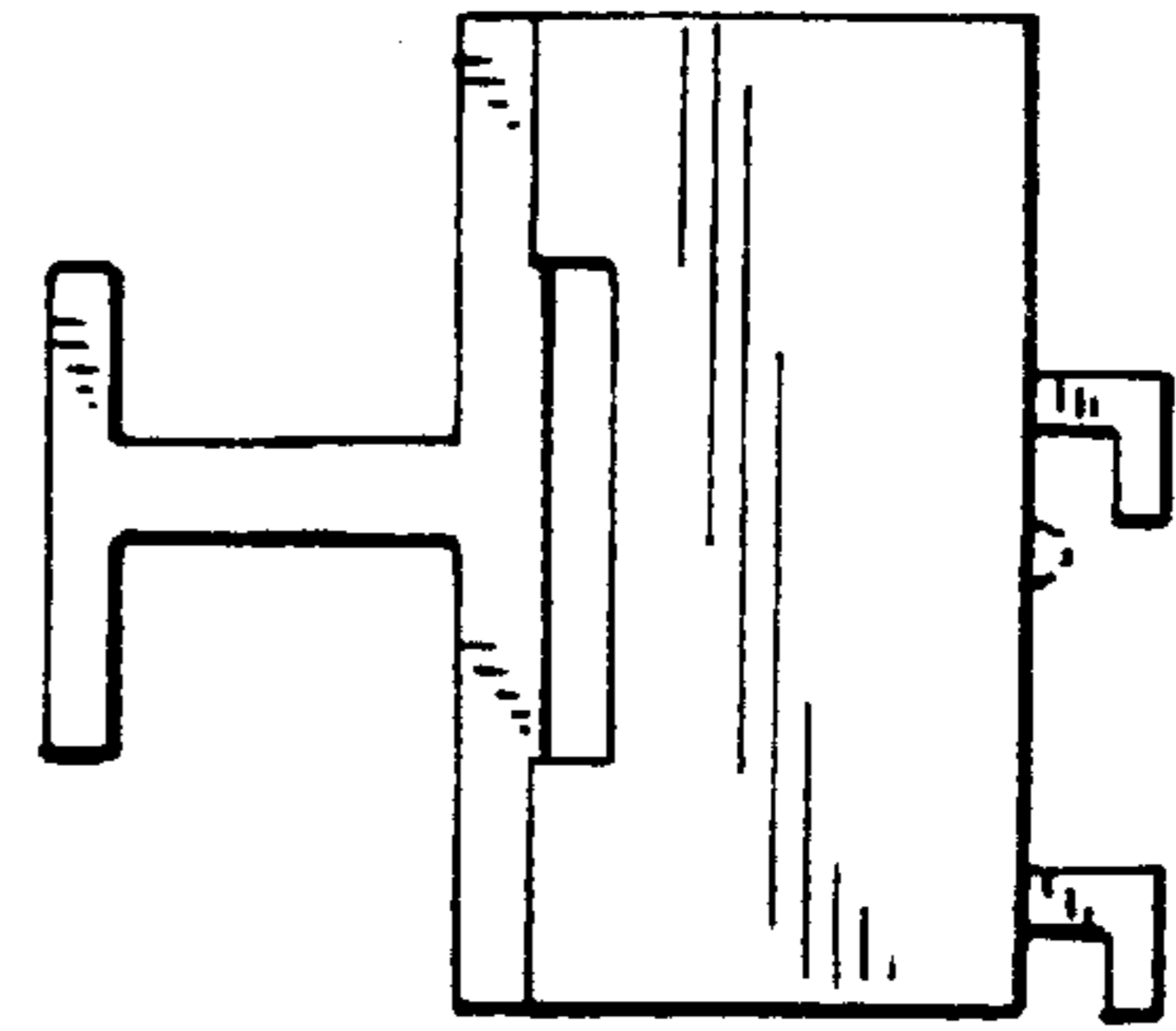


FIG. 3

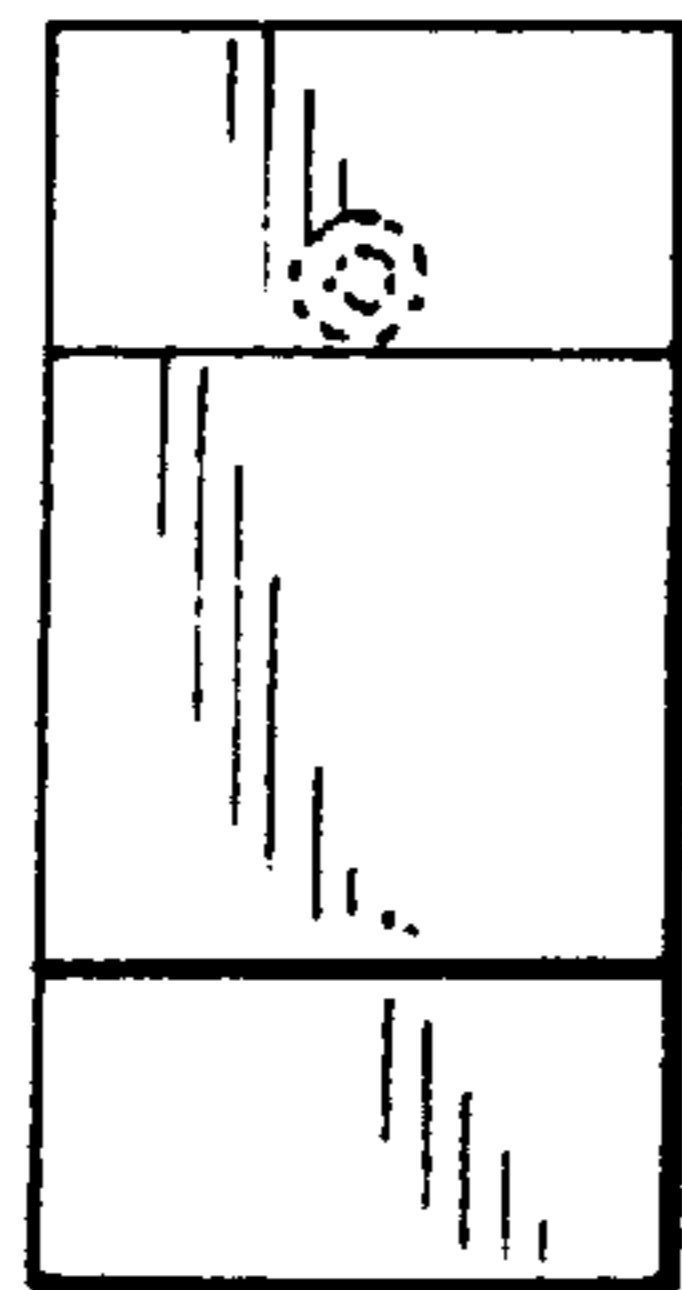


FIG. 4

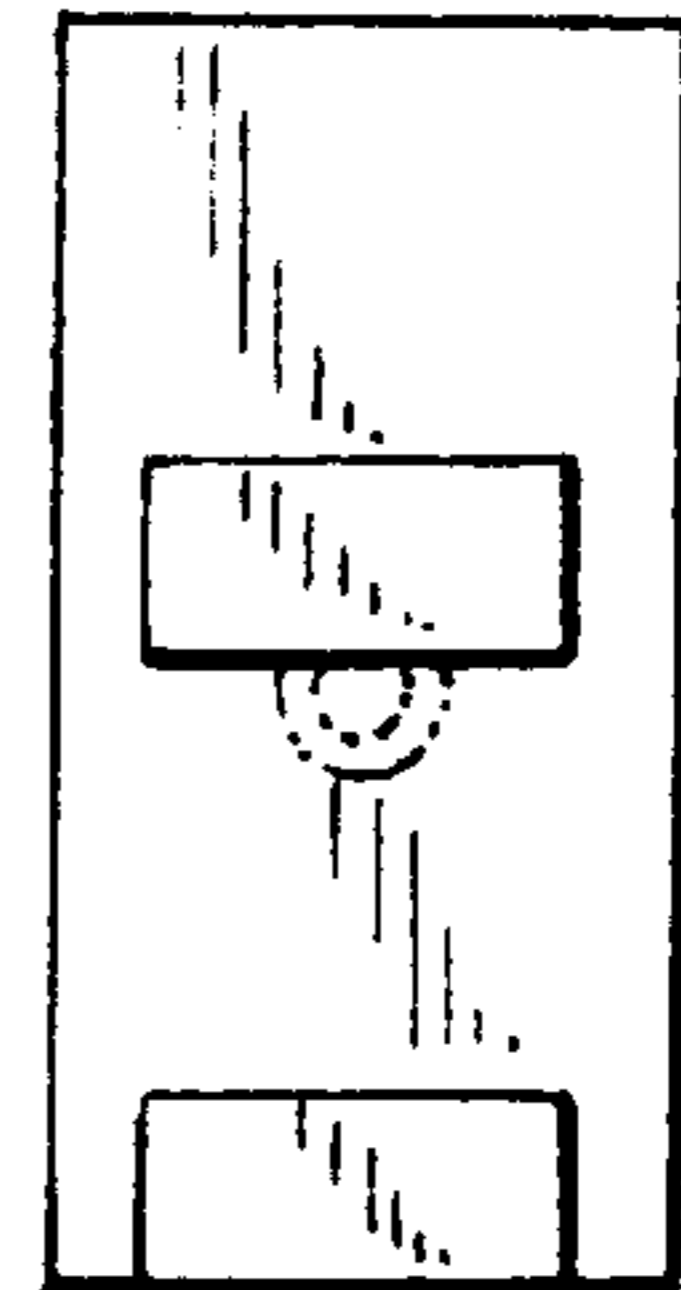


FIG. 5

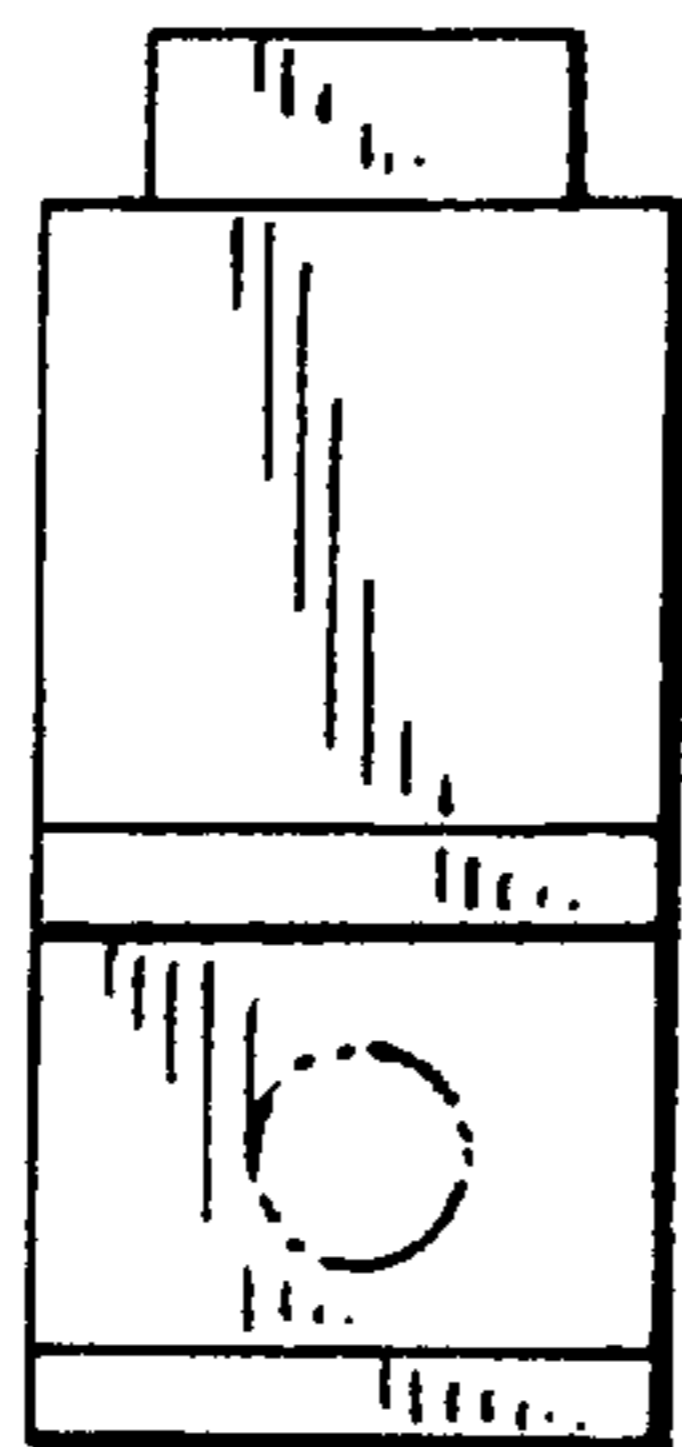


FIG. 6

