



US00D461709S

(12) **United States Design Patent**
Gallmeyer

(10) **Patent No.:** **US D461,709 S**

(45) **Date of Patent:** **** Aug. 20, 2002**

(54) **INTERLOCKING FASTENER STRIP**

(76) Inventor: **William W. Gallmeyer**, 580 Central Ave., Holland, MI (US) 49423

(**) Term: **14 Years**

(21) Appl. No.: **29/139,581**

(22) Filed: **Apr. 2, 2001**

(51) **LOC (7) Cl.** **08-08**

(52) **U.S. Cl.** **D8/389; D8/382**

(58) **Field of Search** D8/382, 389; 206/343-348, 206/820

(56) **References Cited**

U.S. PATENT DOCUMENTS

- D25,580 S * 6/1896 Saltzkorn
- D292,990 S * 12/1987 Eliasson D19/32
- 4,881,643 A * 11/1989 Pfister 206/343

* cited by examiner

Primary Examiner—Alan P. Douglas

Assistant Examiner—Clare E. Heflin

(74) *Attorney, Agent, or Firm*—Plunkett & Cooney, P.C.; Arnold S. Weintraub

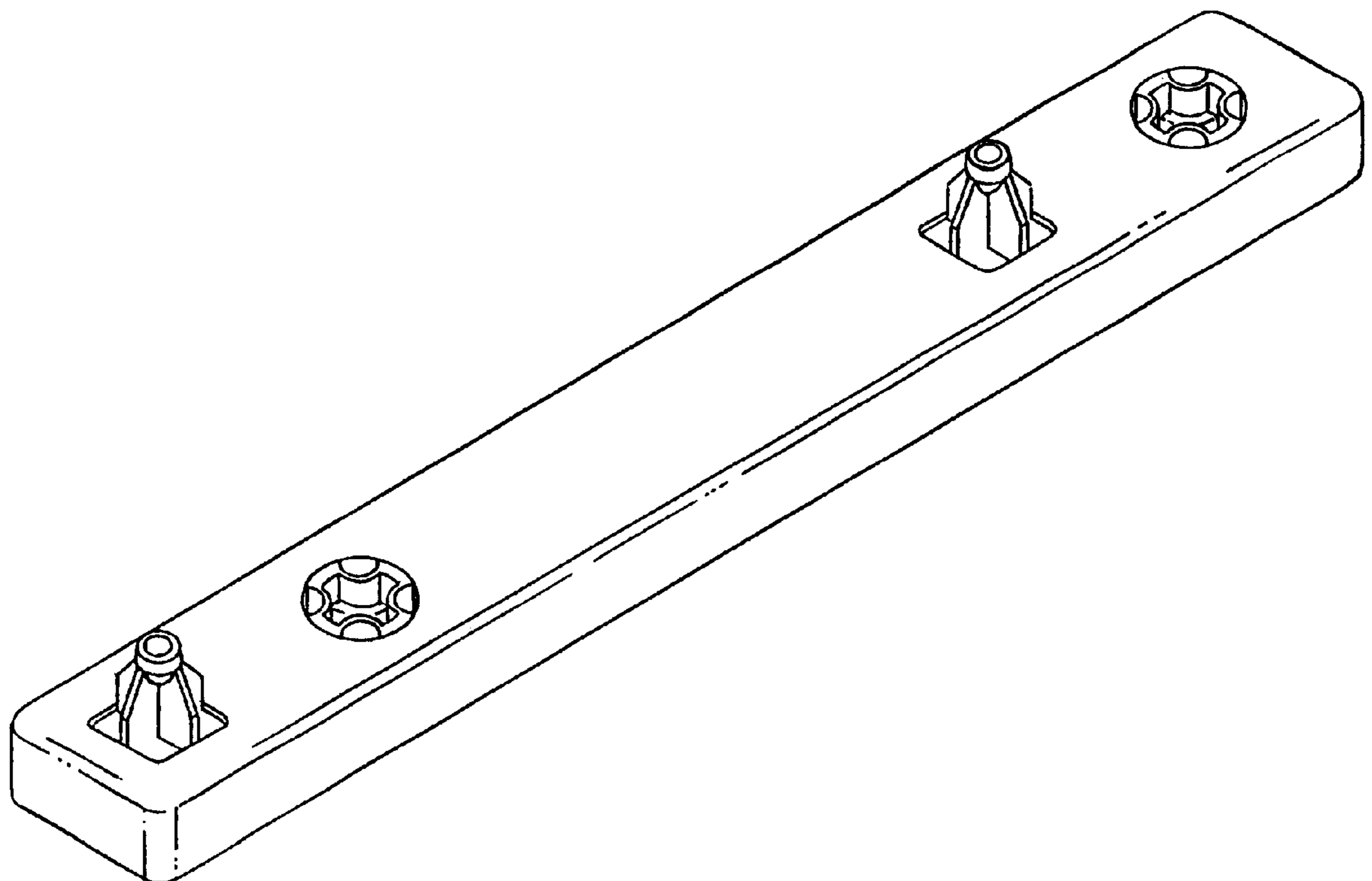
(57) **CLAIM**

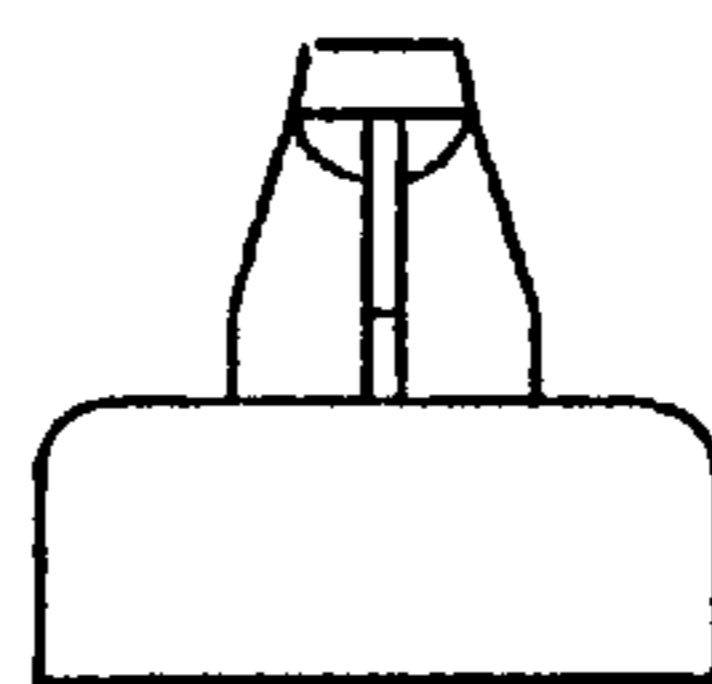
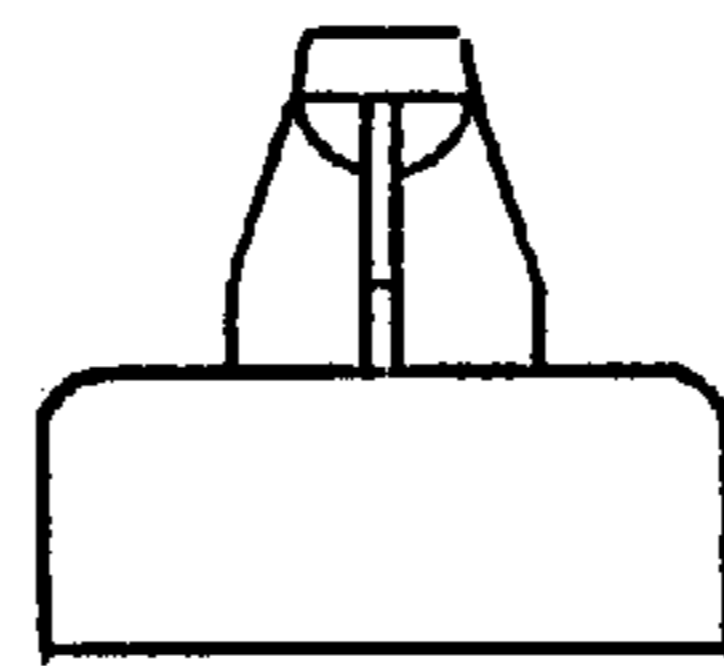
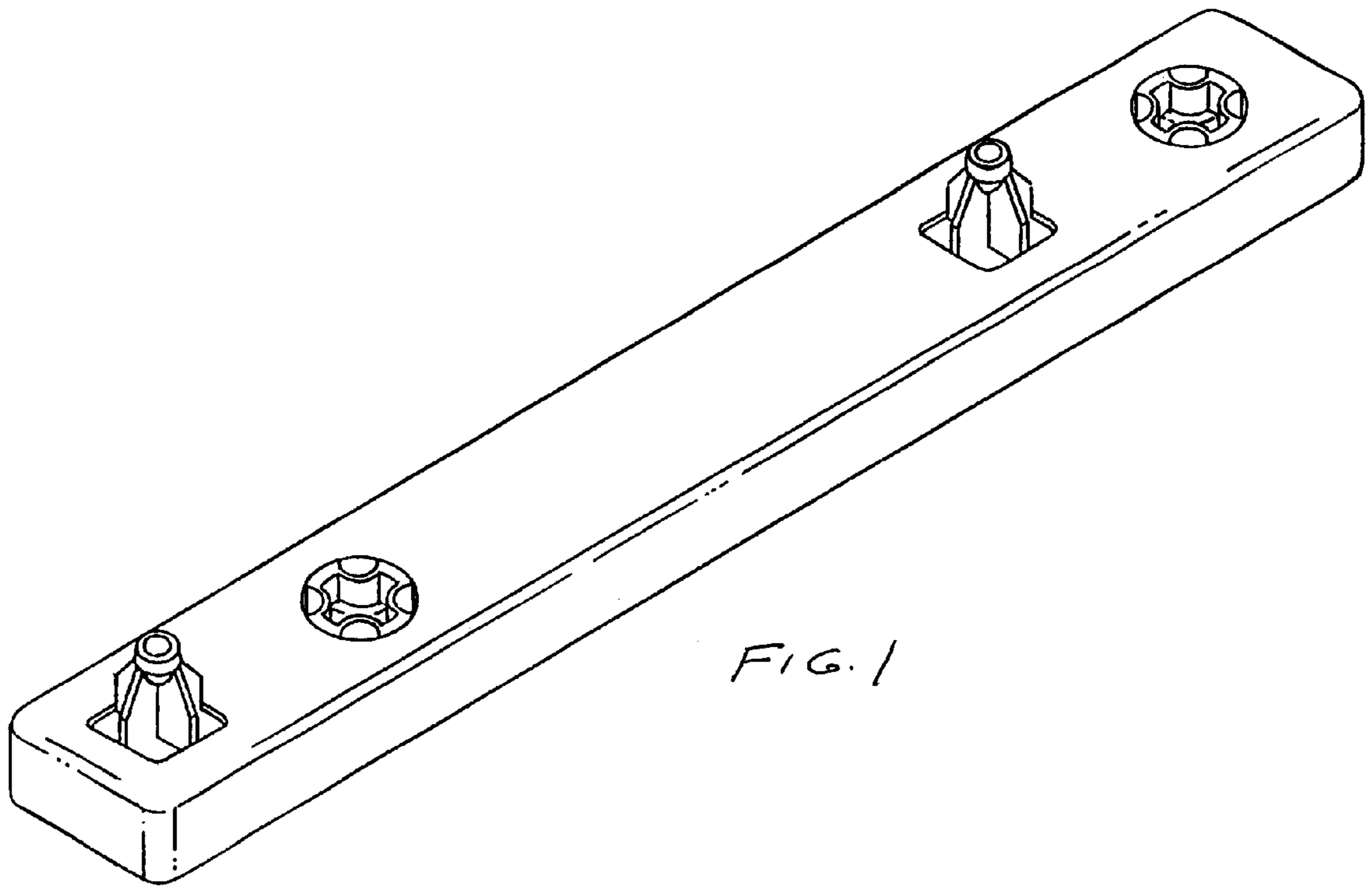
The ornamental design for an interlocking fastener strip, as shown.

DESCRIPTION

FIG. 1 is a perspective view of an interlocking fastener strip Showing my new design;
 FIG. 2 is a bottom plan view thereof;
 FIG. 3 is a first side elevational view thereof;
 FIG. 4 is a top view thereof;
 FIG. 5 is a second side elevational view as seen from the side opposite that of FIG. 3;
 FIG. 6 is a first end elevational view; and,
 FIG. 7 is a second end elevational view as seen from the end opposite that of FIG. 6.

1 Claim, 2 Drawing Sheets





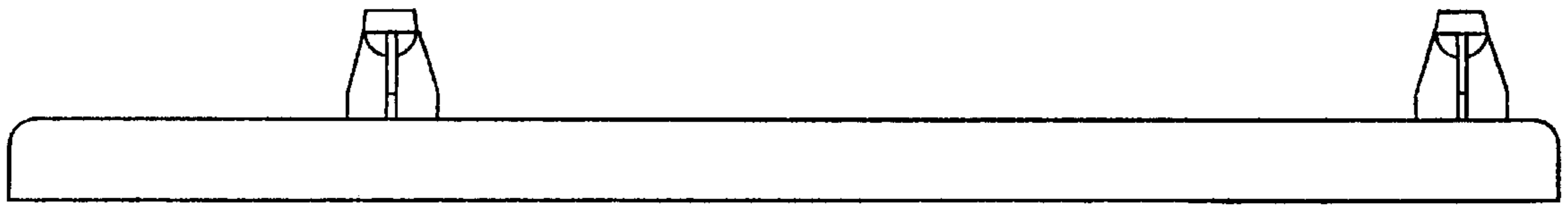


FIG. 3

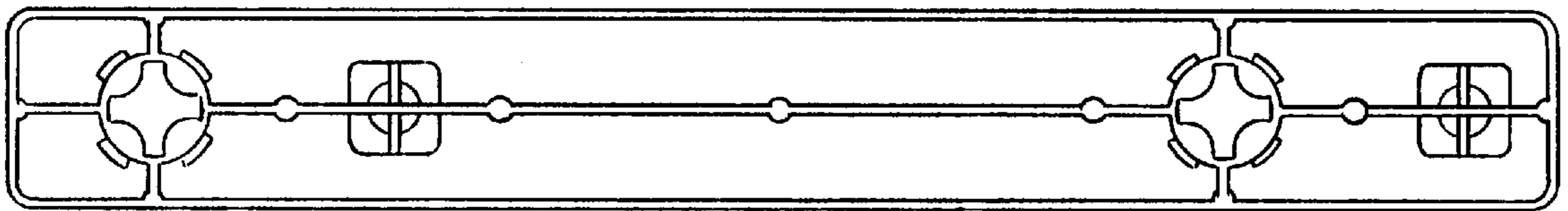


FIG. 2

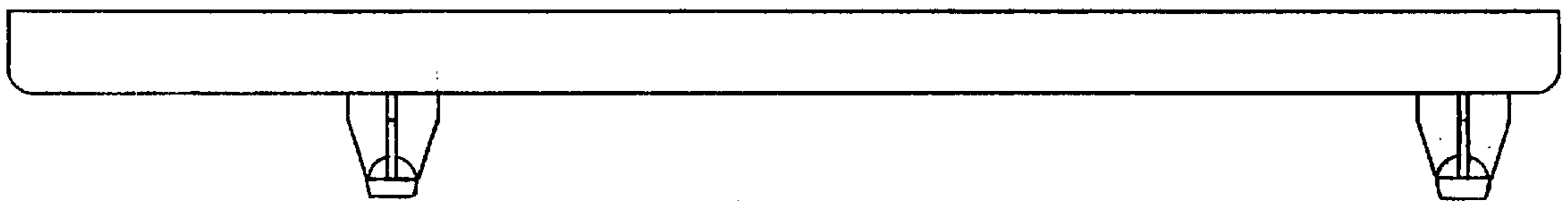


FIG. 5

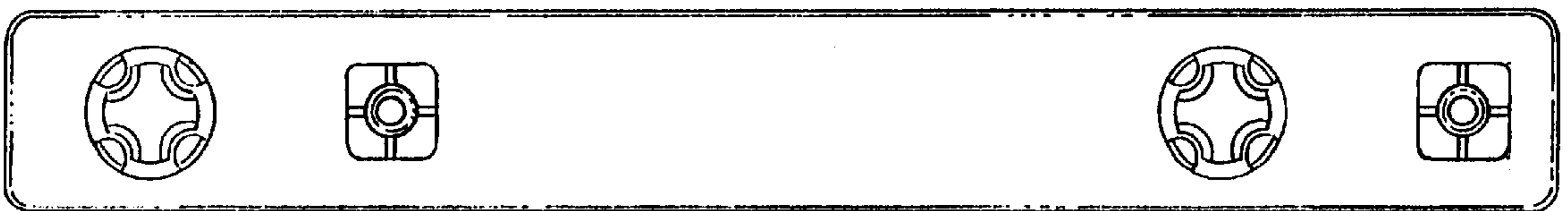


FIG. 4