



US00D461708S

(12) **United States Design Patent**
Viger

(10) **Patent No.:** **US D461,708 S**

(45) **Date of Patent:** **** Aug. 20, 2002**

(54) **BENCH SUPPORT BRACKET**

D331,343 S 12/1992 VanStaveren

D348,216 S * 6/1994 Smith D8/381

(75) Inventor: **Denis Viger**, Magog (CA)

* cited by examiner

(73) Assignee: **Les Aciers Robond Inc.**, Magog (CA)

Primary Examiner—Pamela Burgess

(**) Term: **14 Years**

(74) *Attorney, Agent, or Firm*—George A. Seaby

(21) Appl. No.: **29/142,694**

(57) **CLAIM**

(22) Filed: **Jun. 1, 2001**

The ornamental design for a bench support bracket, as shown and described.

(51) **LOC (7) Cl.** **08-05**

DESCRIPTION

(52) **U.S. Cl.** **D8/380**; D8/381

FIG. 1 is a side perspective view of a bench support bracket showing my new design;

(58) **Field of Search** D8/380, 381, 363,
D8/368, 354; 248/247, 300, 235, 251, 507,
200, 505; D6/495, 492; 52/8; 297/451.1,
463.1, 217.7, 232; 211/27, 119.007, 86.01

FIG. 2 is a side perspective view thereof, showing the opposite side of FIG. 1;

FIG. 3 is a top elevational view thereof;

FIG. 4 is a bottom elevational view thereof;

FIG. 5 is a front elevational view thereof;

FIG. 6 is a rear elevational view thereof; and,

FIG. 7 is a side elevational view thereof, the other side being the mirror image thereof.

(56) **References Cited**

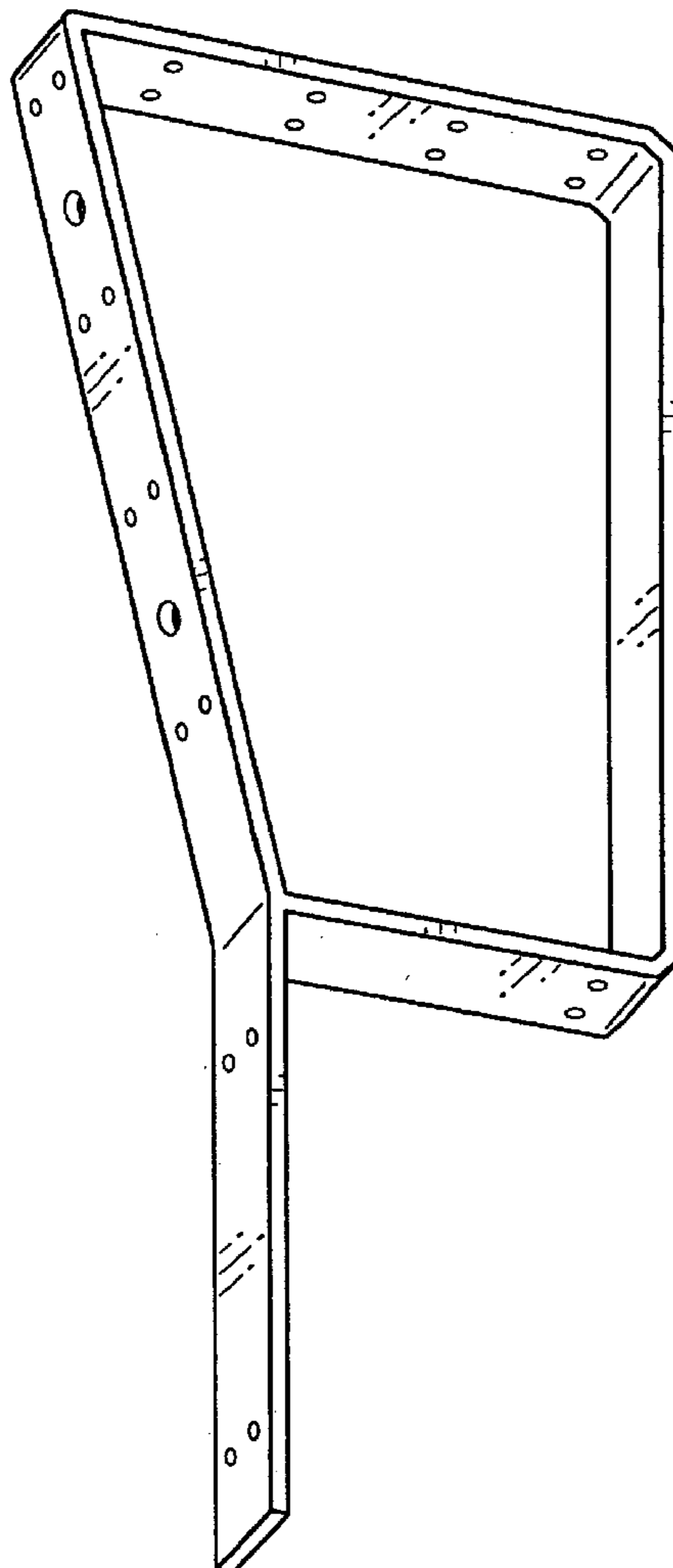
U.S. PATENT DOCUMENTS

D240,896 S * 8/1976 Ward D8/354

4,285,542 A * 8/1981 Boisvert 52/8

D288,855 S * 3/1987 Gould D8/354

1 Claim, 2 Drawing Sheets



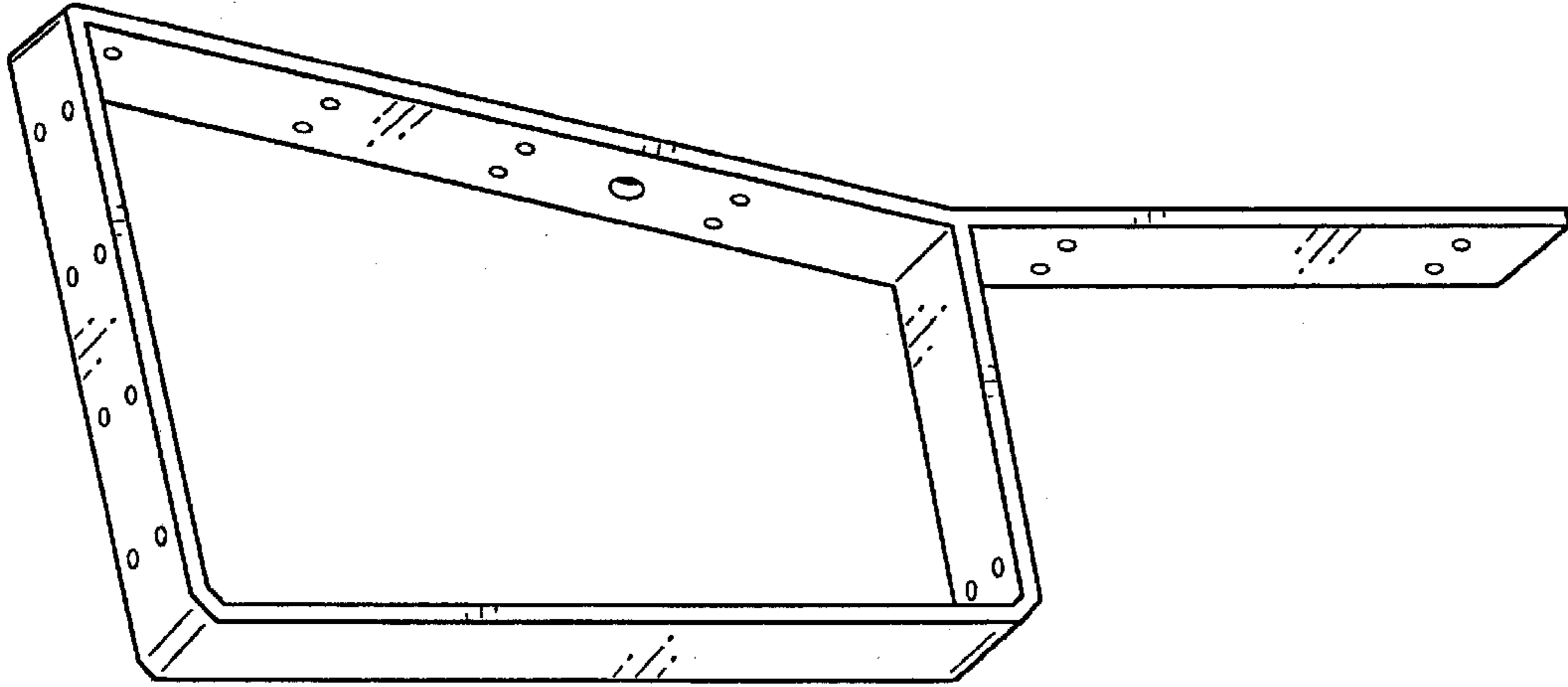


FIG. 2

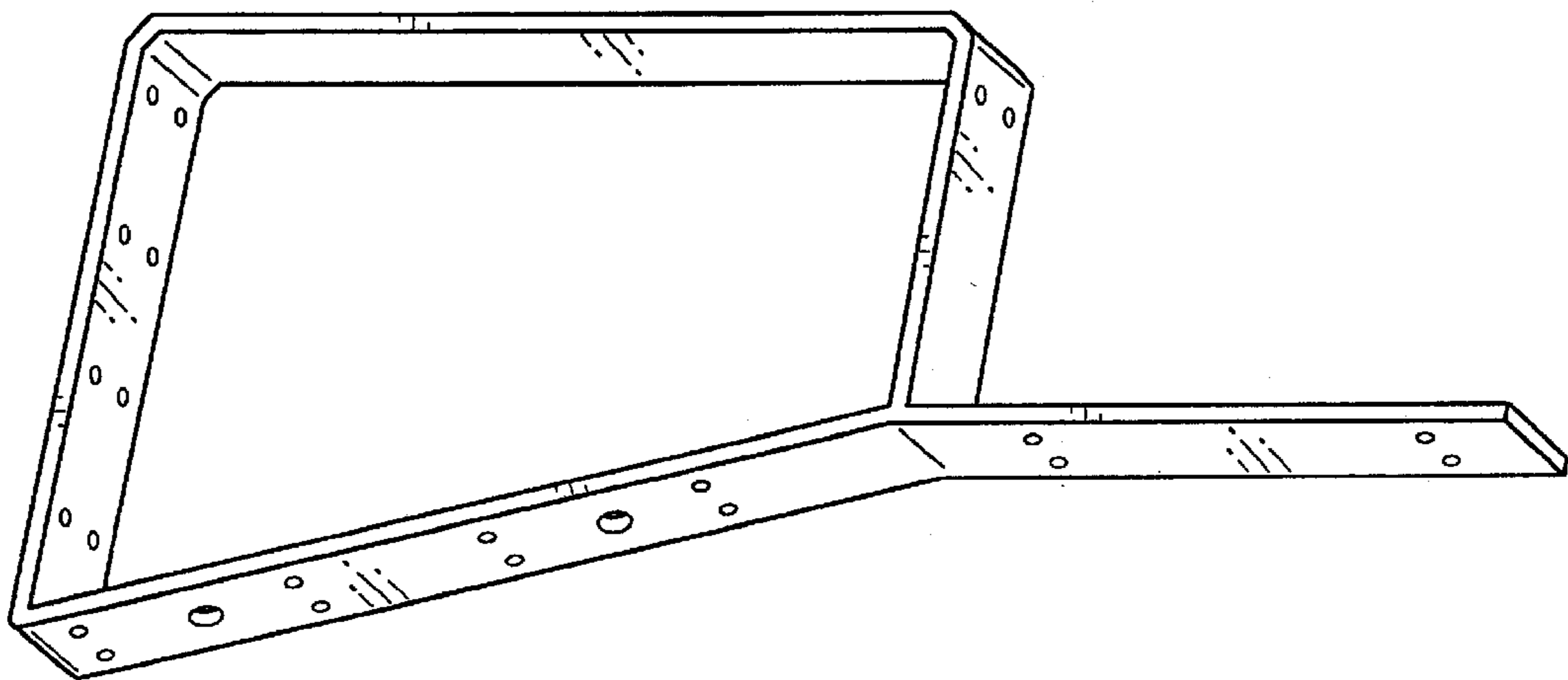


FIG. 1

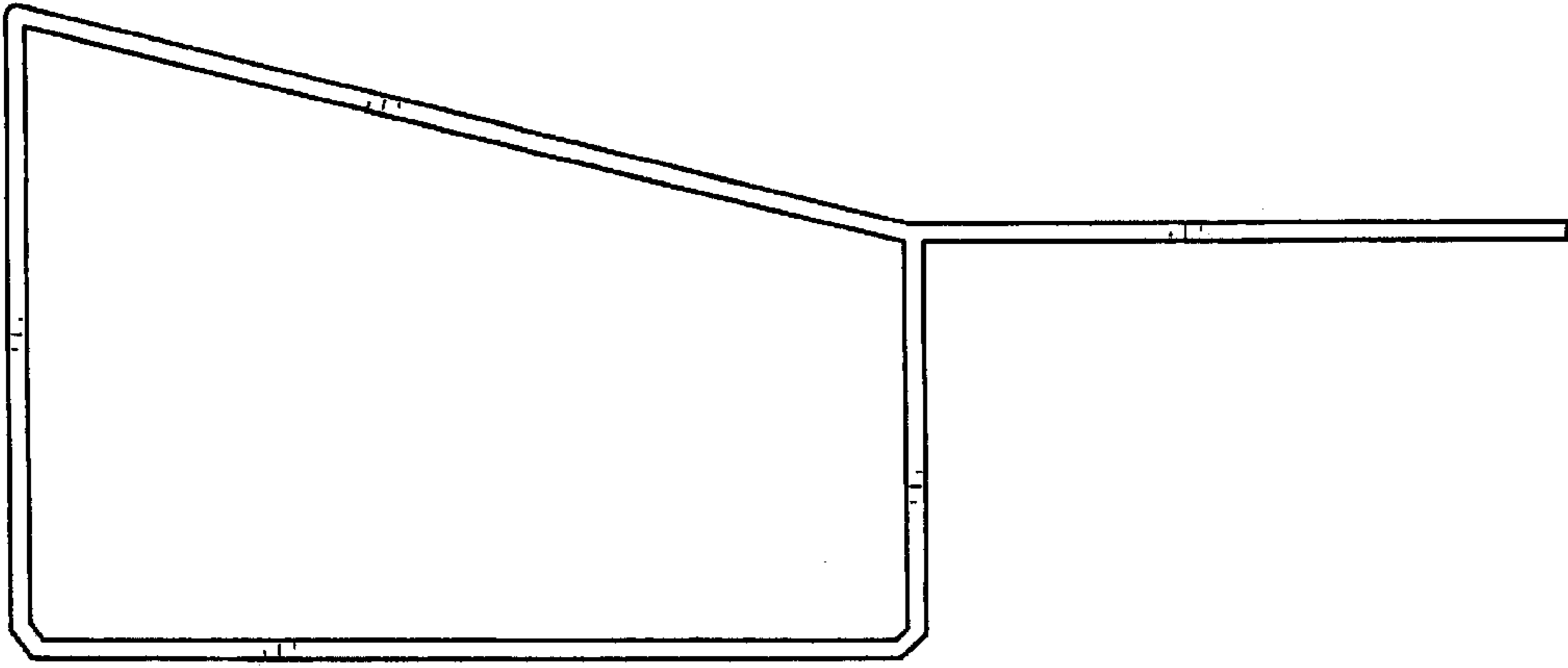


FIG. 7



FIG. 6



FIG. 5

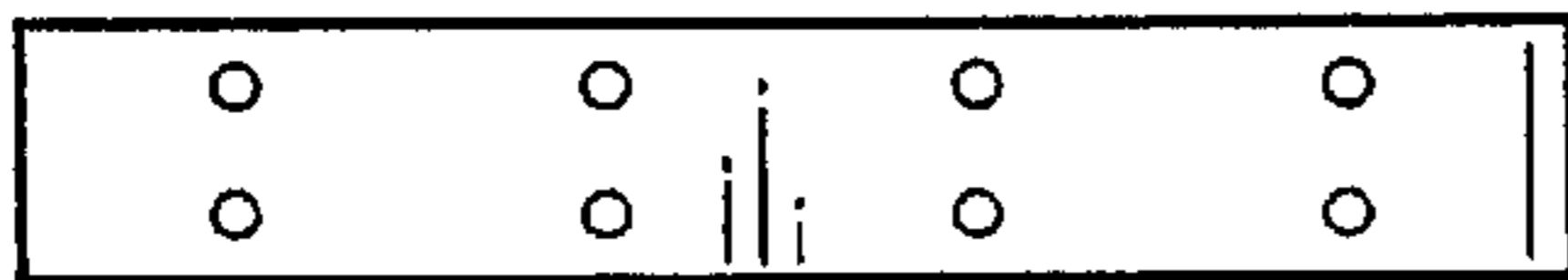


FIG. 3



FIG. 4