



US00D461706S

(12) **United States Design Patent**  
**Goodman et al.**

(10) **Patent No.:** **US D461,706 S**

(45) **Date of Patent:** **\*\* Aug. 20, 2002**

(54) **HOOK RACK**

(75) Inventors: **Sheldon H. Goodman**, 30905 Stratford, Solon, OH (US) 44139; **Brian Stelmarski**, Mayfield Heights, OH (US)

(73) Assignee: **Sheldon H. Goodman**, Solon, OH (US)

(\*\*) Term: **14 Years**

(21) Appl. No.: **29/135,542**

(22) Filed: **Jan. 12, 2001**

(51) **LOC (7) Cl.** ..... **06-06**

(52) **U.S. Cl.** ..... **D8/372; D6/513; D6/566**

(58) **Field of Search** ..... **D6/566, 323, 513-514; D8/370, 372; 248/302, 303, 309, 339; 211/87.01, 181.1, 106**

(56) **References Cited**

**U.S. PATENT DOCUMENTS**

D295,344 S	*	4/1988	Pryor et al. ....	D6/566 X
D298,713 S	*	11/1988	Hinderaker et al. ....	D6/566 X
D355,841 S	*	2/1995	Goodman et al. ....	D6/566 X
D363,208 S	*	10/1995	Seidel .....	D6/566 X
D371,484 S	*	7/1996	Munoz .....	D6/566
D421,355 S	*	3/2000	Goodman et al. ....	D6/566 X
D430,441 S	*	9/2000	Rosenberg .....	D6/566

\* cited by examiner

*Primary Examiner*—Brian N. Vinson

(74) *Attorney, Agent, or Firm*—Pearne & Gordon LLP

(57) **CLAIM**

The ornamental design for a hook rack, as shown and described.

**DESCRIPTION**

FIG. 1 is a perspective view of a six hook rack showing our new design;

FIG. 2 is a front elevational view thereof;

FIG. 3 is a right side elevational view thereof, the left side view being a mirror image;

FIG. 4 is a rear elevational view thereof;

FIG. 5 is a top plan view thereof;

FIG. 6 is a bottom plan view thereof;

FIG. 7 is a perspective view of a second embodiment of a four hook rack showing our new design;

FIG. 8 is a front elevational view thereof;

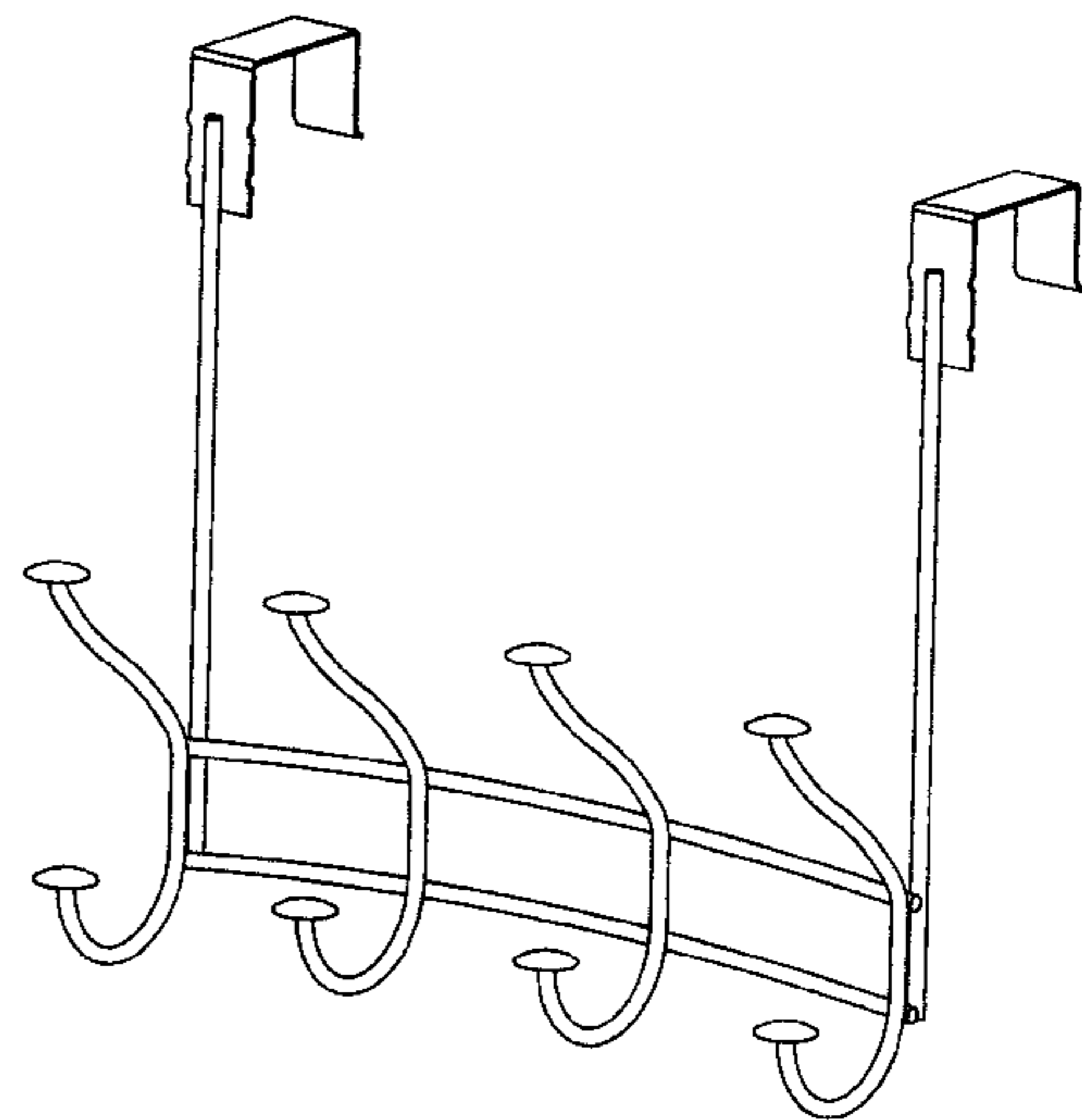
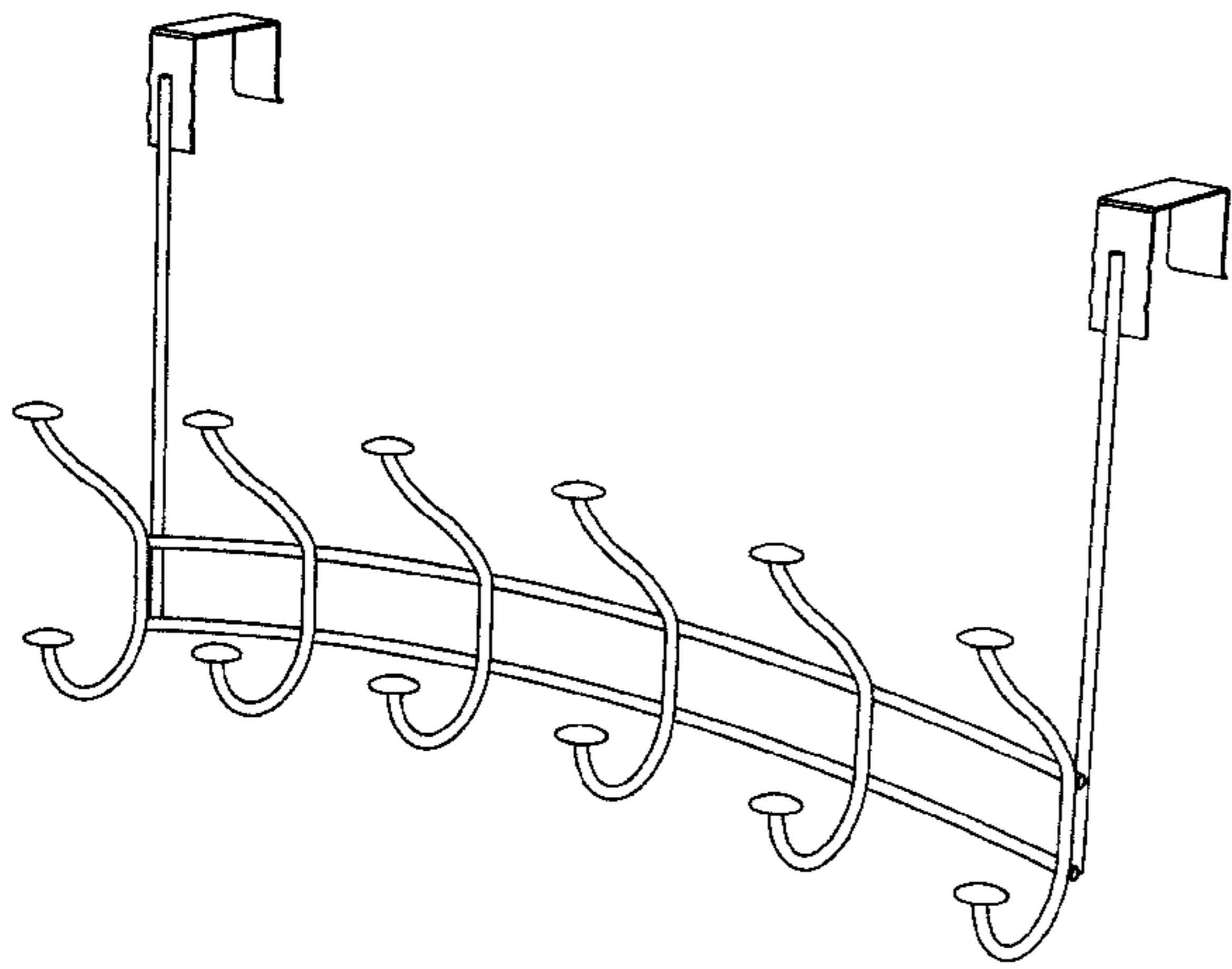
FIG. 9 is a right side elevational view thereof, the left side view being a mirror image;

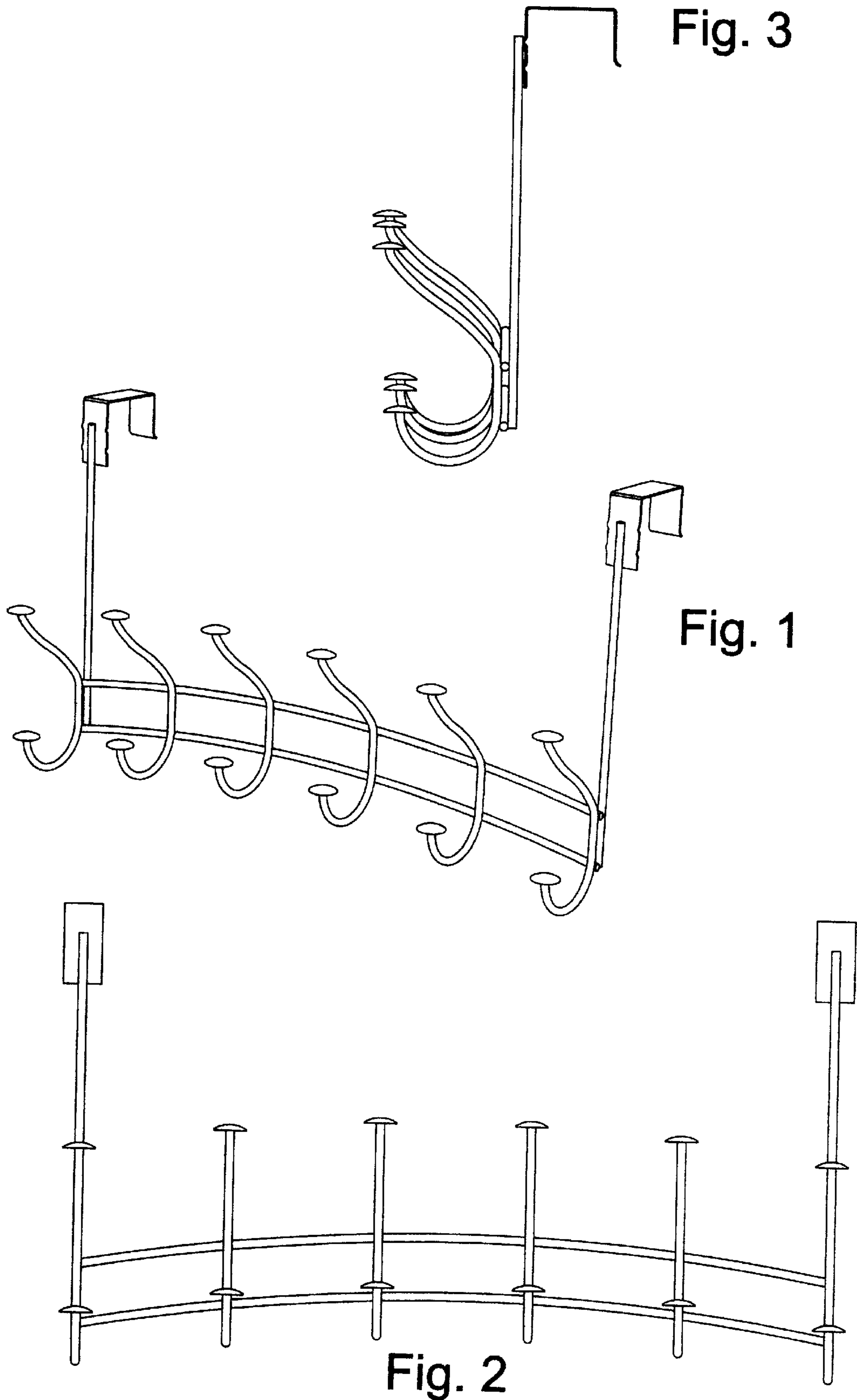
FIG. 10 is a rear elevational view thereof;

FIG. 11 is a top plan view thereof; and,

FIG. 12 is a bottom plan view thereof.

**1 Claim, 4 Drawing Sheets**





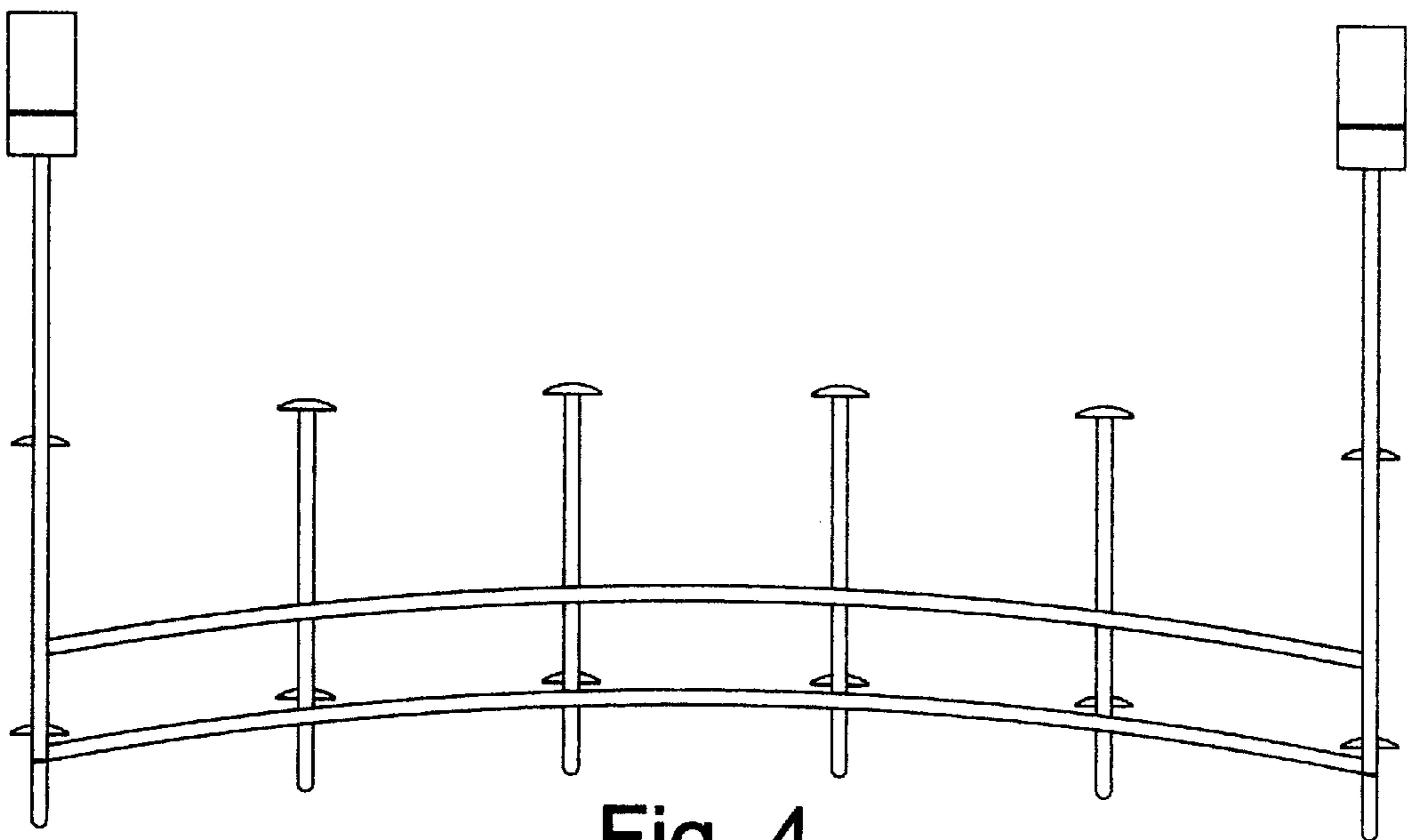


Fig. 4

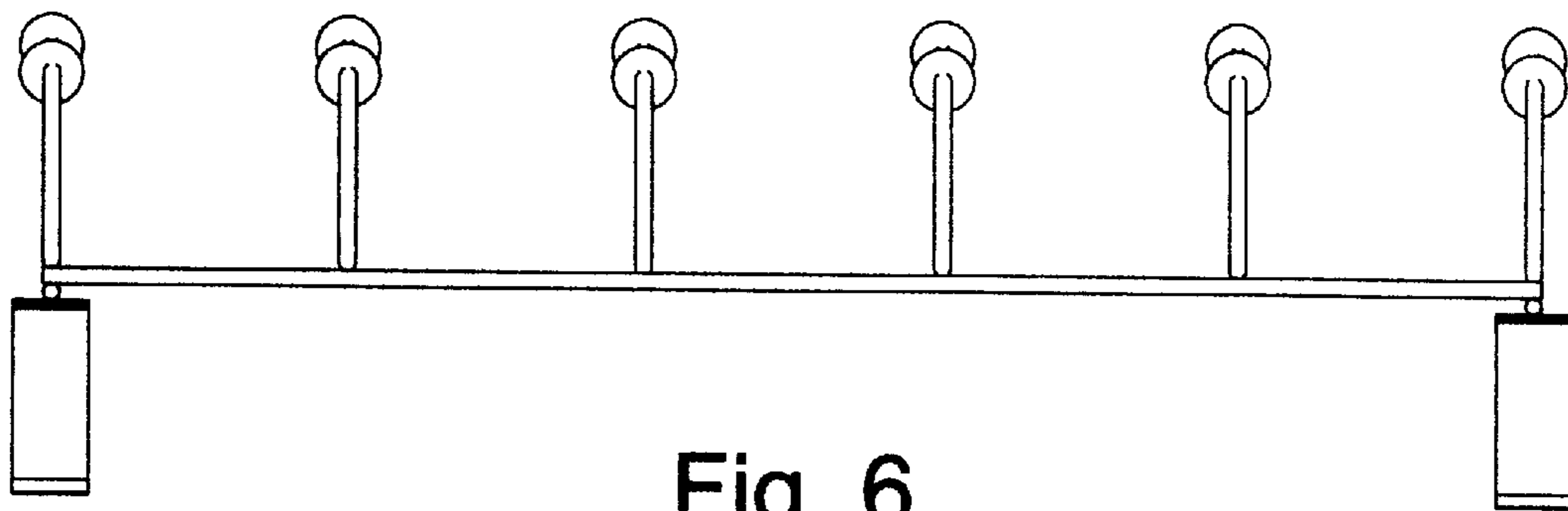


Fig. 6

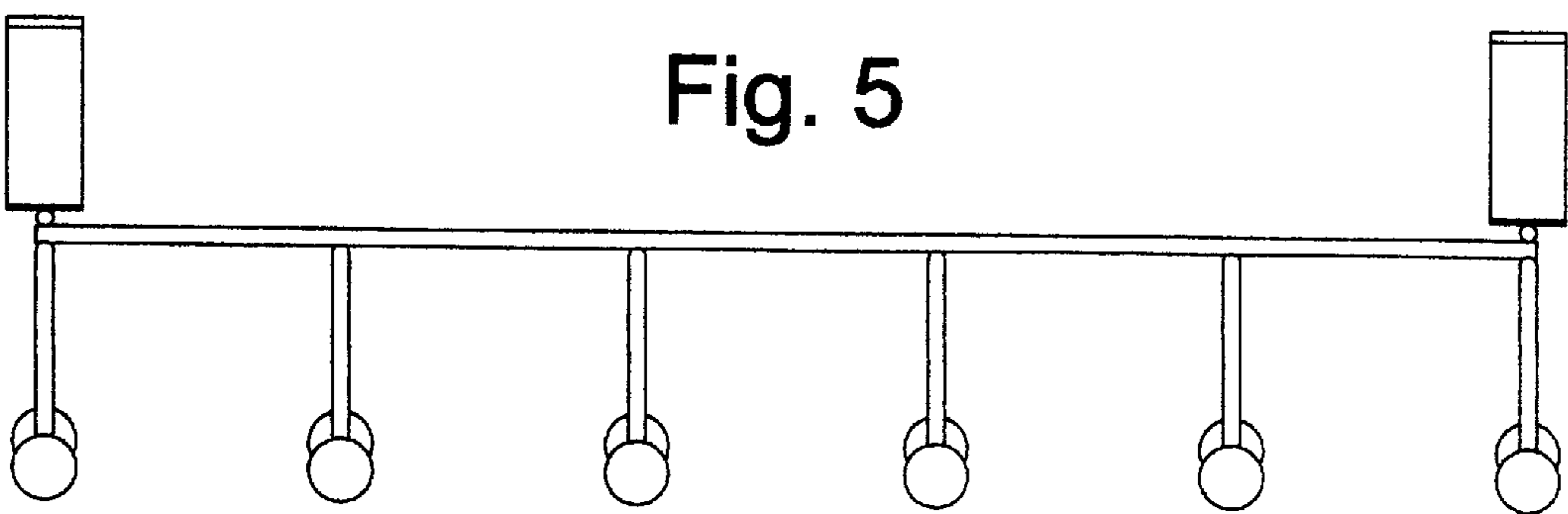


Fig. 5

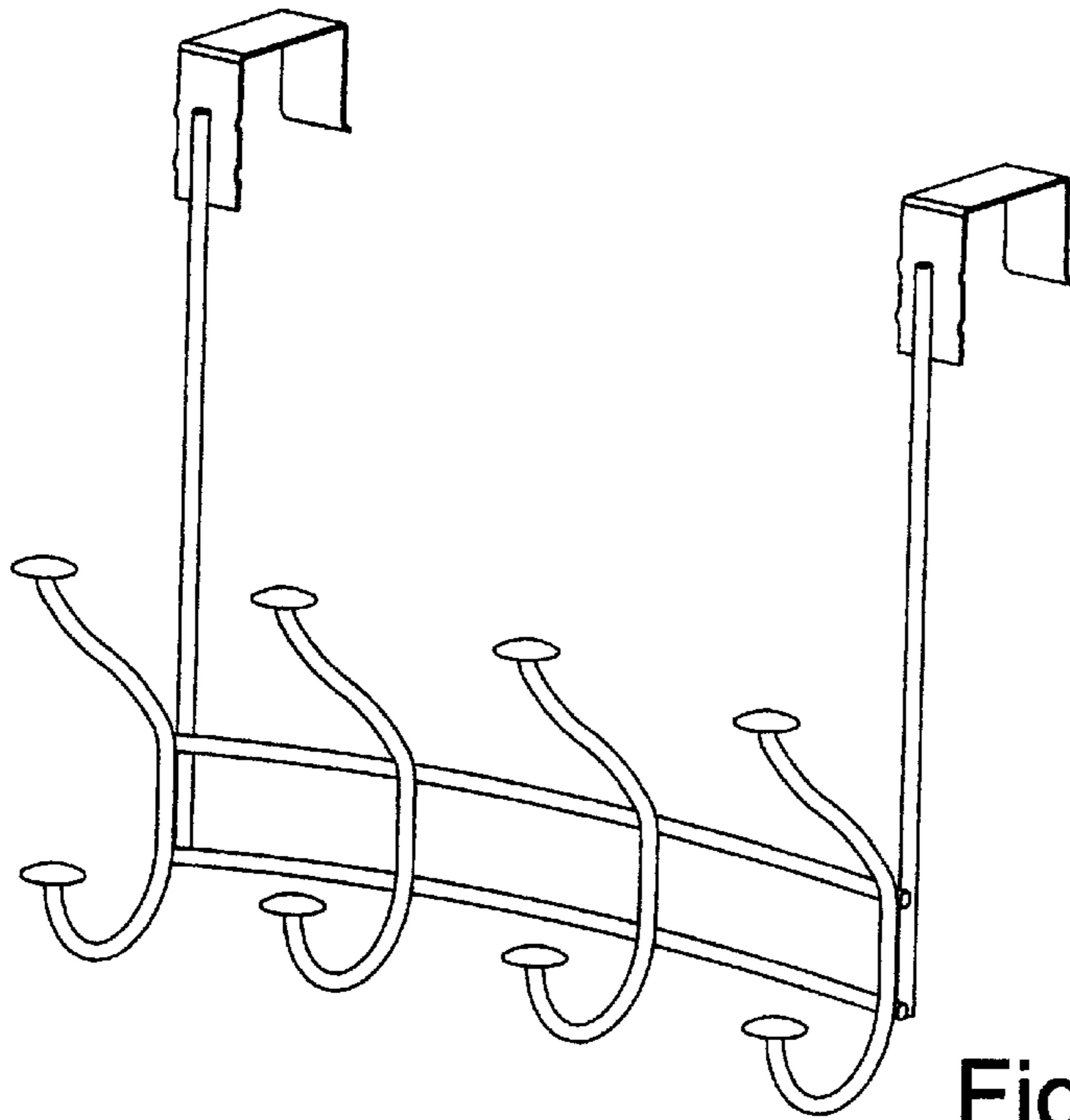


Fig. 7

Fig. 9

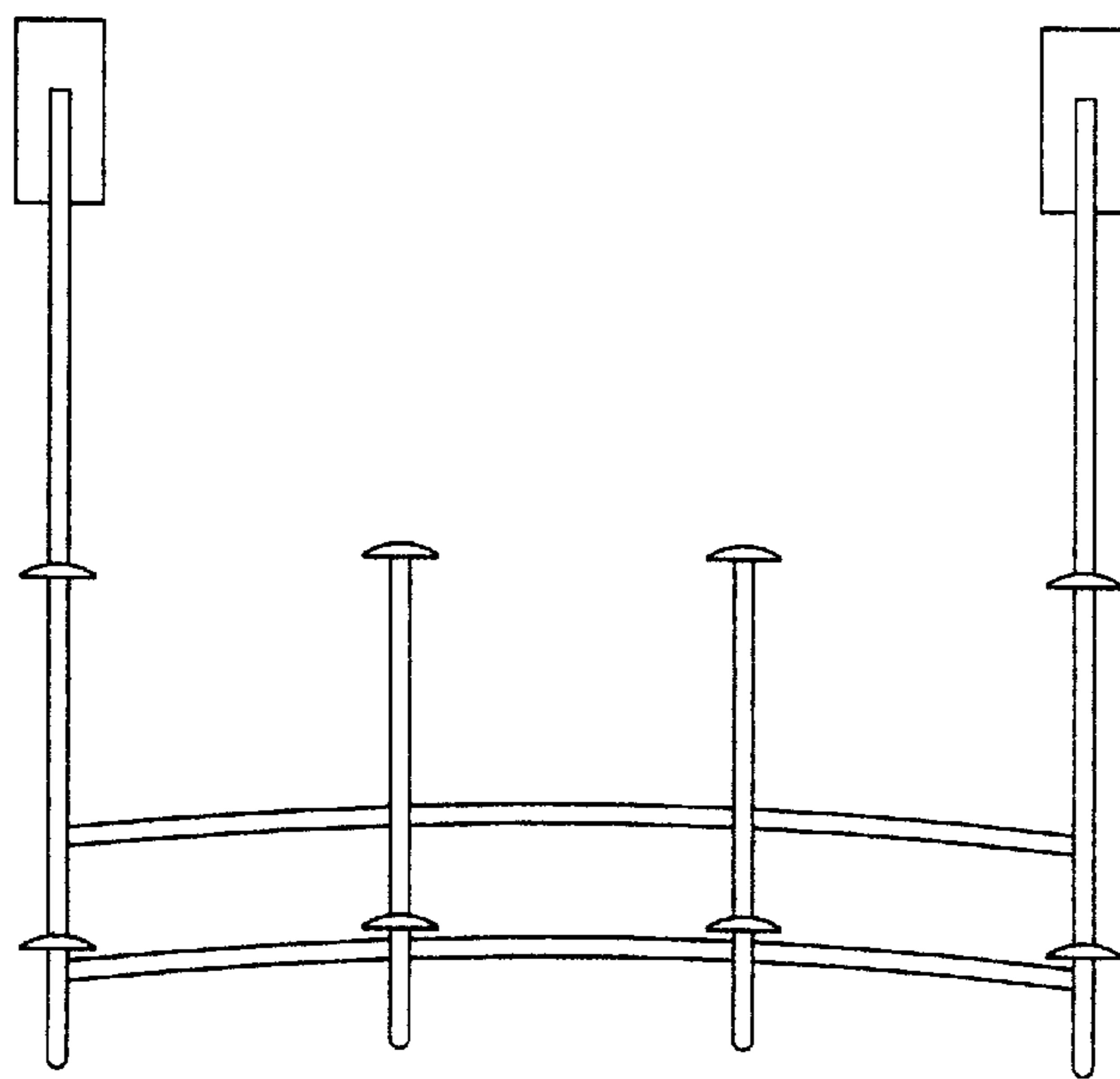
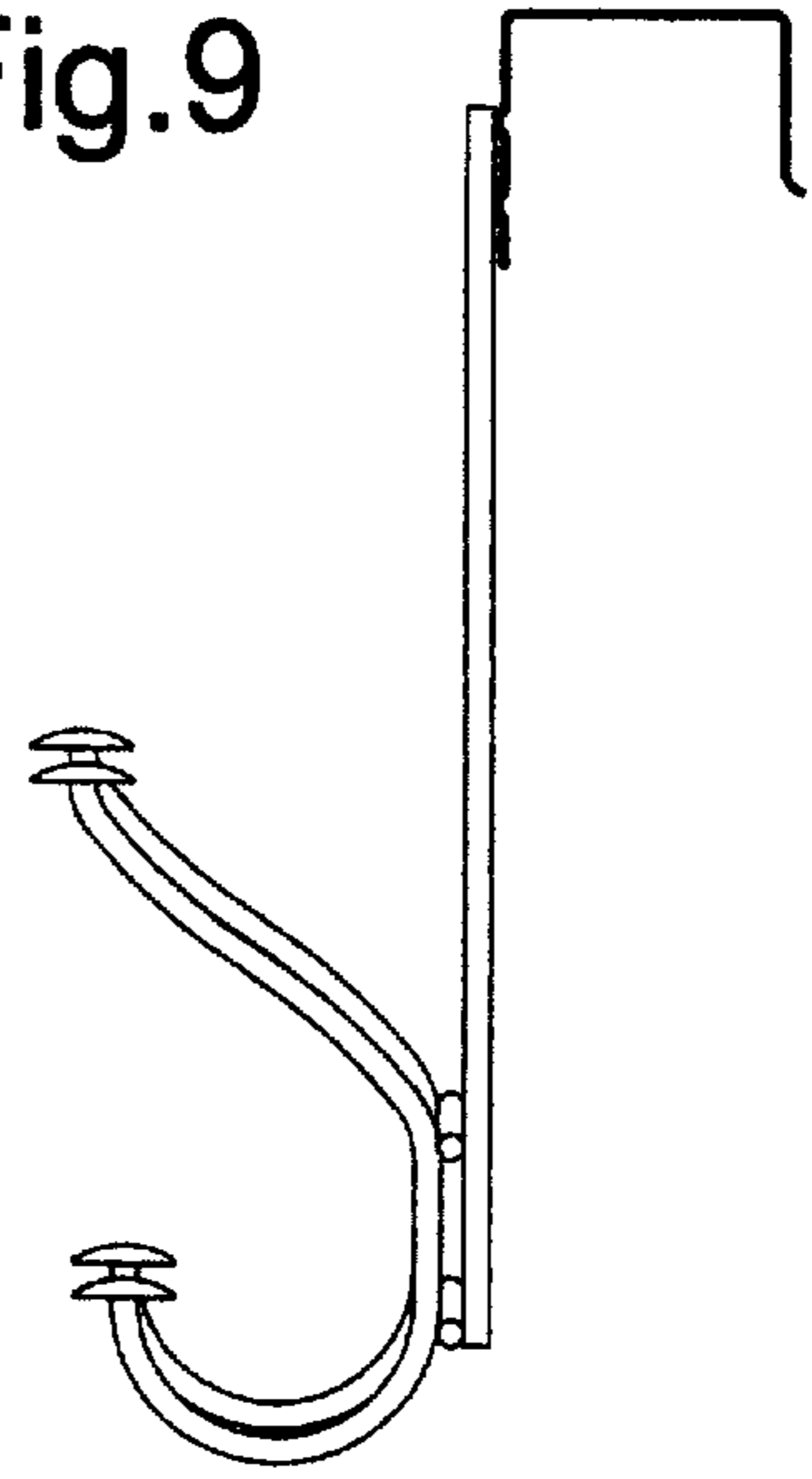


Fig. 8

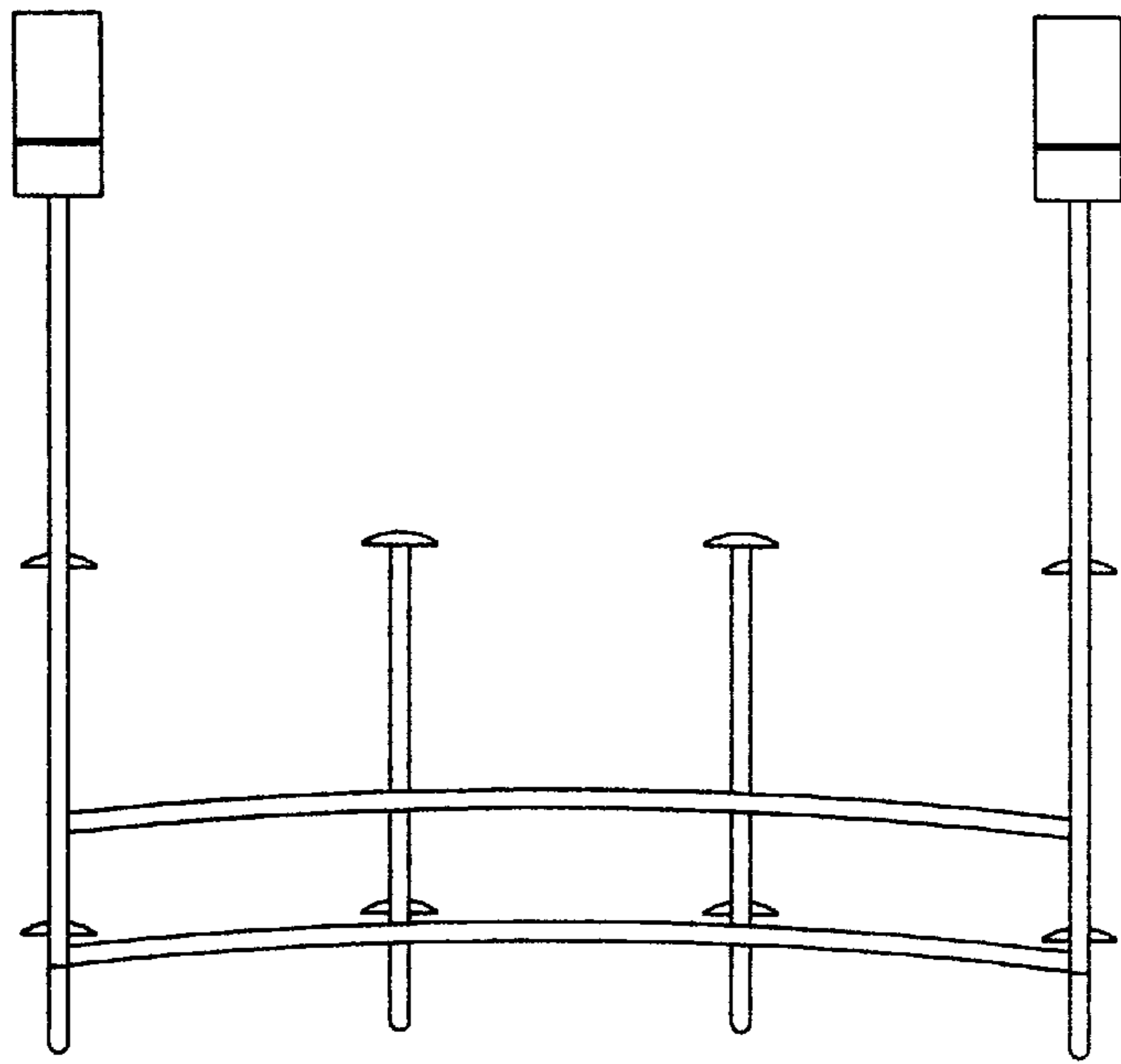


Fig. 10

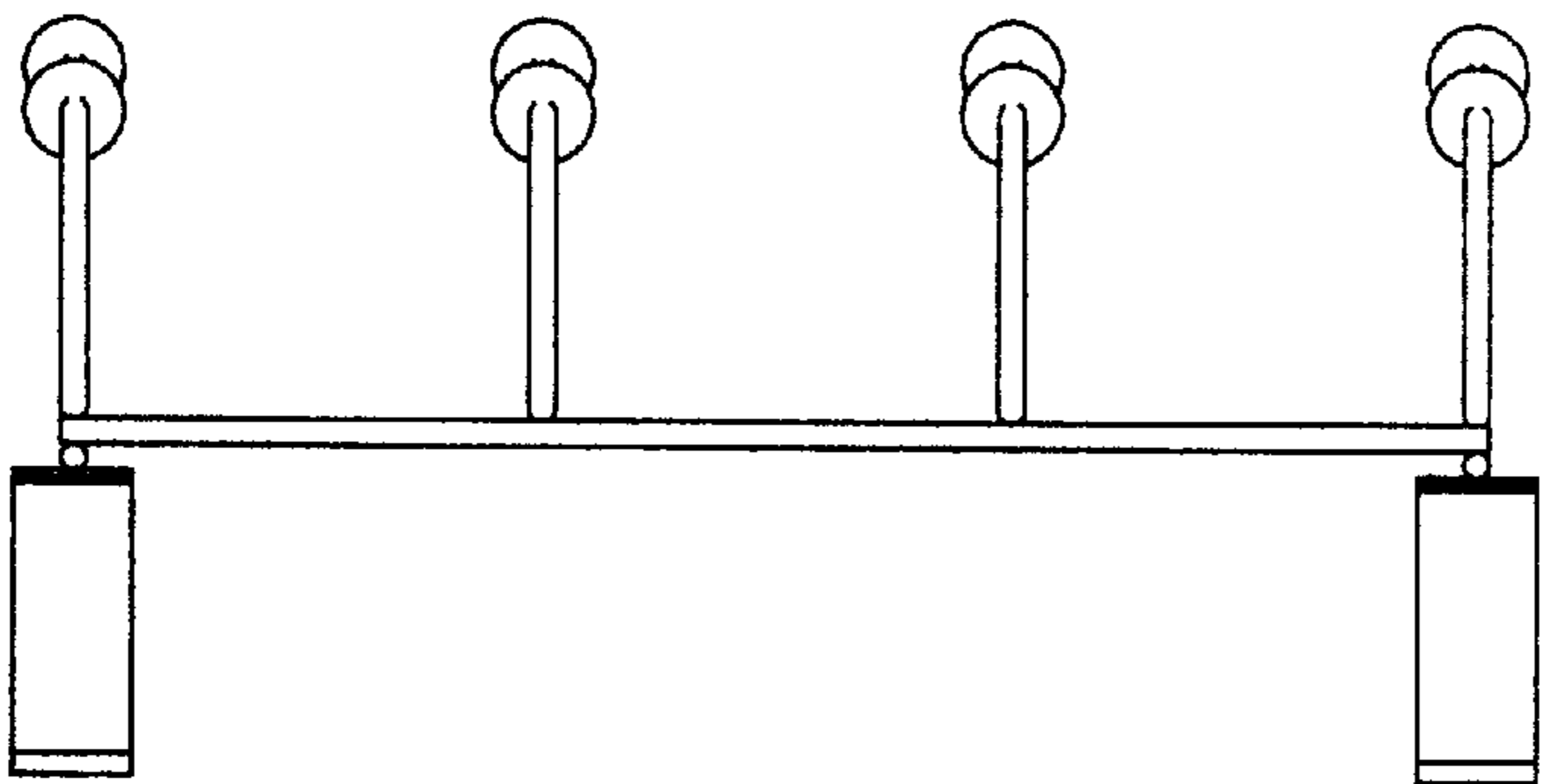


Fig. 12

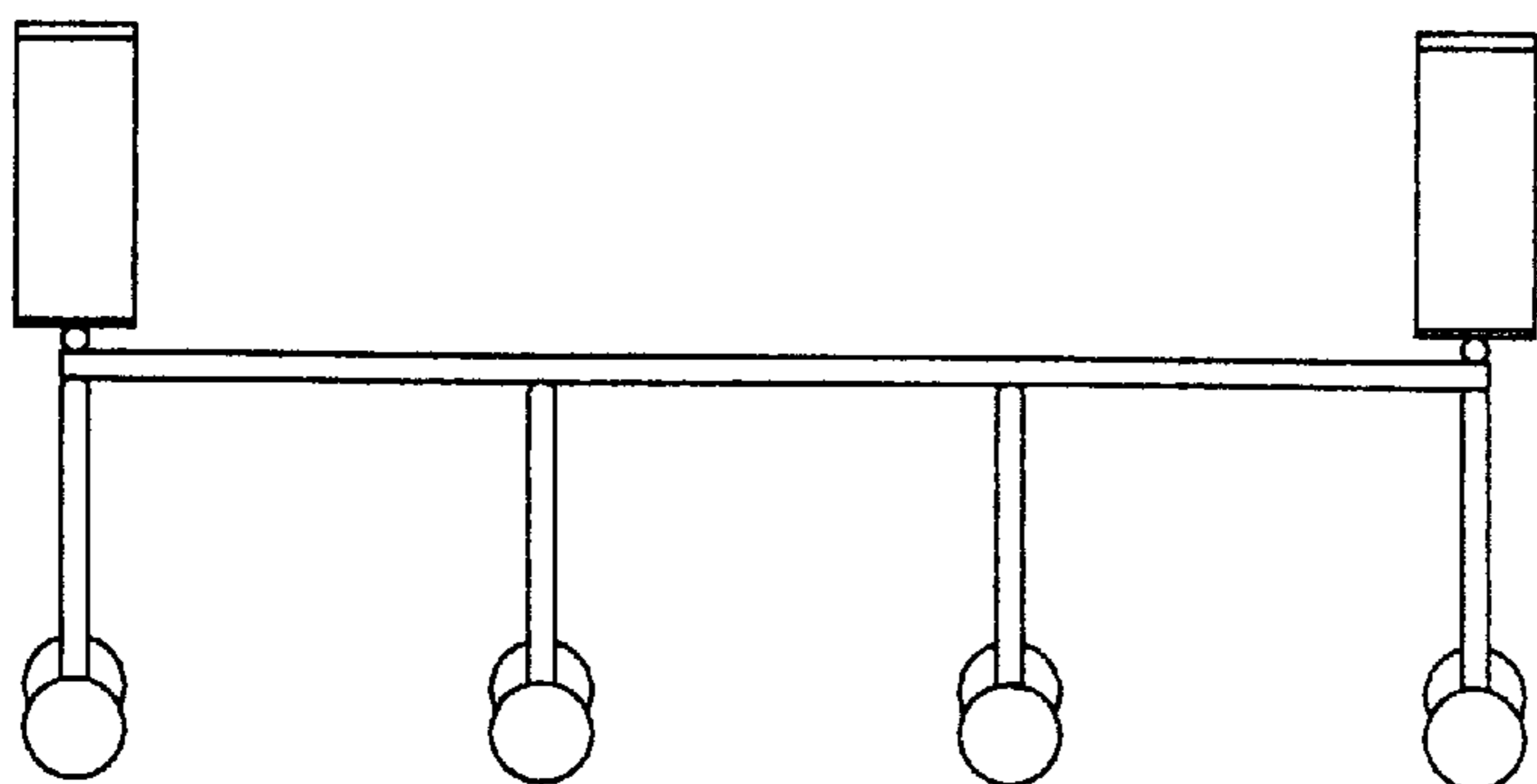


Fig. 11