



US00D461705S

(12) **United States Design Patent**
Bentrim

(10) **Patent No.:** **US D461,705 S**

(45) **Date of Patent:** **** Aug. 20, 2002**

(54) **SHEET METAL CABLE HOOK**

(75) **Inventor:** **Brian G. Bentrim**, Hatfield, PA (US)

(73) **Assignee:** **PEM Management, Inc.**, Wilmington, DE (US)

(**) **Term:** **14 Years**

(21) **Appl. No.:** **29/156,165**

(22) **Filed:** **Feb. 26, 2002**

(51) **LOC (7) Cl.** **08-08**

(52) **U.S. Cl.** **D8/371**

(58) **Field of Search** D5/367, 368, 371,
D5/373, 380; 160/349.2, 348; 248/301-304,
216.1, 467, 339, 351, 231.91, 215, 489,
218.1-218.3, 71, 343; 24/552, 369, 308,
599.1; D6/524, 547

(56) **References Cited**

U.S. PATENT DOCUMENTS

2,030,960 A * 2/1936 Burns 160/349.2

D223,230 S * 4/1972 Kamins et al. D8/367
4,112,550 A * 9/1978 DeWitt et al. D8/367
D375,673 S * 11/1996 Schowalter D8/373
6,279,208 B1 * 8/2001 Gillis 24/343

* cited by examiner

Primary Examiner—Pamela Burgess

(74) *Attorney, Agent, or Firm*—Gregory J. Gore

(57) **CLAIM**

The ornamental design for a sheet metal cable hook, as shown and described.

DESCRIPTION

FIG. 1 is a top right front perspective view of my design for a sheet metal cable hook;
FIG. 2 is a top plan view thereof;
FIG. 3 is a left side elevation view thereof;
FIG. 4 is a front view thereof being the mirror image of the rear view thereof;
FIG. 5 is a right side elevation view thereof; and,
FIG. 6 is a bottom view thereof.

1 Claim, 2 Drawing Sheets

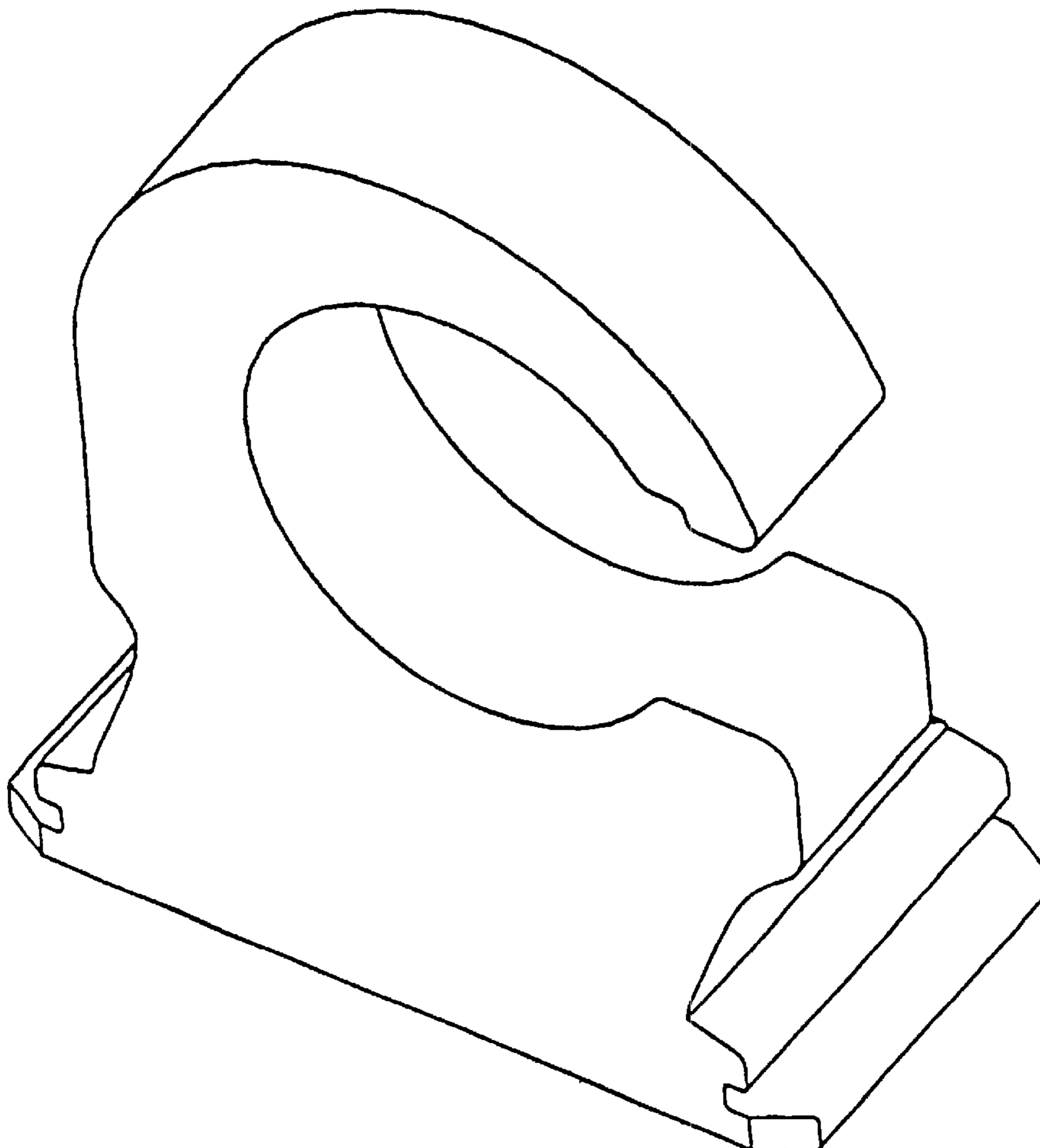


FIG. 1

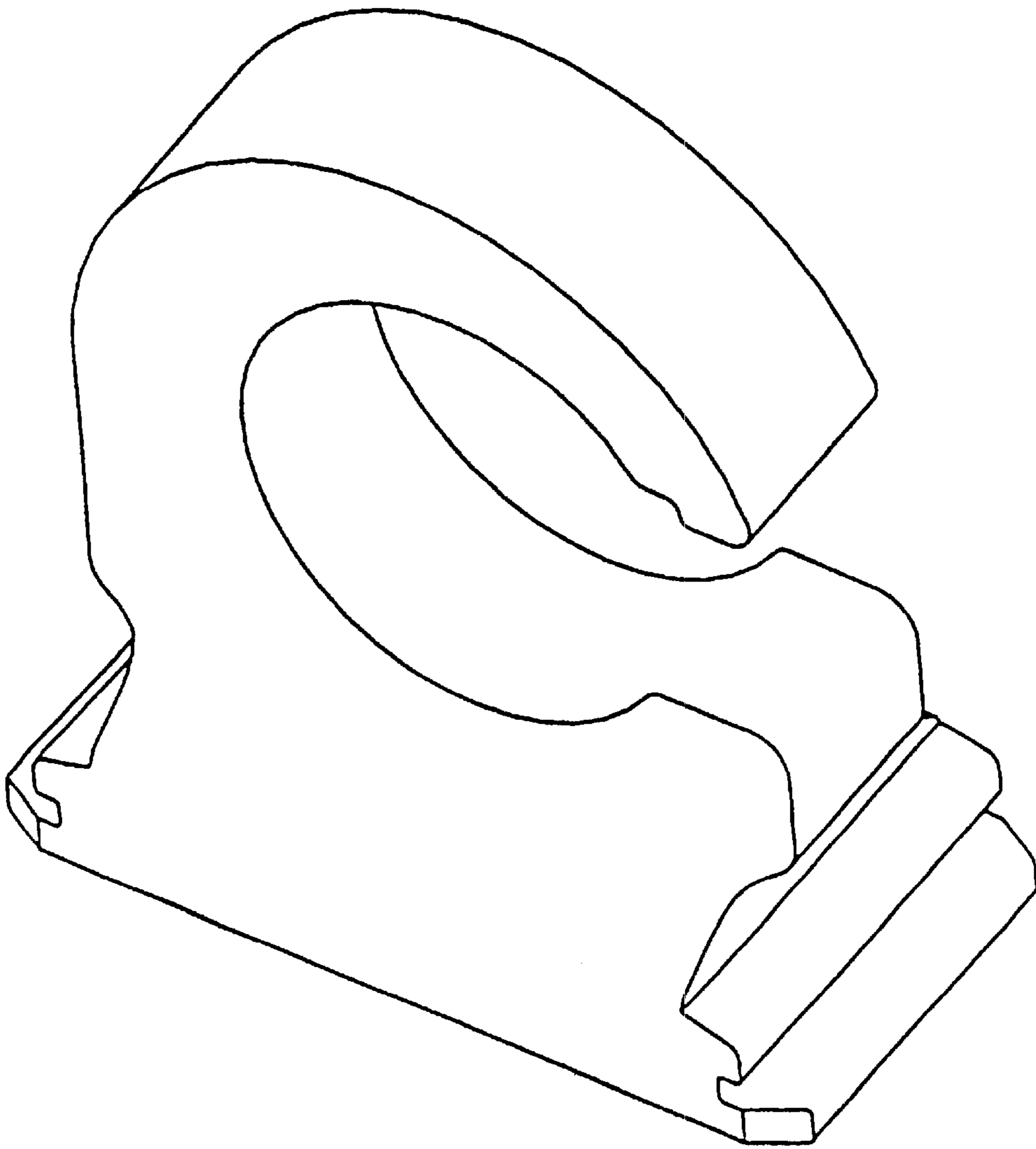


FIG. 2

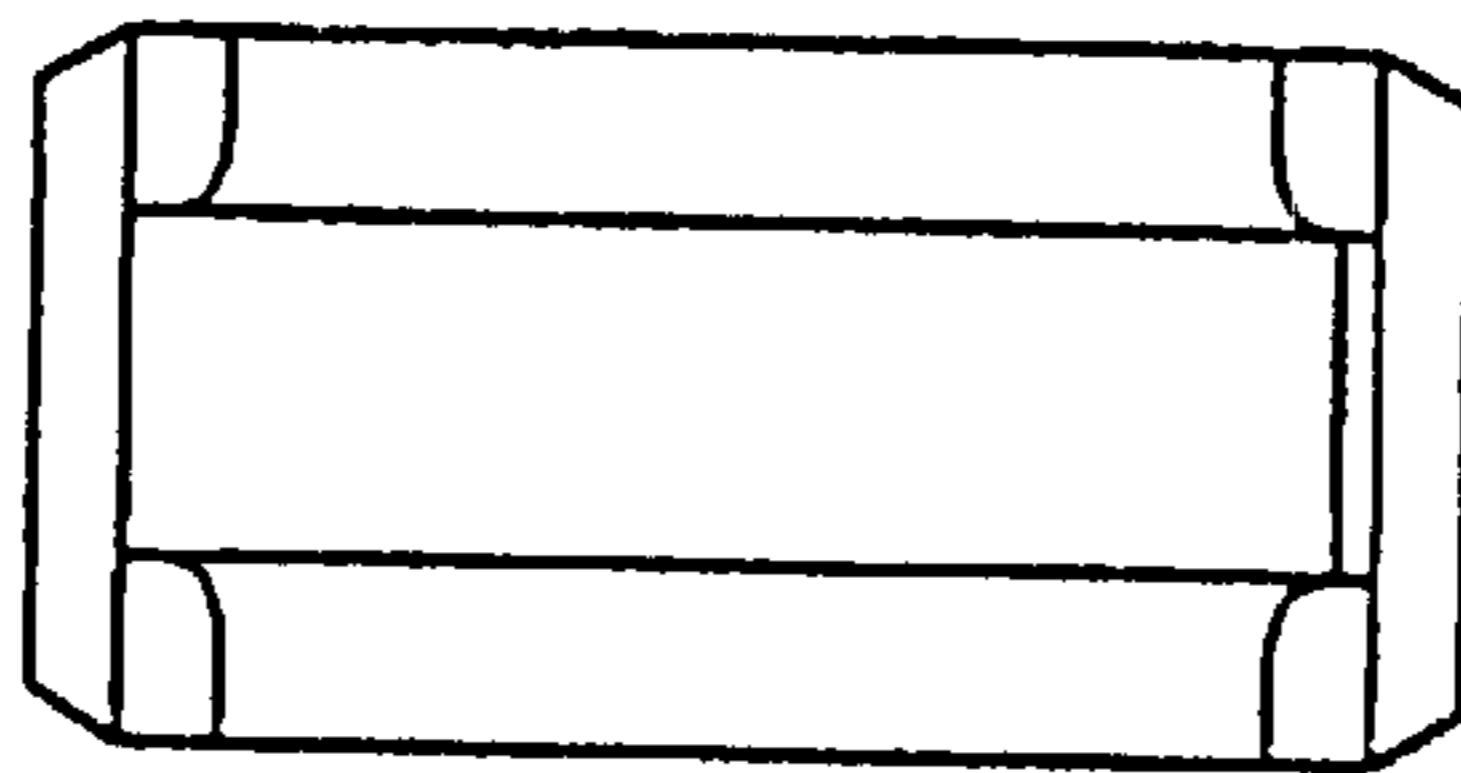


FIG. 3

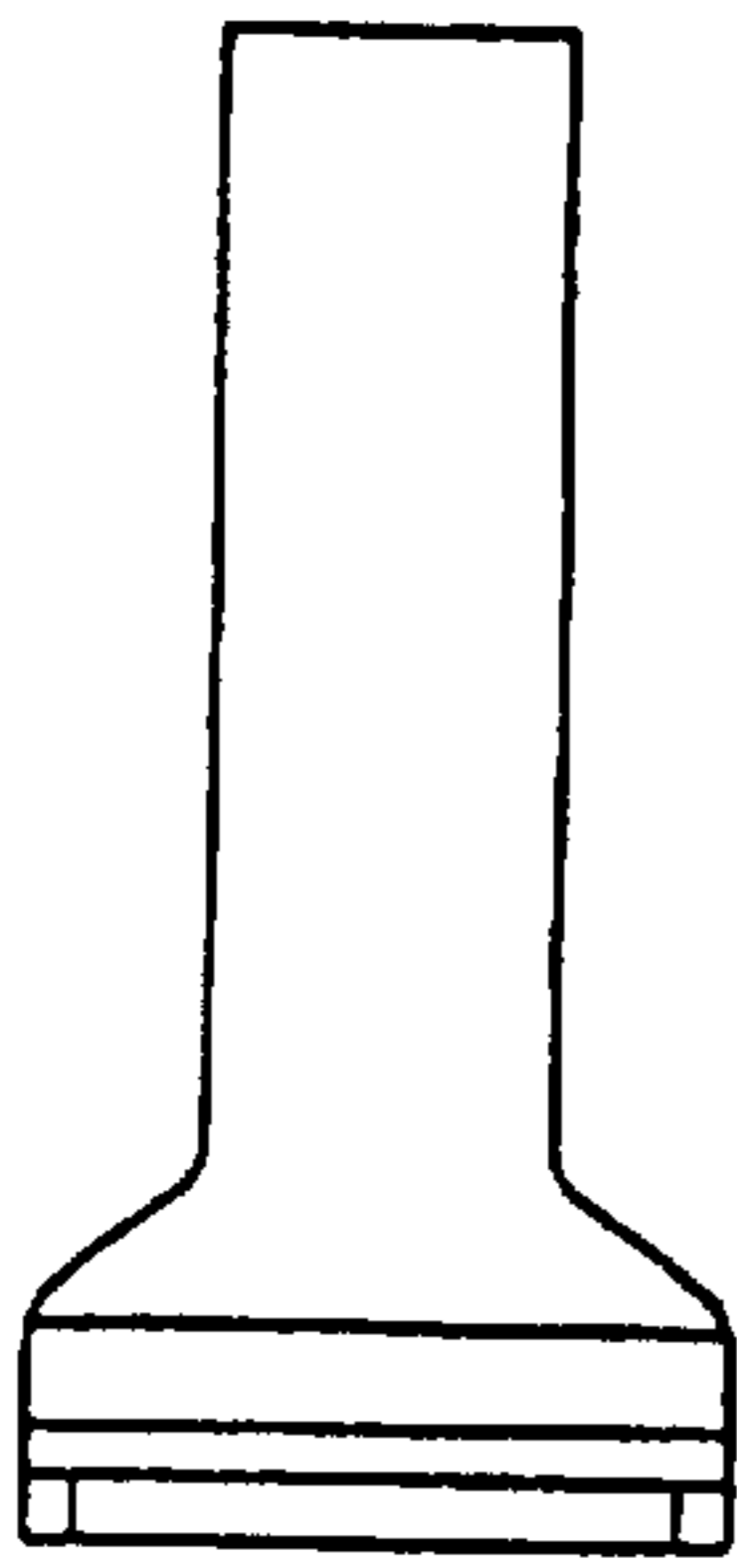


FIG. 4

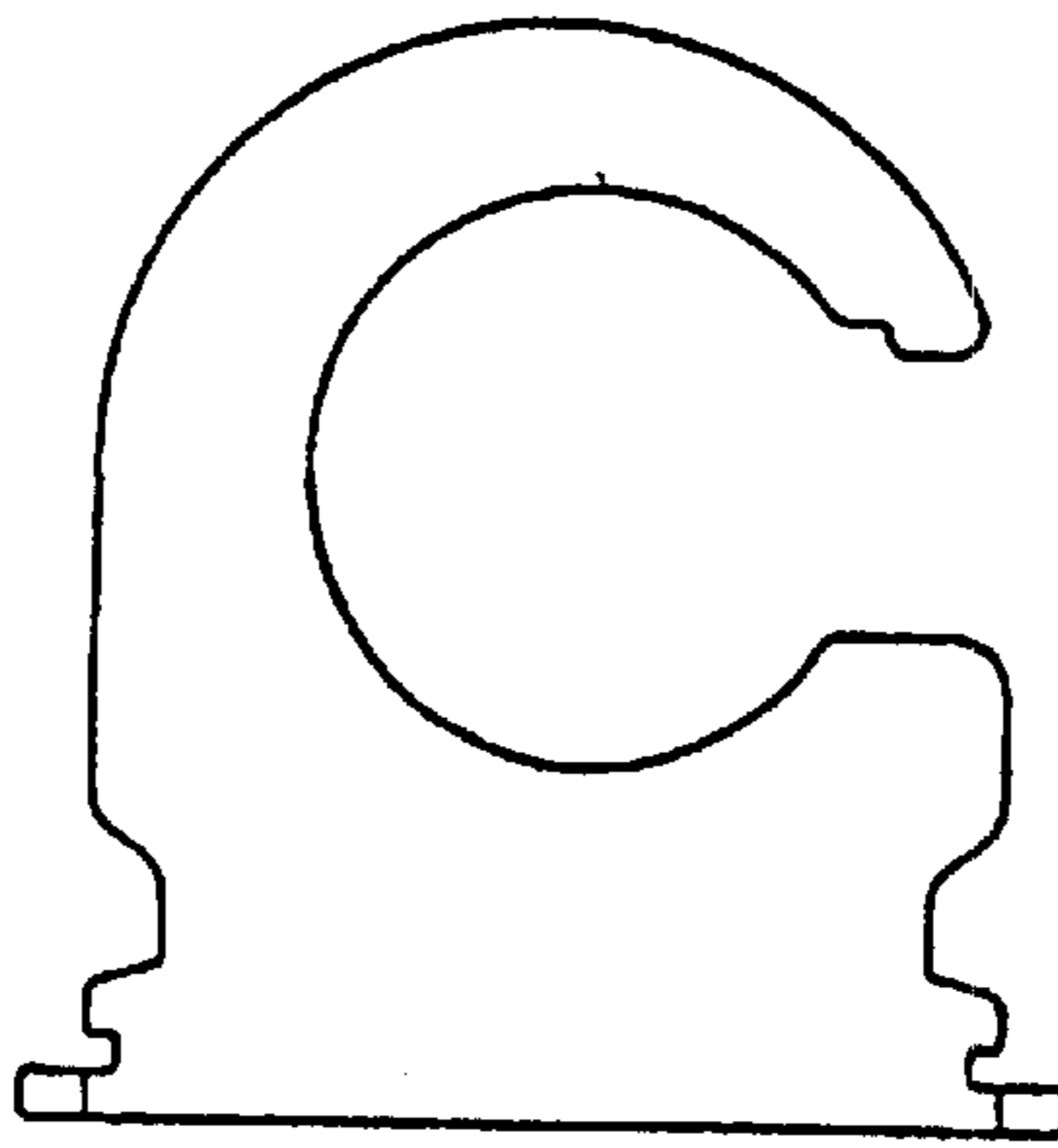


FIG. 5

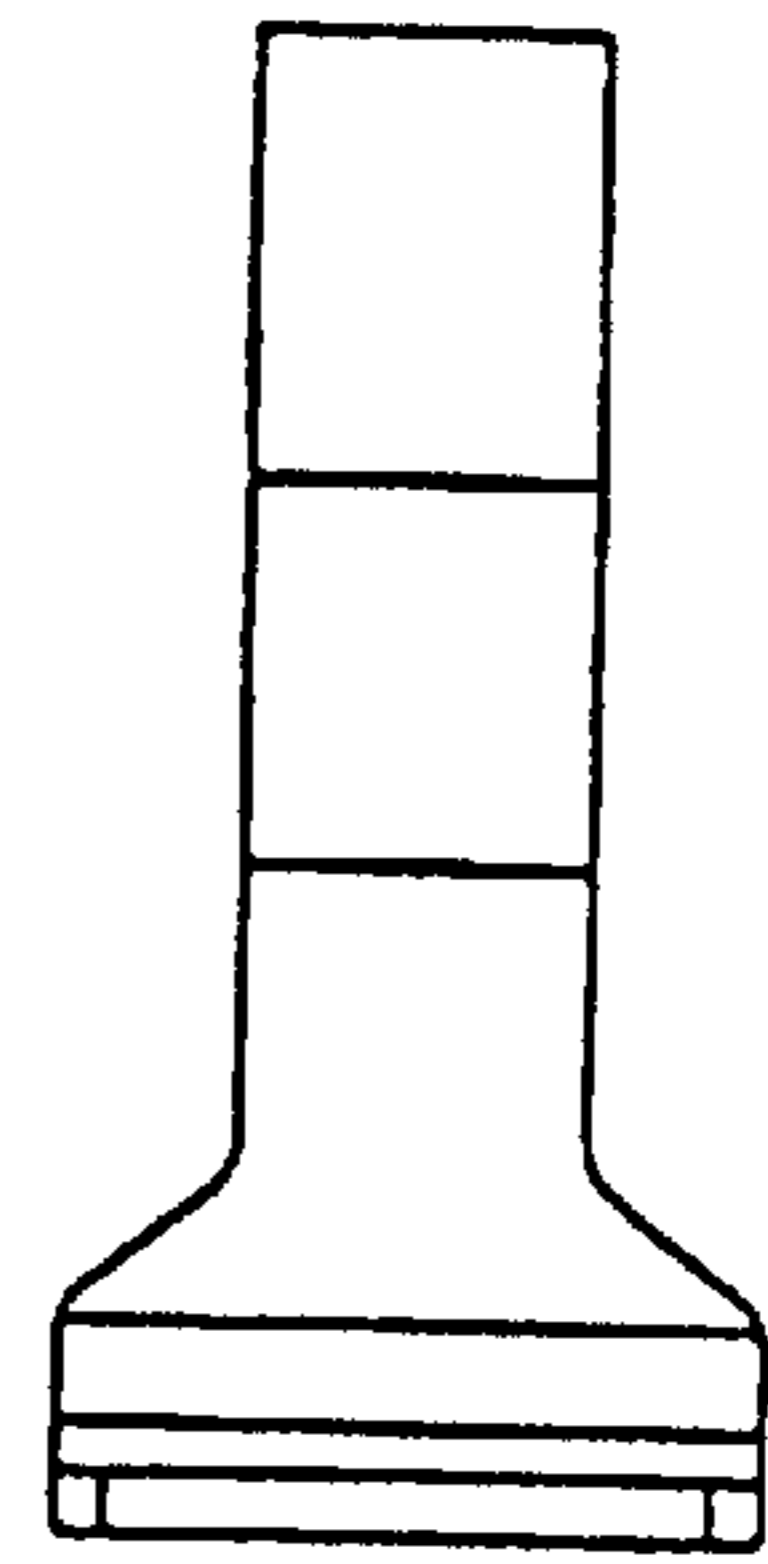


FIG. 6

