



US00D461704S

(12) **United States Design Patent**
Lelievre

(10) **Patent No.:** **US D461,704 S**

(45) **Date of Patent:** **** Aug. 20, 2002**

(54) **AWNING ACCESSORY HOOK**

827,000 A * 7/1906 Dinsmore 160/384
D296,299 S * 6/1988 Bussell D8/373

(76) Inventor: **Marcel Joseph Lelievre**, 15 Bolton St.,
Waltham, MA (US) 02453

* cited by examiner

(**) Term: **14 Years**

Primary Examiner—Pamela Burgess

(21) Appl. No.: **29/142,832**

(57) **CLAIM**

(22) Filed: **Jun. 4, 2001**

The ornamental design for an awning accessory hook, as shown and described.

(51) **LOC (7) Cl.** **08-05**

(52) **U.S. Cl.** **D8/367**

(58) **Field of Search** D8/367, 368, 369,
D8/370, 371, 372, 352, 373; D6/323, 324,
320, 566, 567, 547, 580; 160/349.1, 349.2,
348, 388, 384; 248/301, 304, 339, 215,
489

DESCRIPTION

FIG. 1 is a slightly enlarged, perspective view of the awning accessory hook, showing my design; and,

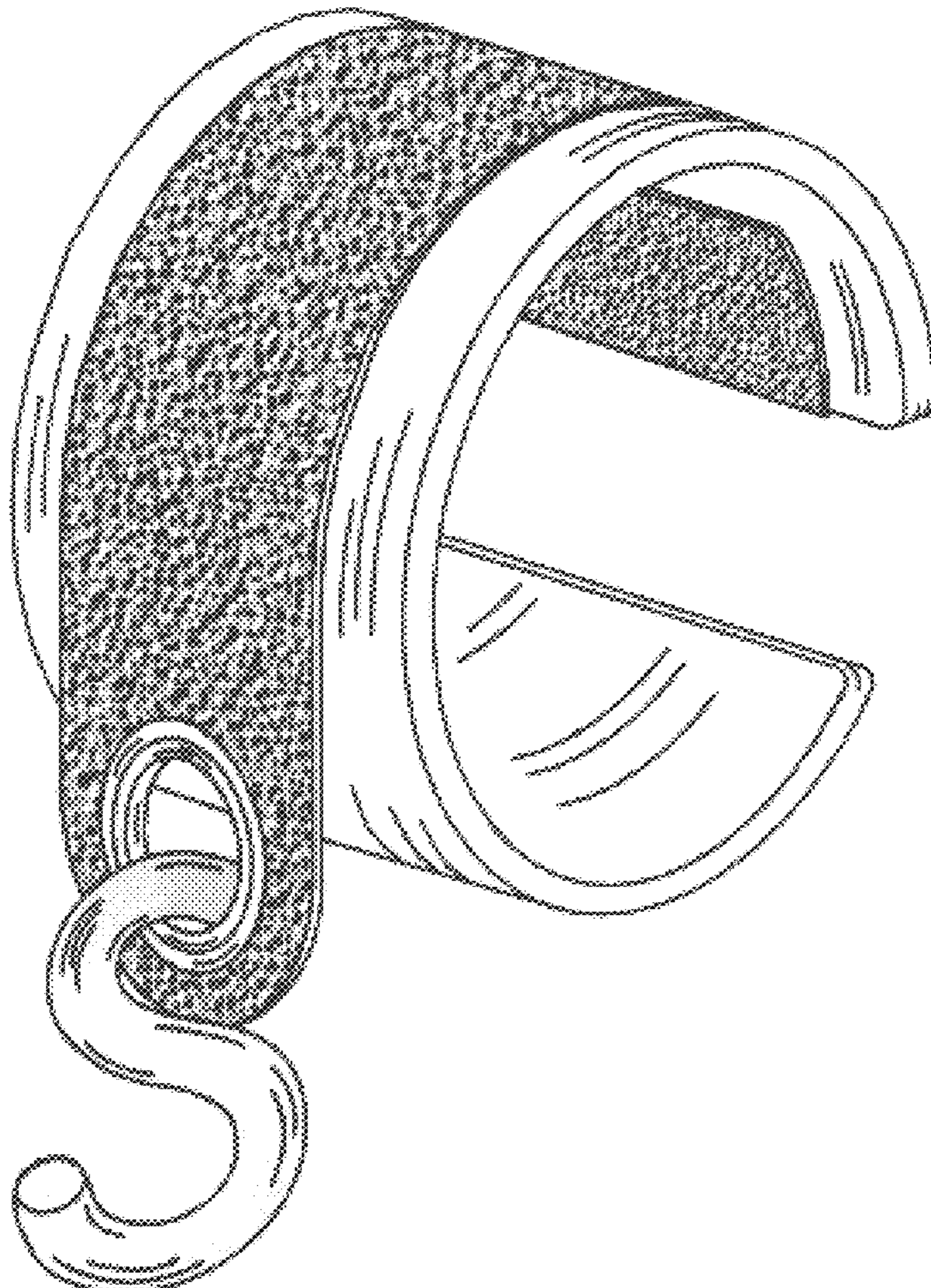
FIG. 2 is a slightly enlarged, side view of the awning accessory hook.

(56) **References Cited**

U.S. PATENT DOCUMENTS

514,222 A * 2/1894 Hall 248/489

1 Claim, 2 Drawing Sheets



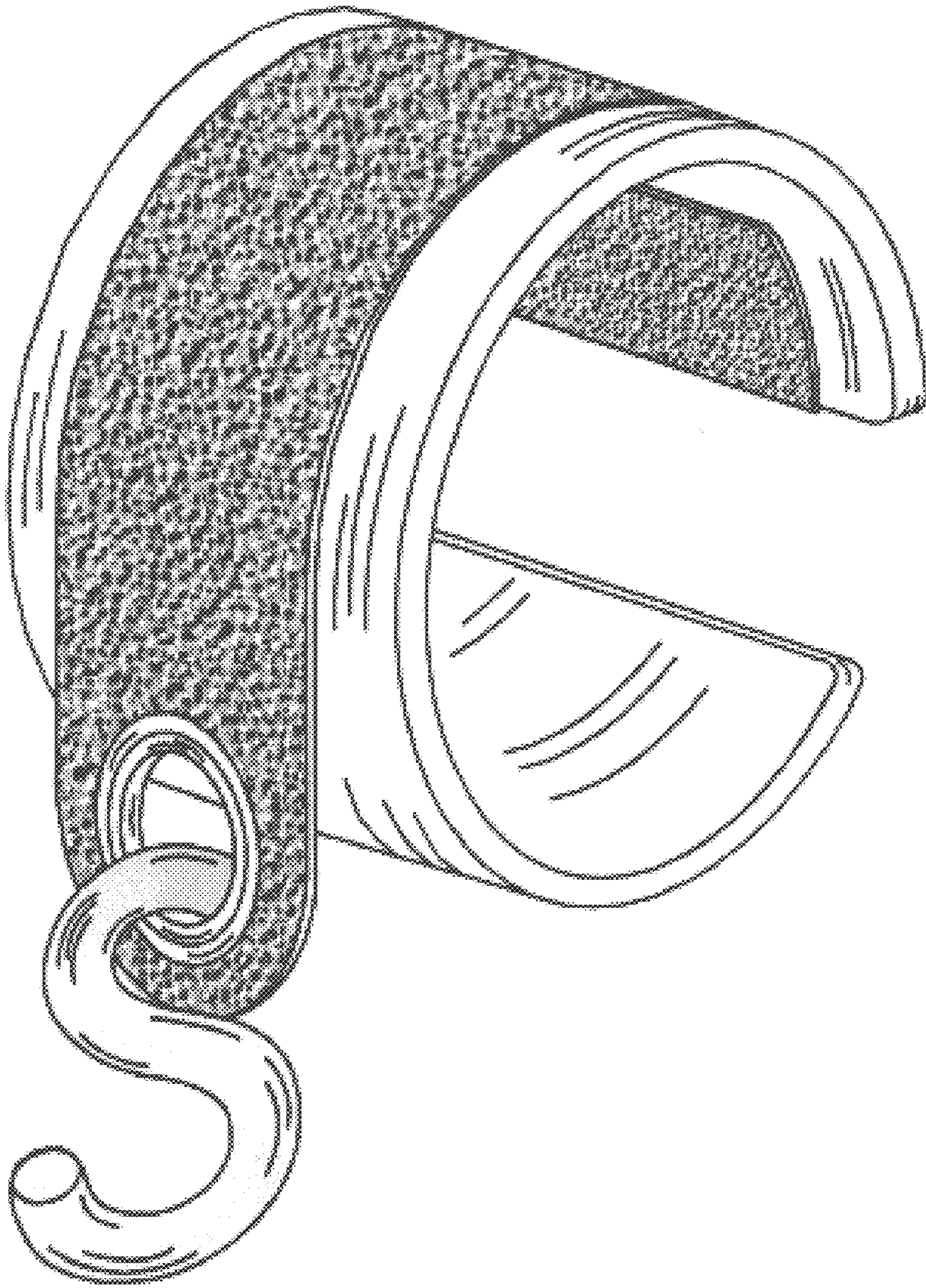


Figure 1

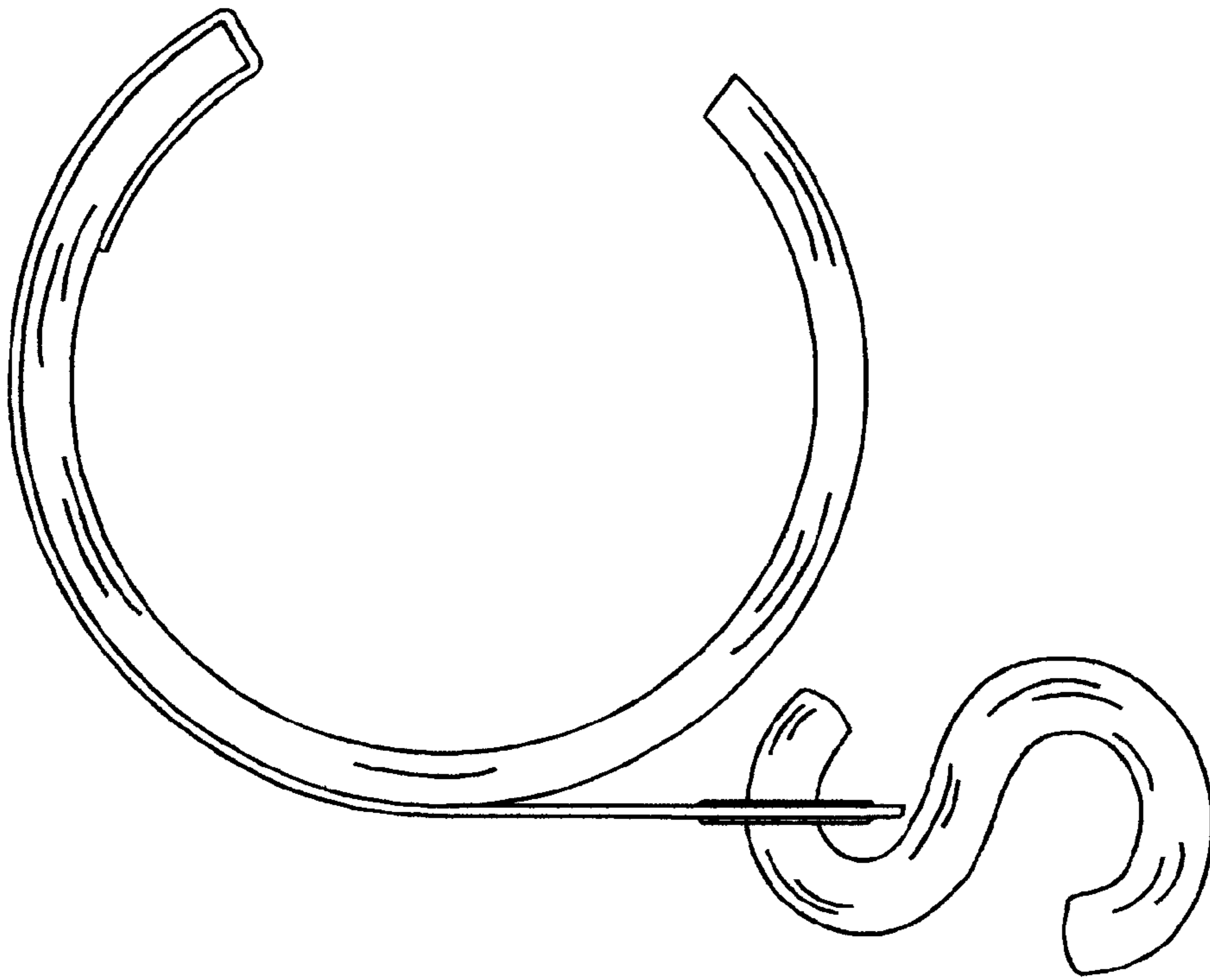


Figure 2