



US00D461703S

(12) **United States Design Patent**  
**Kohli et al.**

(10) **Patent No.:** **US D461,703 S**

(45) **Date of Patent:** **\*\* Aug. 20, 2002**

(54) **REEL AND HOSE ASSEMBLY**  
  
(75) Inventors: **Harjit S. Kohli**, Sugar Land, TX (US);  
**Elizabeth A. Mackenzie**, Gloucester  
(CA); **Gary L. Rogers**, Sugar Land,  
TX (US); **Jean-Louis Pessin**; **Erik**  
**Rhein-Knudsen**, both of Houston, TX  
(US); **Andrew Muddimer**, Sugar Land,  
TX (US); **Mark R. Williamson**, Epsom  
(GB)

(73) Assignee: **Schlumberger Technology**  
**Corporation**, Sugar Land, TX (US)

(\*\*) Term: **14 Years**

(21) Appl. No.: **29/125,796**

(22) Filed: **Jun. 29, 2000**

(51) **LOC (7) Cl.** ..... **08-05**

(52) **U.S. Cl.** ..... **D8/359**

(58) **Field of Search** ..... D8/349, 354, 356,  
D8/357, 358, 359; 137/355.2, 355.12, 355.16,  
355.17, 355.18, 355.19, 355.22, 355.26,  
355.27, 355.28; 191/12.2 R; 206/389; 239/195;  
242/118, 118.4, 118.6, 118.62, 128, 129,  
129.5, 129.51, 129.6, 129.62, 134, 137,  
395, 398, 403, 405, 405.1, 405.2, 405.3,  
407, 598.5; D12/1, 13, 14, 93; 280/4

(56) **References Cited**

**U.S. PATENT DOCUMENTS**

2,354,631 A \* 7/1944 Williamson ..... 137/355.19  
3,152,772 A \* 10/1964 Schjerven ..... 242/598.5  
4,174,809 A \* 11/1979 Arlemark ..... 137/355.2

4,830,283 A \* 5/1989 Johnson ..... 137/355.2  
D355,584 S 2/1995 Clivio  
5,598,866 A \* 2/1997 Nelson ..... 137/355.12  
5,666,992 A \* 9/1997 Robins ..... 137/355.27  
D390,093 S 2/1998 Spear et al.  
D390,449 S 2/1998 Whitehead et al.  
D422,197 S 4/2000 Kovacik et al.

\* cited by examiner

*Primary Examiner*—Doris V. Coles

*Assistant Examiner*—Elizabeth A. Albert

(74) *Attorney, Agent, or Firm*—Thomas O. Mitchell;  
Brigitte L. Jeffery; John J. Ryberg

(57) **CLAIM**

The ornamental design for a reel and hose assembly, as shown and described.

**DESCRIPTION**

FIG. 1 is a left side elevational view of our new design of a reel and hose assembly.

FIG. 2 is a right side elevational view of the reel and hose assembly of FIG. 1.

FIG. 3 is a top elevational view of the reel and hose assembly of FIG. 1.

FIG. 4 is a rear elevational view of the reel and hose assembly of FIG. 1; and,

FIG. 5 is a perspective view showing the top, rear, and right side of the reel and hose assembly of FIG. 1.

The portions of a truck on which the reel and hose assembly is mounted in the figures shown in broken lines are for illustrative purposes only and form no part of the claimed design.

**1 Claim, 5 Drawing Sheets**

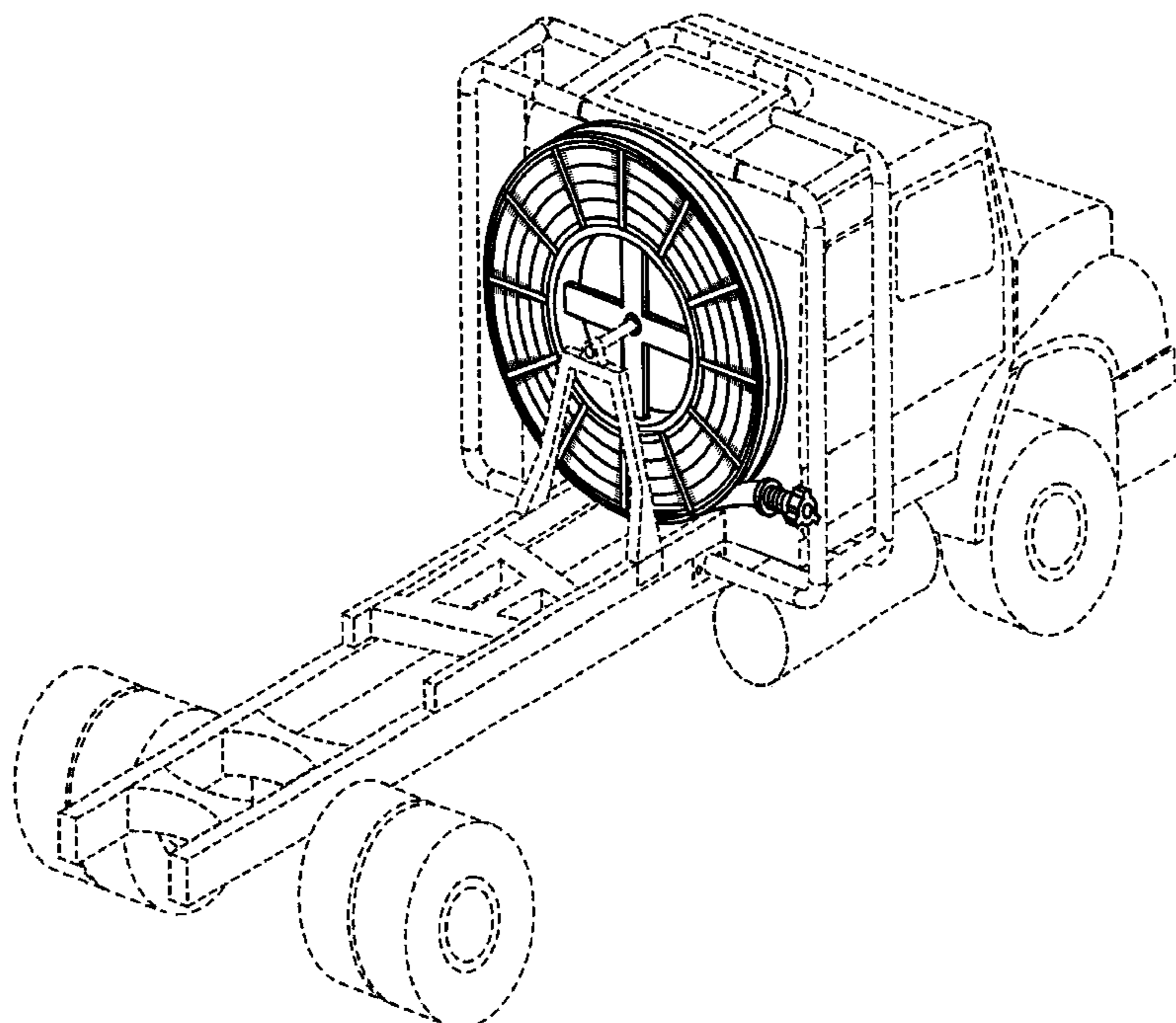


Fig.1

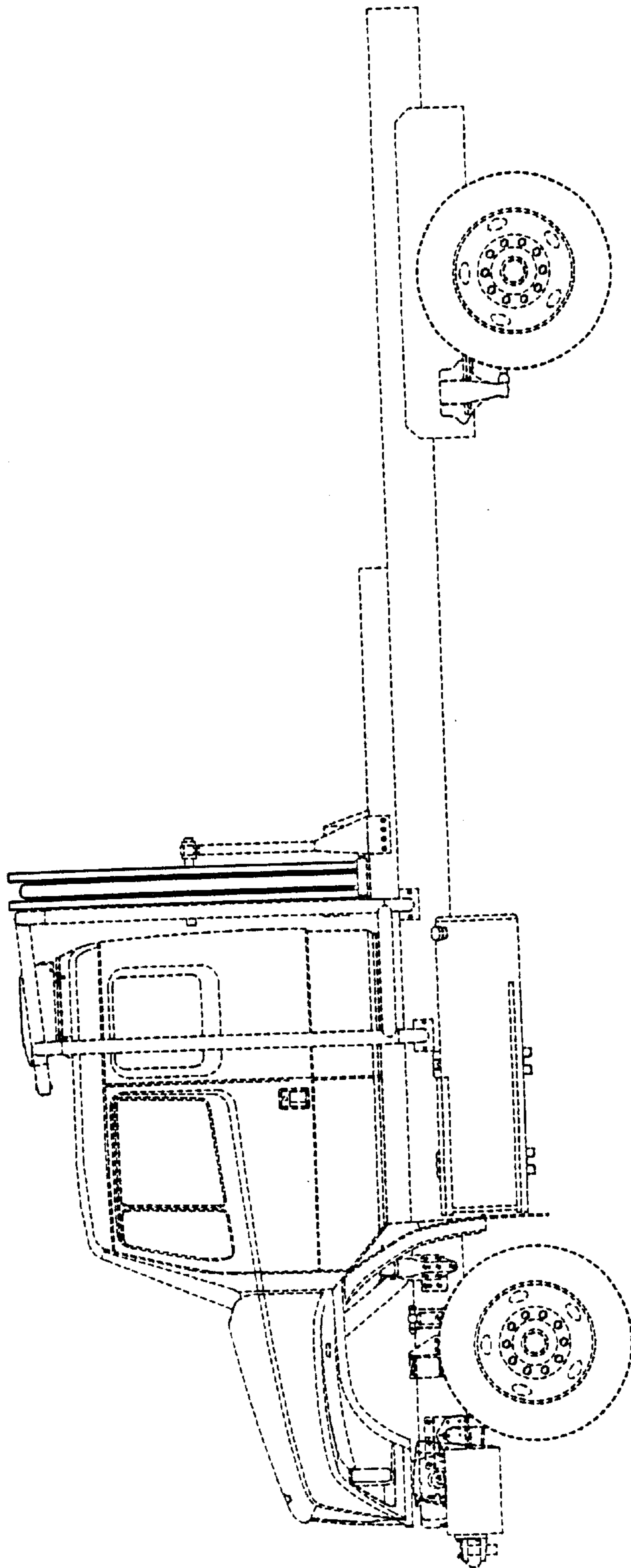


Fig.2

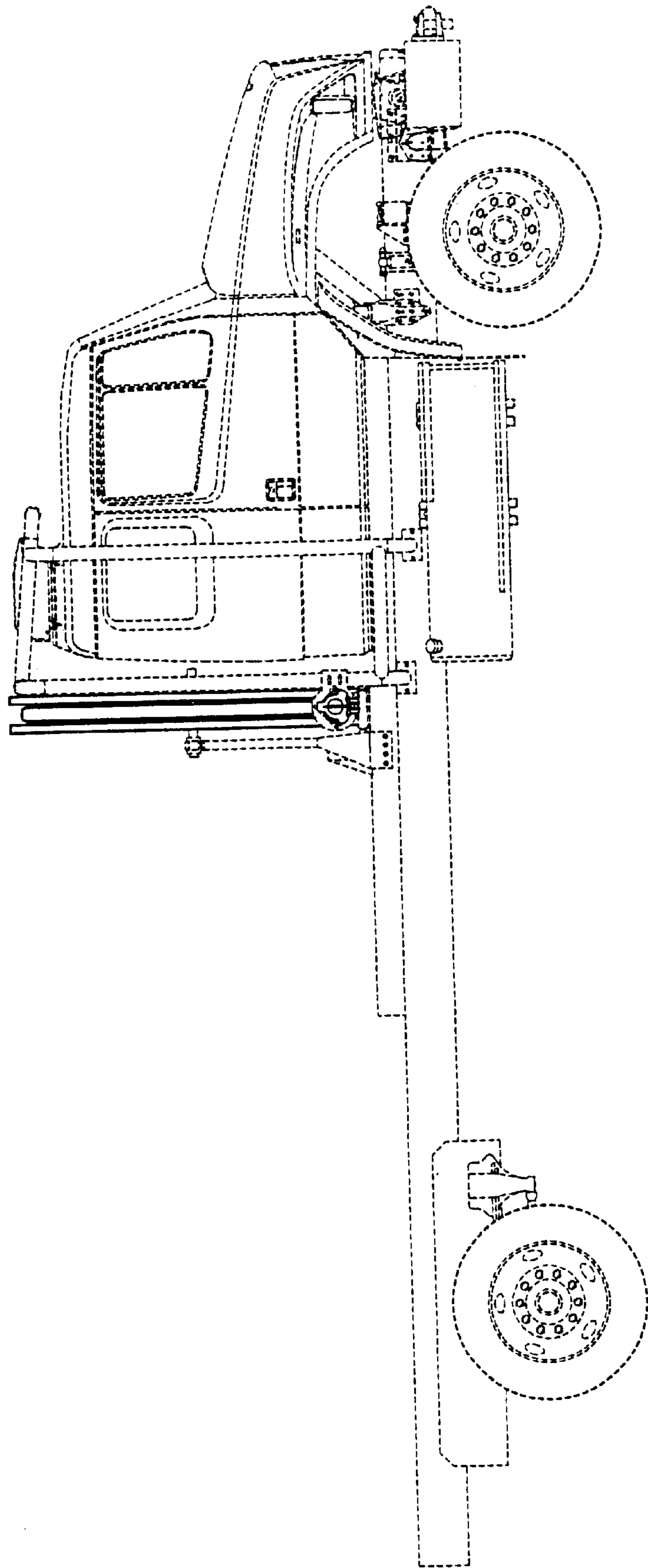


Fig.3

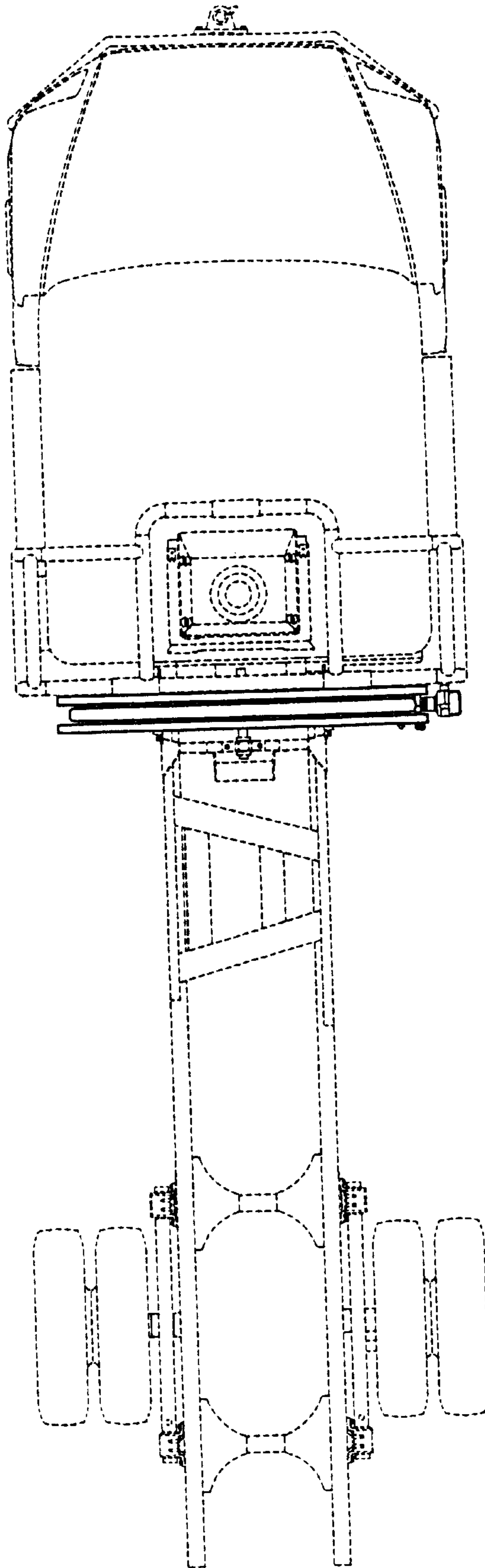
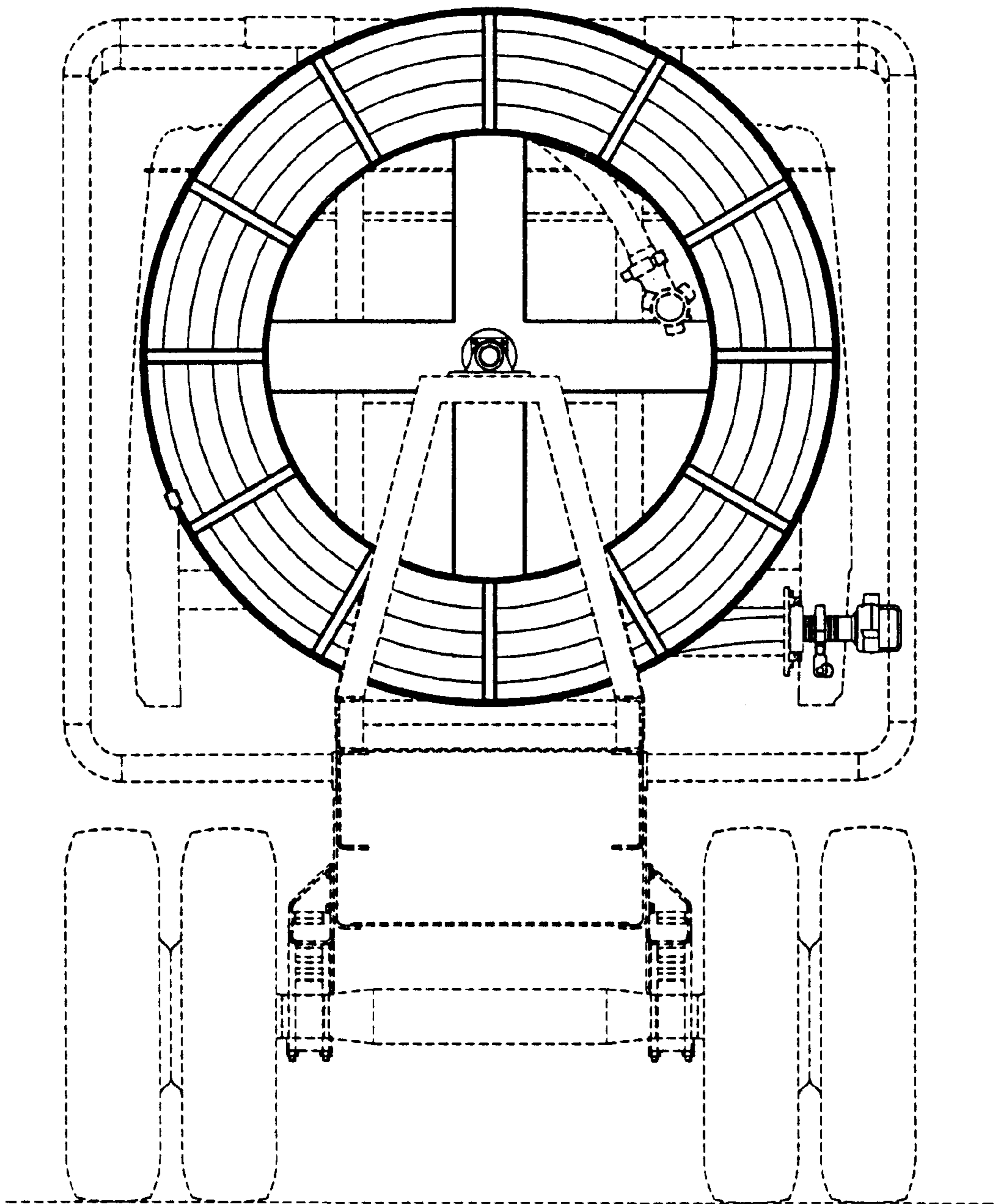


Fig.4



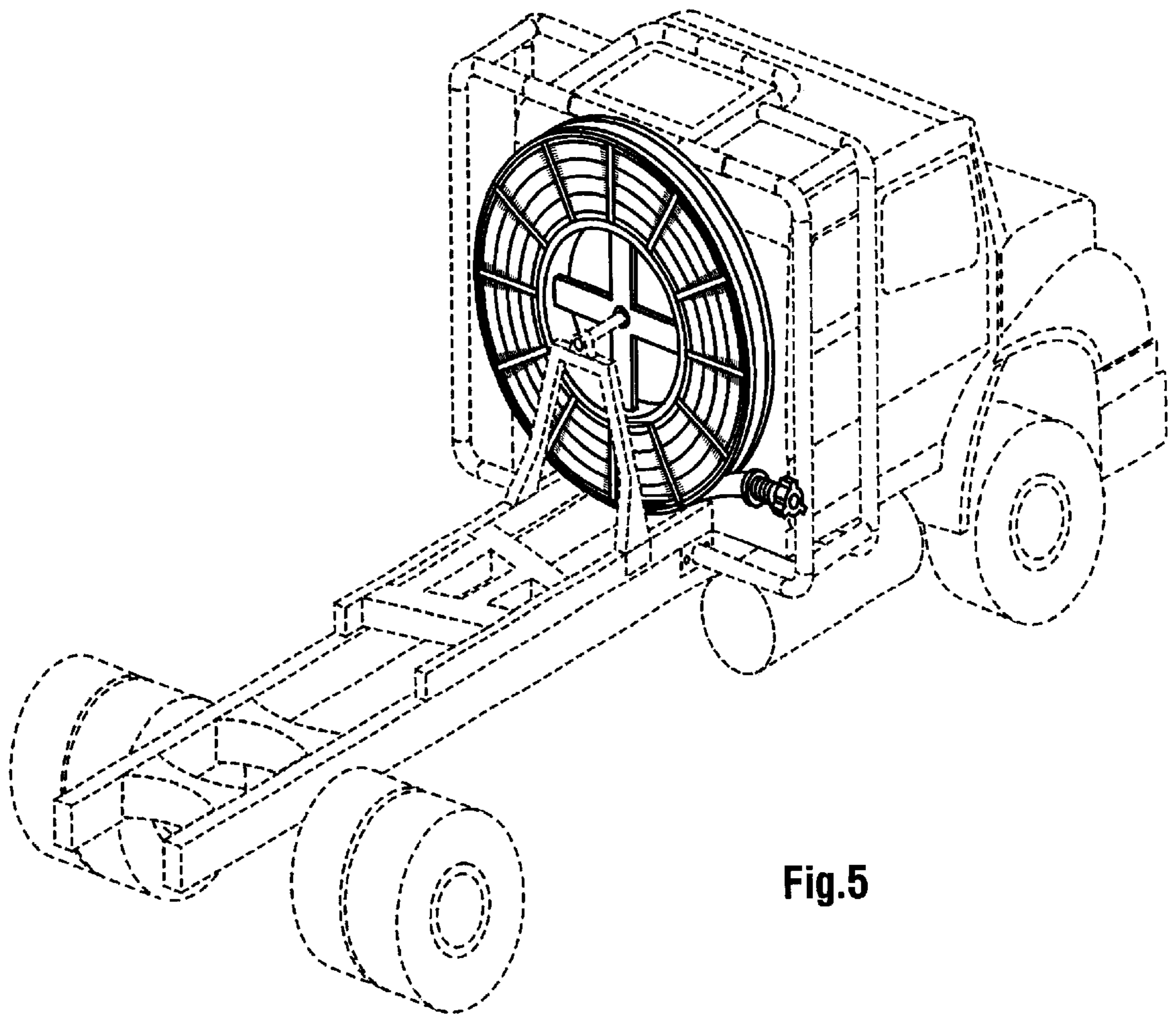


Fig.5