



US00D461700S

(12) **United States Design Patent**  
**Meredith**

(10) **Patent No.:** **US D461,700 S**

(45) **Date of Patent:** **\*\* Aug. 20, 2002**

(54) **STRIKE BOX**

(75) Inventor: **Emily K. Meredith**, Brea, CA (US)

(73) Assignee: **Emhart LLC**, Newark, DE (US)

(\*\*) Term: **14 Years**

(21) Appl. No.: **29/141,278**

(22) Filed: **May 3, 2001**

(51) **LOC (7) Cl.** ..... **08-07**

(52) **U.S. Cl.** ..... **D8/344**

(58) **Field of Search** ..... D8/330, 331, 343,  
D8/344; 292/340, 341.18, 341.19

(56) **References Cited**

**U.S. PATENT DOCUMENTS**

1,434,947 A	11/1922	Freysinger	
1,723,126 A	8/1929	Best	
1,789,171 A	1/1931	Manrique et al.	
3,130,573 A	4/1964	Hines	
3,241,873 A	* 3/1966	Russell et al. ....	292/340
3,628,356 A	12/1971	Dehl	
3,821,886 A	7/1974	Ladewig	
4,005,890 A	2/1977	Murch	
4,008,588 A	2/1977	Miller et al.	
4,014,573 A	3/1977	Lehnhoff	
4,065,162 A	* 12/1977	Schlage .....	292/340
4,068,510 A	1/1978	Neary	
4,122,695 A	10/1978	Hall	
4,186,954 A	* 2/1980	Detlefs .....	292/340
4,362,035 A	12/1982	Vitale	
4,512,165 A	4/1985	Uyeda	
4,598,563 A	7/1986	Berkowitz	
4,648,255 A	3/1987	Gartner	
D293,879 S	* 1/1988	Sundberg et al. ....	D8/343

D302,103 S	7/1989	Halsted et al.	
4,953,374 A	9/1990	Wiebe	
4,961,328 A	10/1990	Mundhenke	
5,040,393 A	8/1991	Rossebo	
5,216,910 A	6/1993	Lin	
5,295,279 A	3/1994	Cooper	
D349,037 S	7/1994	Carsello	
D373,523 S	9/1996	Carsello	
D411,732 S	6/1999	Chamberlain	
6,079,240 A	6/2000	Shvarts	
D452,811 S	* 1/2002	Shedd et al. ....	D8/344

\* cited by examiner

*Primary Examiner*—Brian N. Vinson

(74) *Attorney, Agent, or Firm*—Richard J. Veltman; John D. Del Ponti

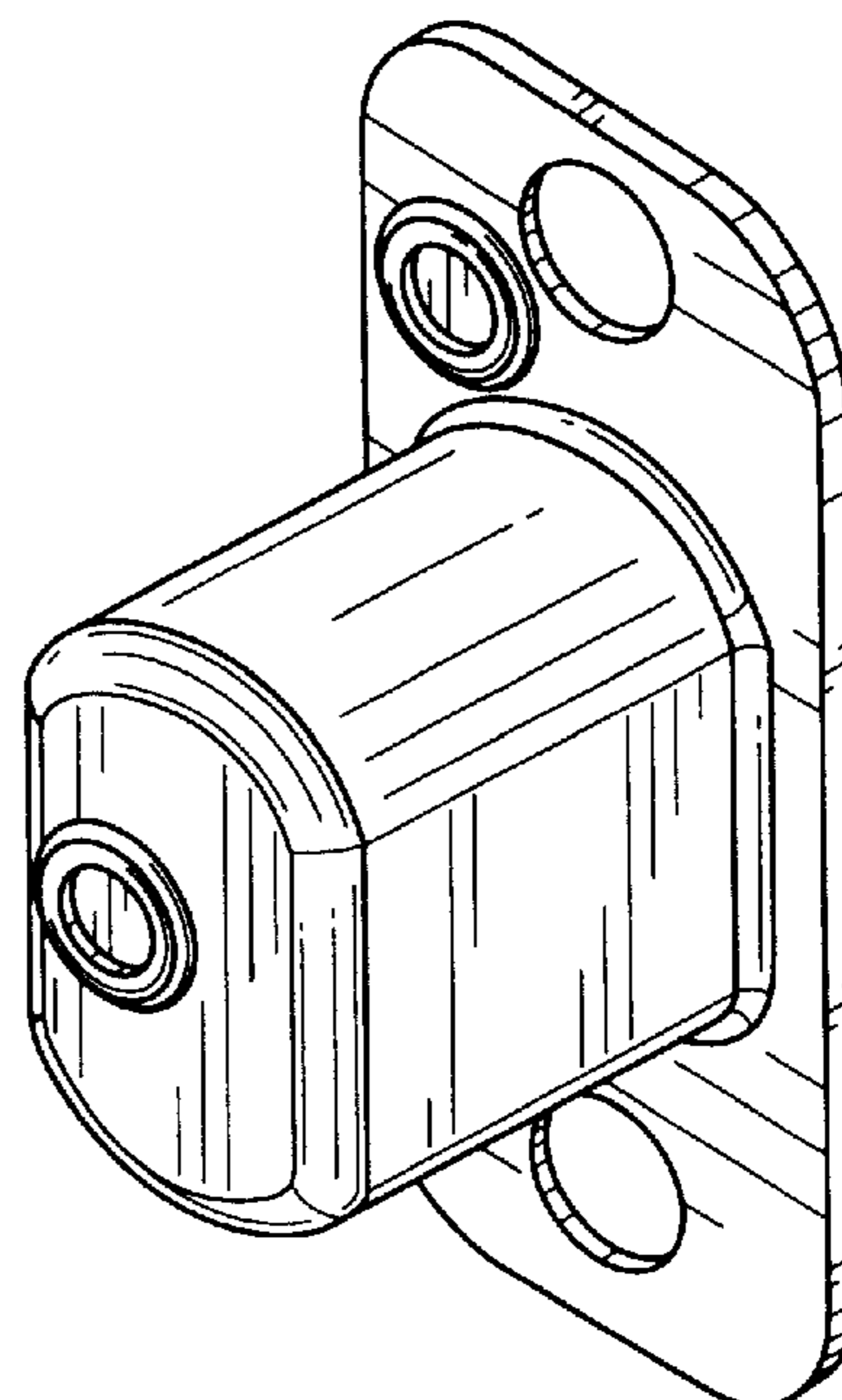
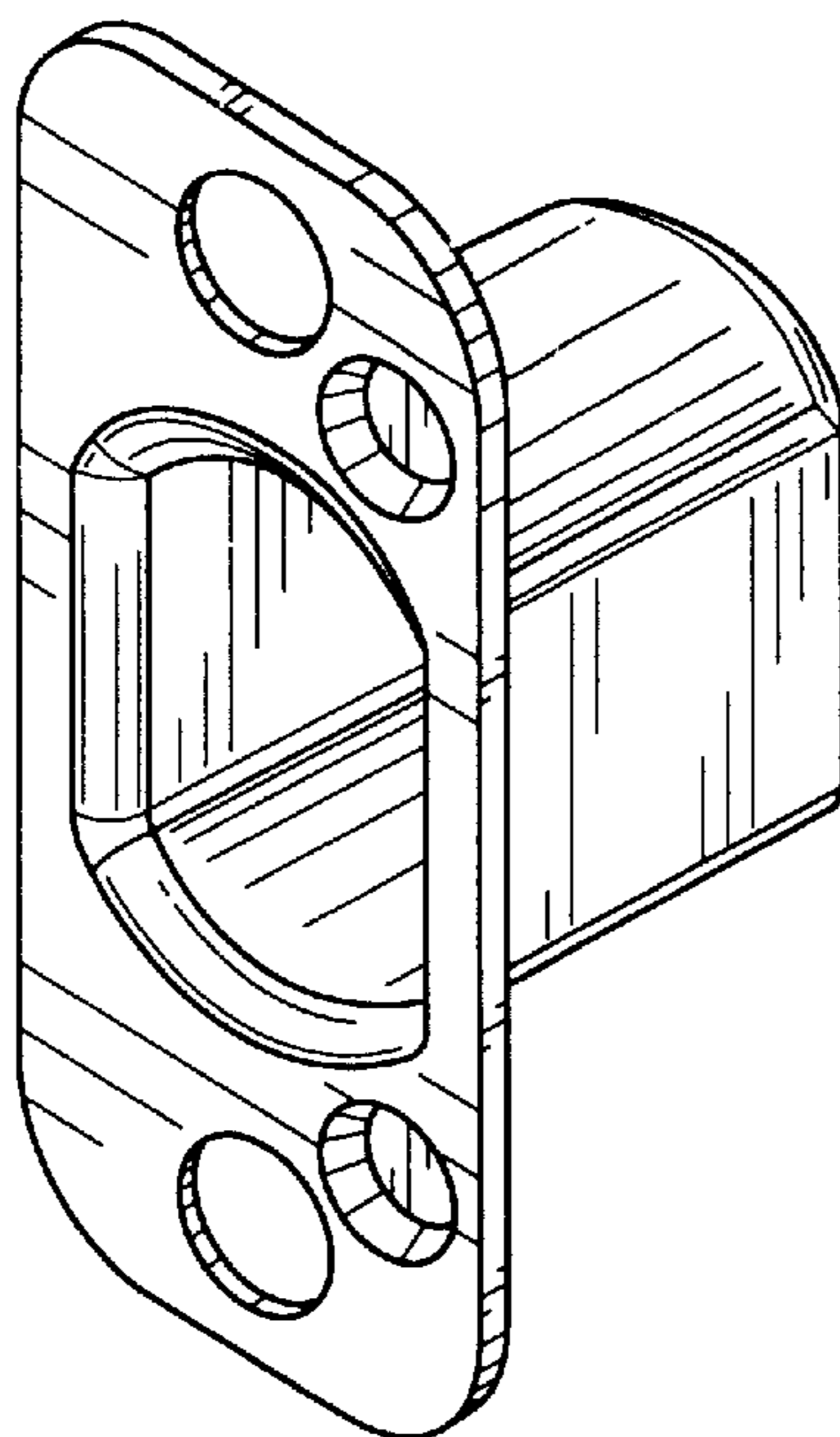
(57) **CLAIM**

The ornamental design for a strike box, as shown and described.

**DESCRIPTION**

FIG. 1 is a front perspective view of the new design for a strike box;  
 FIG. 2 is a rear perspective view of the new design for a strike box;  
 FIG. 3 front elevational view of the new design for a strike box;  
 FIG. 4 is a top plan view of the new design for a strike box, the bottom plan view being a mirror image;  
 FIG. 5 is a rear elevational view of the new design for a strike box; and,  
 FIG. 6 is a left side elevational view of the new design for a strike box, the right side elevational view being a mirror image.

**1 Claim, 3 Drawing Sheets**



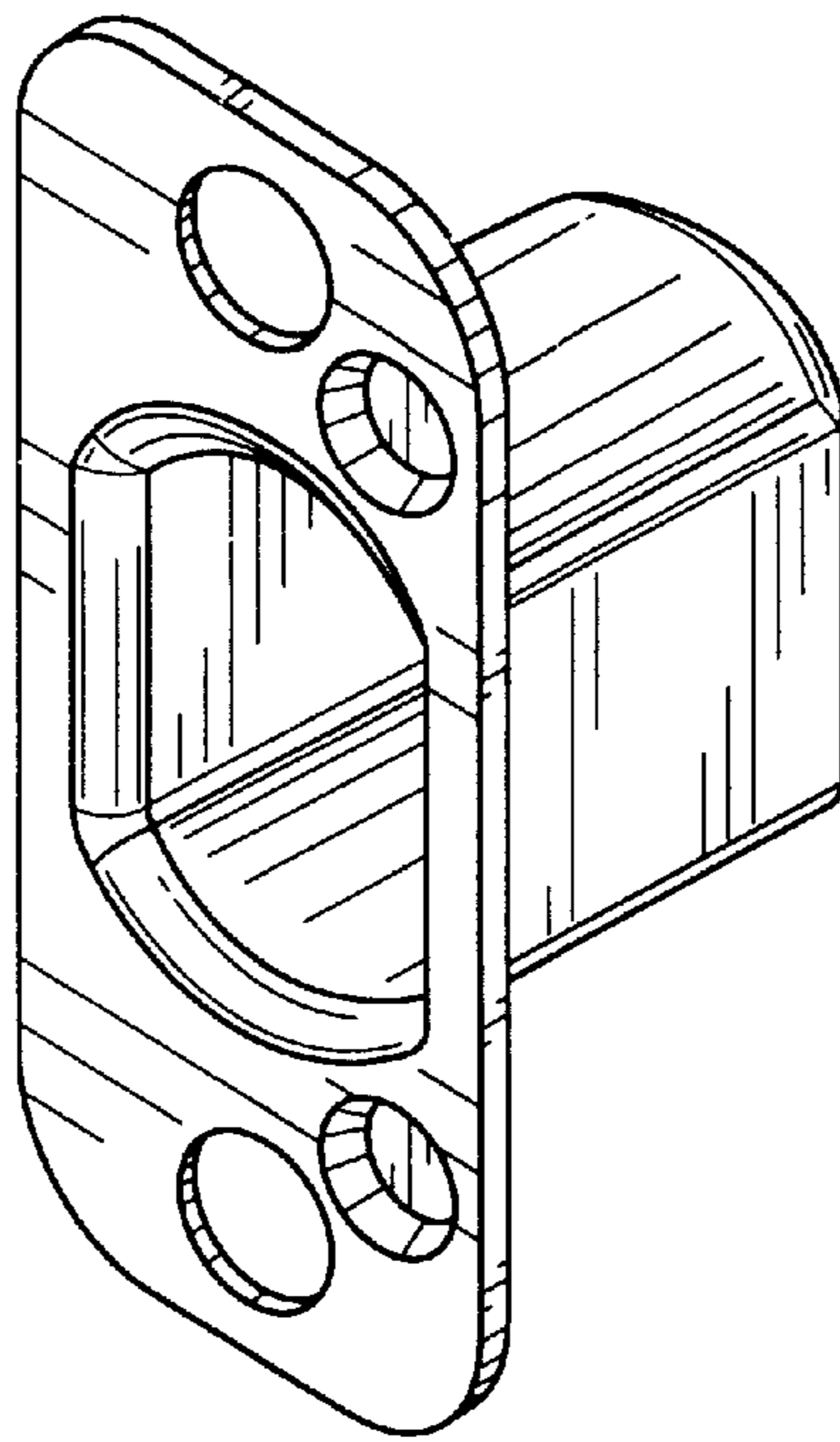


FIG. 1

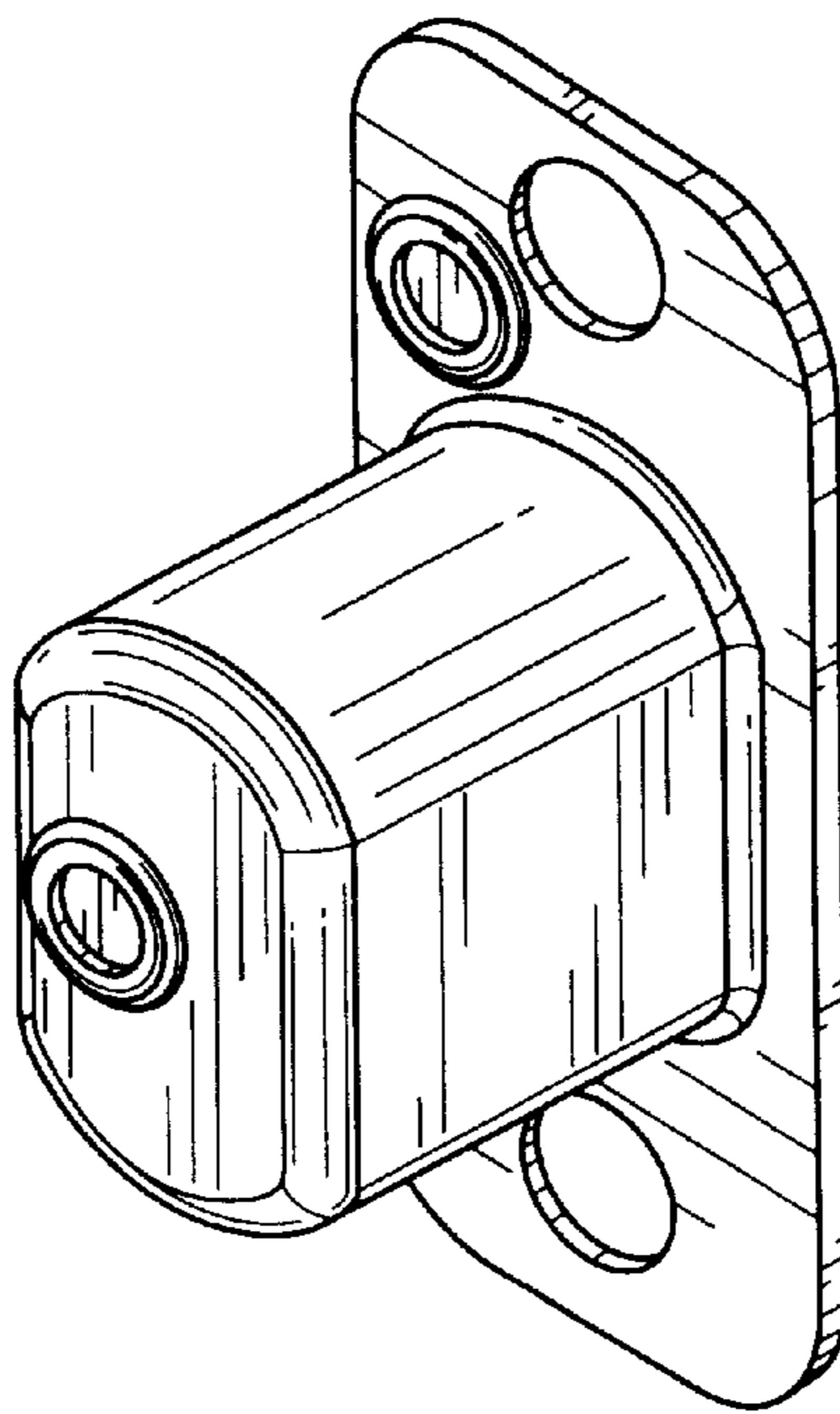


FIG. 2

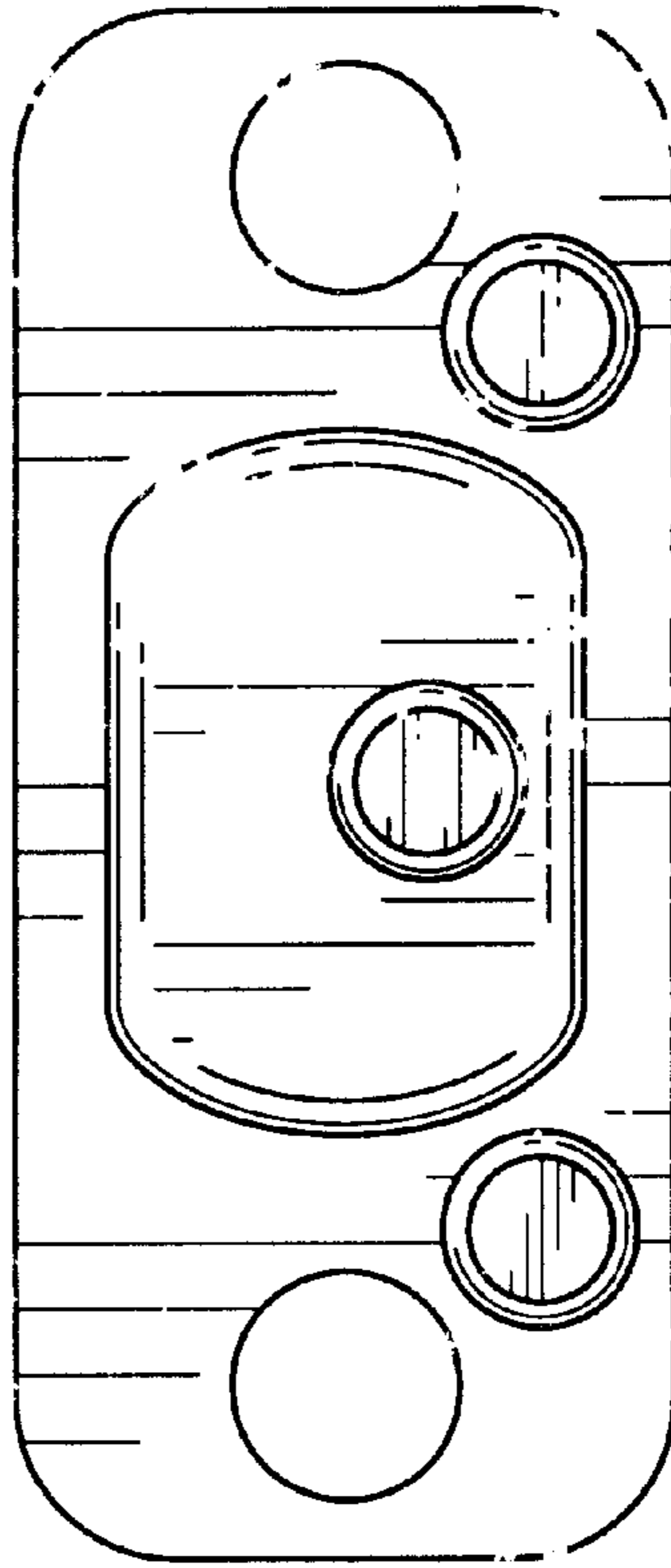


FIG. 3

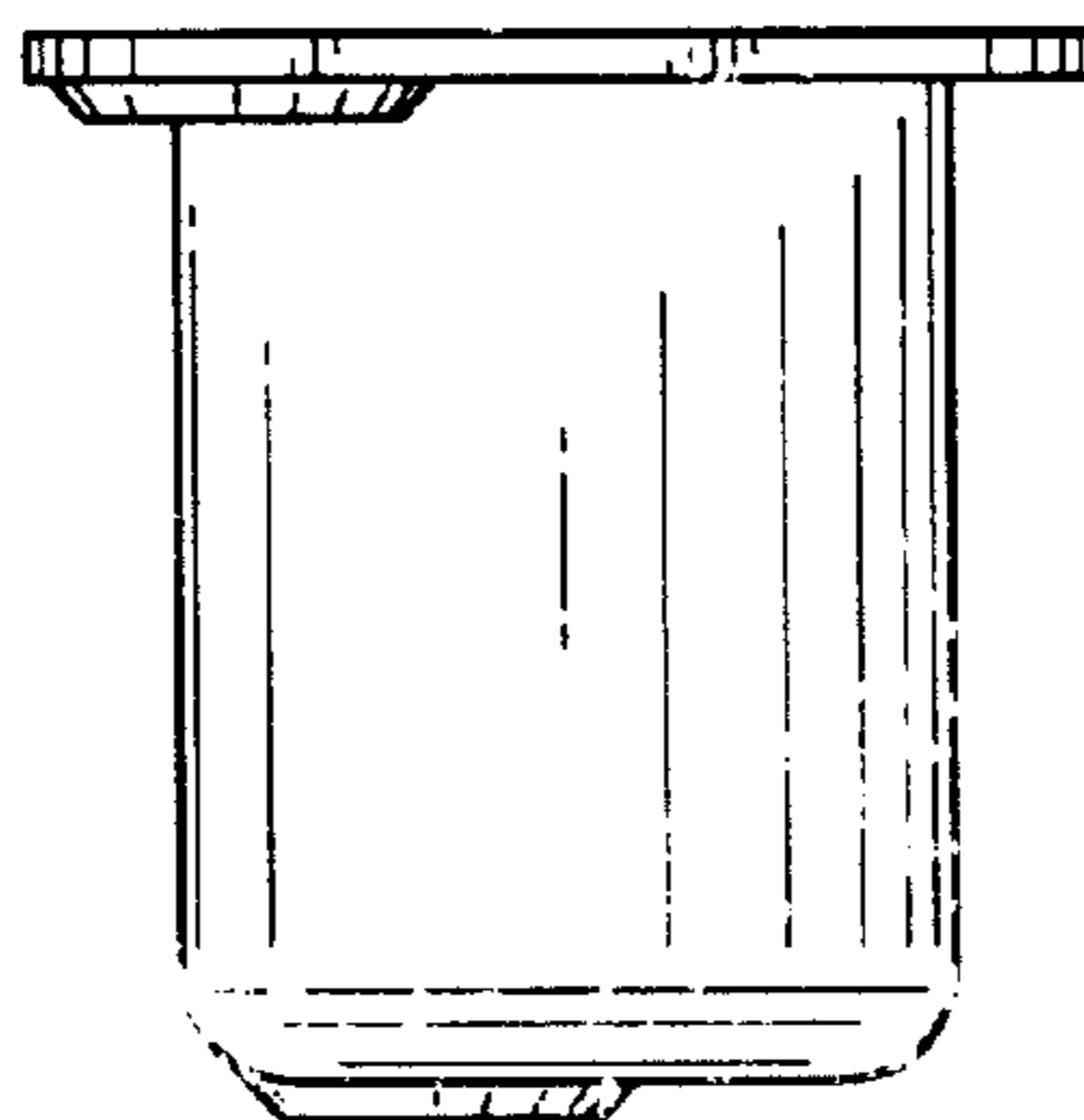


FIG. 4

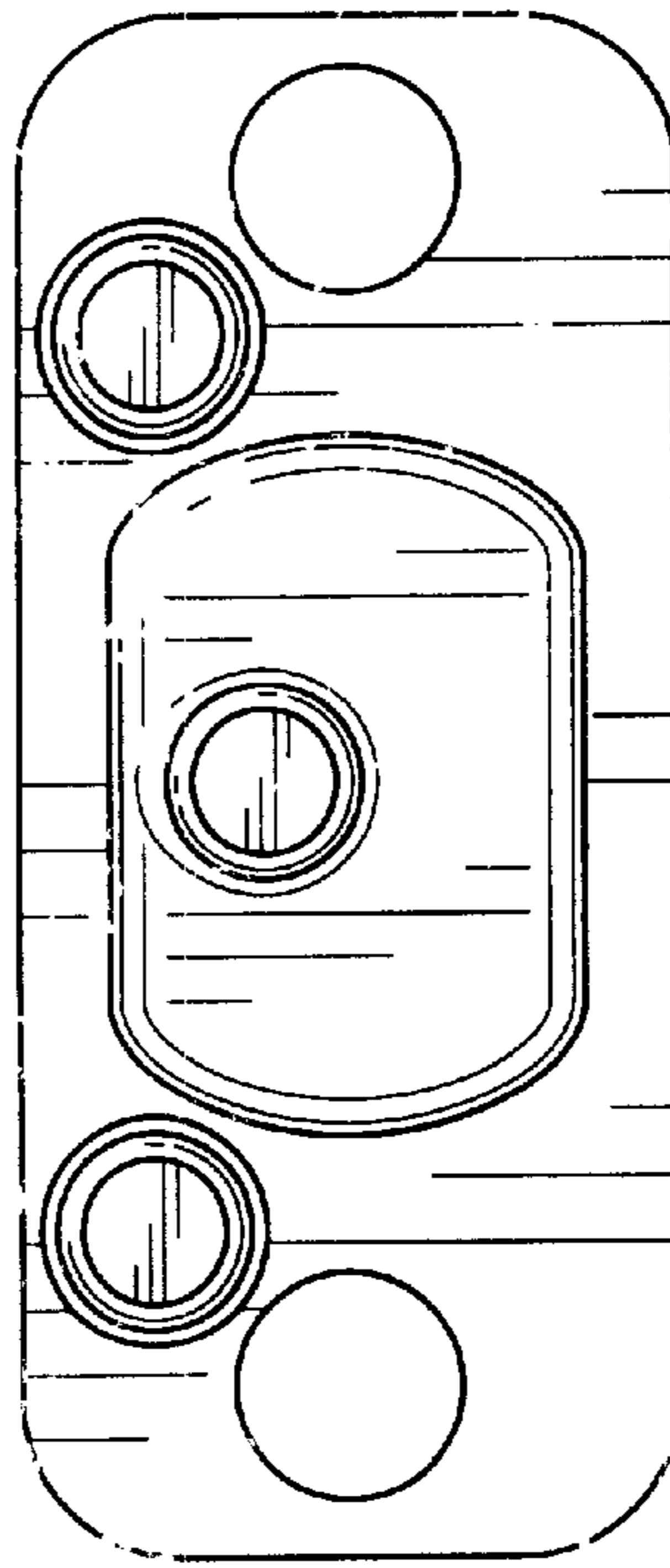


FIG. 5

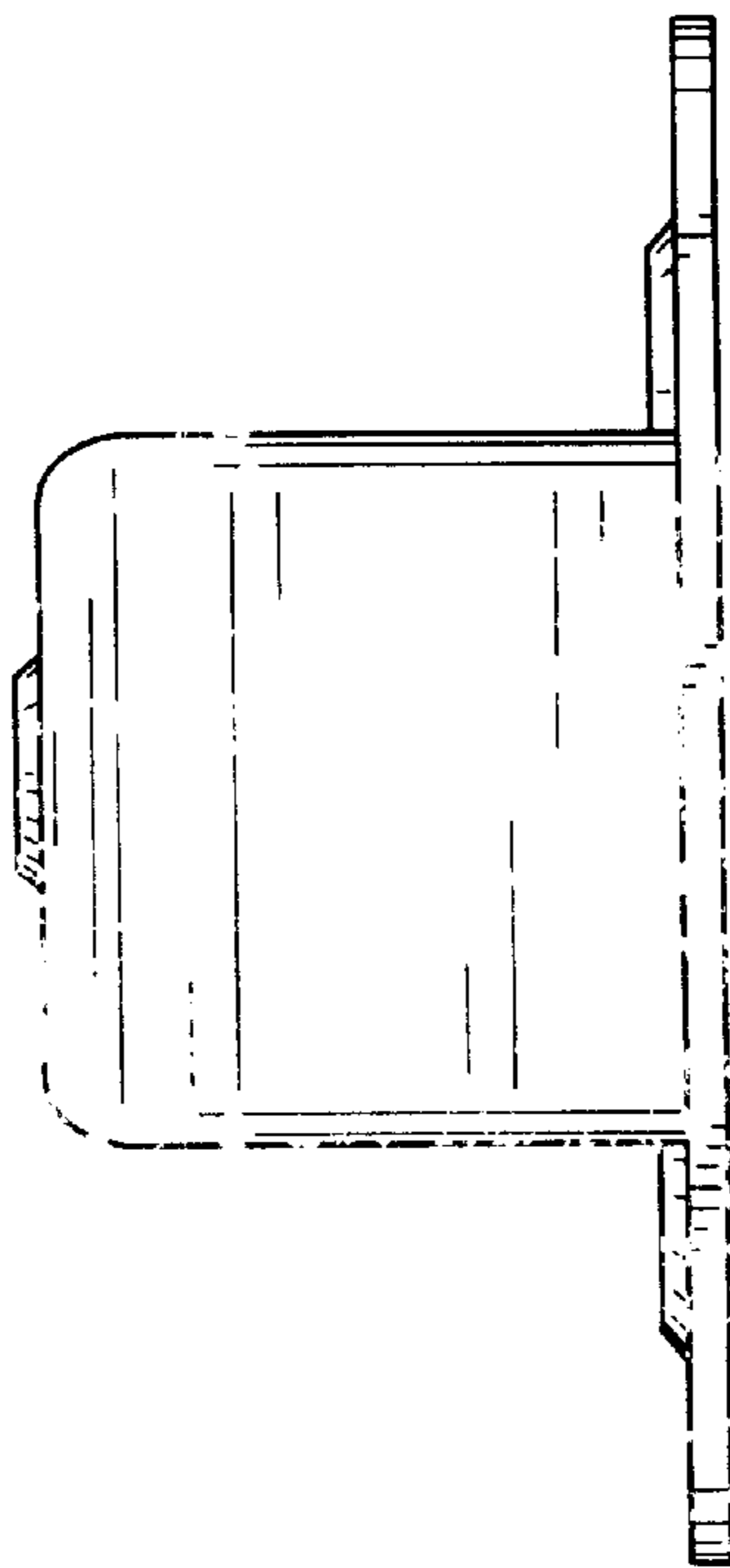


FIG. 6