



US00D461699S

(12) **United States Design Patent** (10) **Patent No.:** **US D461,699 S**
Lavikainen et al. (45) **Date of Patent:** **** Aug. 20, 2002**

(54) **PADLOCK**

D353,531 S 12/1994 Kähönen

(75) Inventors: **Raimo Juhani Lavikainen**, Lehmo;
Hanna Porvari, Espoo; **Hannu Olavi Kähönen**, Helsinki, all of (FI)

* cited by examiner

Primary Examiner—Jennifer Rivard
(74) *Attorney, Agent, or Firm*—Smith-Hill and Bedell

(73) Assignee: **Abloy Oy**, Joensuu (FI)

(**) Term: **14 Years**

(57) **CLAIM**

The ornamental design for a padlock, as shown and described.

(21) Appl. No.: **29/135,463**

(22) Filed: **Jan. 11, 2001**

DESCRIPTION

(30) **Foreign Application Priority Data**

Jul. 12, 2000 (FI) M-20000492

FIG. 1 is a perspective view of a padlock showing our new design,

(51) **LOC (7) Cl.** **08-07**

FIG. 2 is a front elevation thereof, the rear elevation being a mirror image of the front elevation,

(52) **U.S. Cl.** **D8/334**

FIG. 3 is a top plan view thereof,

(58) **Field of Search** 70/20, 31, 35,
70/24-29, 41-47; D8/333-335

FIG. 4 is a bottom plan view thereof; and,

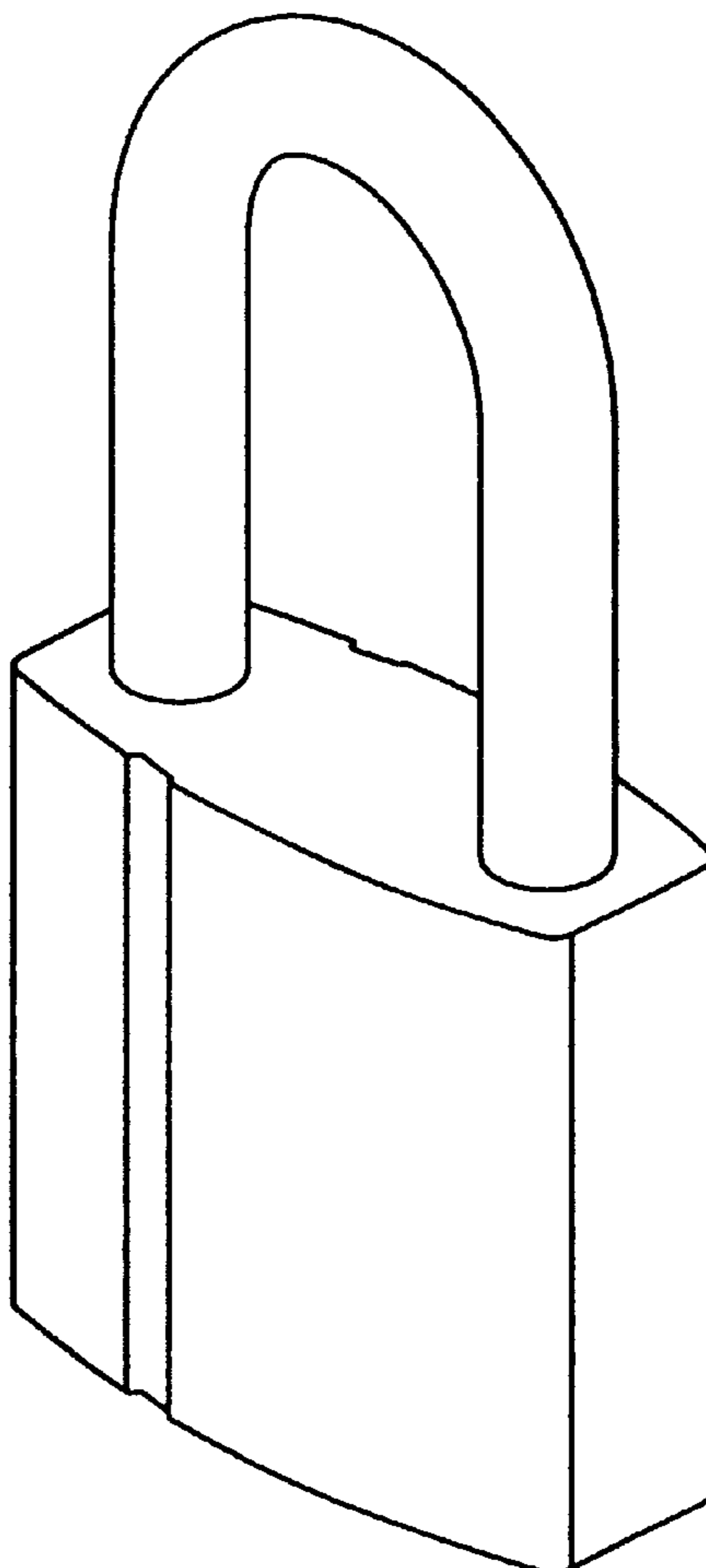
FIG. 5 is a right side elevation thereof.

(56) **References Cited**

U.S. PATENT DOCUMENTS

D240,590 S * 7/1976 Meisner D8/334

1 Claim, 2 Drawing Sheets



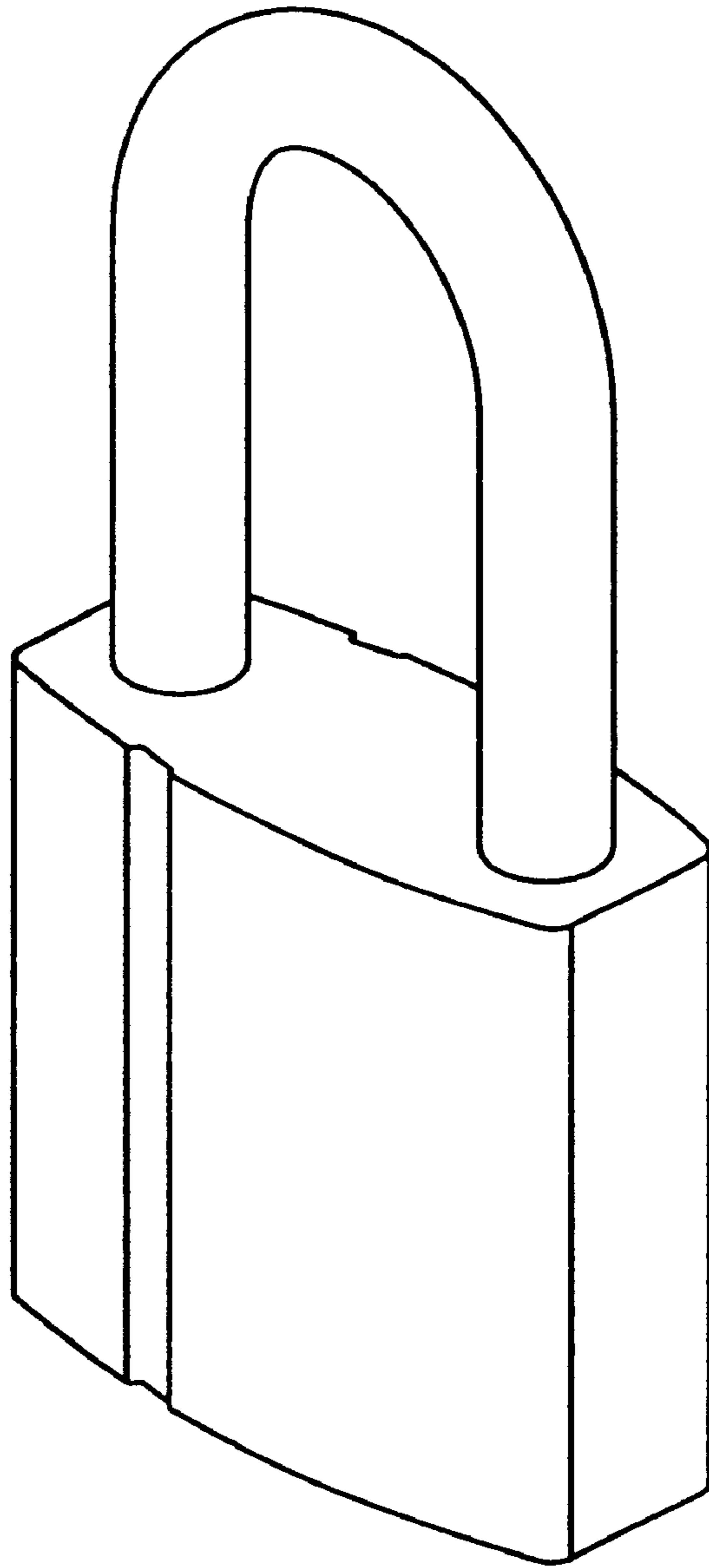


FIG. 1

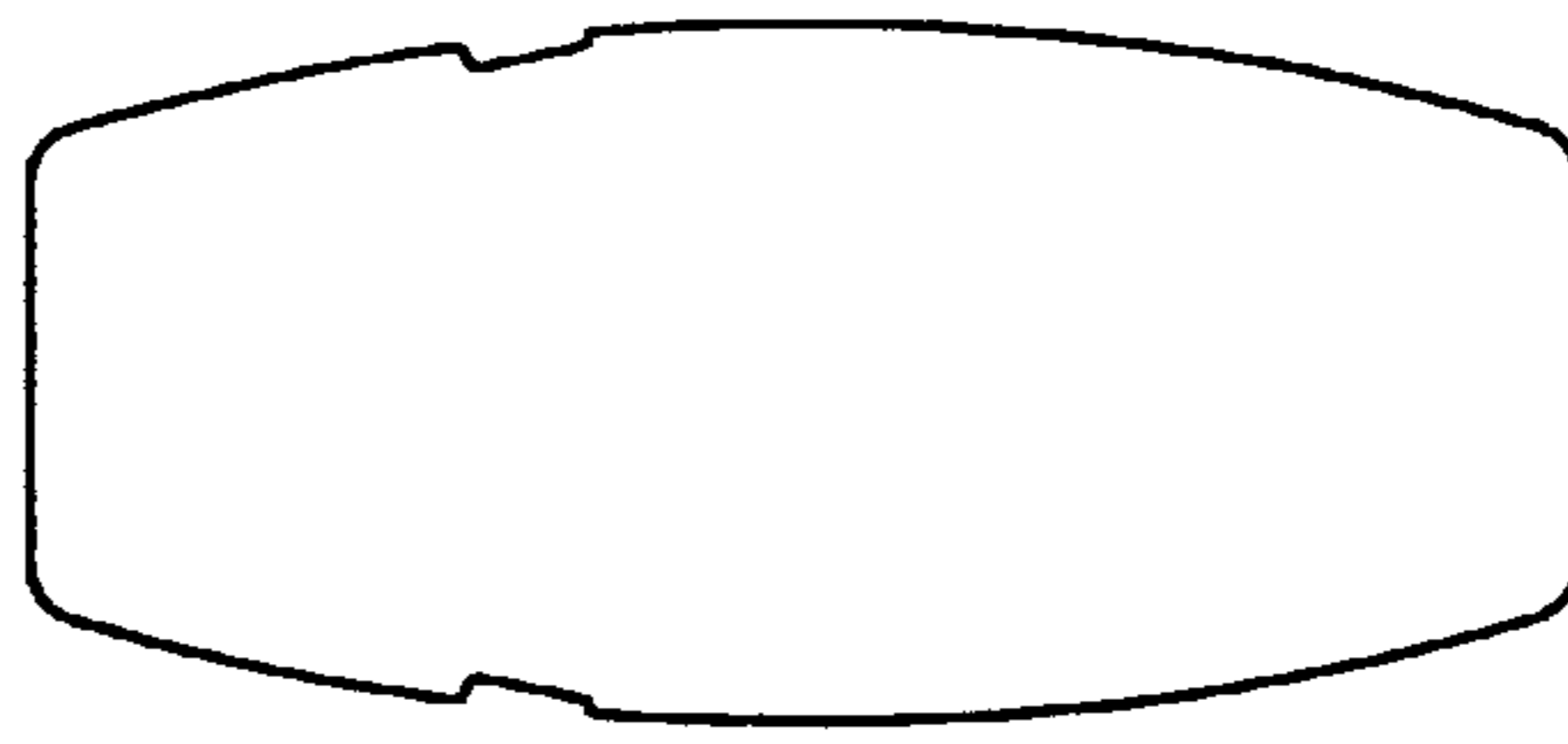


FIG. 4

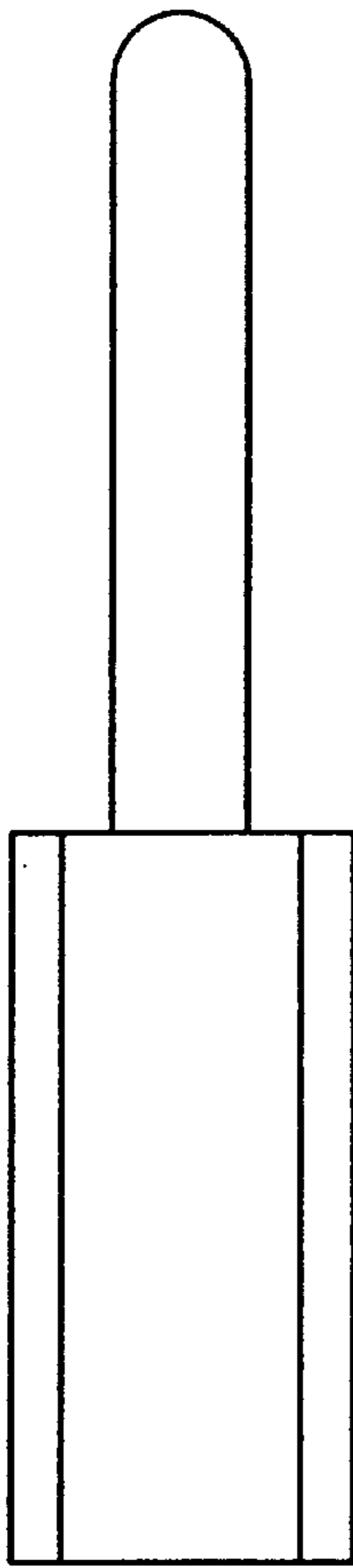


FIG. 5

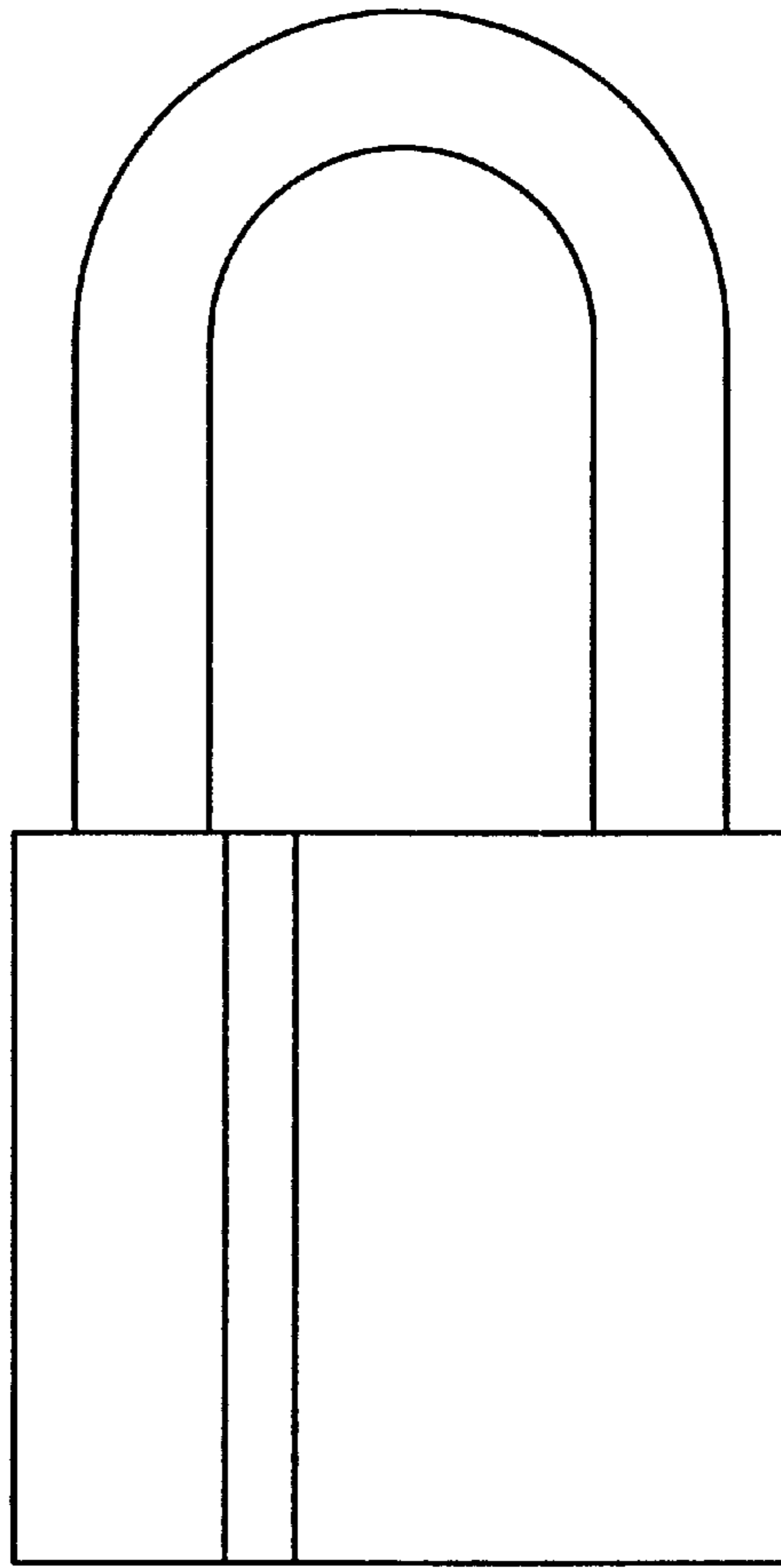


FIG. 2

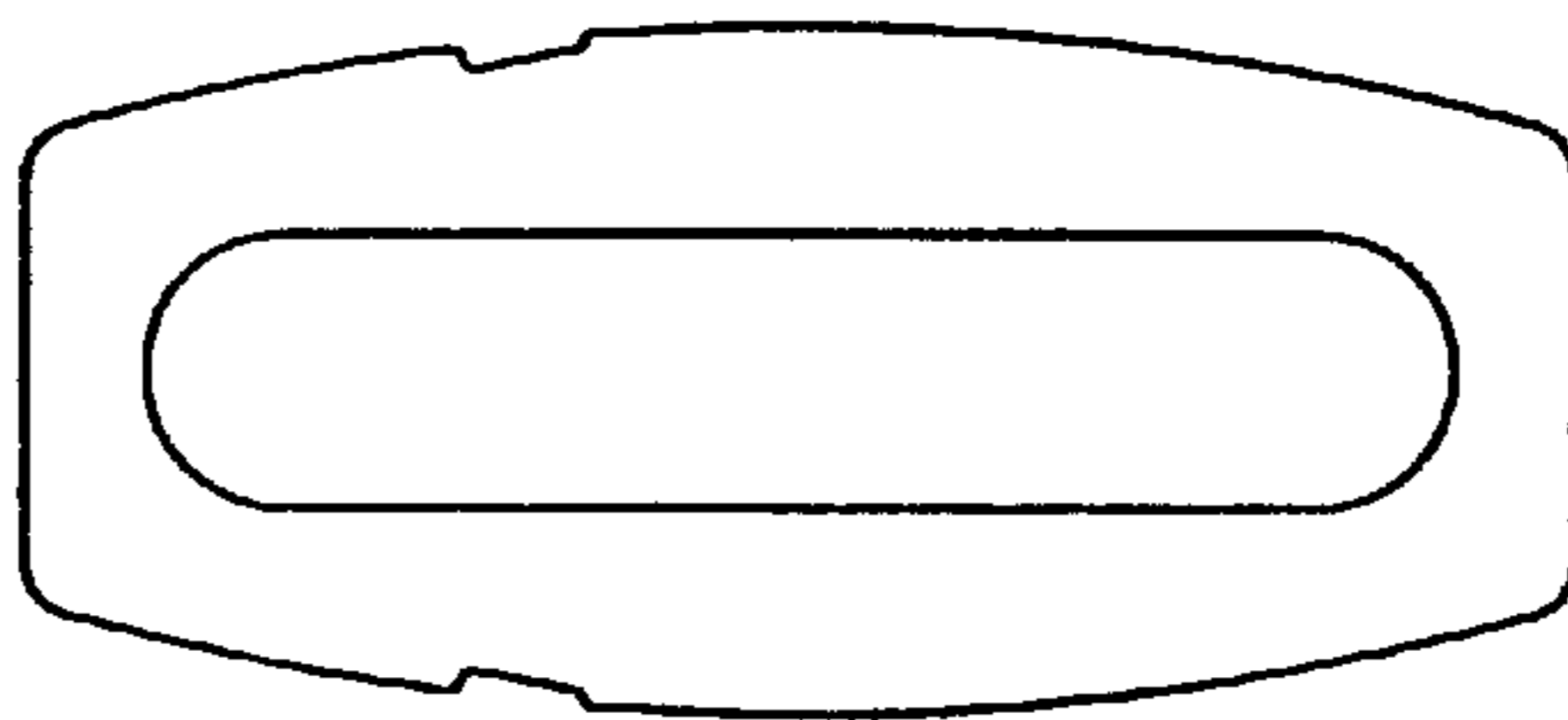


FIG. 3