



US00D461697S

(12) **United States Design Patent**
Chunn et al.

(10) **Patent No.:** **US D461,697 S**

(45) **Date of Patent:** **** Aug. 20, 2002**

(54) **KEYLESS DRILL CHUCK**

(75) Inventors: **Daniel A. Chunn; Meily Siu Mei Chan; Felix Hei Shun Leung**, all of Hong Kong (CN)

(73) Assignee: **TechTronic Co., LTD**, Hong Kong (CN)

(**) Term: **14 Years**

(21) Appl. No.: **29/150,469**

(22) Filed: **Nov. 5, 2001**

(51) **LOC (7) Cl.** **08-05**

(52) **U.S. Cl.** **D8/70; D15/140**

(58) **Field of Search** D8/70, 68, 69; D15/140; 279/60, 61, 62, 63, 64, 157, 901, 902, 66, 68; 408/56, 240

(56) **References Cited**

U.S. PATENT DOCUMENTS

- D366,052 S * 1/1996 Barton et al. D15/140
- 5,765,839 A * 6/1998 Rohm 279/60
- D402,675 S * 12/1998 Long D8/70
- D416,461 S * 11/1999 Long D8/70
- 6,007,071 A * 12/1999 Middleton 279/62
- D421,615 S * 3/2000 Argo et al. D8/70

- D423,527 S * 4/2000 Sakamaki D8/70
- D426,760 S * 6/2000 Schultz D8/68
- D427,216 S * 6/2000 Miles et al. D15/140
- D433,909 S * 11/2000 Long D8/70
- D434,629 S * 12/2000 Long D8/70
- D436,511 S * 1/2001 Hayakawa et al. D8/68

* cited by examiner

Primary Examiner—Doris V. Coles

Assistant Examiner—T. Chase Nelson

(74) *Attorney, Agent, or Firm*—John B. Hardaway, III; Nexsen Pruet Jacobs & Pollard, LLC

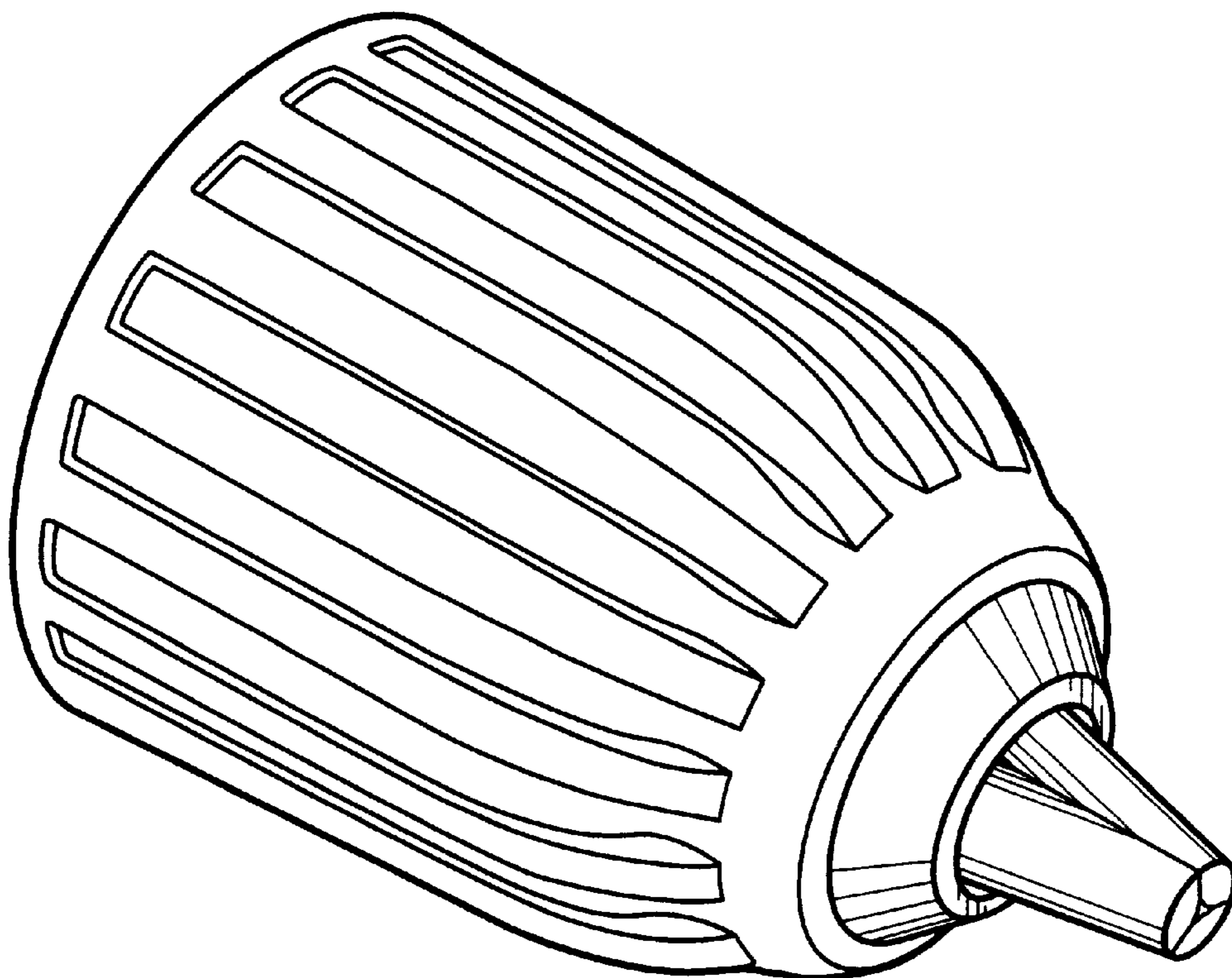
(57) **CLAIM**

The ornamental design for a keyless drill chuck, as shown and described.

DESCRIPTION

FIG. 1 is a front perspective view of the keyless drill chuck of the present invention;
 FIG. 2 is a rear perspective view;
 FIG. 3 is a side elevational view, the top and bottom views being identical and the rear side elevation view a mirror image thereof;
 FIG. 4 is a front end view; and,
 FIG. 5 is a rear end view.

1 Claim, 2 Drawing Sheets



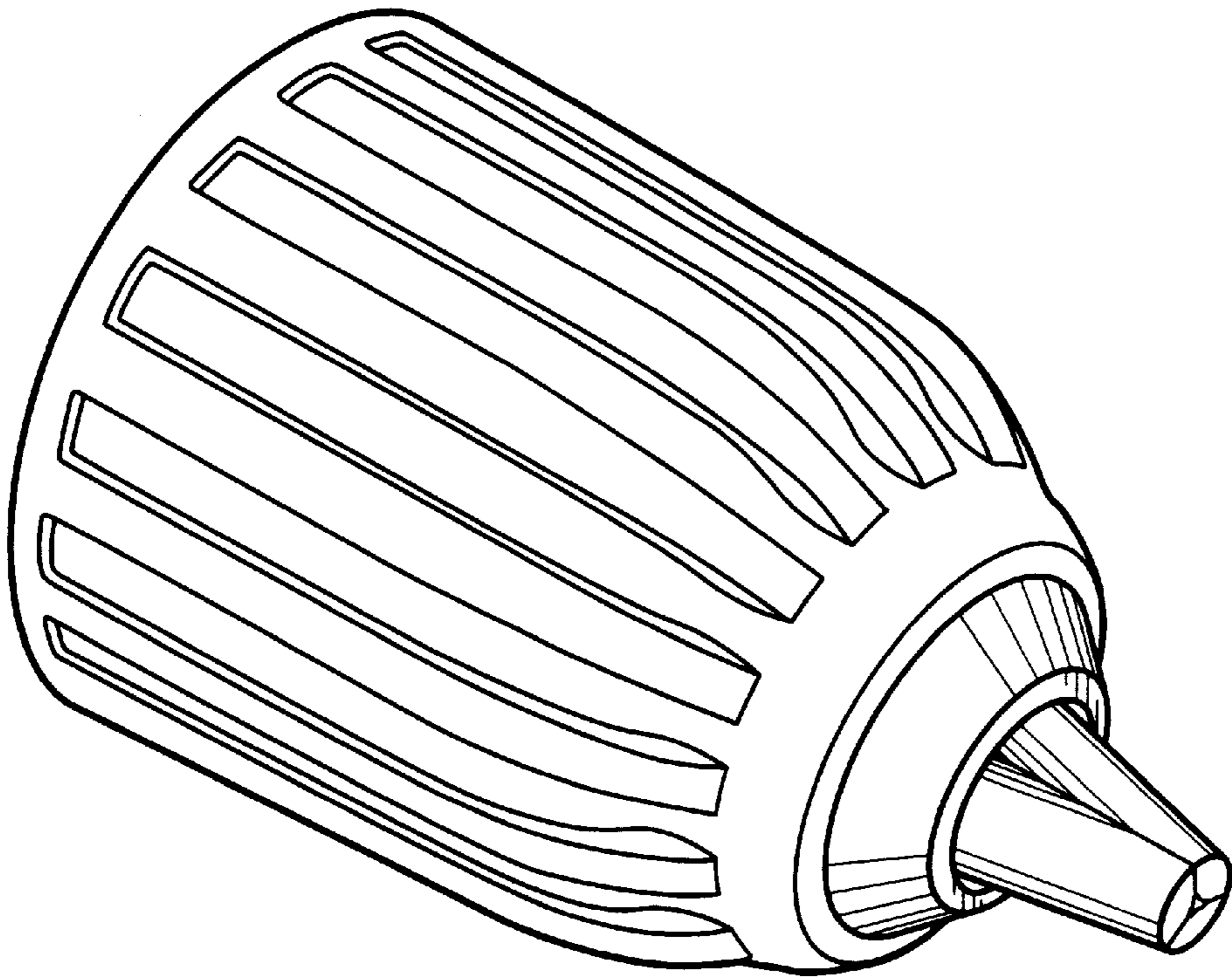


FIG. 1

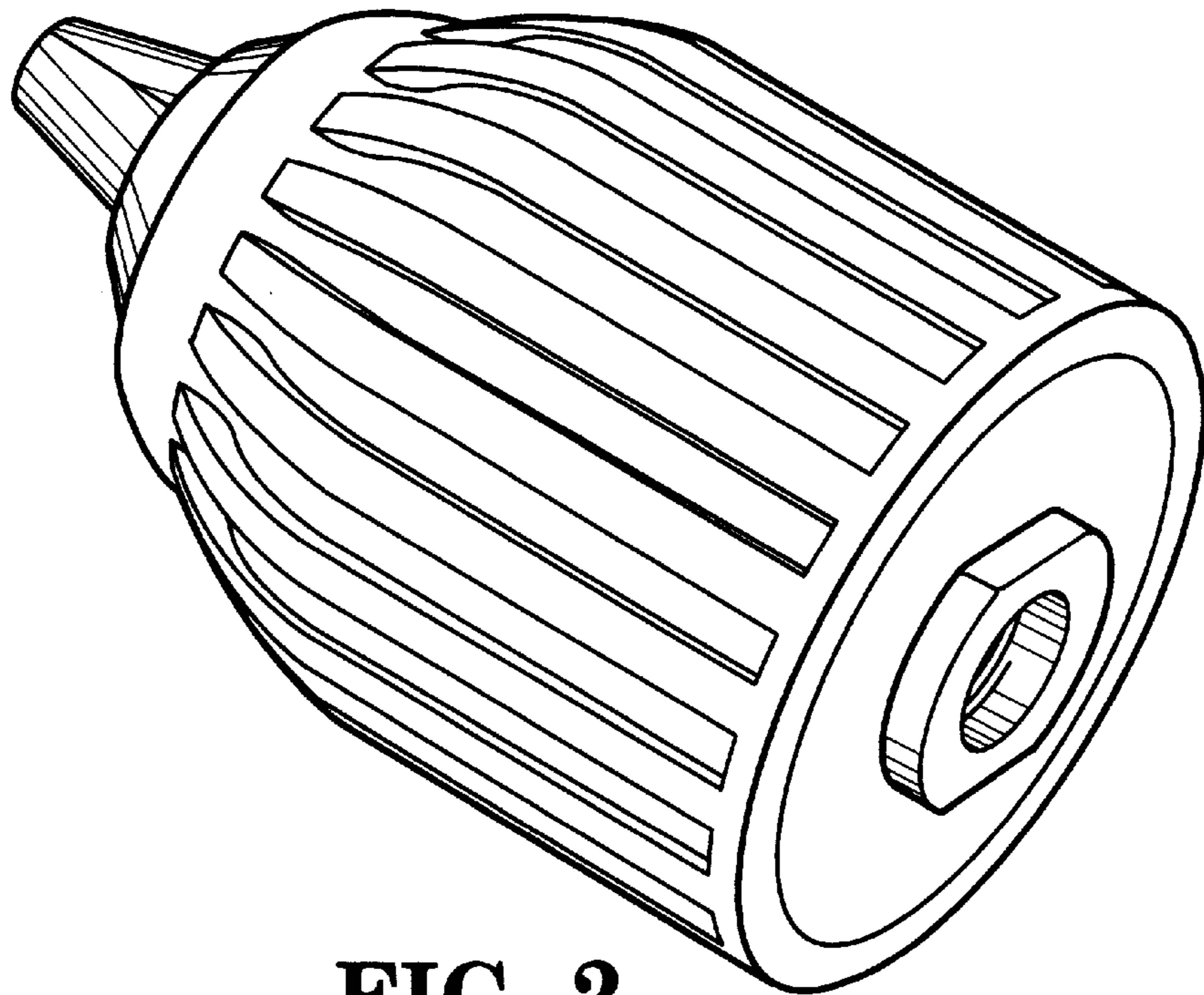


FIG. 2

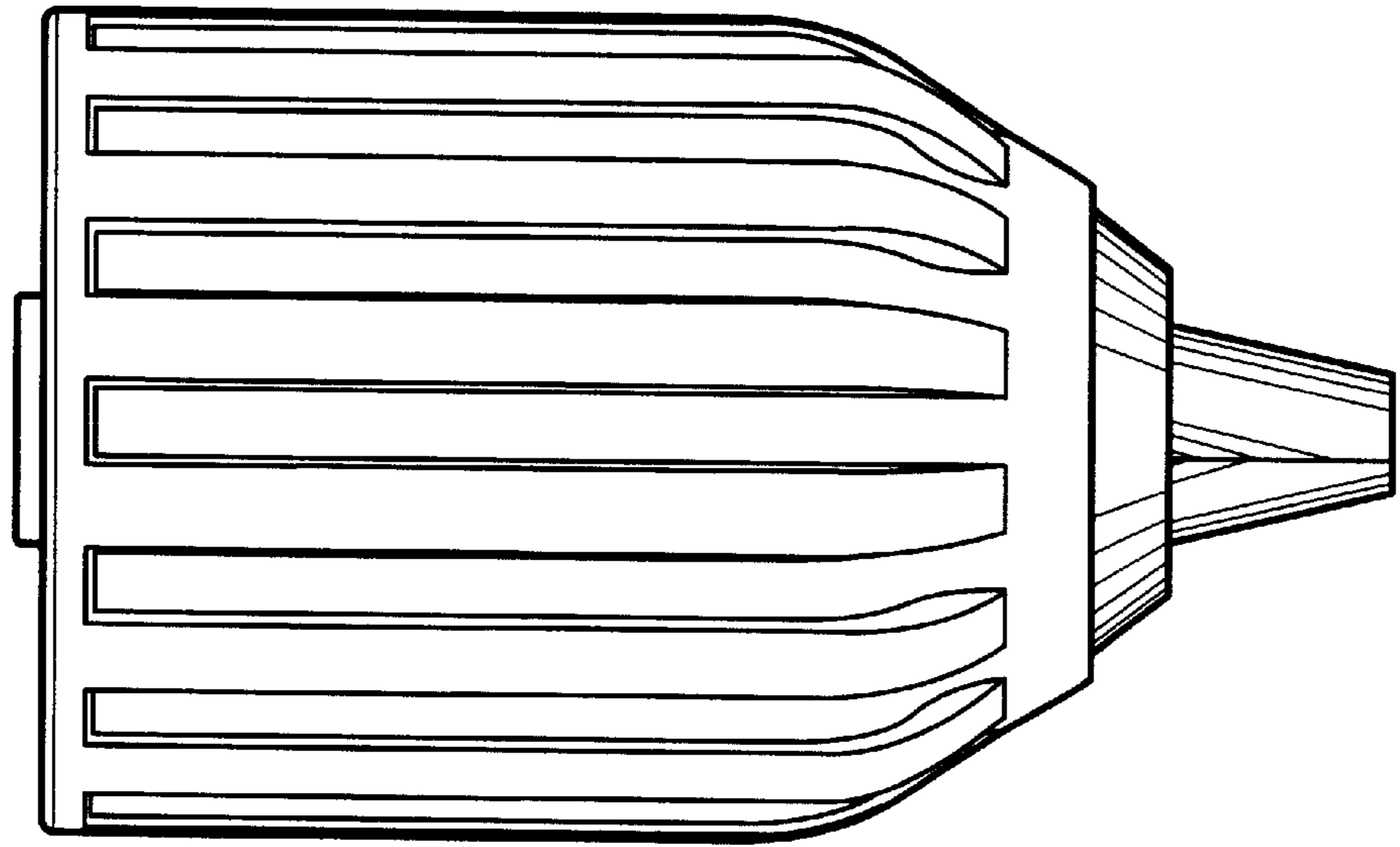


FIG. 3

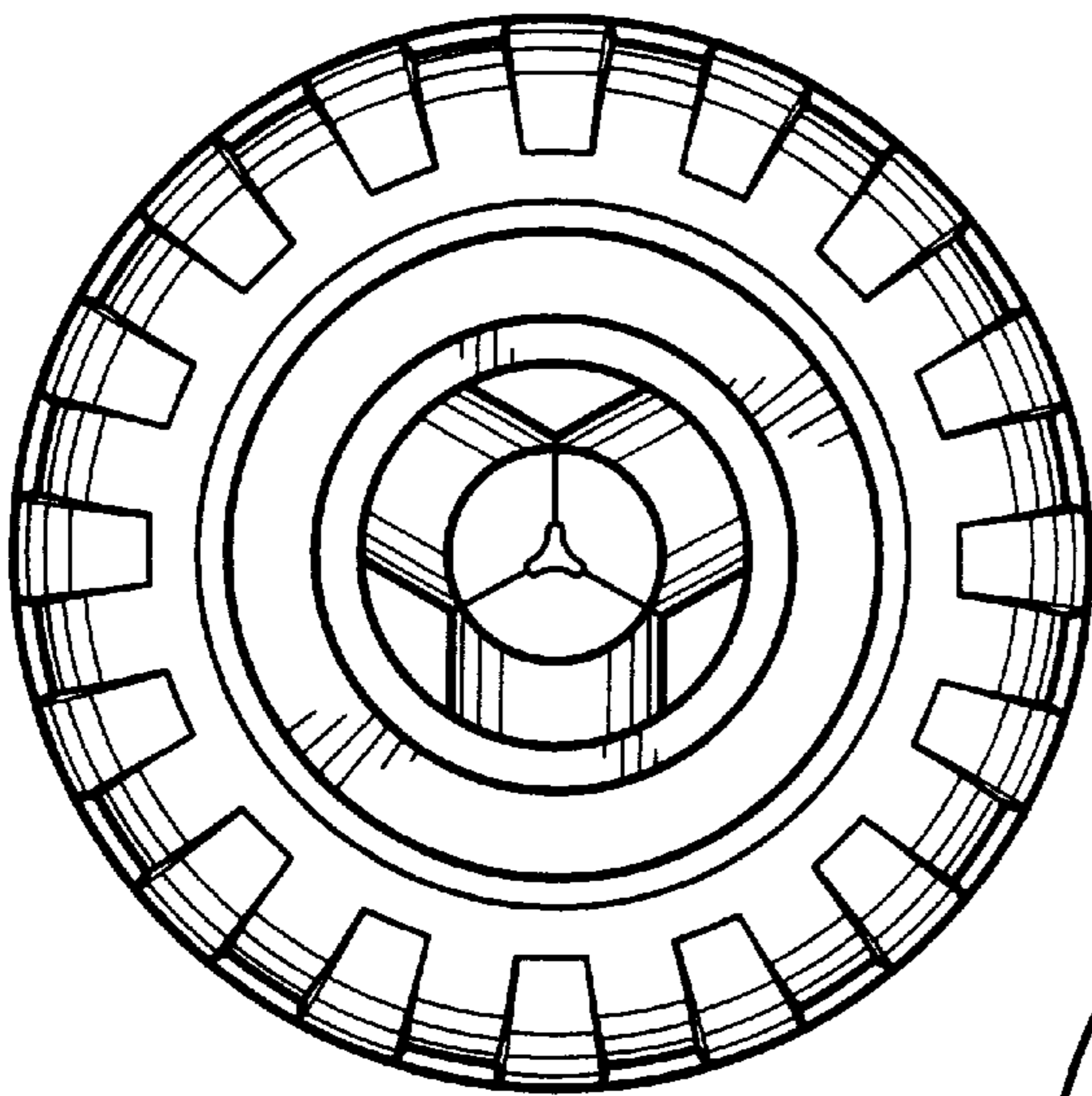


FIG. 4

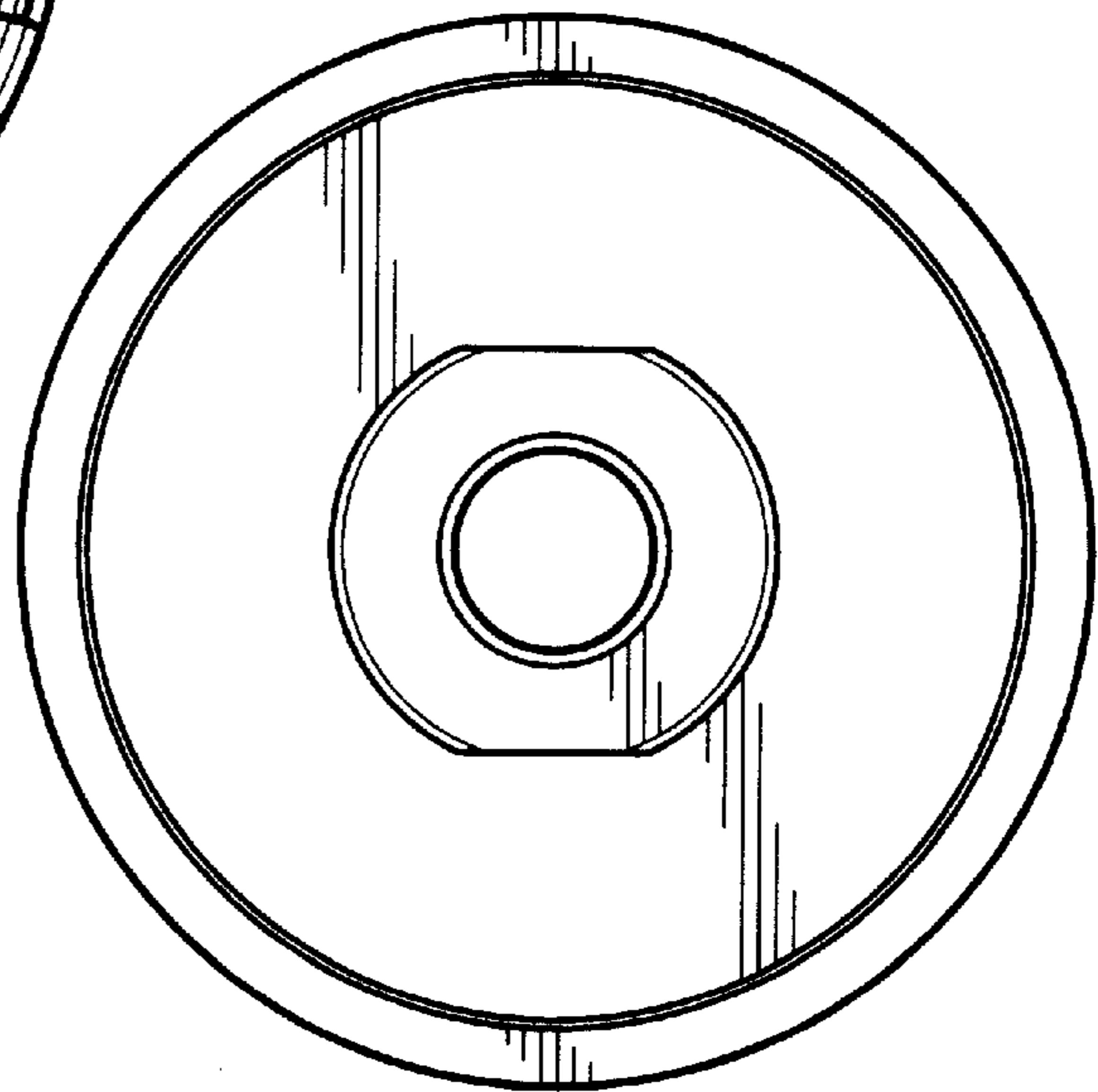


FIG. 5

UNITED STATES PATENT AND TRADEMARK OFFICE
CERTIFICATE OF CORRECTION

PATENT NO. : Des. 461,697 S
DATED : August 20, 2002
INVENTOR(S) : Daniel A. Chunn, Meily Siu Mei Chan and Felix Hei Shun Leugn

Page 1 of 1

It is certified that error appears in the above-identified patent and that said Letters Patent is hereby corrected as shown below:

Title page,

Item [73], Assignee name is to corrected as follows:

-- **Techtronic Industries Co., Ltd**, Hong Kong, China

Signed and Sealed this

Fourteenth Day of January, 2003

A handwritten signature in black ink, appearing to read "James E. Rogan", written over a horizontal line.

JAMES E. ROGAN
Director of the United States Patent and Trademark Office