



US00D461696S

(12) **United States Design Patent**
Chunn et al.

(10) **Patent No.:** **US D461,696 S**

(45) **Date of Patent:** **** Aug. 20, 2002**

(54) **KEYLESS DRILL CHUCK**

(75) Inventors: **Daniel A. Chunn; Meily Siu Mei Chan; Felix Hei Shun Leung; Benson Chun Kit Cheung**, all of Hong Kong (CN)

(73) Assignee: **TechTronic Industries Co., Ltd. (HK)**

(**) Term: **14 Years**

(21) Appl. No.: **29/150,467**

(22) Filed: **Nov. 5, 2001**

(51) **LOC (7) Cl.** **08-05**

(52) **U.S. Cl.** **D8/70; D15/140**

(58) **Field of Search** D8/70, 68, 69; D15/140; 279/60, 61, 62, 63, 64, 65, 66, 157, 901, 902; 408/56, 240

(56) **References Cited**

U.S. PATENT DOCUMENTS

D346,541 S	*	5/1994	Somers	D8/70
D356,932 S	*	4/1995	Owens et al	D8/70
D359,217 S	*	6/1995	Owens et al.	D8/70
D361,076 S	*	8/1995	Shadeck et al.	D15/140
D386,193 S	*	11/1997	Steadings	D8/70

D400,418 S	*	11/1998	Lui	D8/70
D404,988 S	*	2/1999	Long	D8/70
D423,315 S	*	4/2000	Robson	D8/70
D426,442 S	*	6/2000	Long	D8/70
6,102,411 A	*	8/2000	Wilson	279/62
6,186,516 B1	*	2/2001	Miles et al.	279/60

* cited by examiner

Primary Examiner—Doris V. Coles

Assistant Examiner—T. Chase Nelson

(74) *Attorney, Agent, or Firm*—John B. Hardaway, III; Nexsen Pruet Jacobs & Pollard, LLC

(57) **CLAIM**

The ornamental design for a keyless drill chuck, as shown and described.

DESCRIPTION

FIG. 1 is a front perspective view of the keyless drill chuck of the present invention;

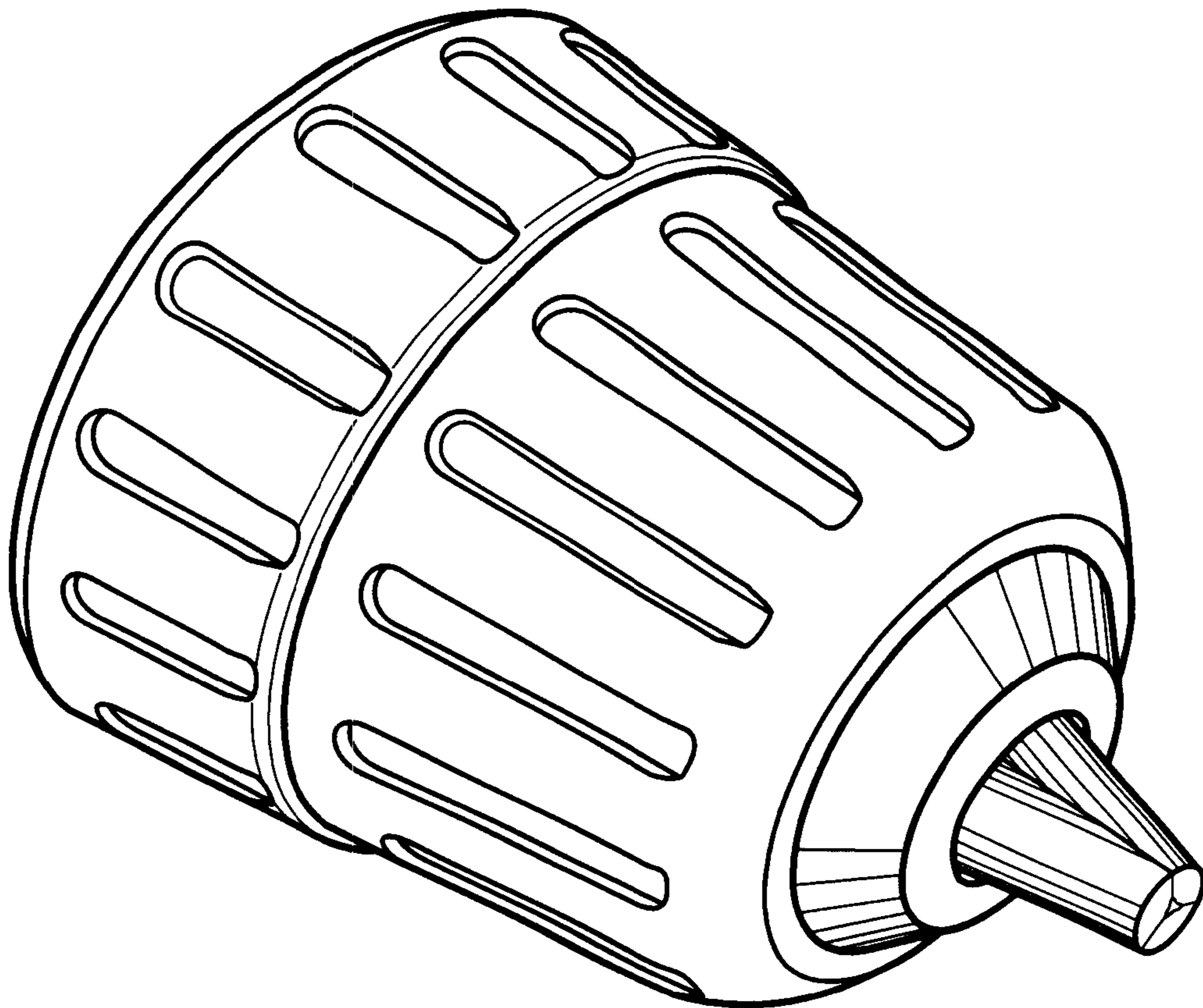
FIG. 2 is a rear perspective view;

FIG. 3 is a side elevational view, the top and bottom views being identical and the rear side elevation view a mirror image thereof;

FIG. 4 is a front end view; and,

FIG. 5 is a rear end view.

1 Claim, 2 Drawing Sheets



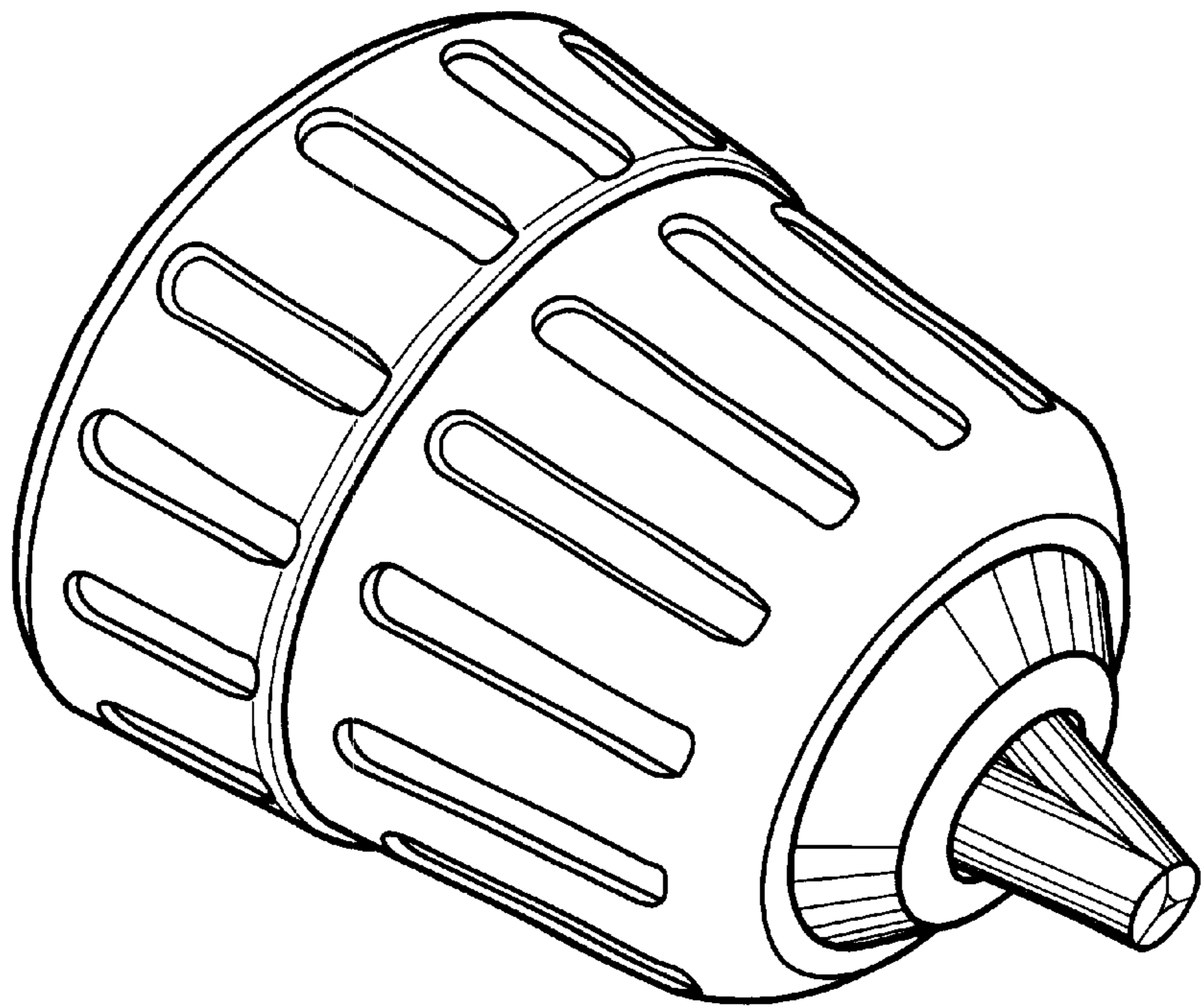


FIG. 1

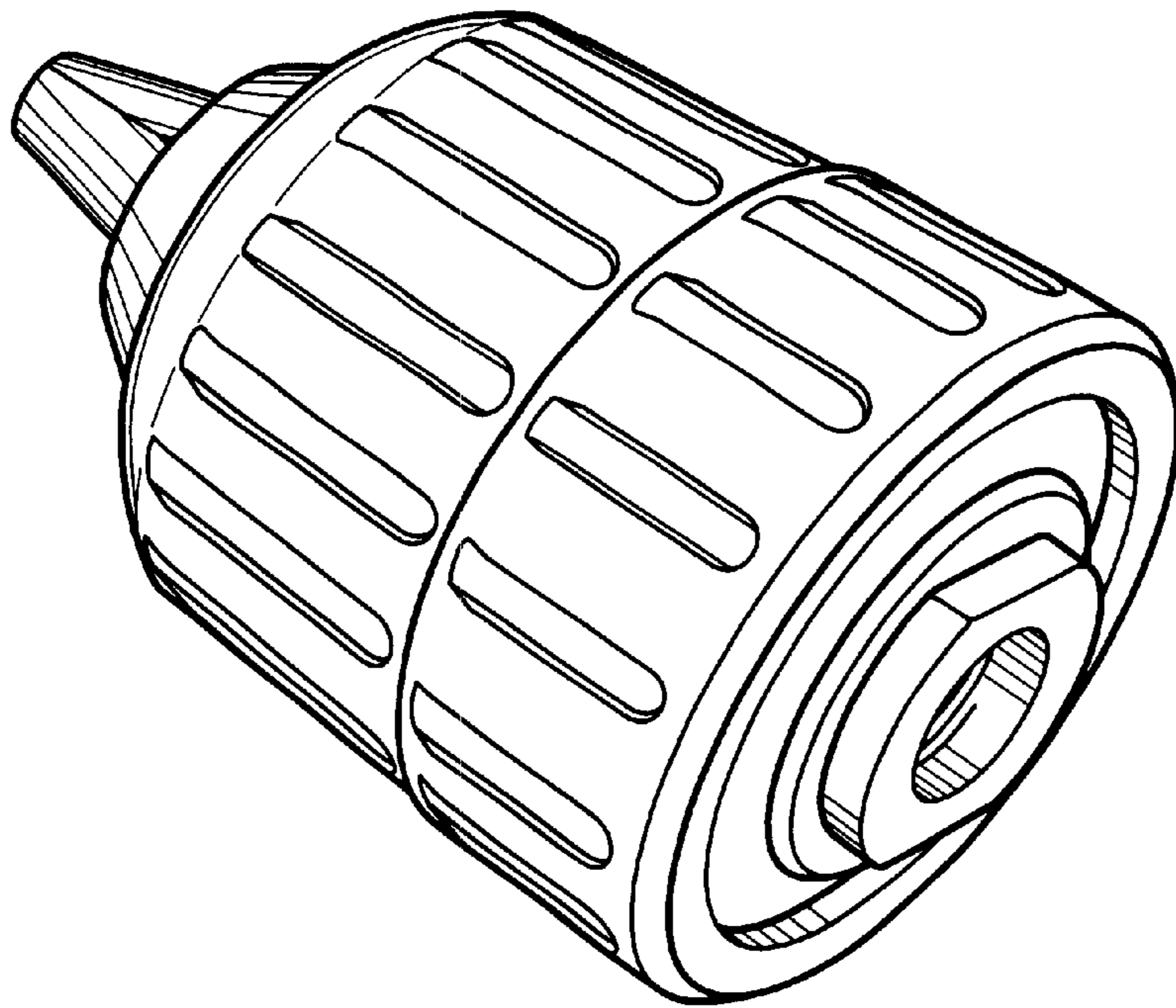


FIG. 2

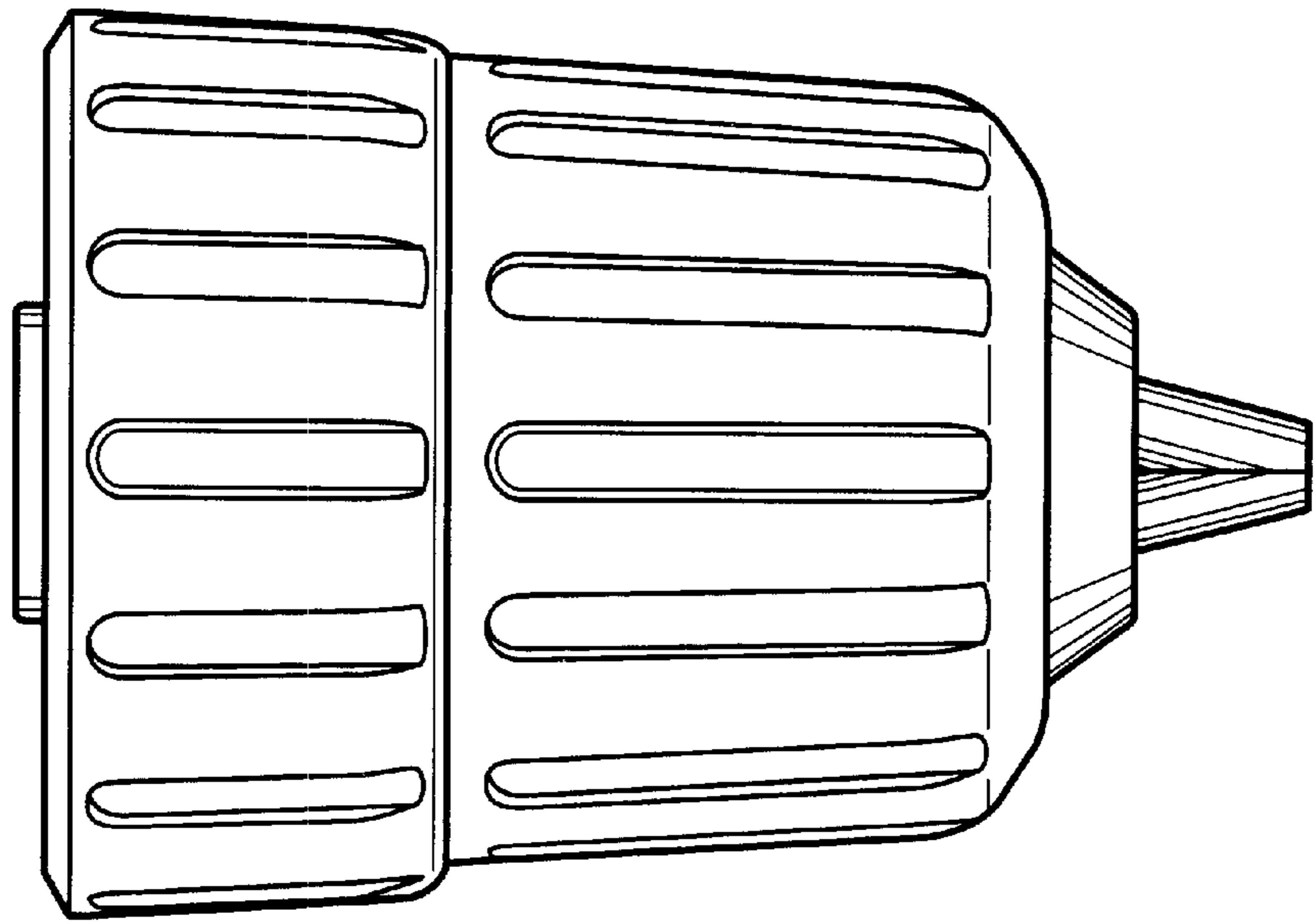


FIG. 3

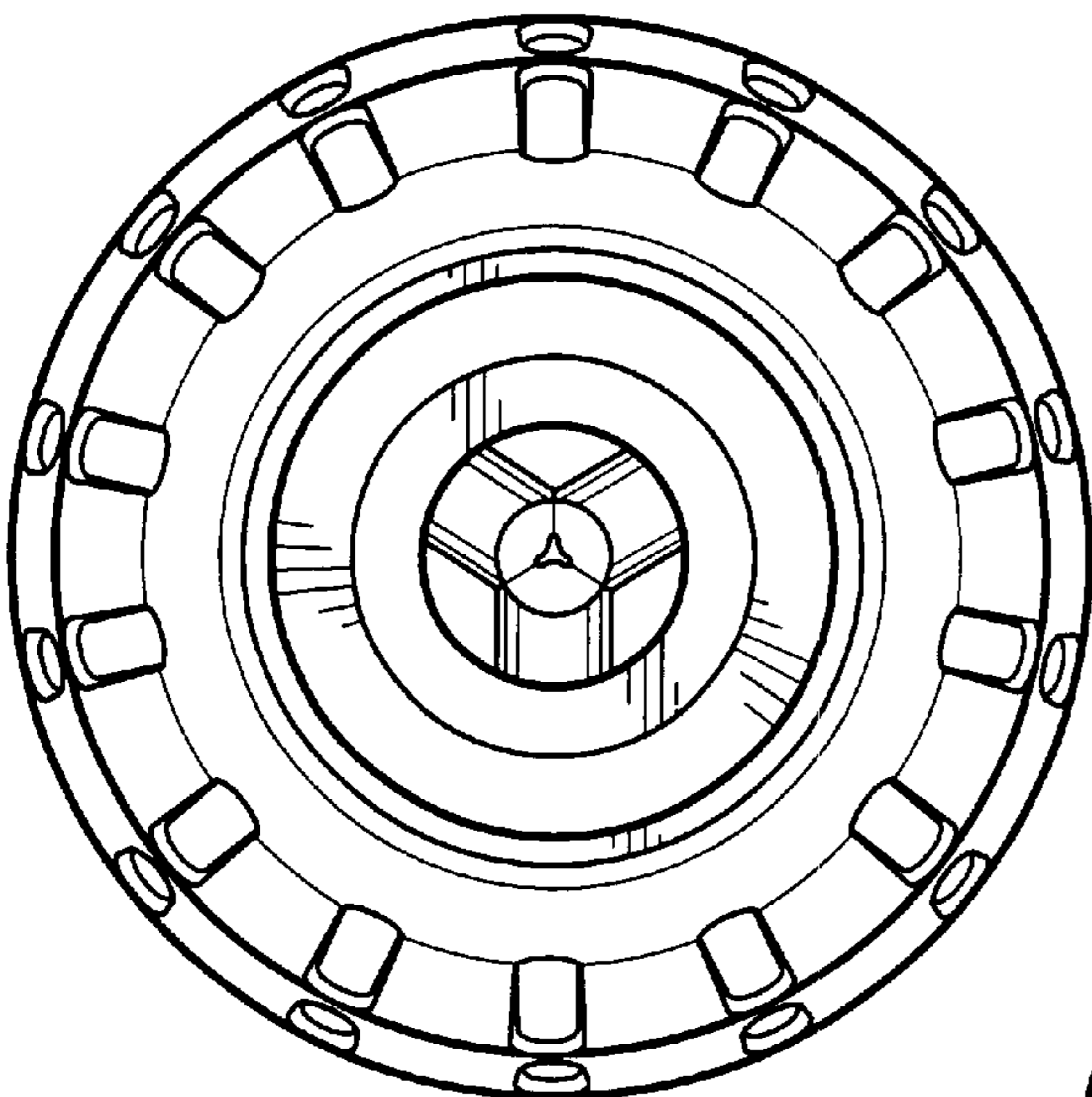


FIG. 4

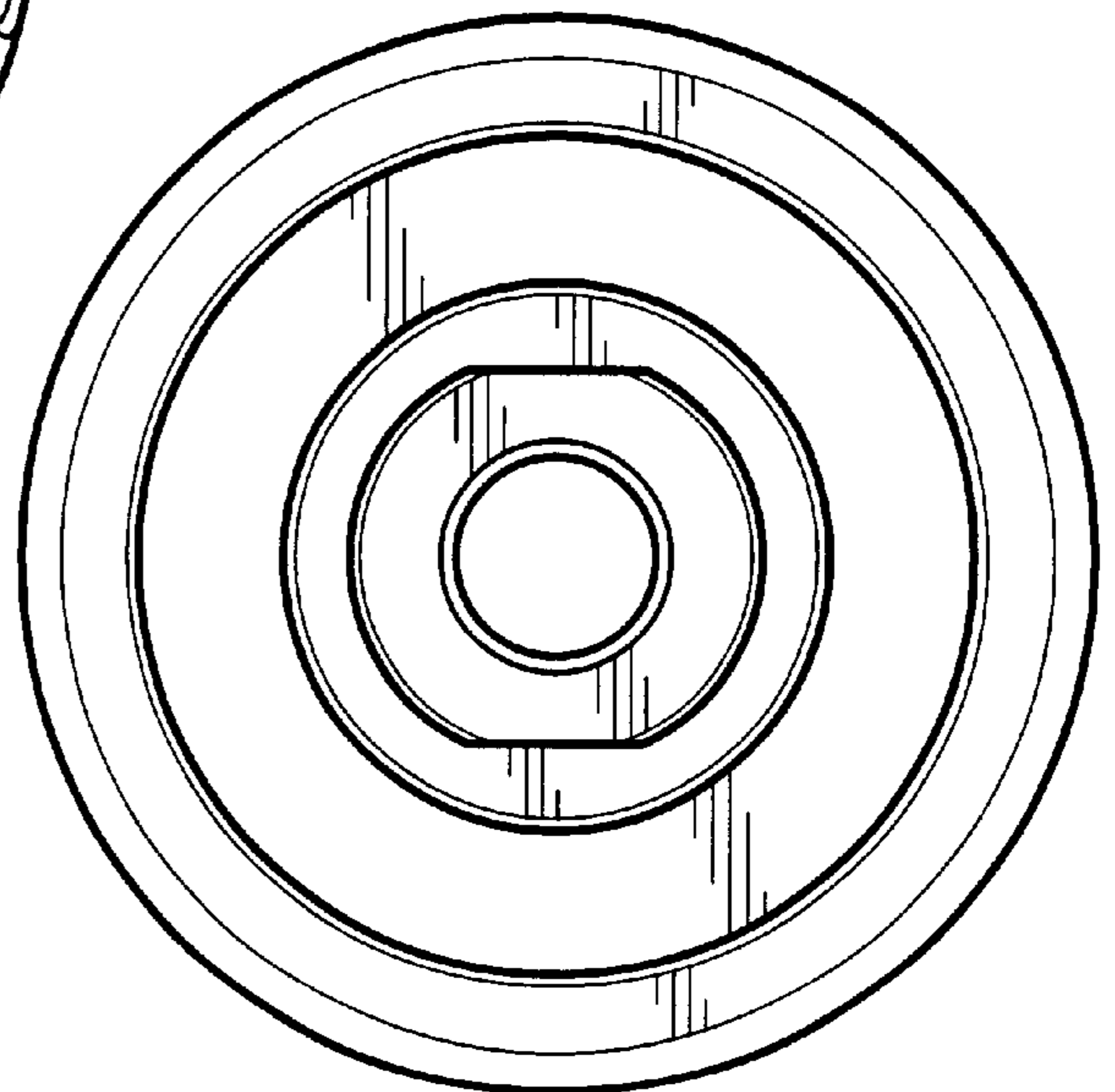


FIG. 5