



US00D461695S

(12) **United States Design Patent** (10) **Patent No.:** **US D461,695 S**
Van Wambeke et al. (45) **Date of Patent:** **** Aug. 20, 2002**

(54) **CIRCULAR SAW GUARD**

| | | | |
|----|----------|----|---------|
| DE | 29917188 | U1 | 12/1999 |
| DE | 29905486 | U1 | 8/2000 |
| JP | 8-207014 | | 8/1996 |

(75) Inventors: **Weston J. Van Wambeke**, Baltimore;
Keith Moore, Owings Mills; **Joel D. Sayles**, Parkville, all of MD (US)

OTHER PUBLICATIONS

(73) Assignee: **Black & Decker Inc.**, Newark, DE (US)

Skil Portable Tools 1951 Buyers Guide, Saw guards, models 77, 800, and 2127; p. 3.*
Rockwell Portable Power Tools, Speedmatic saw guard, p. 2.*

(**) Term: **14 Years**

Primary Examiner—Doris V. Coles

(21) Appl. No.: **29/139,840**

Assistant Examiner—T. Chase Nelson

(22) Filed: **Apr. 6, 2001**

(74) *Attorney, Agent, or Firm*—Harness, Dickey & Pierce, P.L.C.

(51) **LOC (7) Cl.** **08-03**

(57) **CLAIM**

(52) **U.S. Cl.** **D8/70**

The ornamental design for a circular saw guard, as shown and described.

(58) **Field of Search** D8/61, 62, 63,
D8/64, 65, 66, 67, 68, 69, 70; 30/123.3,
390, 391; 81/54, 57.11, 57.42; 173/48,
109, 170; 227/2, 8, 10, 111, 112, 113, 114,
115, 116, 120, 123, 130, 131, 136, 142,
151; 451/451, 356; 83/520

DESCRIPTION

(56) **References Cited**

U.S. PATENT DOCUMENTS

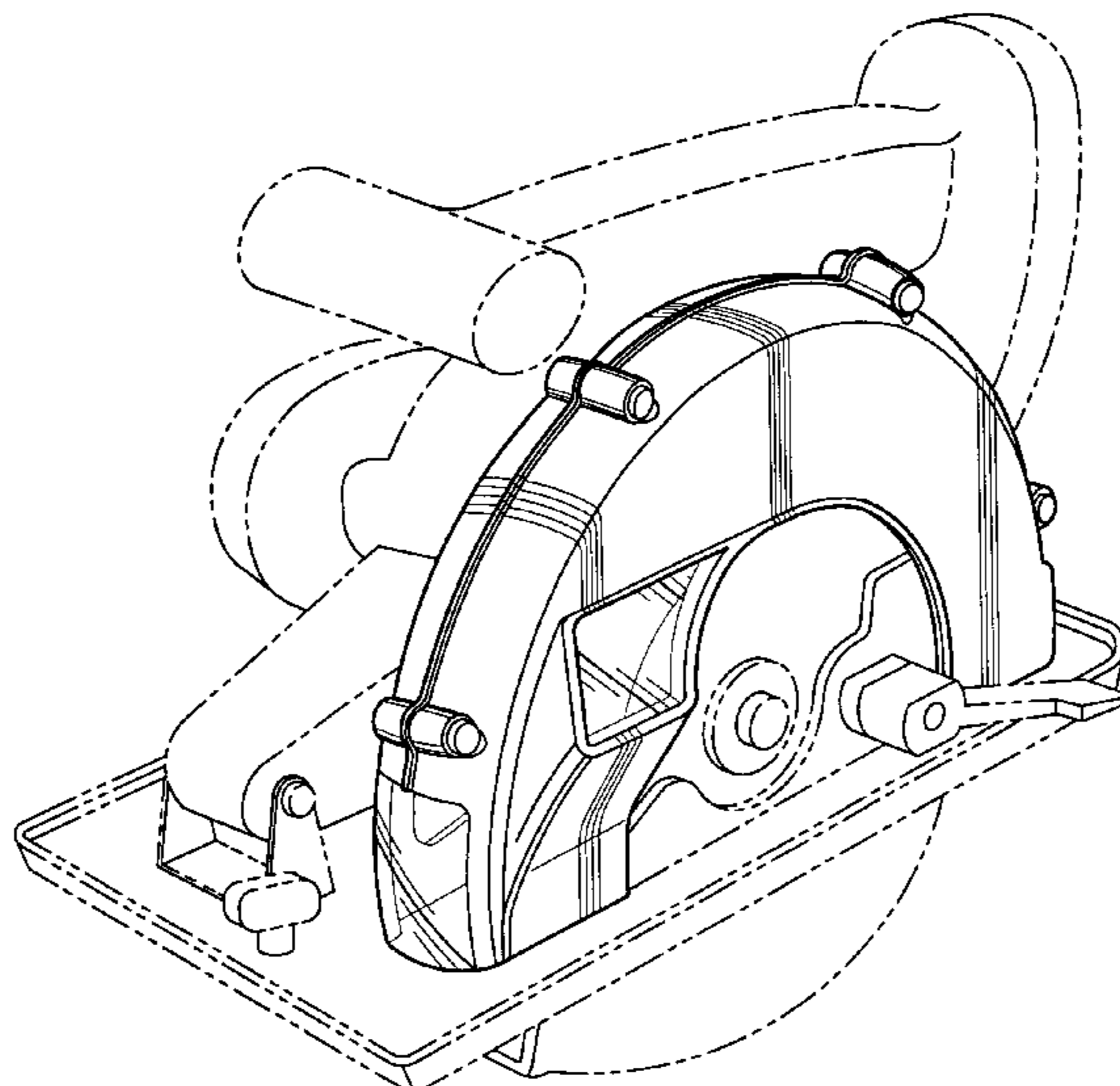
| | | | | |
|-----------|-----|---------|---------------|----------|
| 1,312,651 | A | 8/1919 | Walters | |
| 1,830,579 | A | 11/1931 | Wappat | |
| 2,589,309 | A * | 3/1952 | Tompkins | 451/451 |
| 4,397,089 | A * | 8/1983 | Pease | D8/70 |
| 4,450,627 | A | 5/1984 | Morimoto | |
| 4,539,881 | A | 9/1985 | Maier | |
| 4,782,591 | A * | 11/1988 | DeVito et al. | 30/123.3 |

(List continued on next page.)

FOREIGN PATENT DOCUMENTS

| | | |
|----|----------|------------|
| CH | 358579 | 11/1961 |
| DE | 3104340 | C2 2/1982 |
| DE | 3345335 | A1 12/1983 |
| DE | 3540625 | C2 6/1986 |
| DE | 19602440 | A1 1/1996 |
| DE | 29903876 | U1 7/1999 |

1 Claim, 3 Drawing Sheets



US D461,695 S

Page 2

U.S. PATENT DOCUMENTS

| | | | | | | | |
|-------------|-----------|-----------------------|--------|--------------|-----------|--------------------|--------|
| 4,982,501 A | 1/1991 | Sauerwein et al. | | D411,425 S | 6/1999 | Sugimoto et al. | |
| D315,854 S | * 4/1991 | Kawakami | D8/69 | 5,911,482 A | 6/1999 | Campbell et al. | |
| 5,023,999 A | * 6/1991 | Looper et al. | 30/390 | 5,924,207 A | * 7/1999 | Price et al. | 30/391 |
| D320,729 S | * 10/1991 | Zurwelle | D8/66 | 5,933,969 A | * 8/1999 | Houben et al. | 30/390 |
| D329,363 S | * 9/1992 | Sasaki et al. | D8/66 | D418,032 S | 12/1999 | Watson et al. | |
| D334,523 S | * 4/1993 | Hoshino et al. | D8/66 | D421,702 S | 3/2000 | Sakai et al. | |
| D335,433 S | 5/1993 | Schultz et al. | | 6,055,734 A | 5/2000 | McCurry et al. | |
| D337,500 S | * 7/1993 | Hutchings, II | D8/70 | D427,874 S | 7/2000 | Hayakawa et al. | |
| 5,361,501 A | * 11/1994 | Fajnsztajn | 30/390 | D428,318 S | 7/2000 | Gallagher et al. | |
| 5,440,809 A | * 8/1995 | Padilla | 30/390 | D428,319 S | 7/2000 | Gallagher | |
| D363,656 S | 10/1995 | Gierke | | D429,133 S | 8/2000 | Lui | |
| D379,055 S | * 5/1997 | Bowen et al. | D8/66 | 6,094,827 A | 8/2000 | Campbell | |
| 5,737,843 A | 4/1998 | Finger et al. | | 6,108,916 A | 8/2000 | Zeiler et al. | |
| 5,758,425 A | * 6/1998 | Gallagher et al. | 30/390 | D433,300 S | * 11/2000 | Buck | D8/67 |
| 5,794,351 A | 8/1998 | Campbell et al. | | 6,161,293 A | 12/2000 | Watson | |
| 5,822,864 A | 10/1998 | Campbell et al. | | D445,013 S | * 7/2001 | Etter et al. | D8/66 |
| D400,417 S | * 11/1998 | Moran, II | D8/70 | 6,269,543 B1 | 8/2001 | Ohkouchi | |
| 5,832,614 A | * 11/1998 | Gallagher et al. | 30/390 | 6,276,064 B1 | * 8/2001 | Campbell | 30/390 |
| D408,248 S | * 4/1999 | Zurwelle et al. | D8/66 | | | | |

* cited by examiner

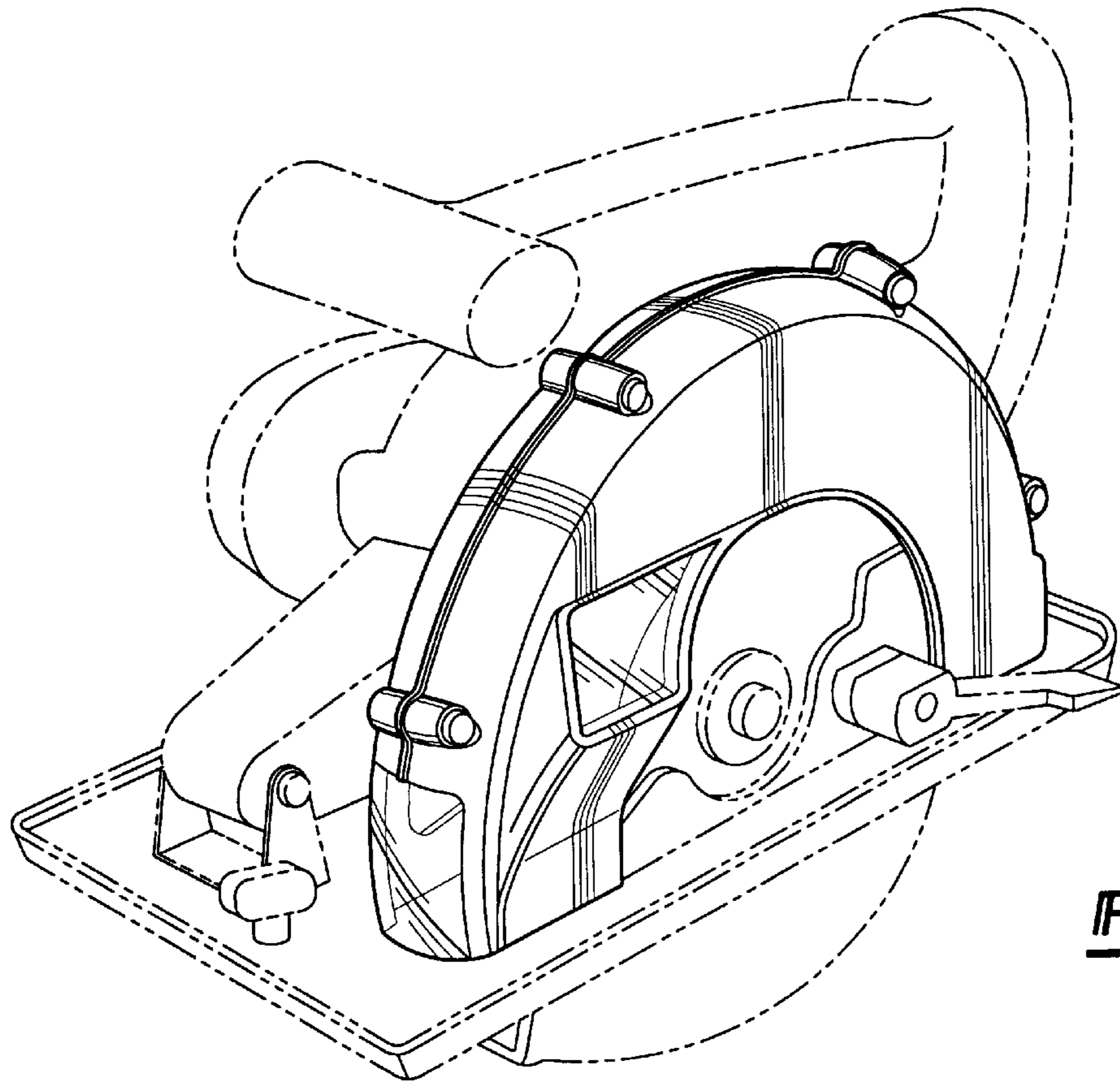


Fig-1

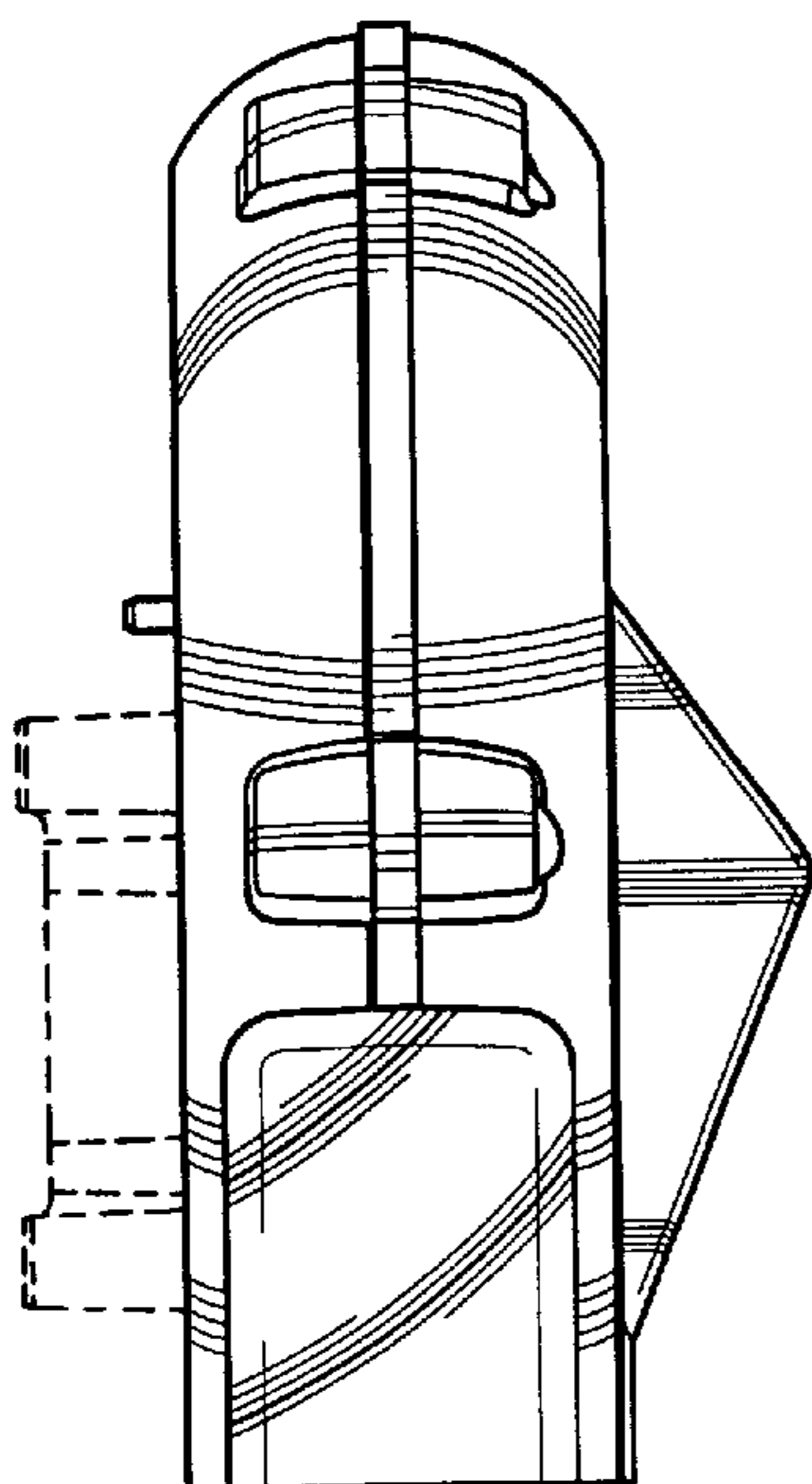


Fig-2

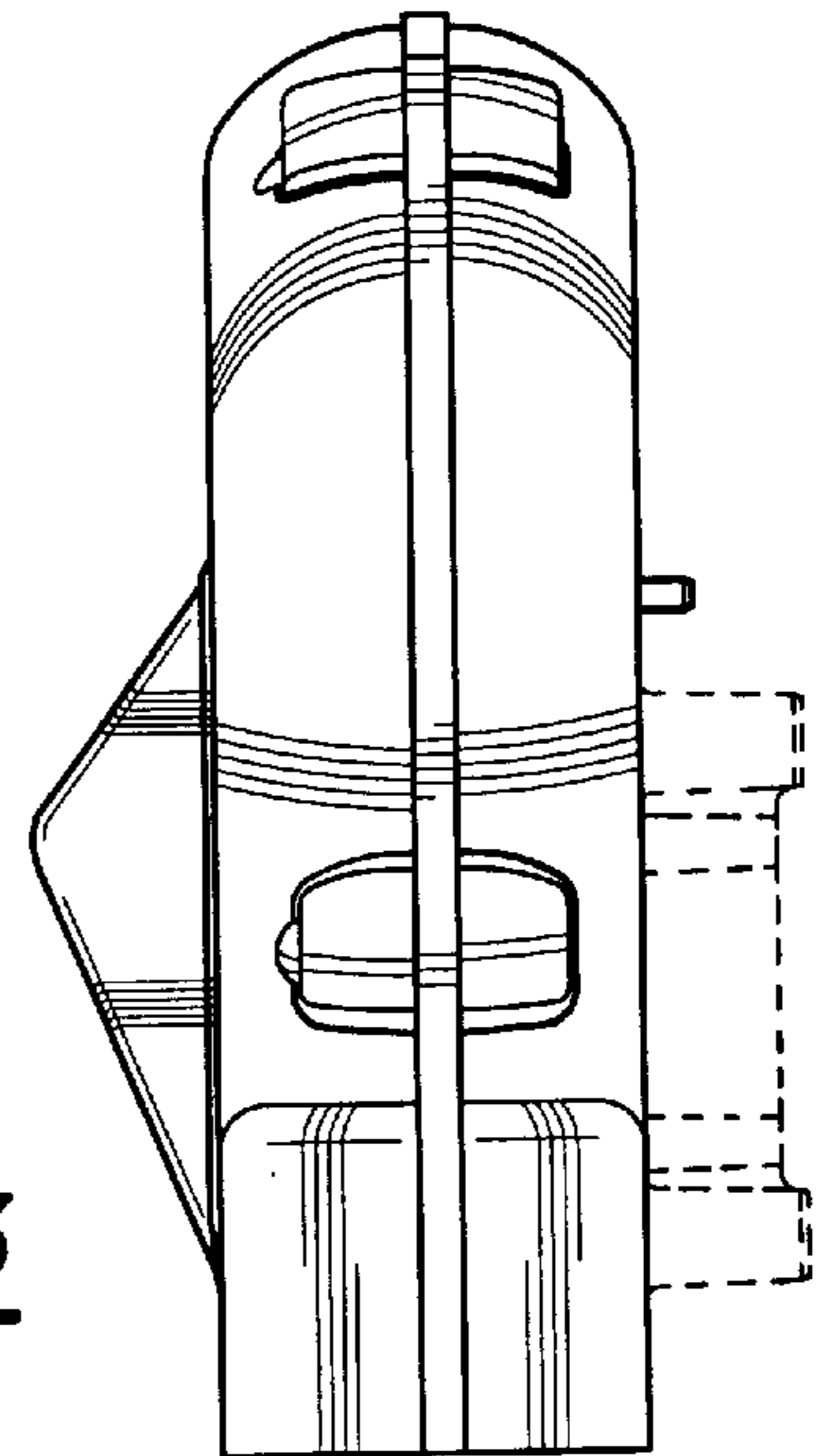


Fig-3

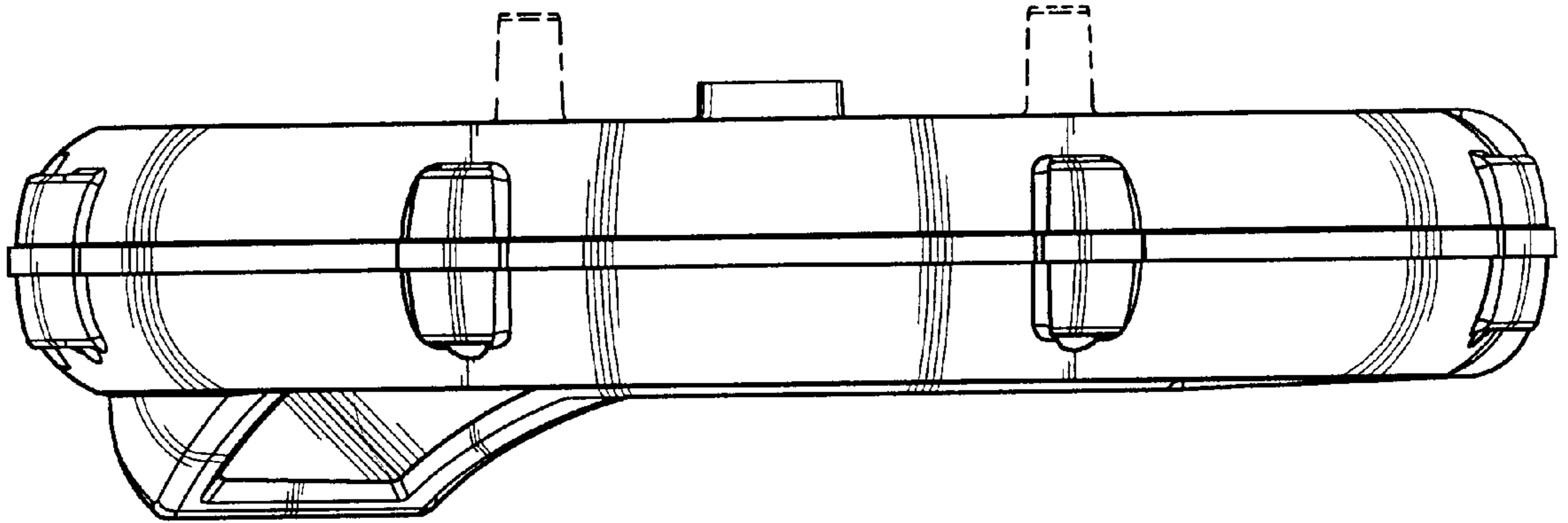


Fig-4

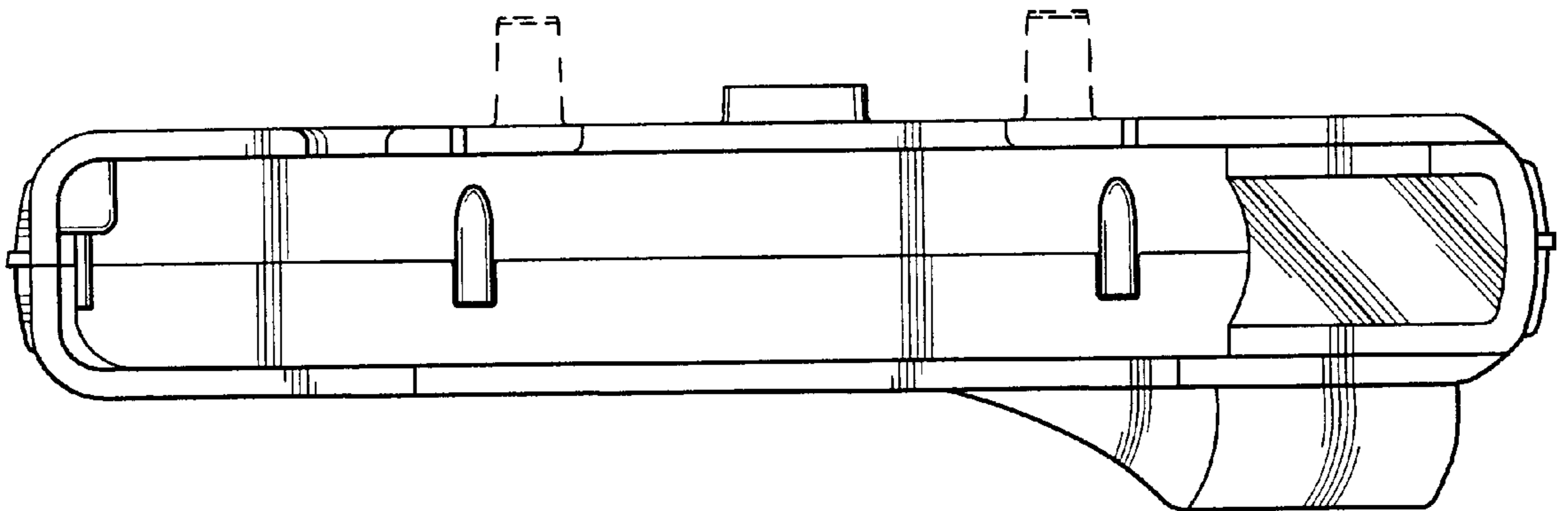


Fig-5

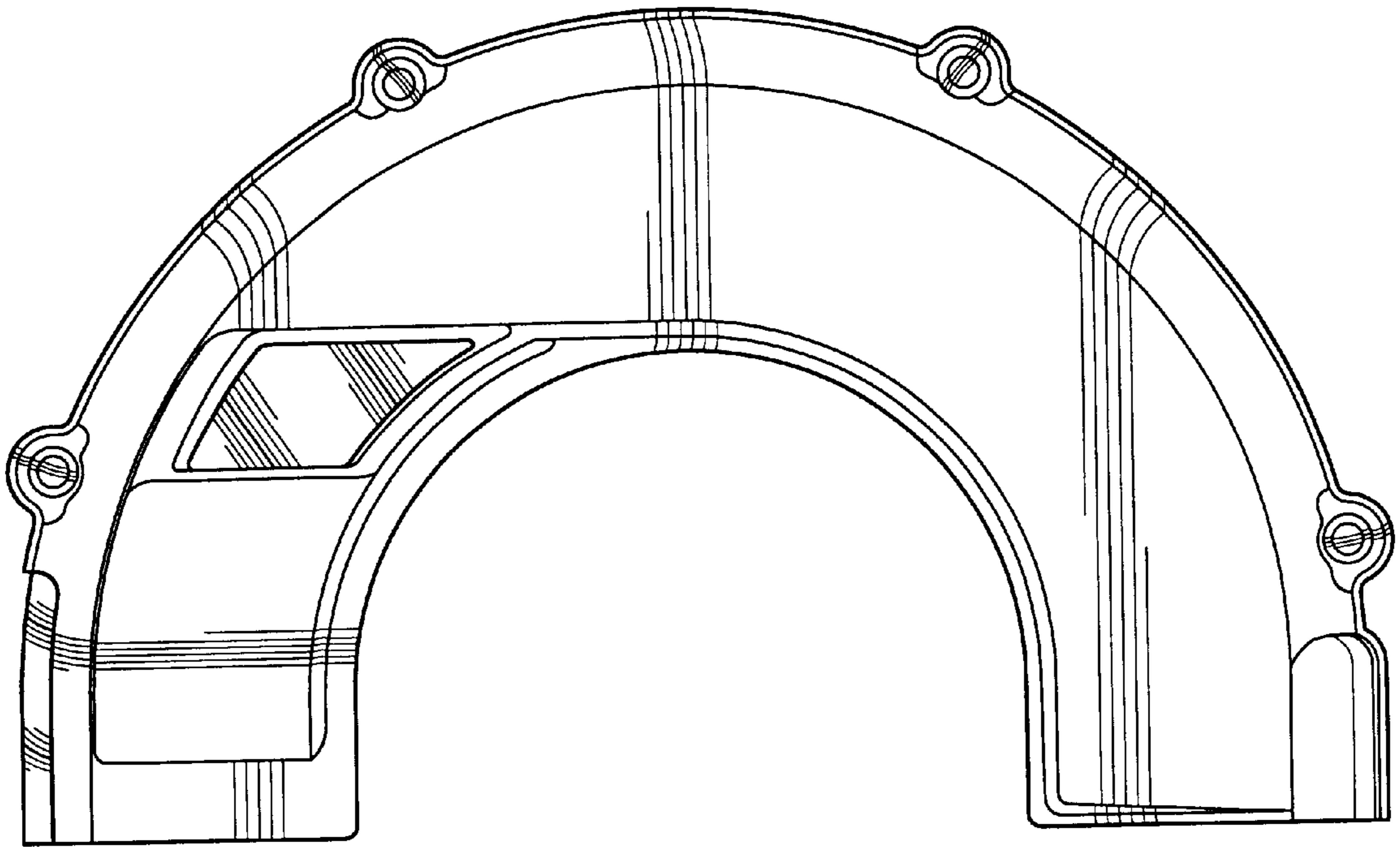


Fig-6

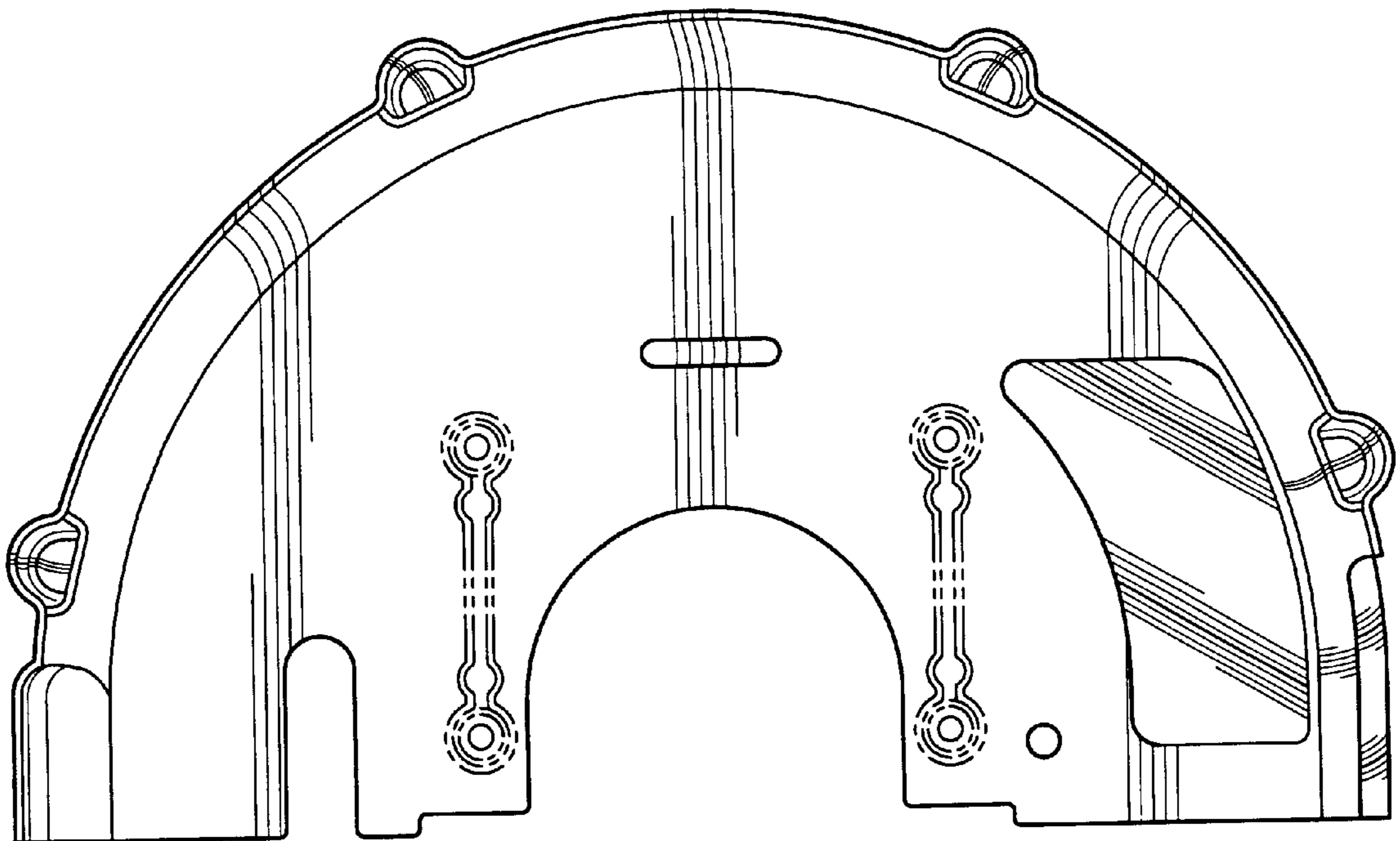


Fig-7