



US00D461691S

(12) **United States Design Patent**  
**Huang et al.**

(10) **Patent No.: US D461,691 S**

(45) **Date of Patent: \*\* Aug. 20, 2002**

(54) **APPLE CORER**

(75) Inventors: **Daiying Huang; Diane Subsits**, both of Chicago; **David May**, Geneva, all of IL (US)

(73) Assignee: **The Pampered Chef, Ltd.**, Addison, IL (US)

(\*\*) Term: **14 Years**

(21) Appl. No.: **29/092,739**

(22) Filed: **Aug. 26, 1998**

(51) **LOC (7) Cl. .... 07-04**

(52) **U.S. Cl. .... D7/693**

(58) **Field of Search** ..... D7/693, 695; 30/113.1, 30/113.2, 113.3, 113.4, 123.7, 279.6, 280, 302, 316

(56) **References Cited**

**U.S. PATENT DOCUMENTS**

185,902 A	1/1877	Fallows	30/113.1
867,970 A	10/1907	Hedborg	30/113.1
1,293,351 A	2/1919	Creasey	30/113.1
1,317,263 A	9/1919	Bishop	99/544
1,448,652 A	3/1923	Anderson et al.	30/113.1
1,530,822 A	3/1925	Gibson	99/544
1,605,677 A	11/1926	McCarthy	99/544
1,674,271 A *	6/1928	Winqvist	30/279.6
2,117,278 A	5/1938	Ainsworth	30/113.1
2,213,015 A	8/1940	Parent	30/130
2,549,008 A *	4/1951	Rasake et al.	30/116 X
2,615,245 A	10/1952	Schaumleffel	30/130
2,990,615 A *	7/1961	Ohler	30/316
3,384,963 A *	5/1968	Brando	30/280
4,310,969 A	1/1982	Cannizzaro et al.	30/113.1
4,596,073 A	6/1986	Ewald	30/113.1
4,873,991 A	10/1989	Skinner	128/764

**OTHER PUBLICATIONS**

NORPRO, 1992 Catalog, p. 6, Apple Corers (Apr., 1992).  
Harold Import Co., Inc., 1992 Catalog, p. 44, Apple Corer PL/SS (1992).

Rowoco, 1991 Catalog p. 60, Corers (Sep., 1991).

Farberware, 1992-93 Price List, p. 18, Apple Corer (1992-1993).

Better Houseware Corp., Jan. 1992 Price List, p. 16, Apple Corer (Jan., 1992).

The Pampered Chef, 1990 Catalog, p. 14 Apple Corer (1990).

\* cited by examiner

*Primary Examiner*—Terry A. Wallace

(74) *Attorney, Agent, or Firm*—Olson & Hierl, Ltd.

(57) **CLAIM**

The ornamental design for an apple corer, as shown and described.

**DESCRIPTION**

FIG. 1 is an environmental perspective view of an apple corer showing our new design within an apple (shown in broken lines);

FIG. 2 is a top plan view of the FIG. 1 apple corer;

FIG. 3 is a side elevational view of the FIG. 1 apple corer with the plunger partially descended;

FIG. 4 is a front side elevational view of the FIG. 1 apple corer with the plunger partially descended;

FIG. 5 is a bottom plan view of the FIG. 1 apple corer;

FIG. 6 is a side elevational view of the FIG. 1 apple corer similar to FIG. 3, but with the plunger fully descended;

FIG. 7 is a front side elevational view of the FIG. 1 apple corer similar to FIG. 4, but with the plunger fully descended;

FIG. 8 is top view similar to FIG. 2, but with the plunger fully descended; and,

FIG. 9 is a bottom view similar to FIG. 5, but with the plunger fully descended.

The broken lines in FIG. 1 are for illustrative purposes only and form no part of the claimed design.

**1 Claim, 2 Drawing Sheets**

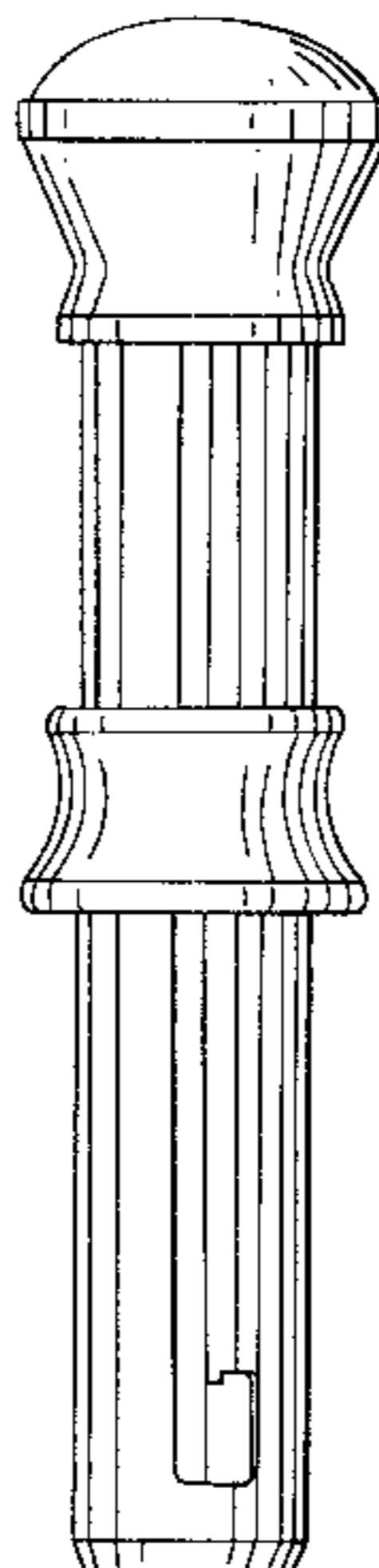


FIG. 1

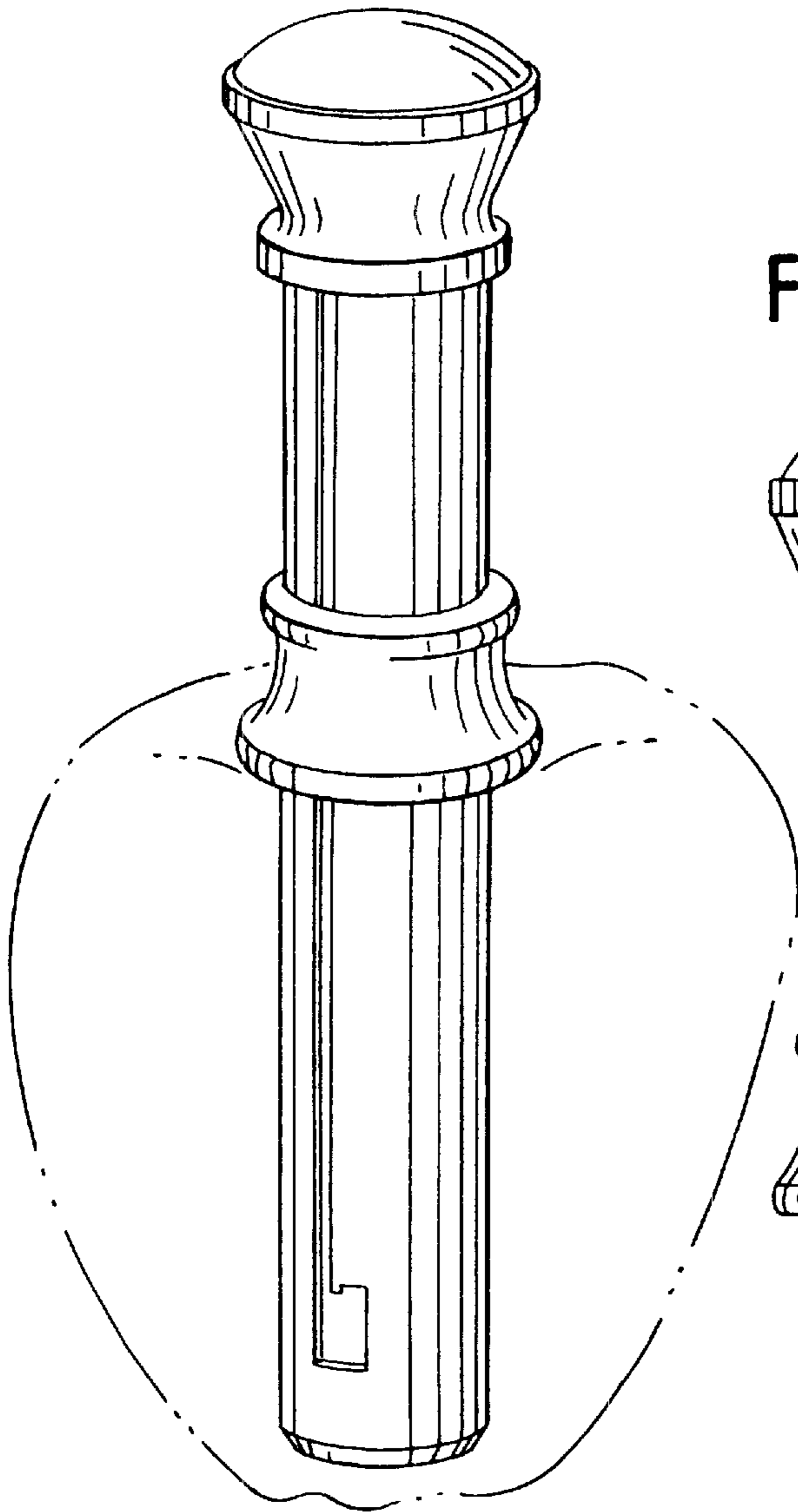


FIG. 2

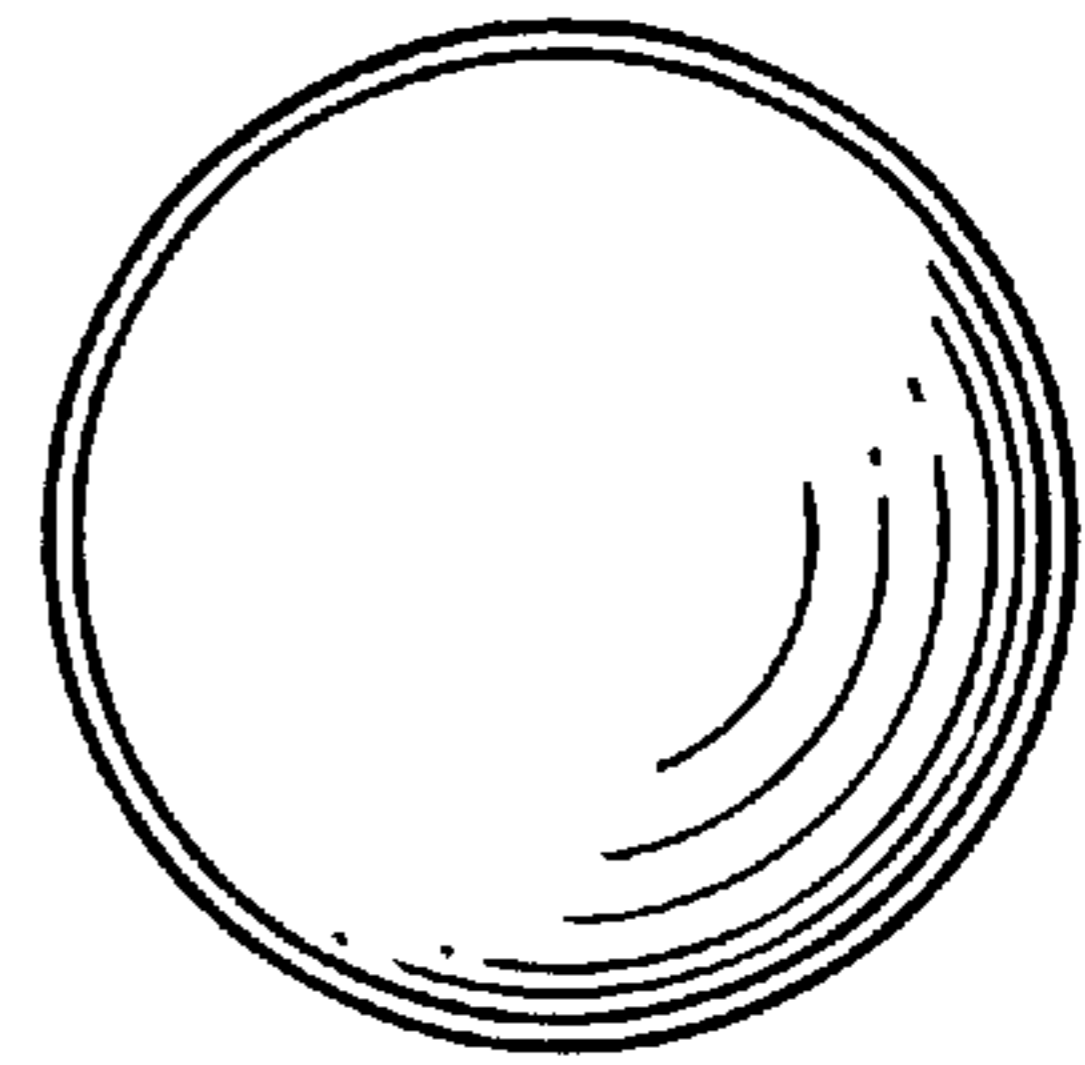


FIG. 3

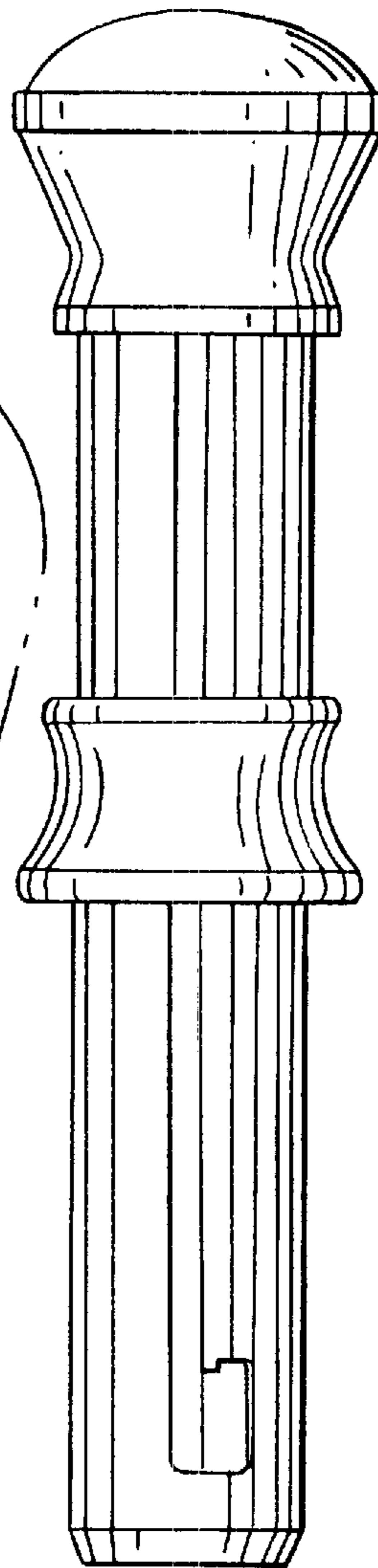


FIG. 4

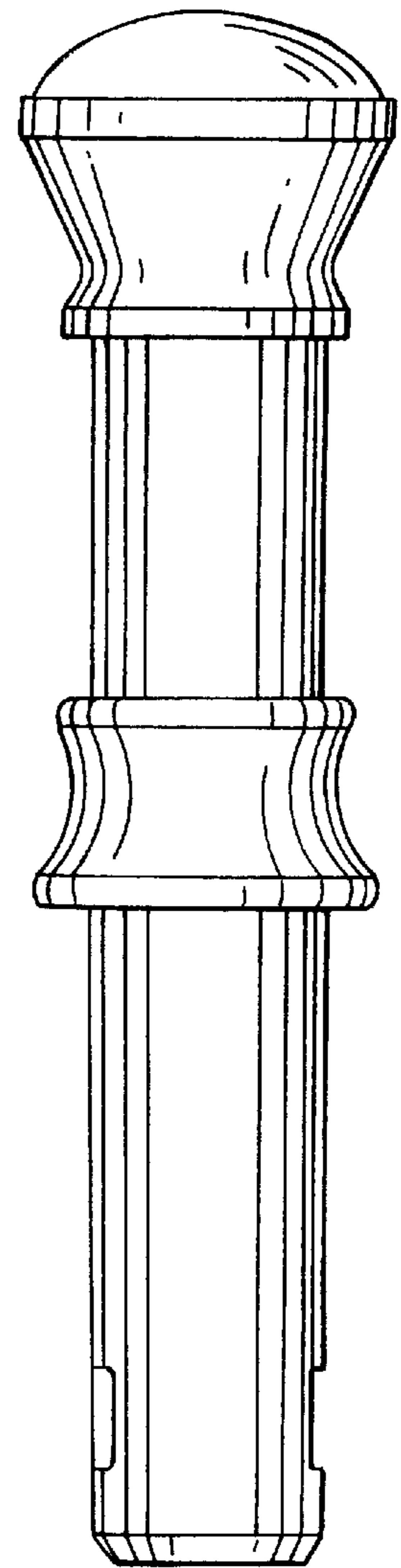


FIG. 5

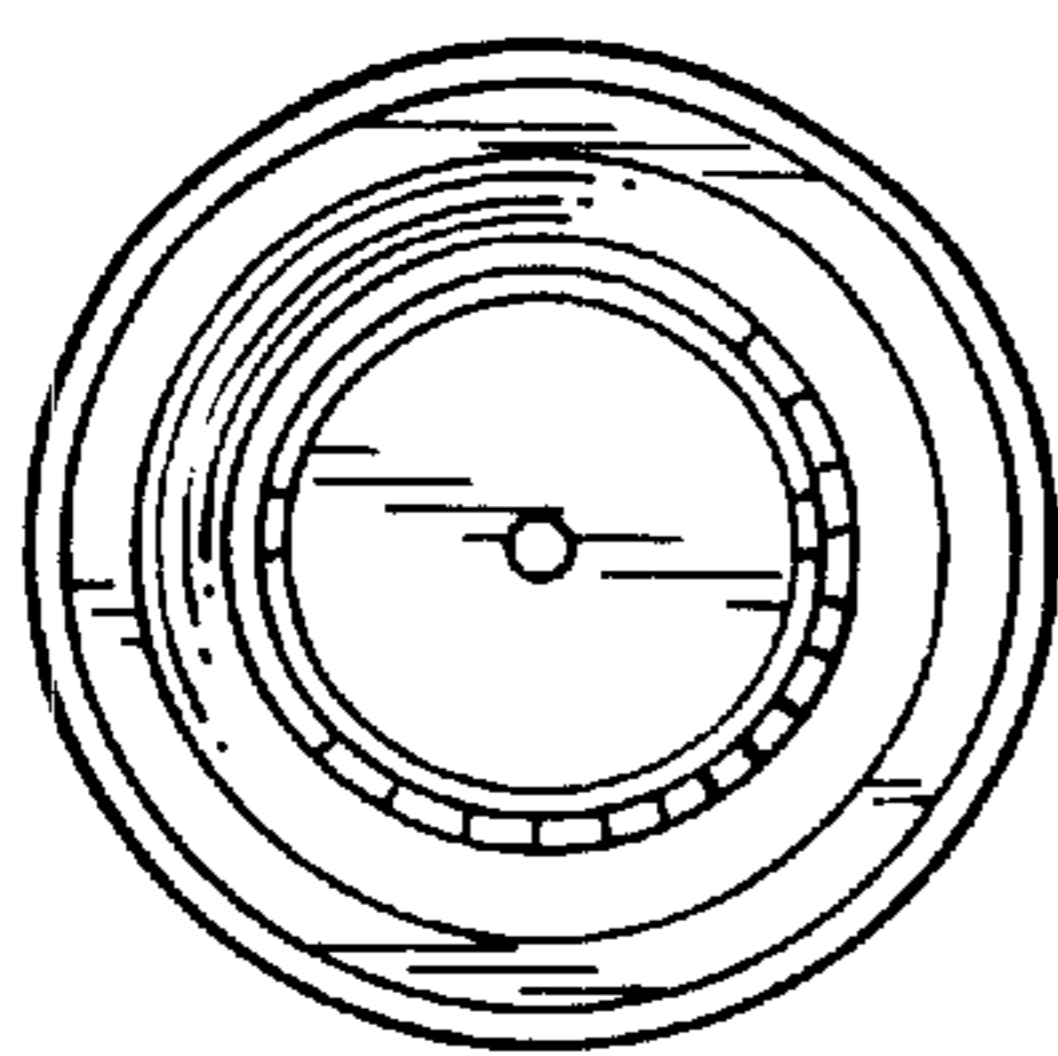


FIG. 6

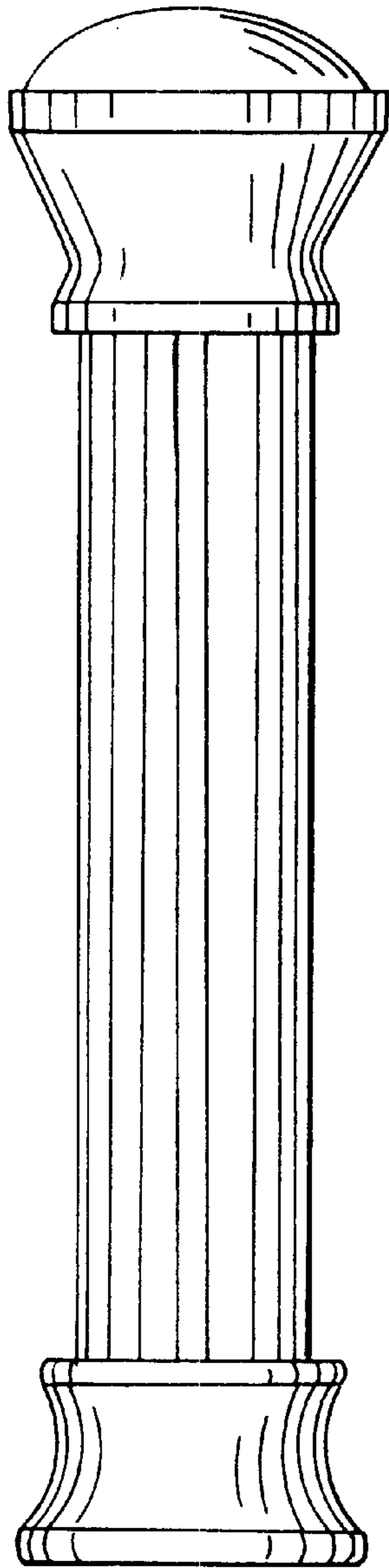


FIG. 7

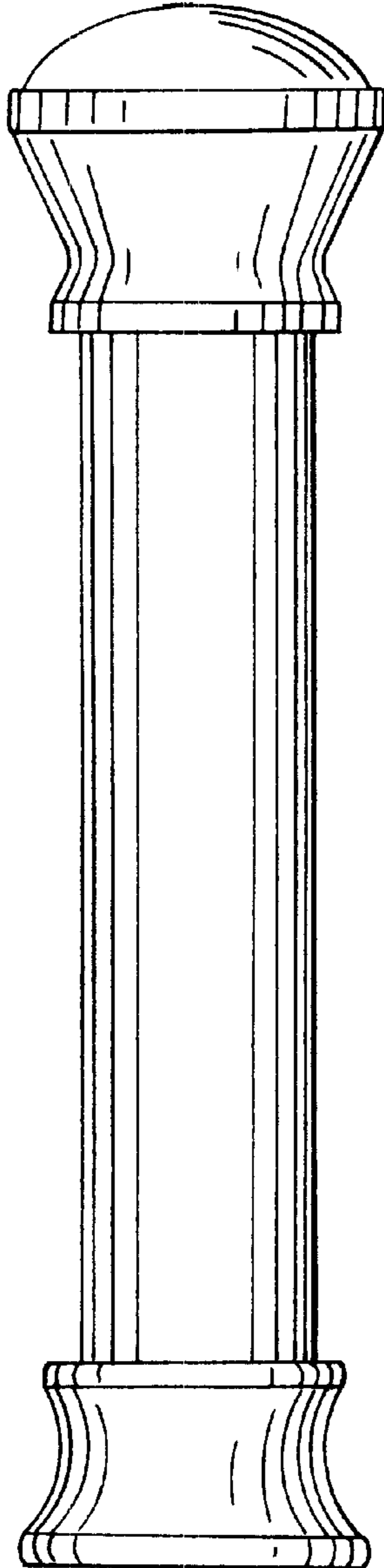


FIG. 8

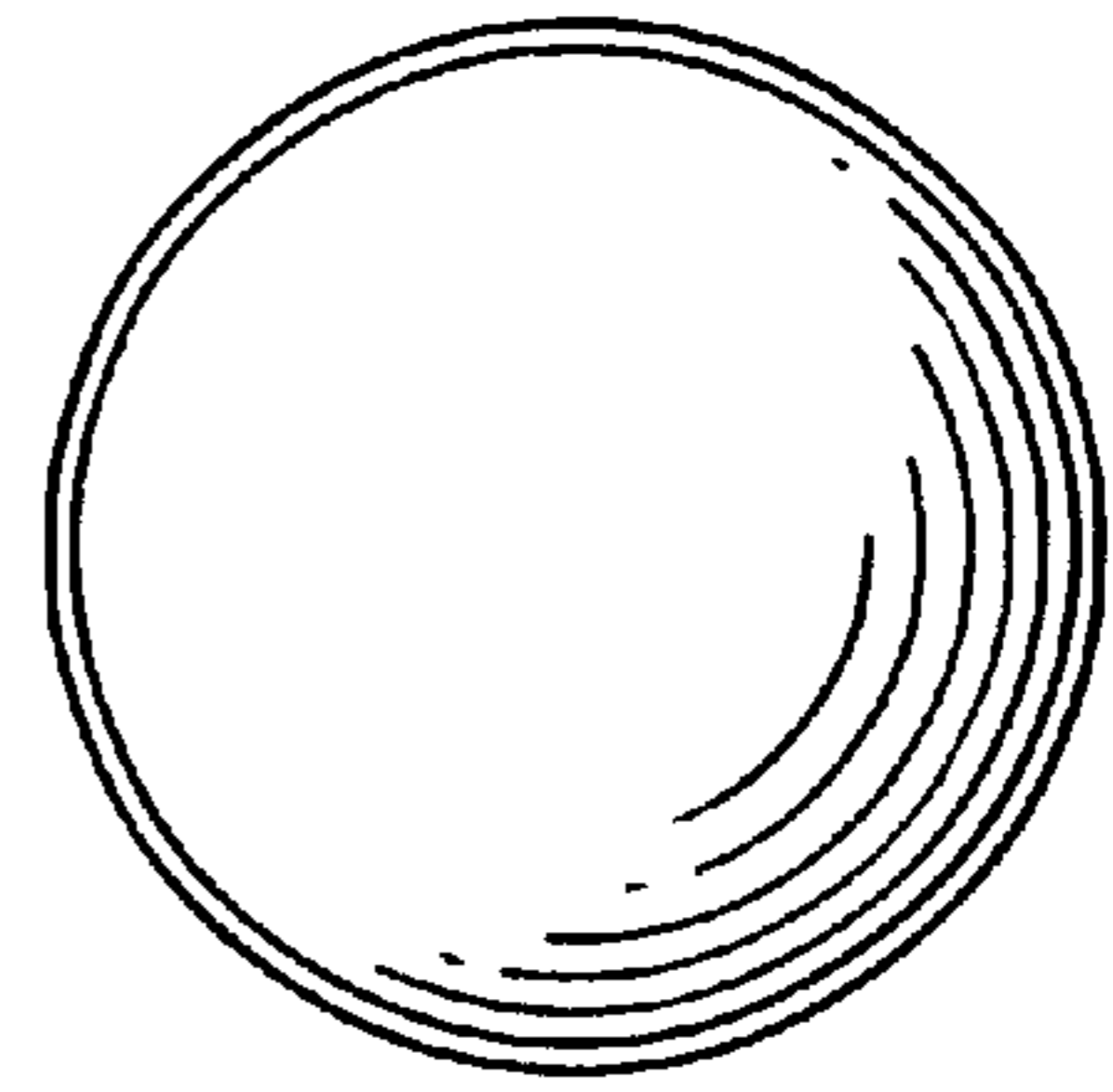


FIG. 9

