



US00D461690S

(12) **United States Design Patent**  
**Carey**

(10) **Patent No.:** **US D461,690 S**

(45) **Date of Patent:** **\*\* Aug. 20, 2002**

(54) **MACADAMIA NUTCRACKER**

5,233,747 A \* 8/1993 Johnson ..... 30/120.2

(76) Inventor: **John Carey**, 1996 Milford Pl., El  
Cajon, CA (US) 92020

\* cited by examiner

(\*\*) Term: **14 Years**

*Primary Examiner*—Terry A. Wallace

(74) *Attorney, Agent, or Firm*—Charles C. Logan, II

(21) Appl. No.: **29/146,147**

(57) **CLAIM**

(22) Filed: **Aug. 6, 2001**

The ornamental design for the macadamia nutcracker, as shown and described.

(51) **LOC (7) Cl.** ..... **07-06**

**DESCRIPTION**

(52) **U.S. Cl.** ..... **D7/680**

(58) **Field of Search** ..... D7/680; 30/120.1–120.5;  
99/580, 581, 578

FIG. 1 is a front perspective view of the novel macadamia nutcracker;

FIG. 2 is a front elevation view thereof and the rear elevation view is identical;

FIG. 3 is a bottom plan view thereof;

FIG. 4 is a left side elevation view thereof and the right side elevation view is identical; and,

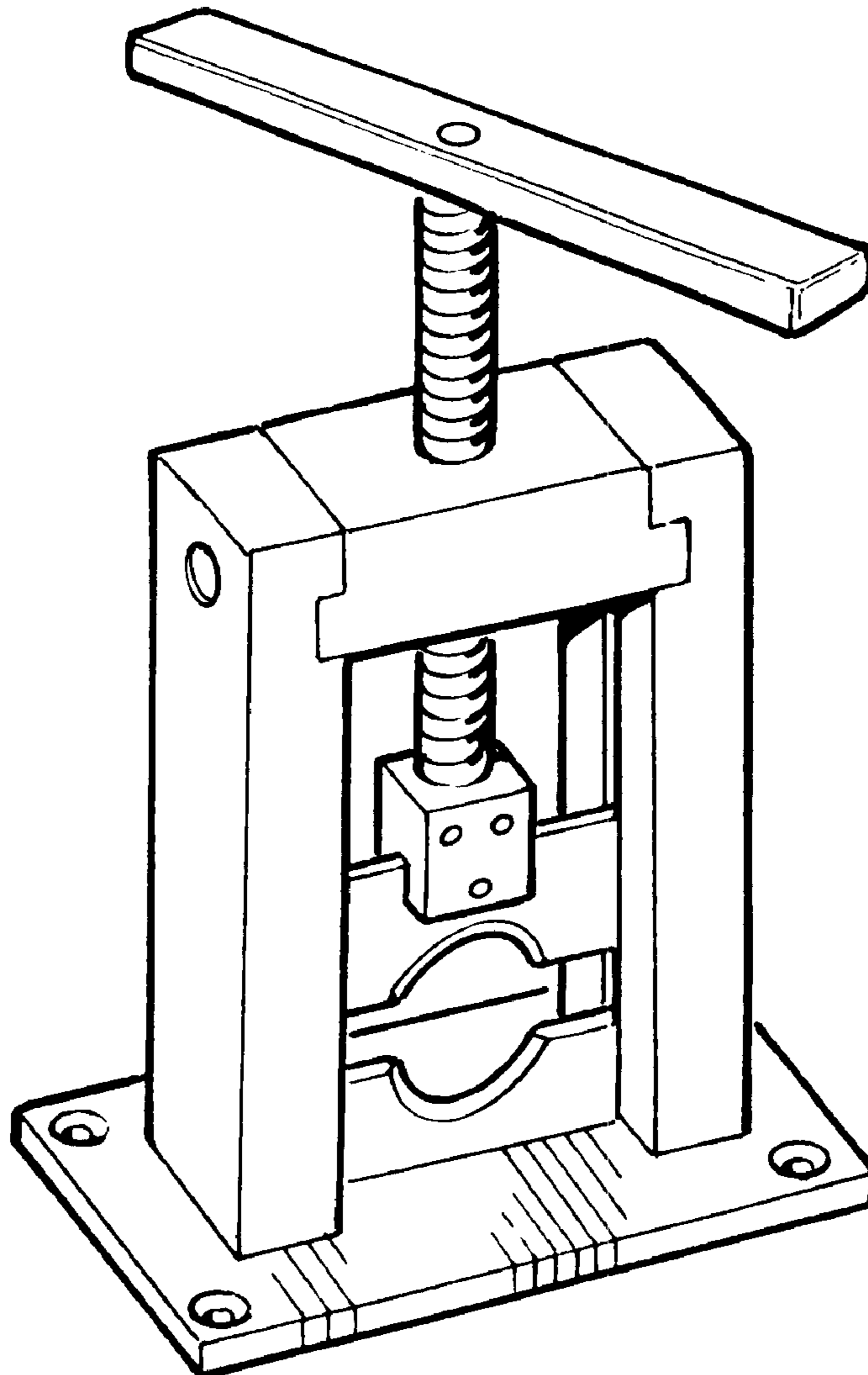
FIG. 5 is a top plan view thereof.

(56) **References Cited**

**U.S. PATENT DOCUMENTS**

D148,148 S	*	12/1947	Davis	.....	D7/680
D170,891 S	*	11/1953	Rumsey	.....	D7/680
D172,357 S	*	6/1954	Nelson	.....	D7/680
D222,980 S	*	2/1972	Pike	.....	D7/680

**1 Claim, 1 Drawing Sheet**



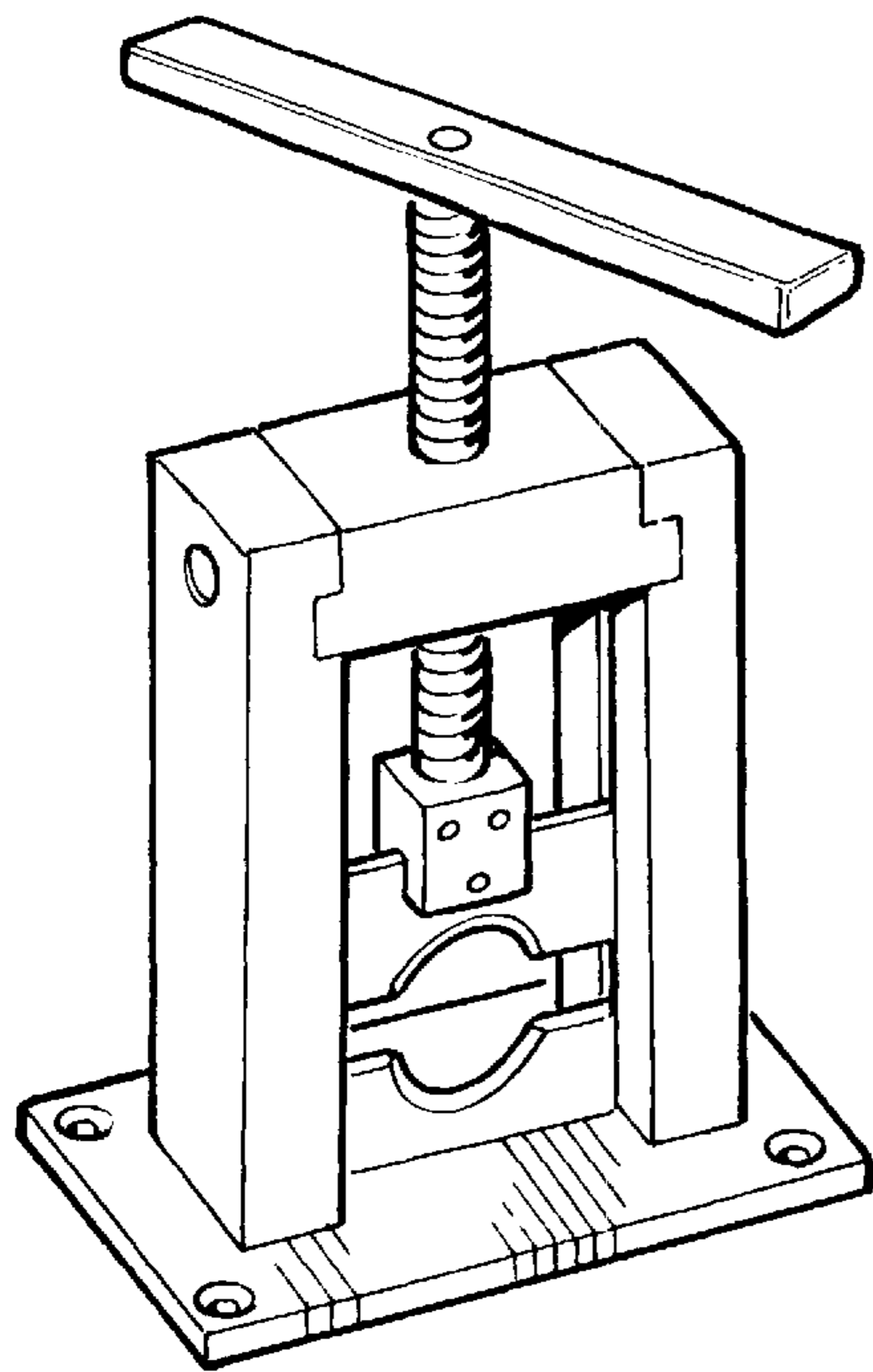


FIG. 1

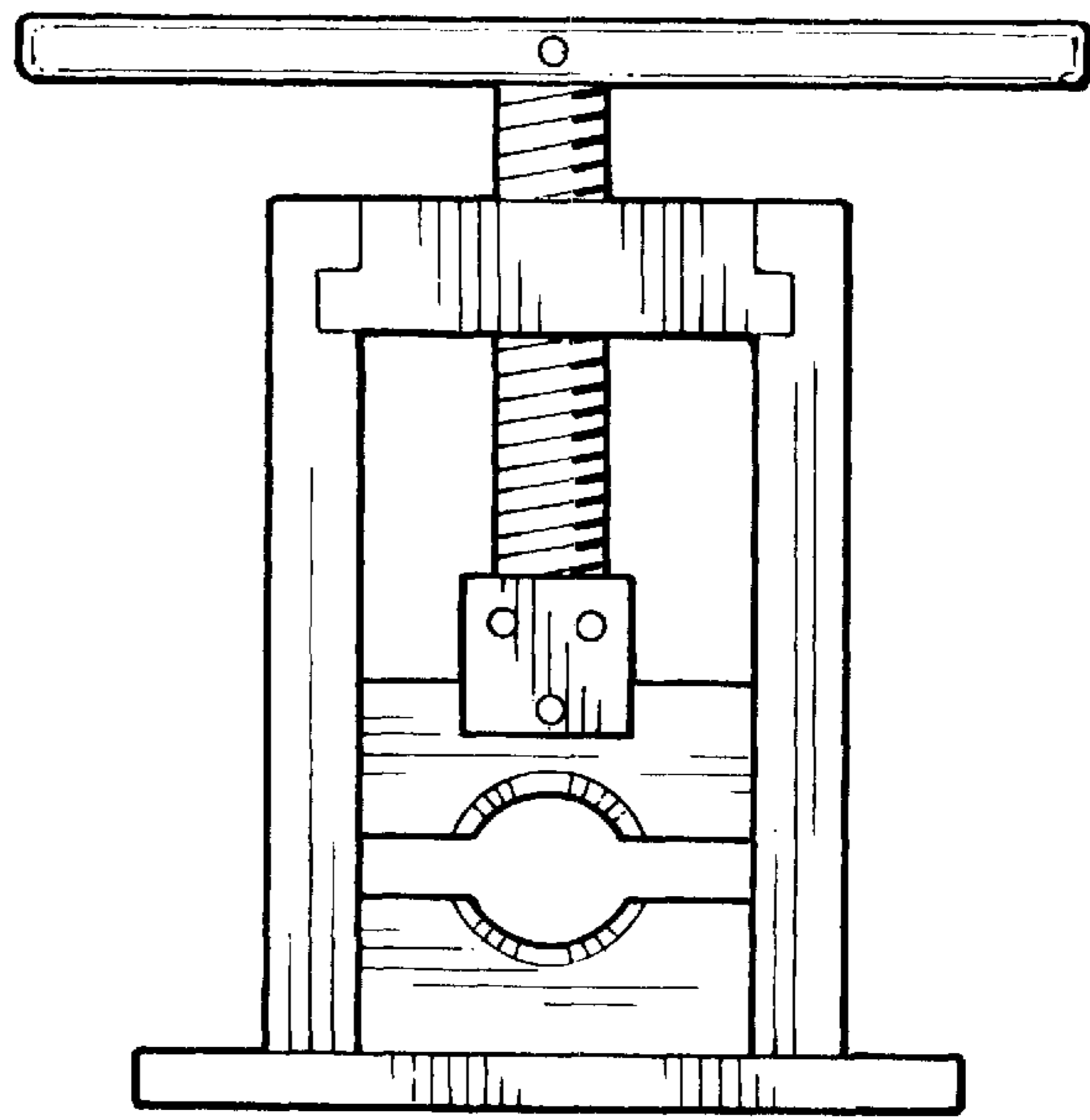


FIG. 2

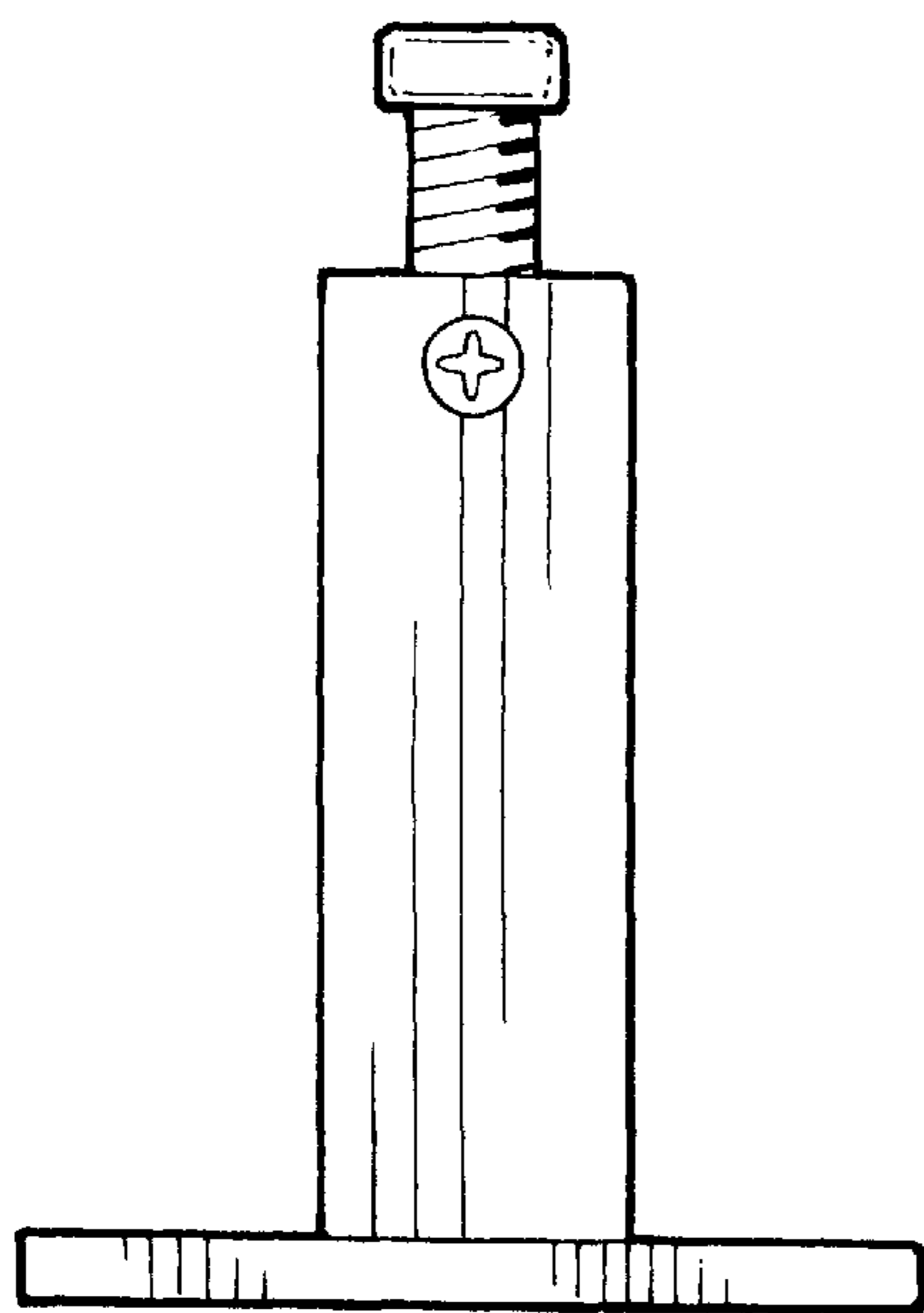


FIG. 4

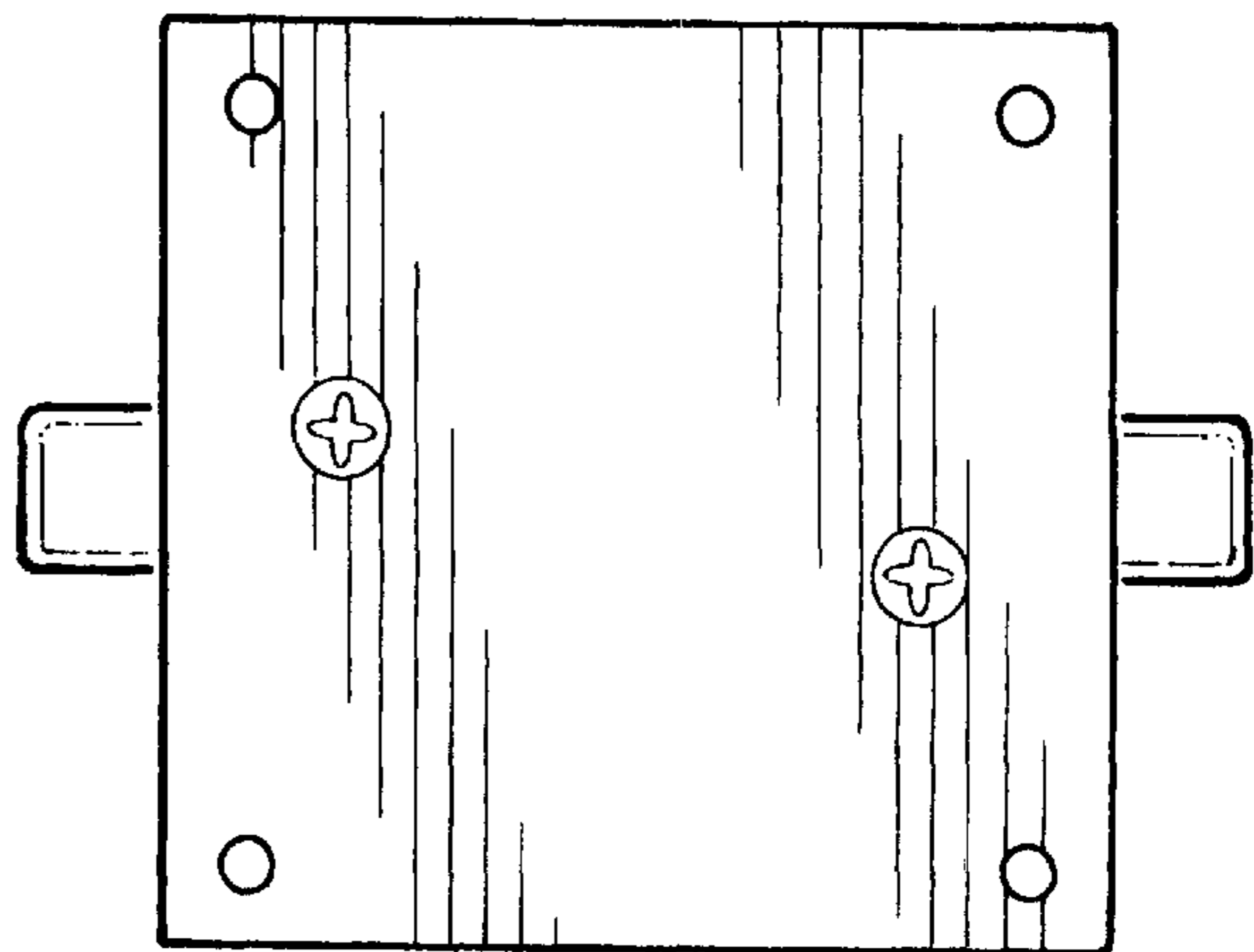


FIG. 3

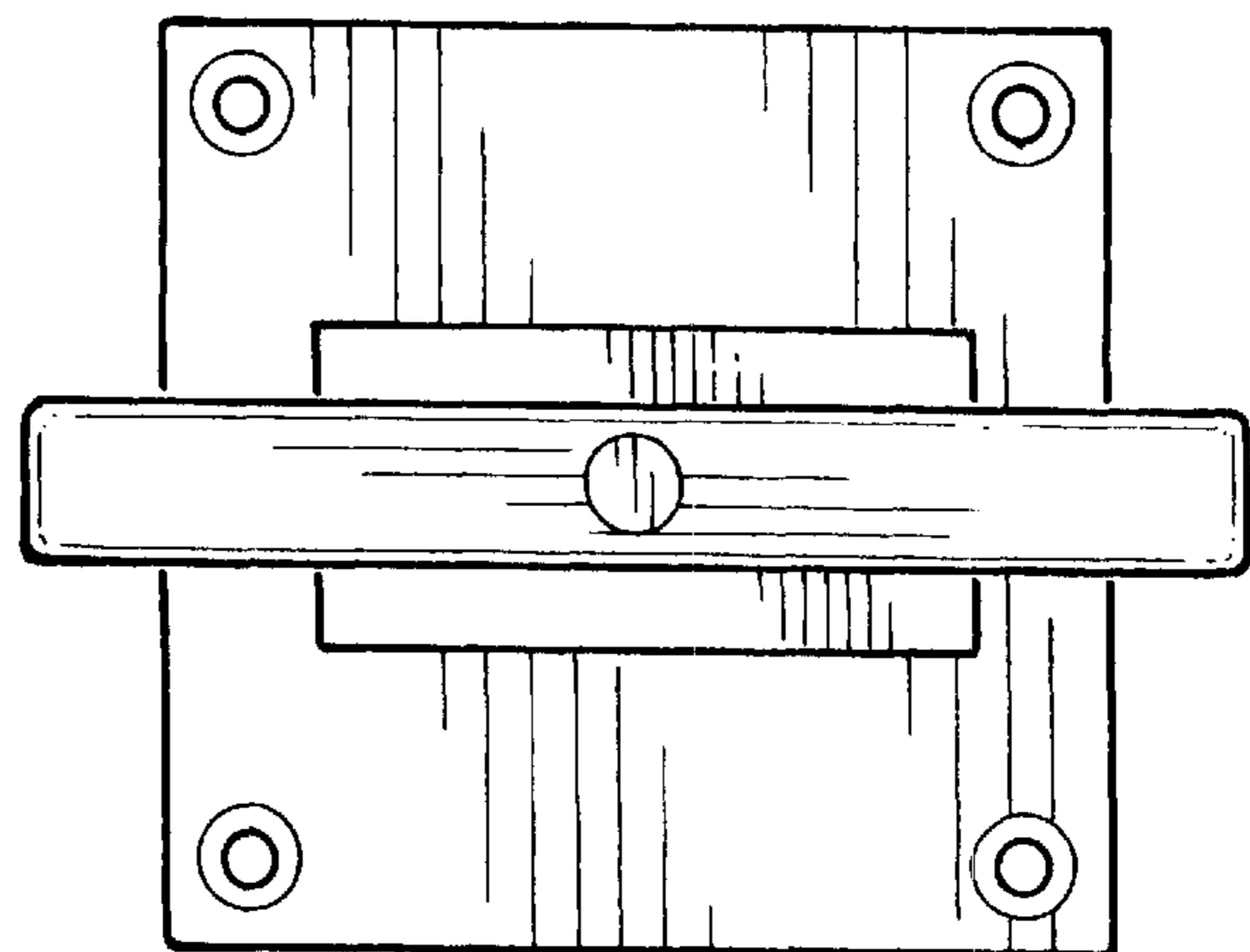


FIG. 5