



US00D461685S

(12) **United States Design Patent**  
**Hsu**

(10) **Patent No.:** **US D461,685 S**

(45) **Date of Patent:** **\*\* Aug. 20, 2002**

(54) **TRAY**

(75) **Inventor:** **Kevin Hsu, Taichung (TW)**

(73) **Assignee:** **Dong Guan Bright Yin Huey Lighting Co., Ltd., Guang Dong (CN)**

(\*\*) **Term:** **14 Years**

(21) **Appl. No.:** **29/145,487**

(22) **Filed:** **Jul. 25, 2001**

(51) **LOC (7) Cl.** ..... **07-01**

(52) **U.S. Cl.** ..... **D7/559; D7/558; D7/552.2; D7/554.2; D6/480**

(58) **Field of Search** ..... **D7/559, 558, 501, D7/552.2, 554.2, 551.1; D6/486, 480, 451, 495, 497; 211/85.4, 132.1, 135.4, 14, 78, 77; 108/43, 25, 131; 220/574.1**

(56) **References Cited**

**U.S. PATENT DOCUMENTS**

D61,943 S \* 2/1923 Carder ..... D7/559

D112,199 S \* 11/1938 Kostellow ..... D7/558  
D141,517 S \* 6/1945 Fordyce ..... D7/558  
D380,350 S \* 7/1997 Tortorella et al. .... D7/558  
D436,270 S \* 1/2001 Kane ..... D6/486  
D441,225 S \* 5/2001 Vaaler ..... D6/486  
D441,258 S \* 5/2001 Spiegelman ..... D7/558

\* cited by examiner

*Primary Examiner*—M. N. Pandozzi

(74) *Attorney, Agent, or Firm*—Rosenberg, Klein & Lee

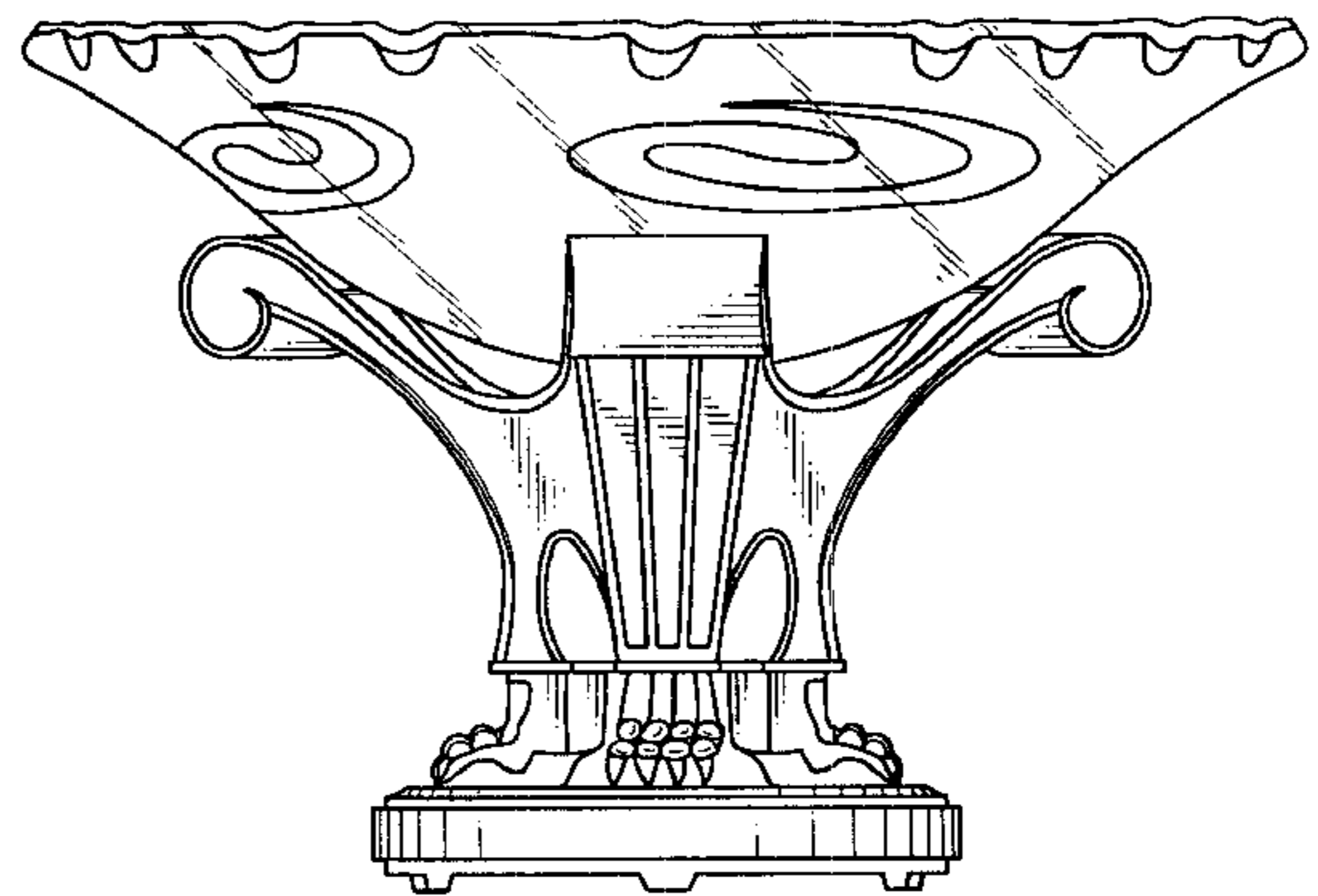
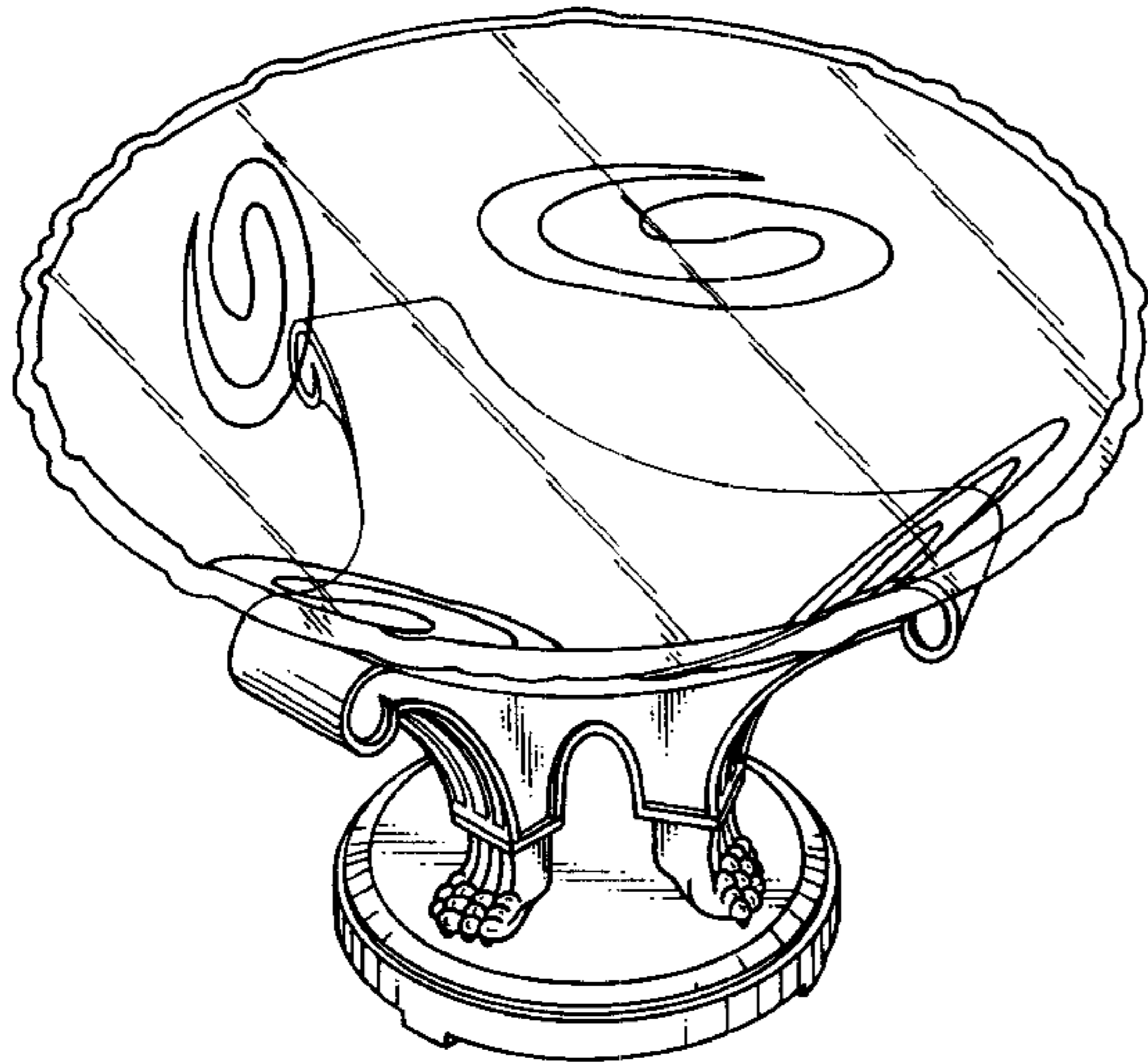
(57) **CLAIM**

The ornamental design for a tray, as shown and described.

**DESCRIPTION**

FIG. 1 is a perspective view of tray showing my new design;  
FIG. 2 is a front elevation view thereof;  
FIG. 3 is a rear elevation view thereof;  
FIG. 4 is a left side elevation view thereof;  
FIG. 5 is a right side elevation view thereof;  
FIG. 6 is a top plan view thereof; and,  
FIG. 7 is a bottom plan view thereof.

**1 Claim, 4 Drawing Sheets**



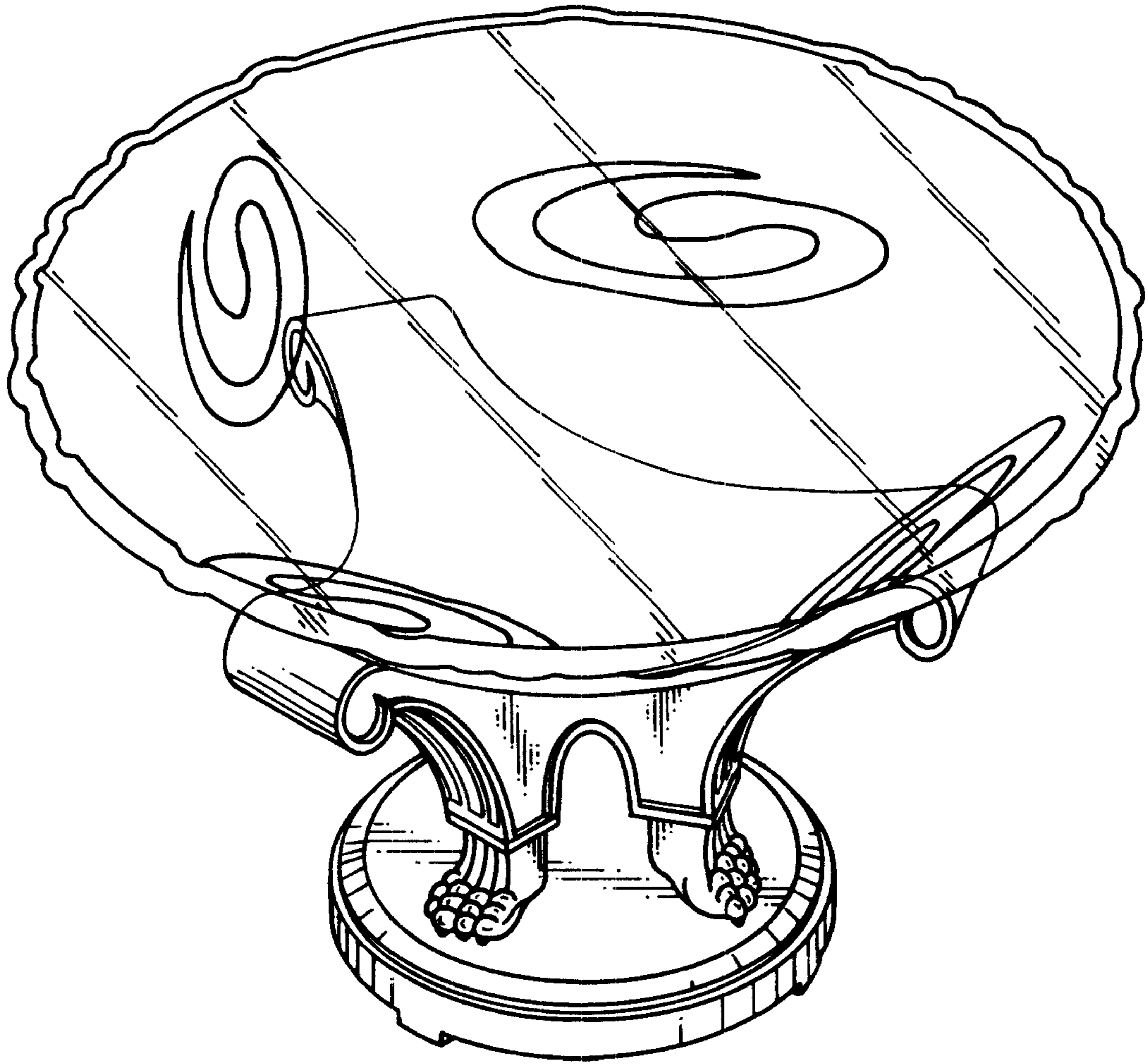


FIG. 1

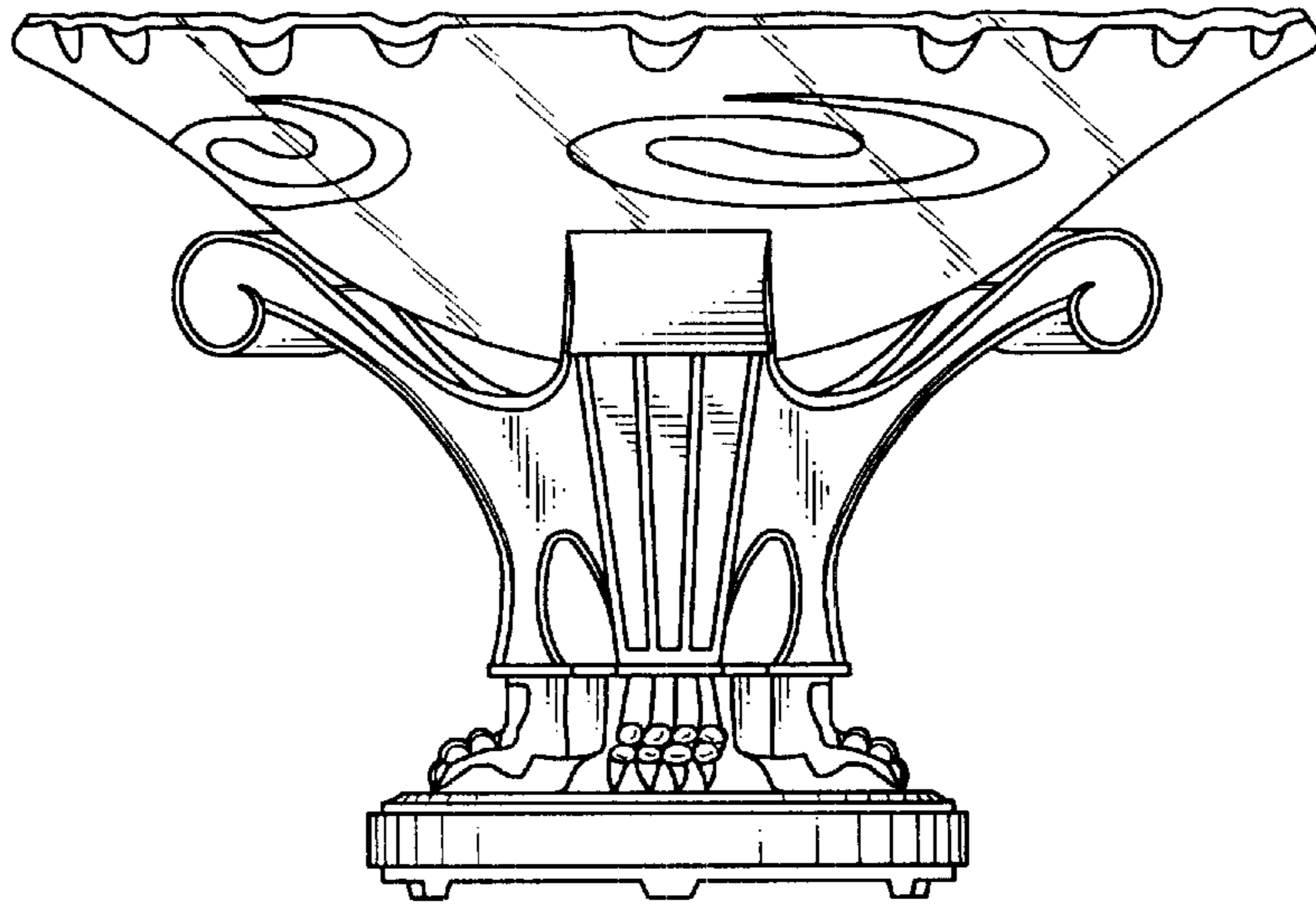


FIG. 2

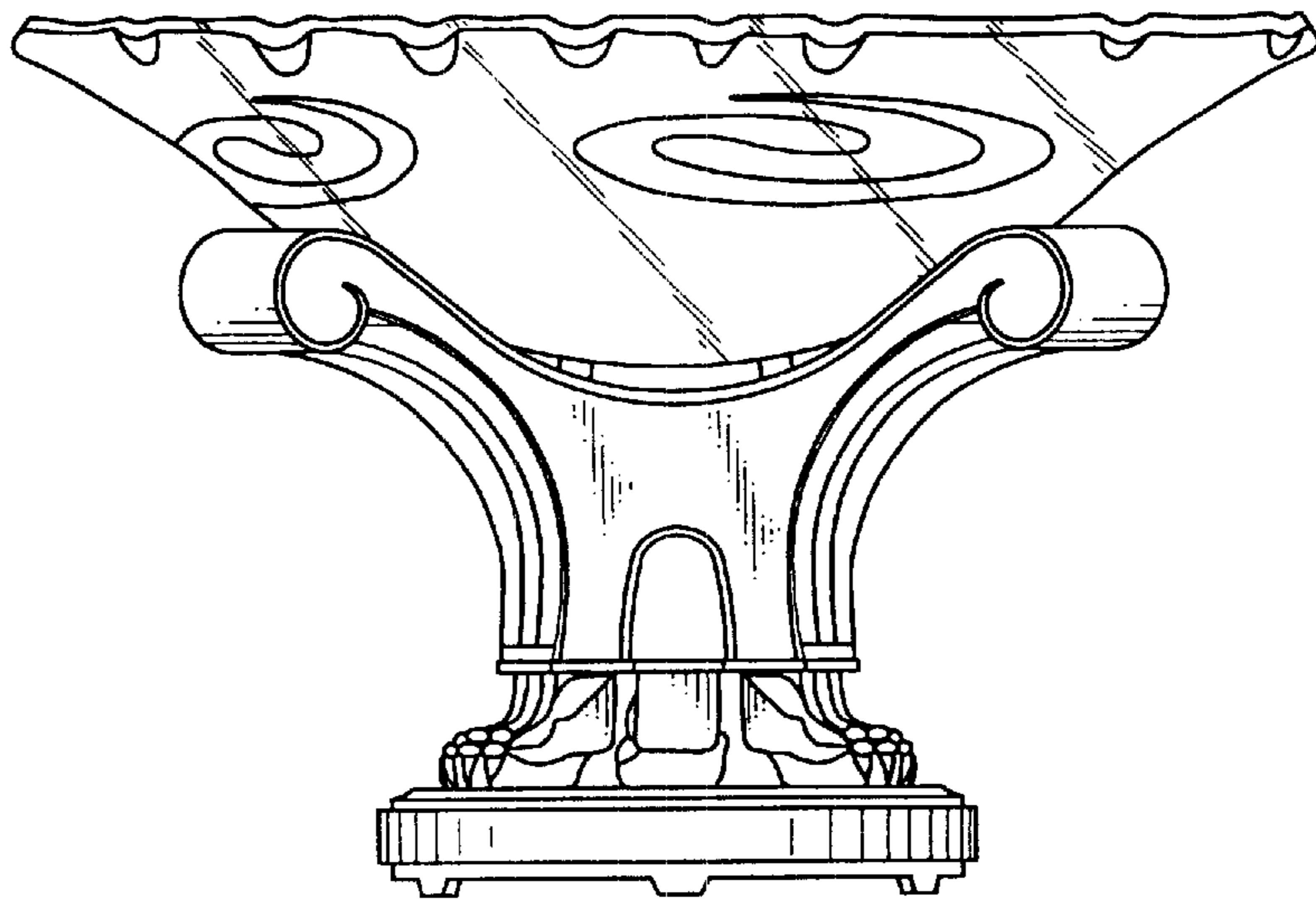


FIG. 3

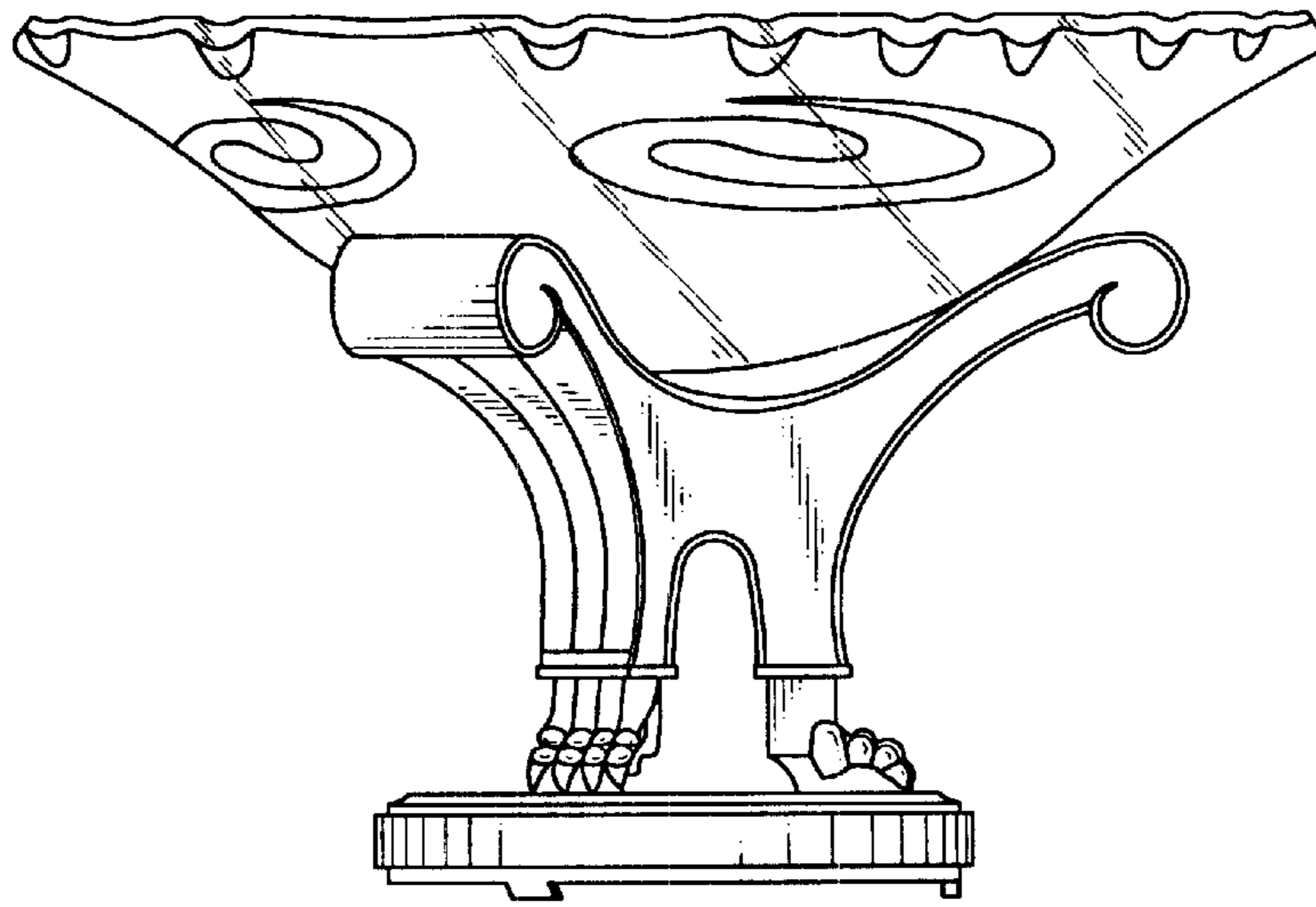


FIG. 4

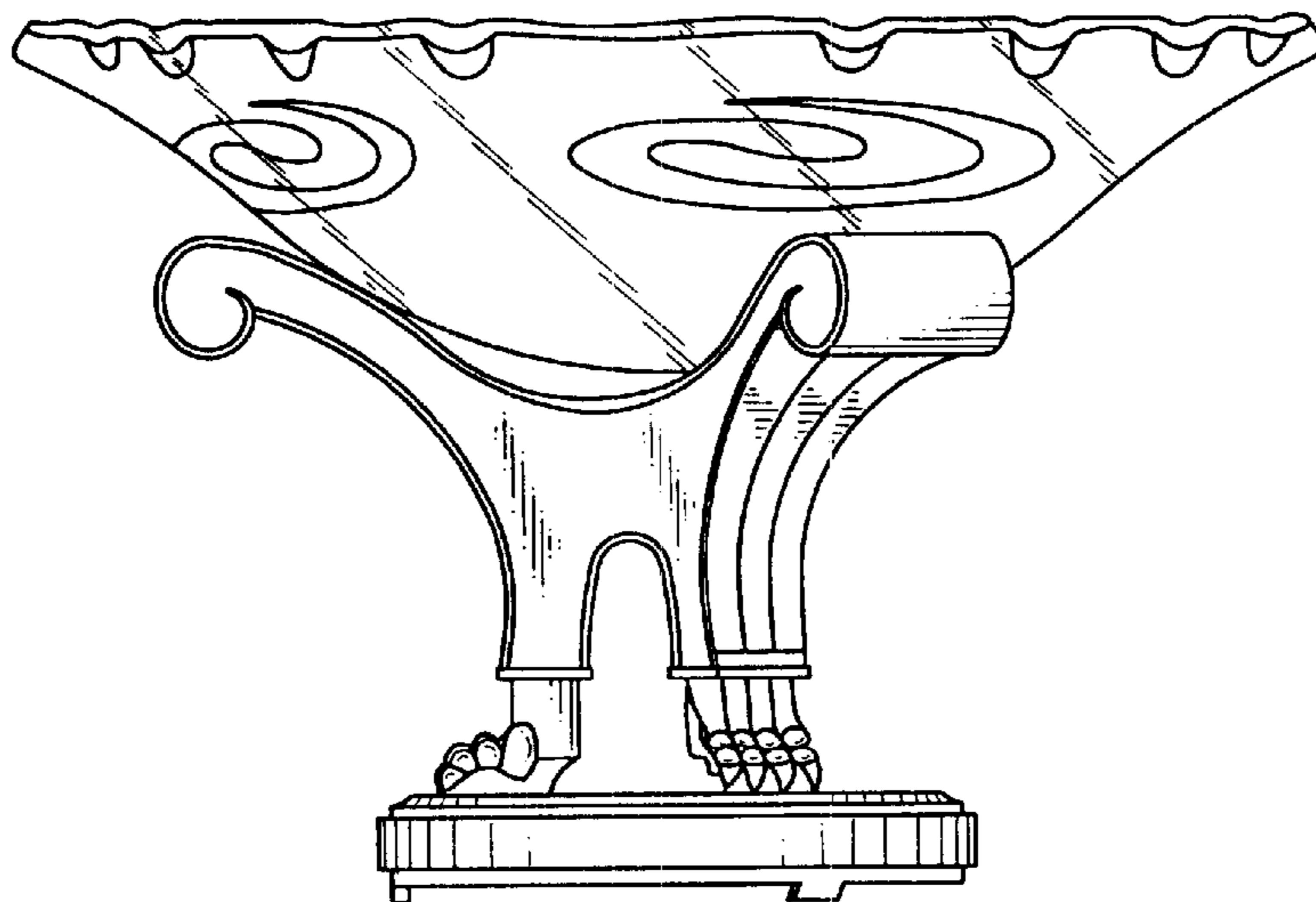


FIG. 5



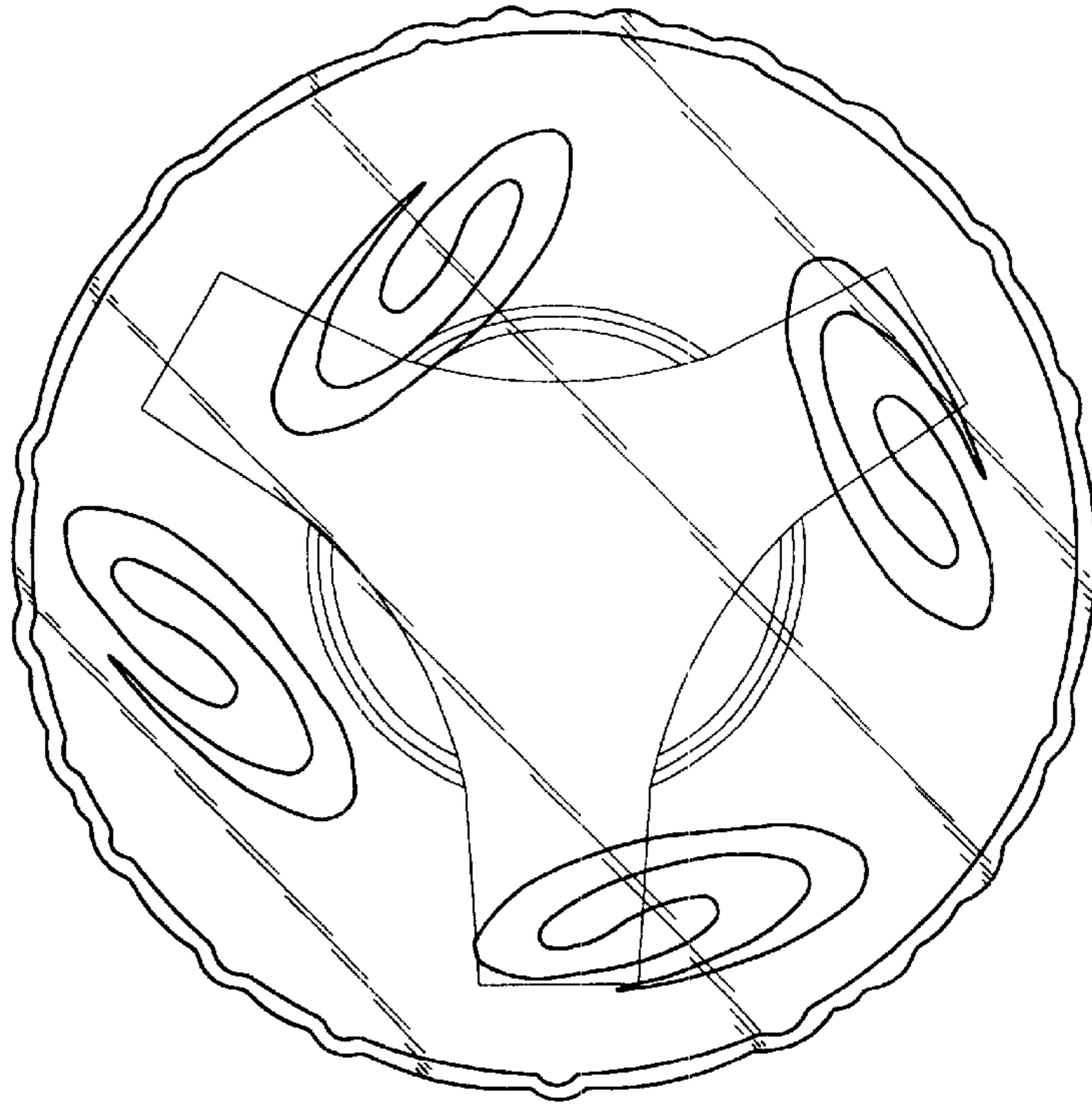


FIG. 6

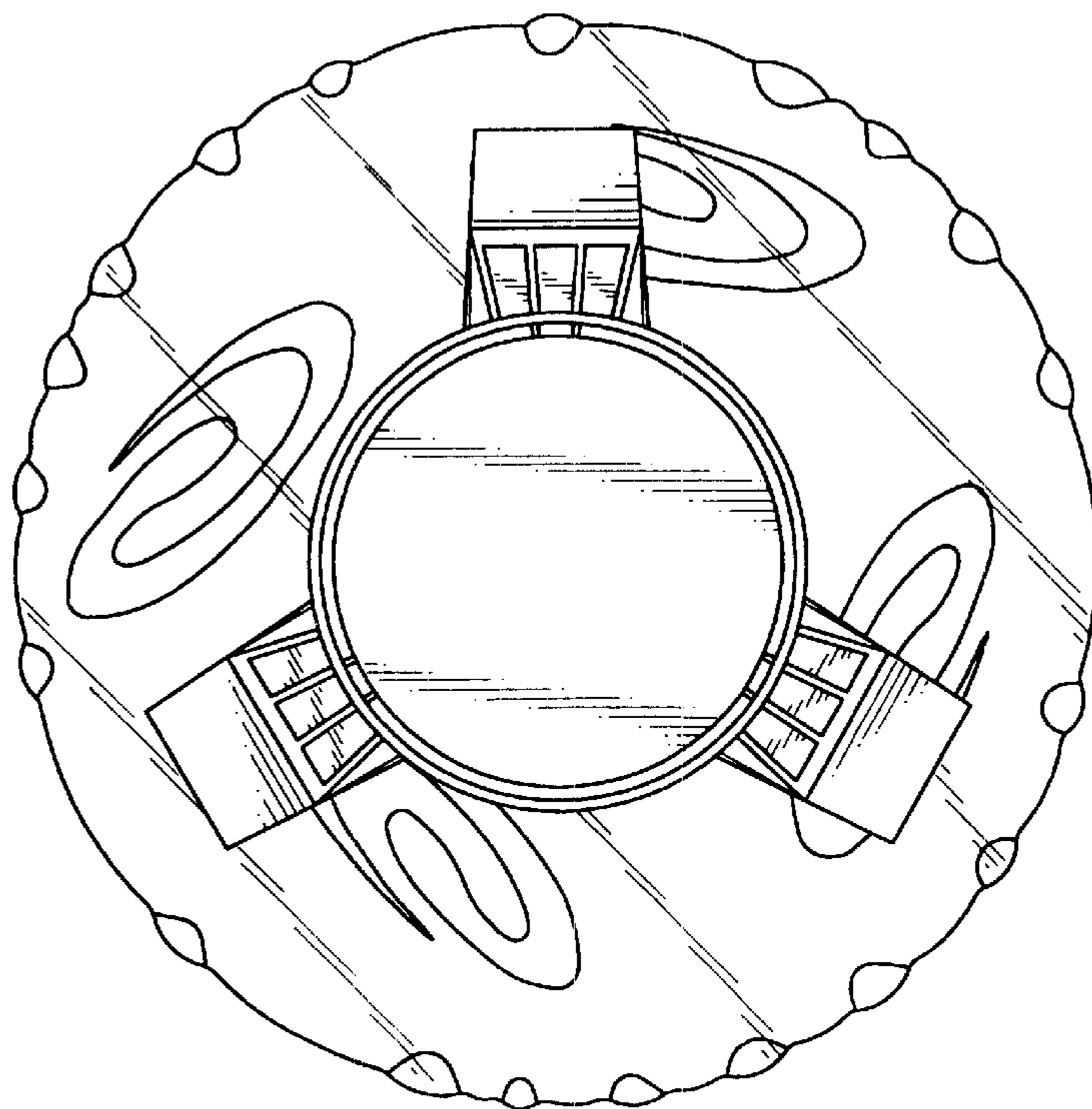


FIG. 7