



US00D461683S

(12) **United States Design Patent**
Bodum

(10) **Patent No.:** **US D461,683 S**

(45) **Date of Patent:** **** Aug. 20, 2002**

(54) **CUP**

(75) **Inventor:** **Jørgen Bodum, St. Niklausen (CH)**

(73) **Assignee:** **PI-Design AG, Triengen (CH)**

(**) **Term:** **14 Years**

(21) **Appl. No.:** **29/153,018**

(22) **Filed:** **Jan. 7, 2002**

(30) **Foreign Application Priority Data**

Jul. 18, 2001 (DK) MA 2001 00681

(51) **LOC (7) Cl.** **07-01**

(52) **U.S. Cl.** **D7/507; D7/536**

(58) **Field of Search** D7/510, 511, 514,
D7/533, 536, 507, 509, 605; 220/729, 23.86,
737, 711, 713, 703, 715, 719, 710.5, 23.83;
206/217; 210/474

(56) **References Cited**

U.S. PATENT DOCUMENTS

- D84,864 S * 8/1931 Wesp D7/536
- D98,607 S * 2/1936 Moser-benedikt D7/536
- D100,852 S * 8/1936 Cowan D7/536

- 2,151,023 A * 3/1939 Gibson 220/23.83
- 4,685,583 A * 8/1987 Noon 220/710.5
- D439,473 S * 3/2001 Lin D7/510
- D443,796 S * 6/2001 Lin D7/510
- D444,349 S * 7/2001 Lin D7/510
- D444,673 S * 7/2001 Lin D7/510
- D455,049 S * 4/2002 Kell D7/536

* cited by examiner

Primary Examiner—M. N. Pandozzi

(74) *Attorney, Agent, or Firm*—Nath & Associates PLLC;
Gary M. Nath; Marvin C. Berkowitz

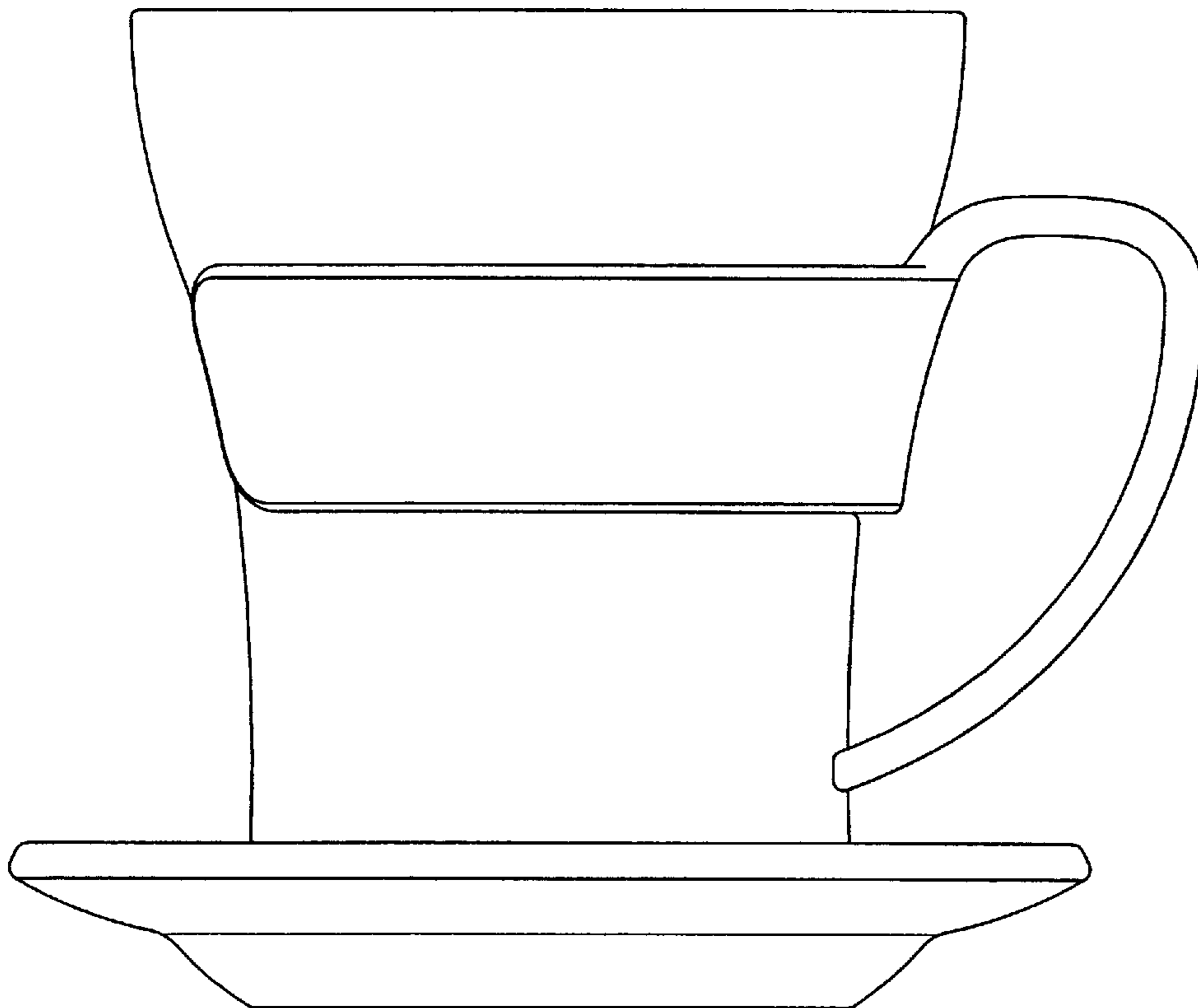
(57) **CLAIM**

The ornamental design for a cup, as shown and described.

DESCRIPTION

FIG. 1 is an oblique perspective view of the cup;
FIG. 2 is a right side view of the cup, as shown in FIG. 1;
FIG. 3 is a left side view of the cup;
FIG. 4 is a front side view of the cup;
FIG. 5 is a back side view of the cup;
FIG. 6 is a top view of the cup; and,
FIG. 7 is a bottom view of the cup.

1 Claim, 7 Drawing Sheets



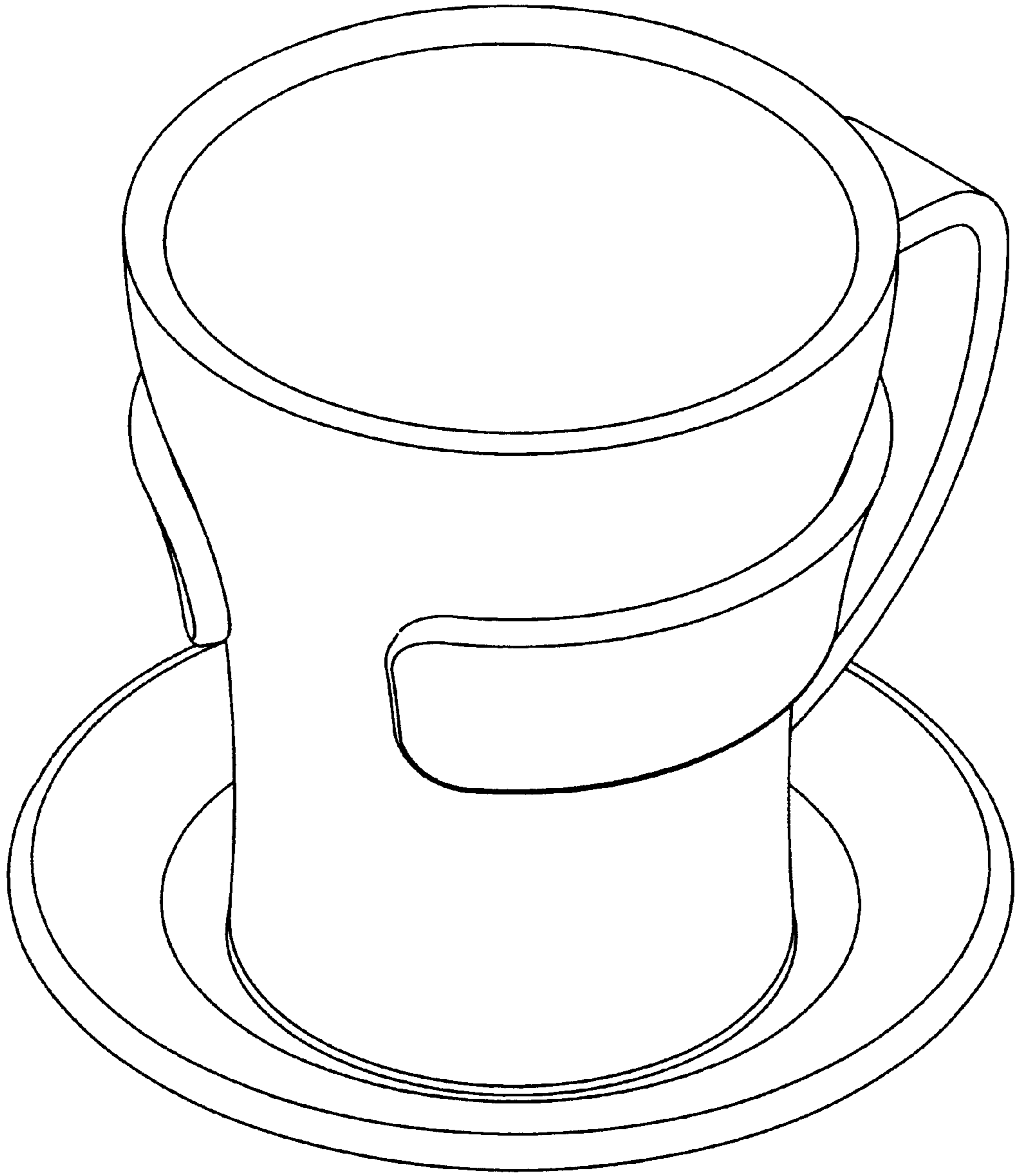


Fig. 1

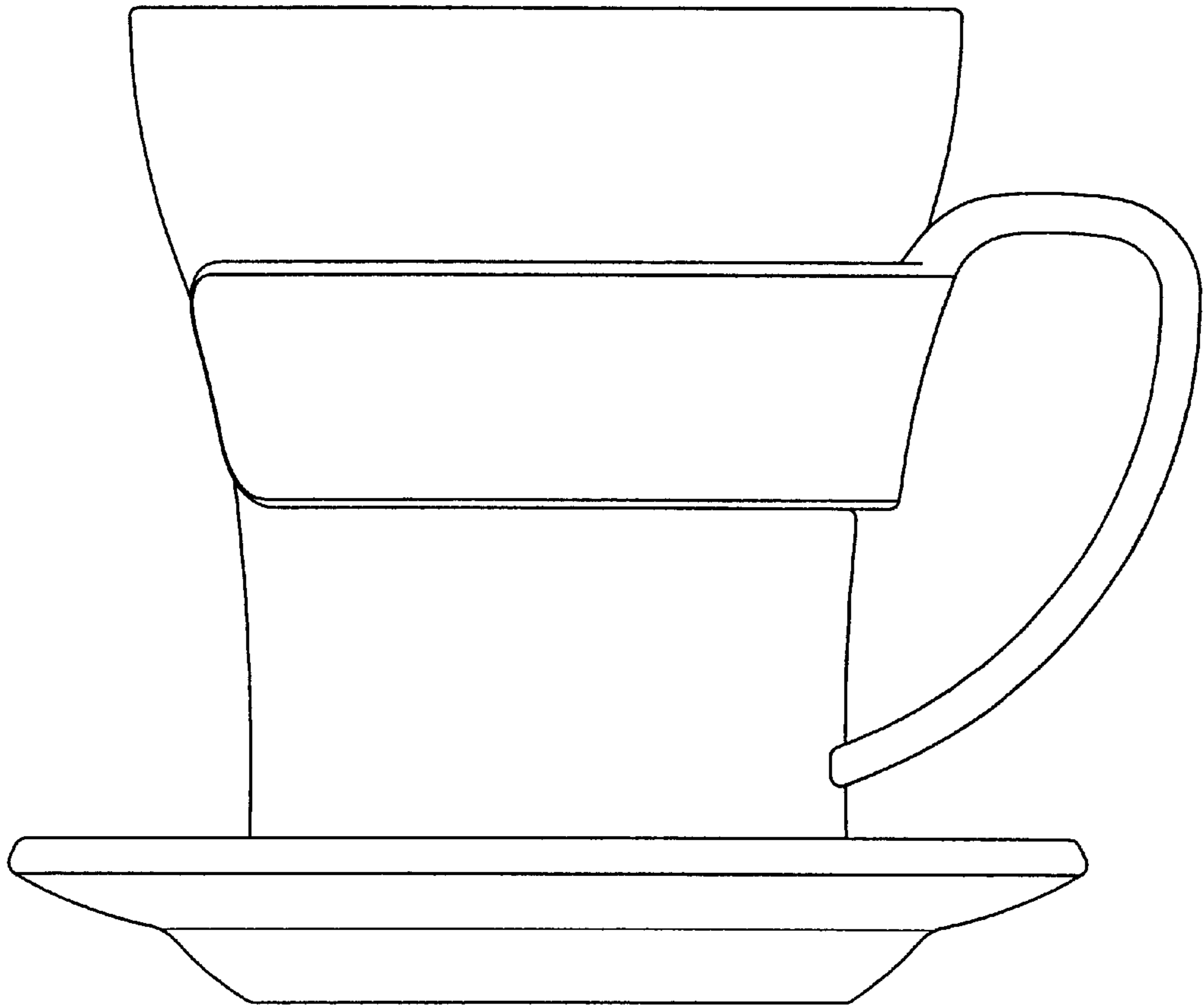


Fig. 2

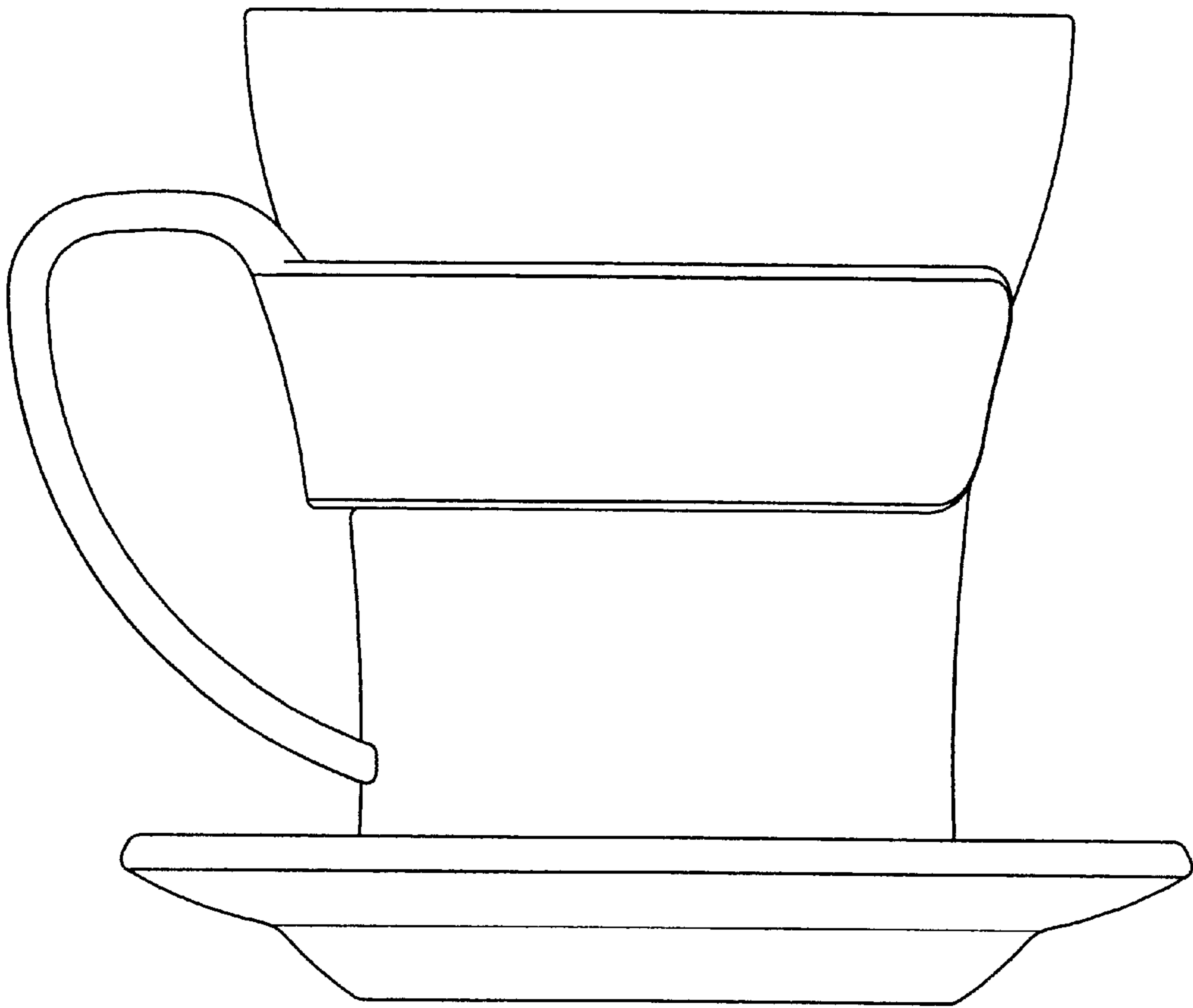


Fig. 3

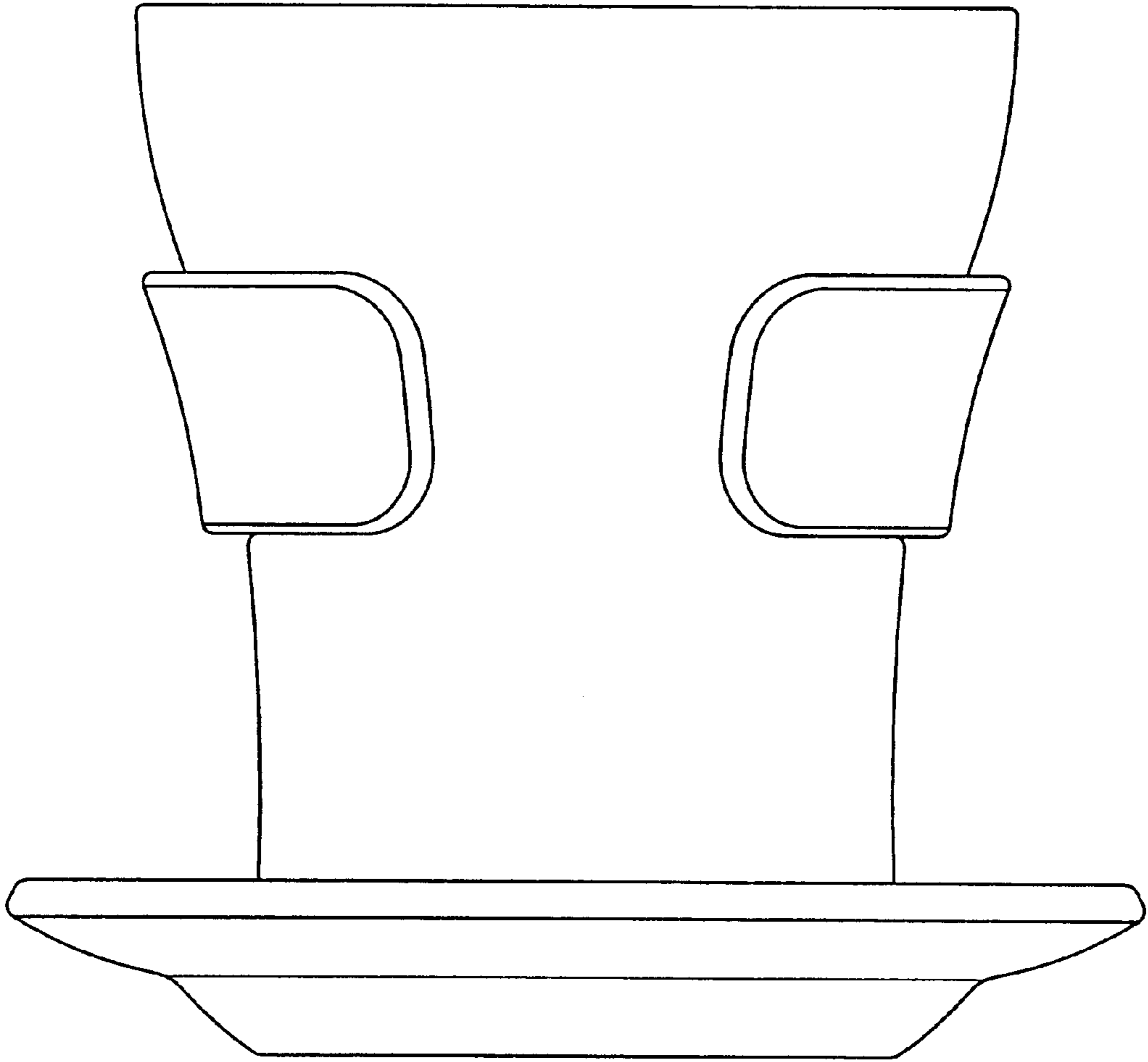


Fig. 4

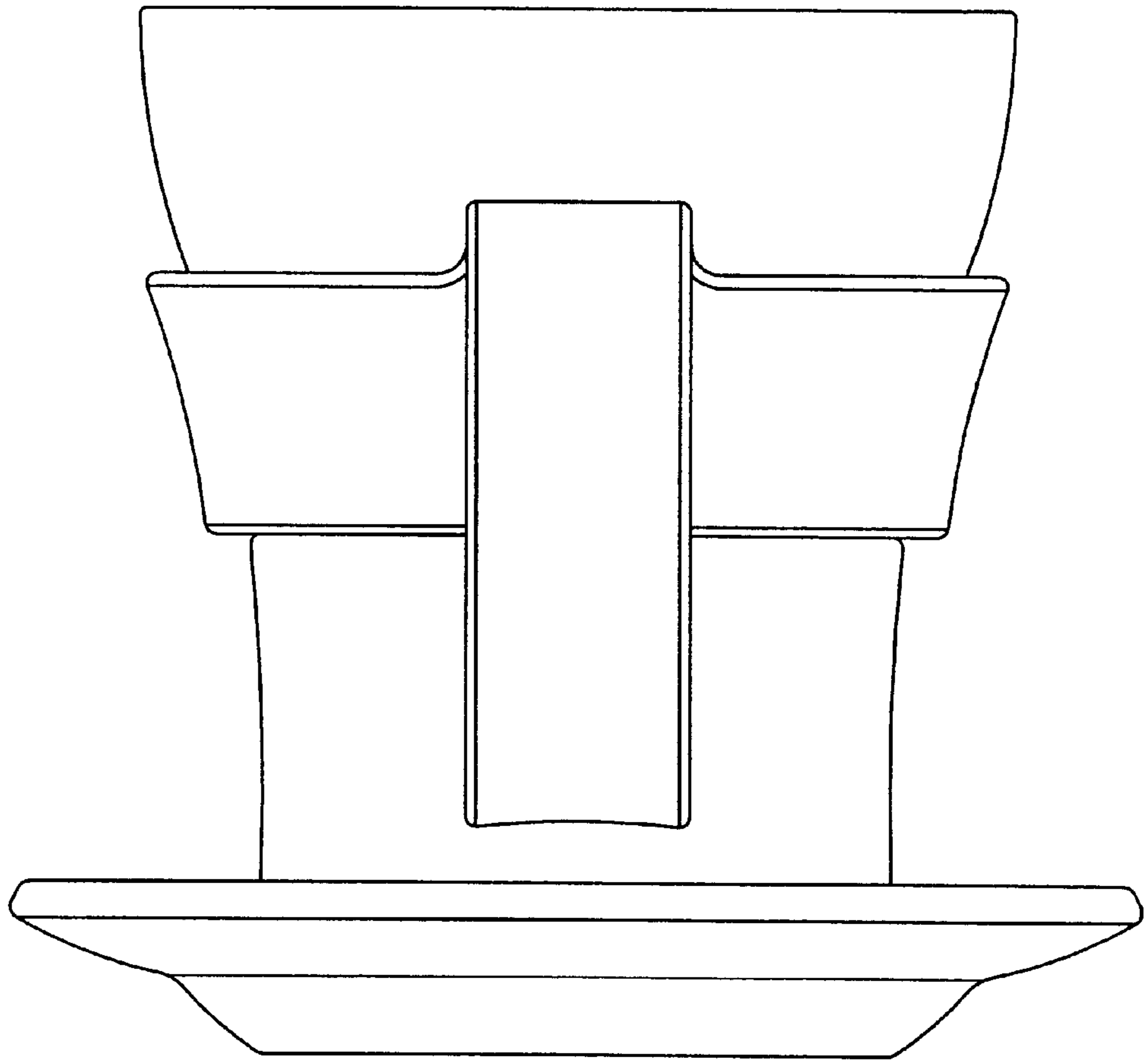


Fig. 5

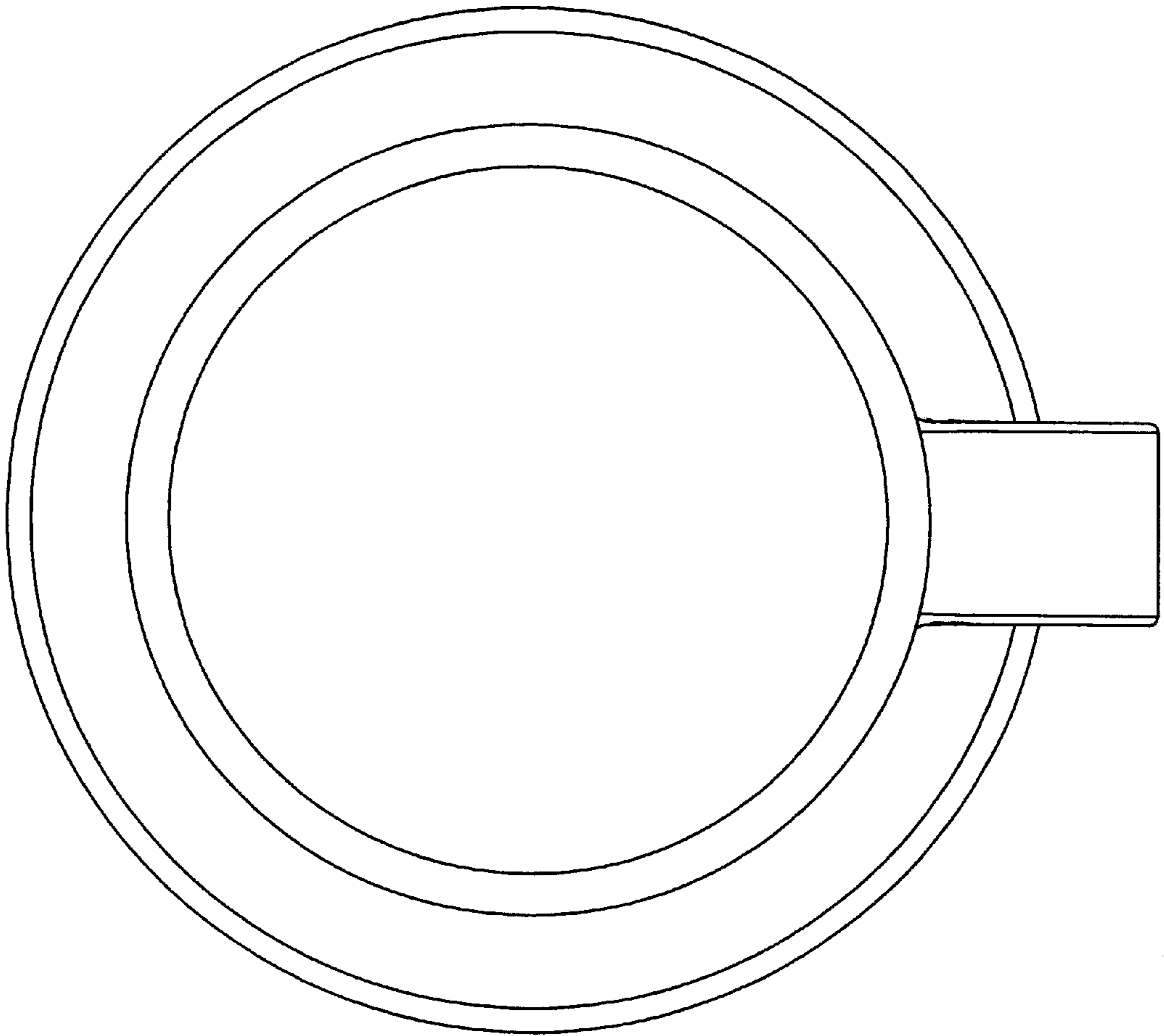


Fig. 6

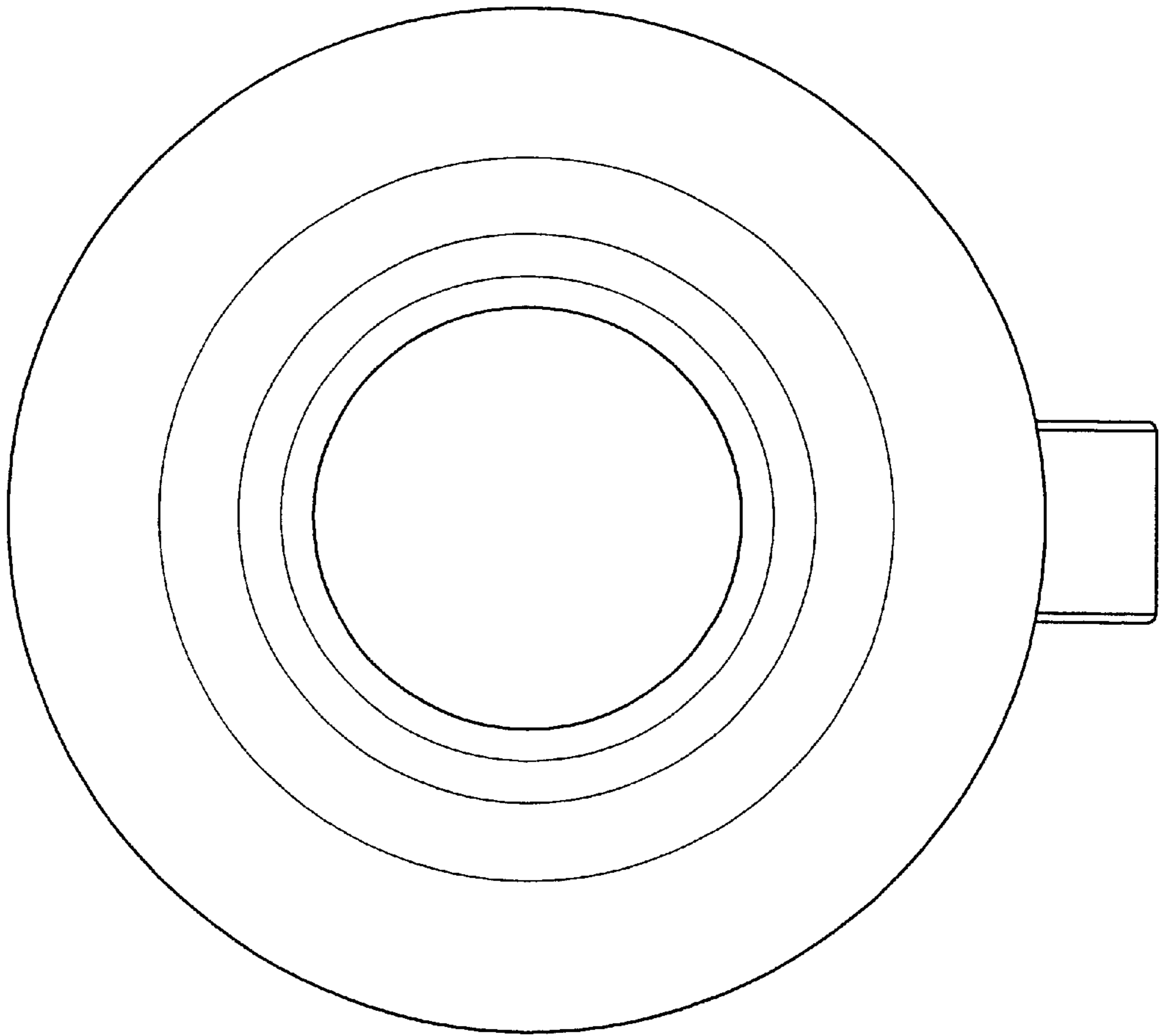


Fig. 7