



US00D461682S

(12) **United States Design Patent**
Fandrey

(10) **Patent No.:** **US D461,682 S**

(45) **Date of Patent:** **** Aug. 20, 2002**

(54) **CAN HOLDER AND SUPPORT FOR COOKING FOWL**

6,192,792 B1 2/2001 Gremillion

OTHER PUBLICATIONS

(75) Inventor: **Ronald Fandrey**, Downers Grove, IL (US)

Beer Can Chicken Cooker "Captain Steve's Beer Can Chicken Roaster;" posted at web site: <http://myweb.ecomplanet.com/BCCC9931/default.asp>; copyrighted 2000.

(73) Assignee: **Ronald Fandry**, Downers Grove, IL (US)

Beer Can Chicken Cooker "Cooking Photos;" posted at web site: <http://myweb.ecomplanet.com/BCCC9931/default.asp?display=mycustompage0001>; copyrighted 2000.

(**) Term: **14 Years**

Beer Can Chicken Roaster article posted at web site: www.floridakeys.com; Islamorada, Florida.

(21) Appl. No.: **29/142,512**

* cited by examiner

(22) Filed: **May 25, 2001**

(51) **LOC (7) Cl.** **07-02**

Primary Examiner—Caron D. Veynar

(52) **U.S. Cl.** **D7/409; D7/323**

(74) *Attorney, Agent, or Firm*—Polit & Associates, LLC

(58) **Field of Search** D7/323, 354-361, D7/409, 547; 99/415, 440, 426, 425, 419; 426/420, 509; 219/10.55 E, 725

(57) **CLAIM**

The ornamental design for a can holder and support for cooking fowl, as shown and described.

(56) **References Cited**

DESCRIPTION

U.S. PATENT DOCUMENTS

2,821,904 A	2/1958	Arcabosso	
3,143,059 A *	8/1964	Sofio	99/440
D199,992 S *	1/1965	Sofio	D7/547
D270,608 S *	9/1983	Spanek et al.	D7/409
4,558,197 A *	12/1985	Wyatt	219/10.55 E
D282,706 S *	2/1986	DiFede	D7/409
D286,498 S *	11/1986	Rosenkrantz	D7/409
D286,849 S *	11/1986	Sarnoff et al.	D7/409
4,633,773 A *	1/1987	Jay	99/426
4,924,768 A *	5/1990	Jay	99/425
5,106,642 A *	4/1992	Ciofalo	426/509
5,301,602 A	4/1994	Ryczek	
D347,143 S *	5/1994	Awyong	D7/403
5,893,320 A	4/1999	Demaree	
6,062,131 A	5/2000	Holland	
6,119,585 A	9/2000	Guidry	

FIG. 1 is a perspective view of a can holder and support for cooking fowl showing my new design. The broken lines showing a beverage can, a fowl, and a portion of a barbrque grill are for illustrative purposes only and form no part of the claimed design;

FIG. 2 is a top plan view thereof;

FIG. 3 is a front view thereof;

FIG. 4 is a left side view thereof;

FIG. 5 is a bottom plan view thereof;

FIG. 6 is a perspective view showing a second embodiment of the can holder and support for cooking fowl;

FIG. 7 is a top plan view thereof;

FIG. 8 is a front view thereof; and,

FIG. 9 is a bottom plan view thereof.

1 Claim, 3 Drawing Sheets

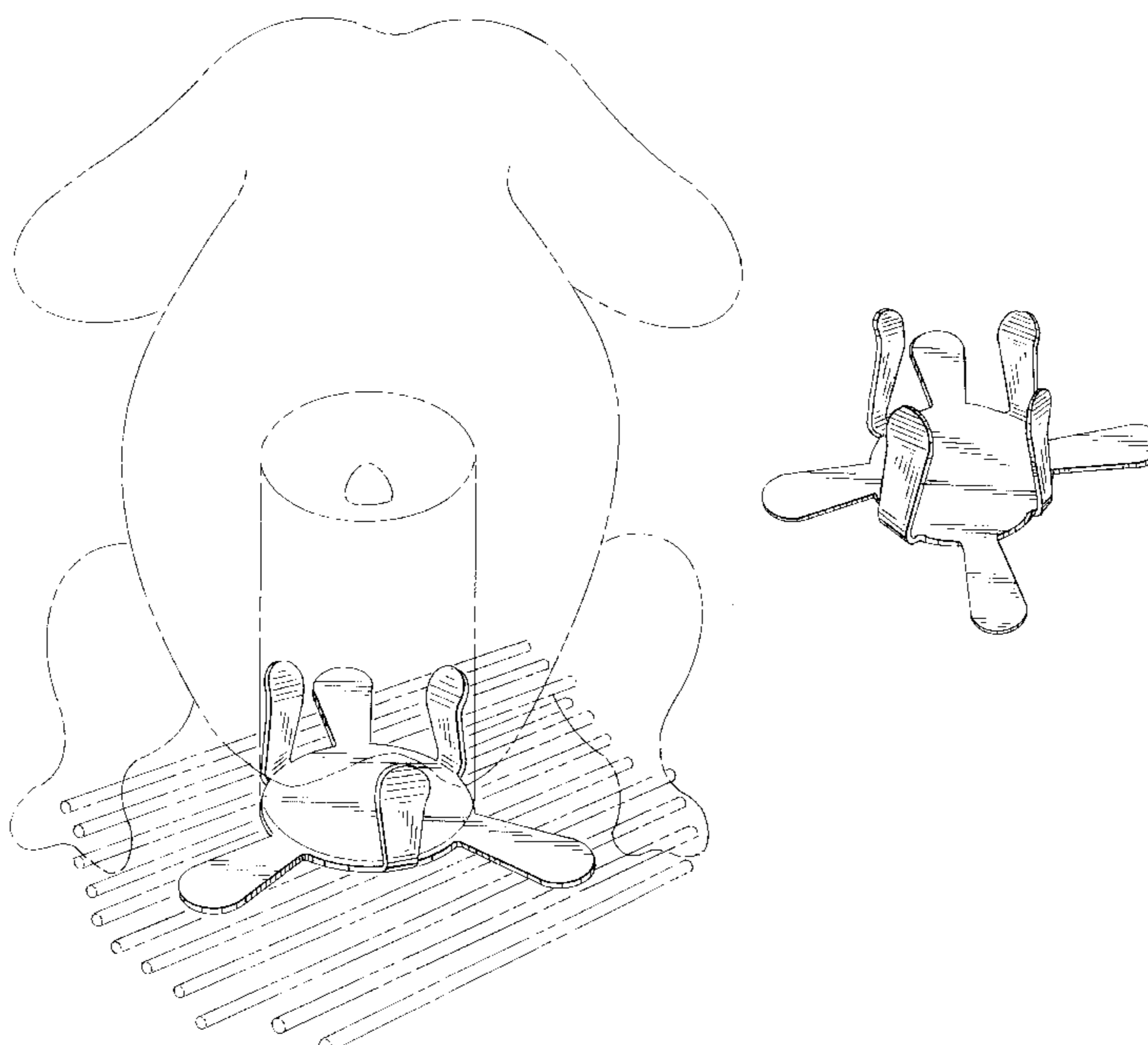


FIG. 1

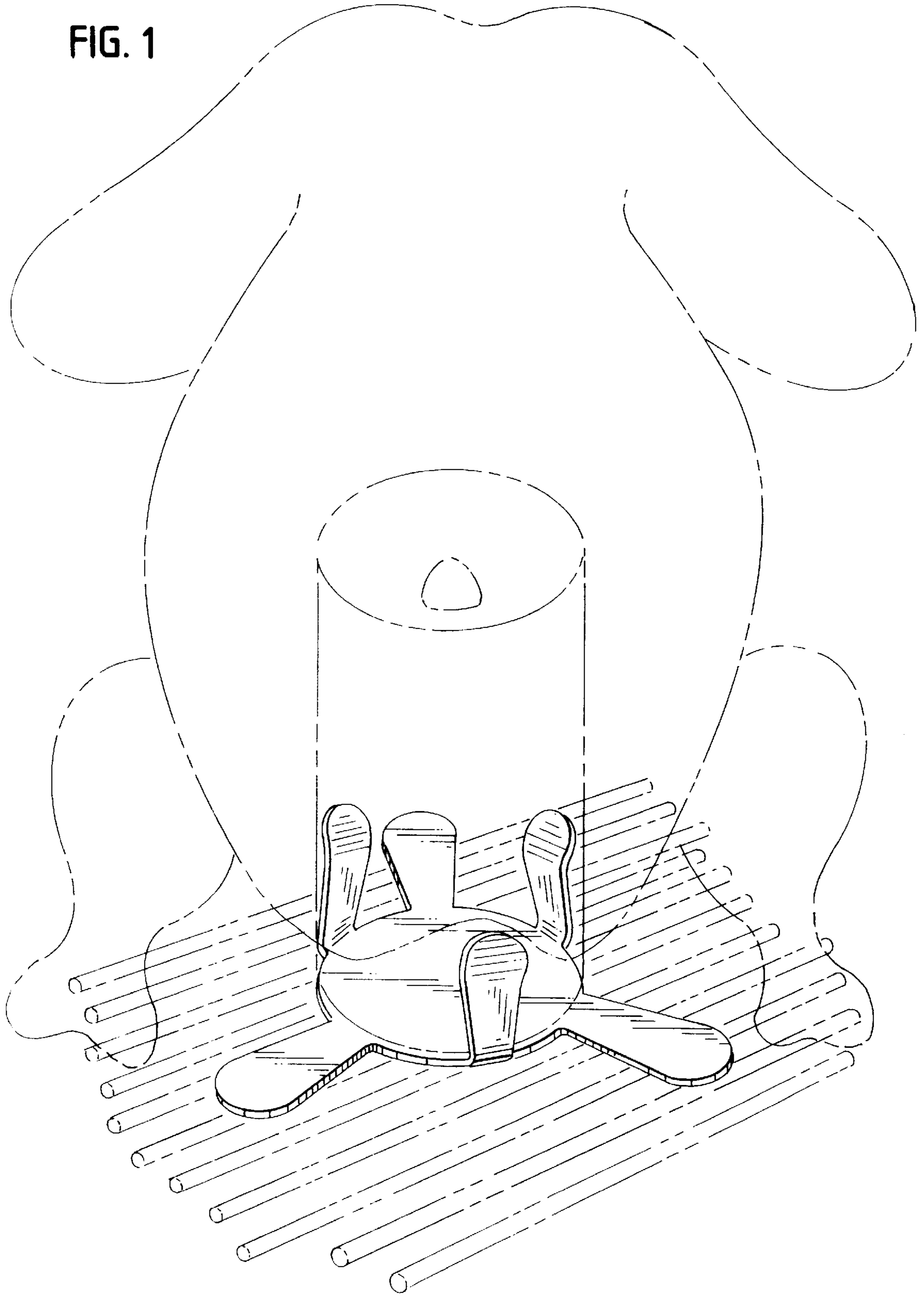


FIG. 2

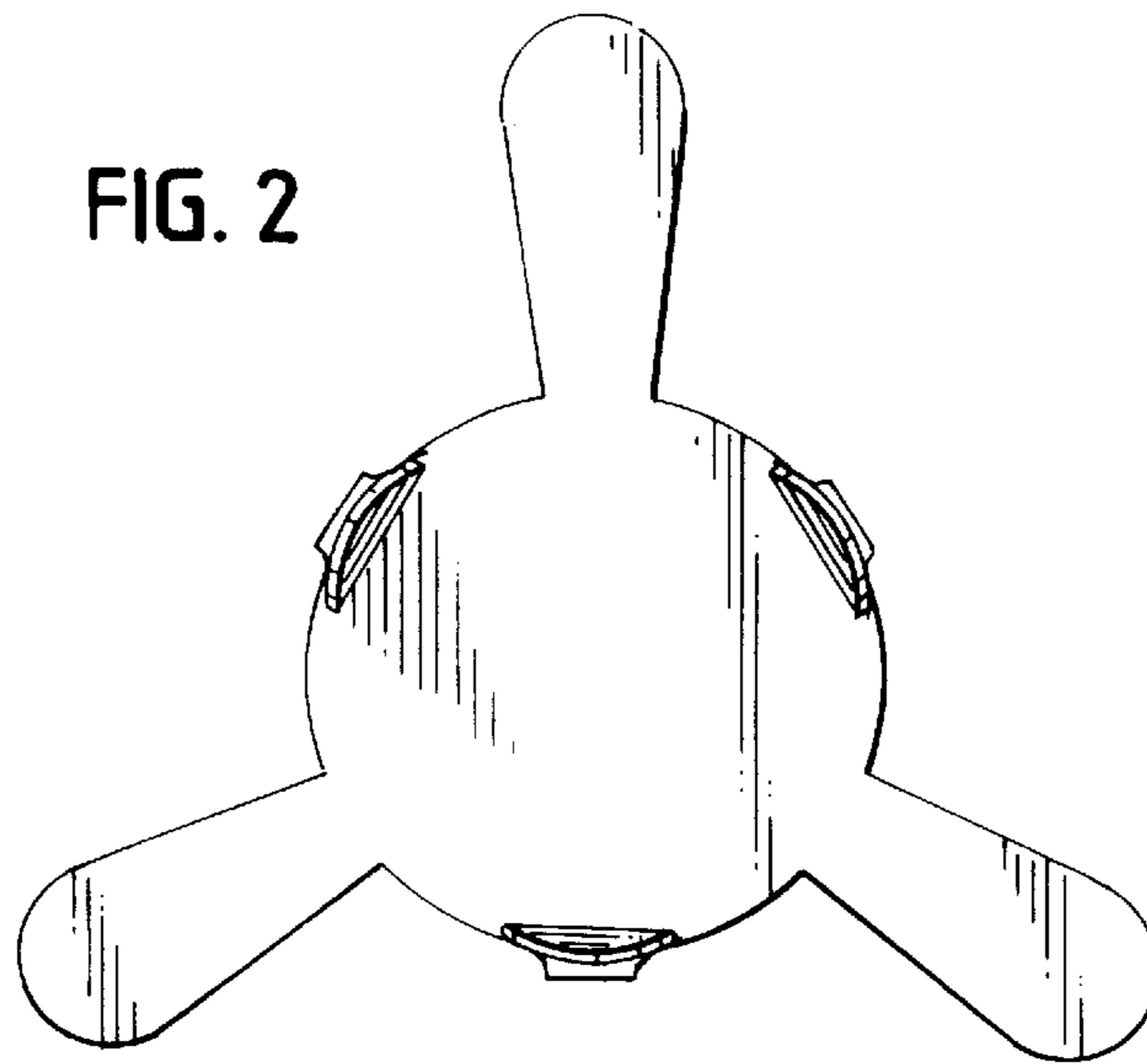


FIG. 3

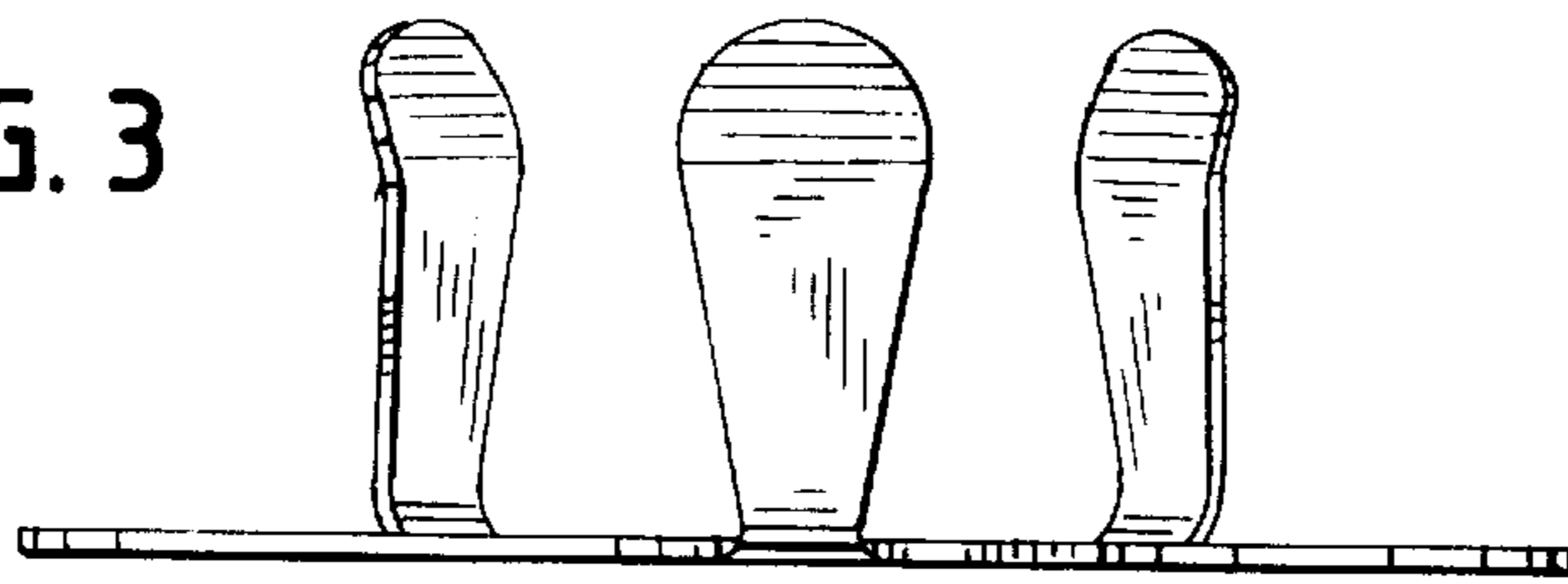


FIG. 4

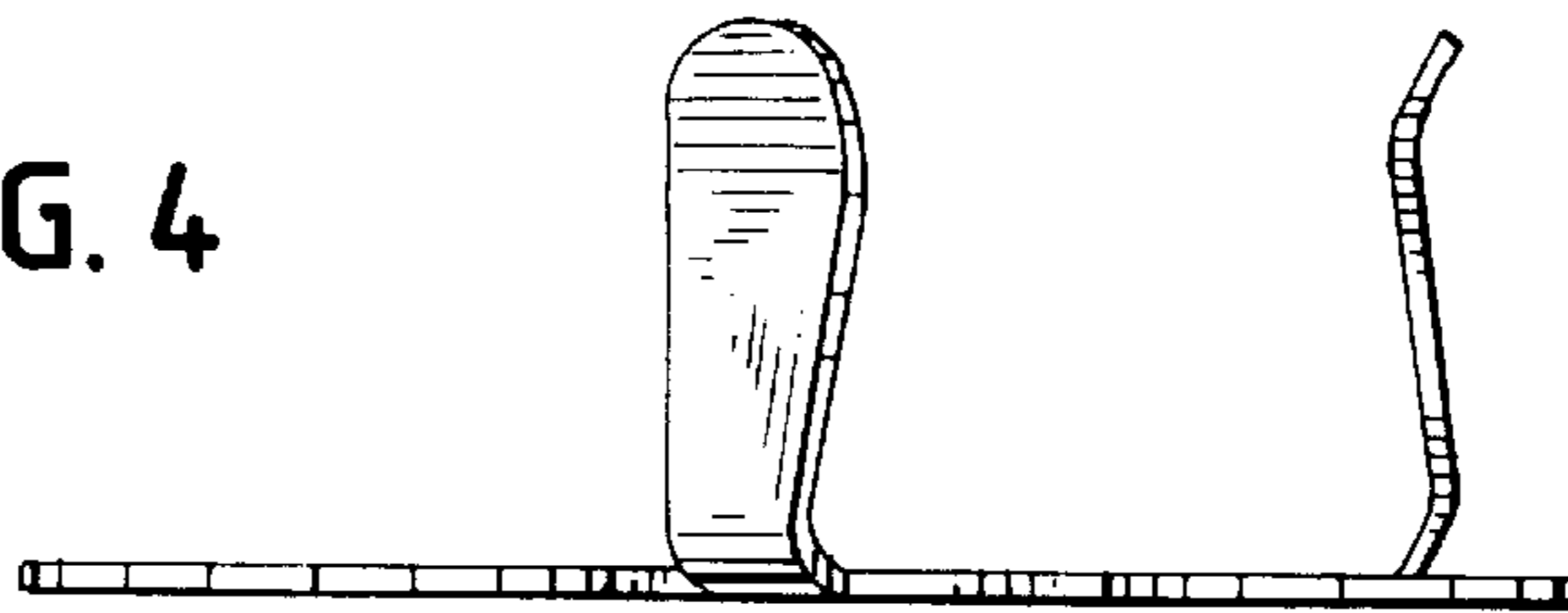


FIG. 5

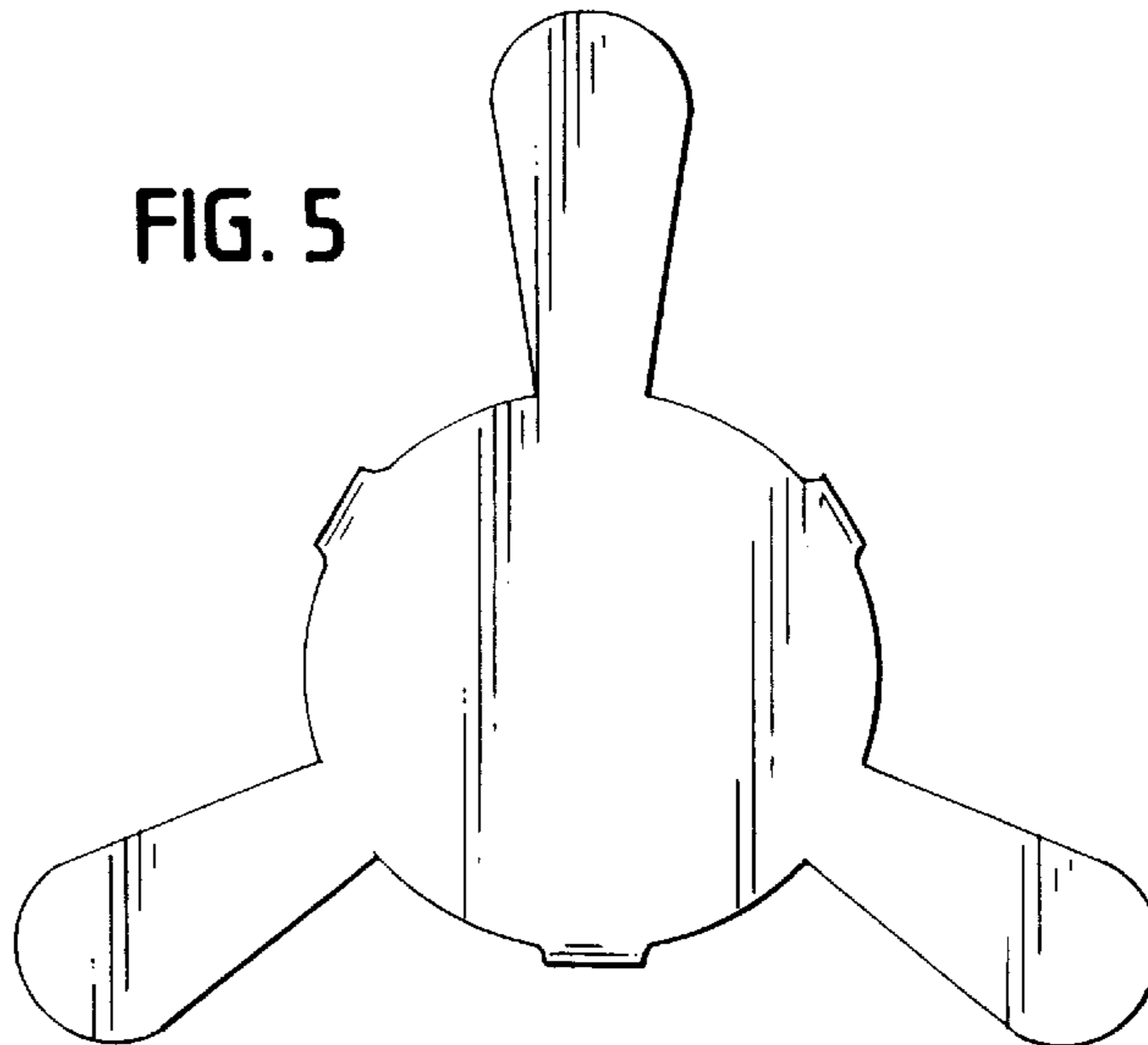


FIG. 6

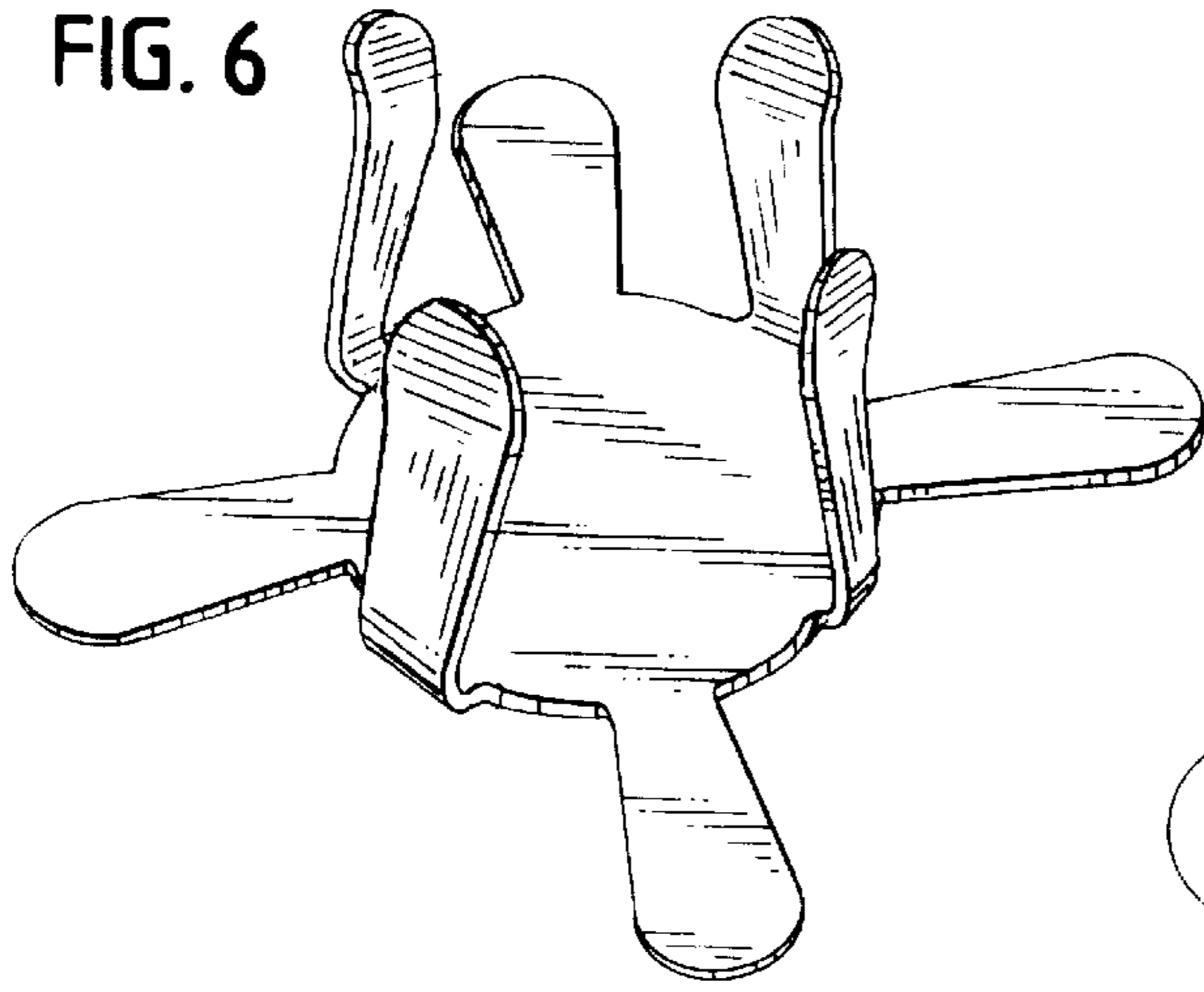


FIG. 7

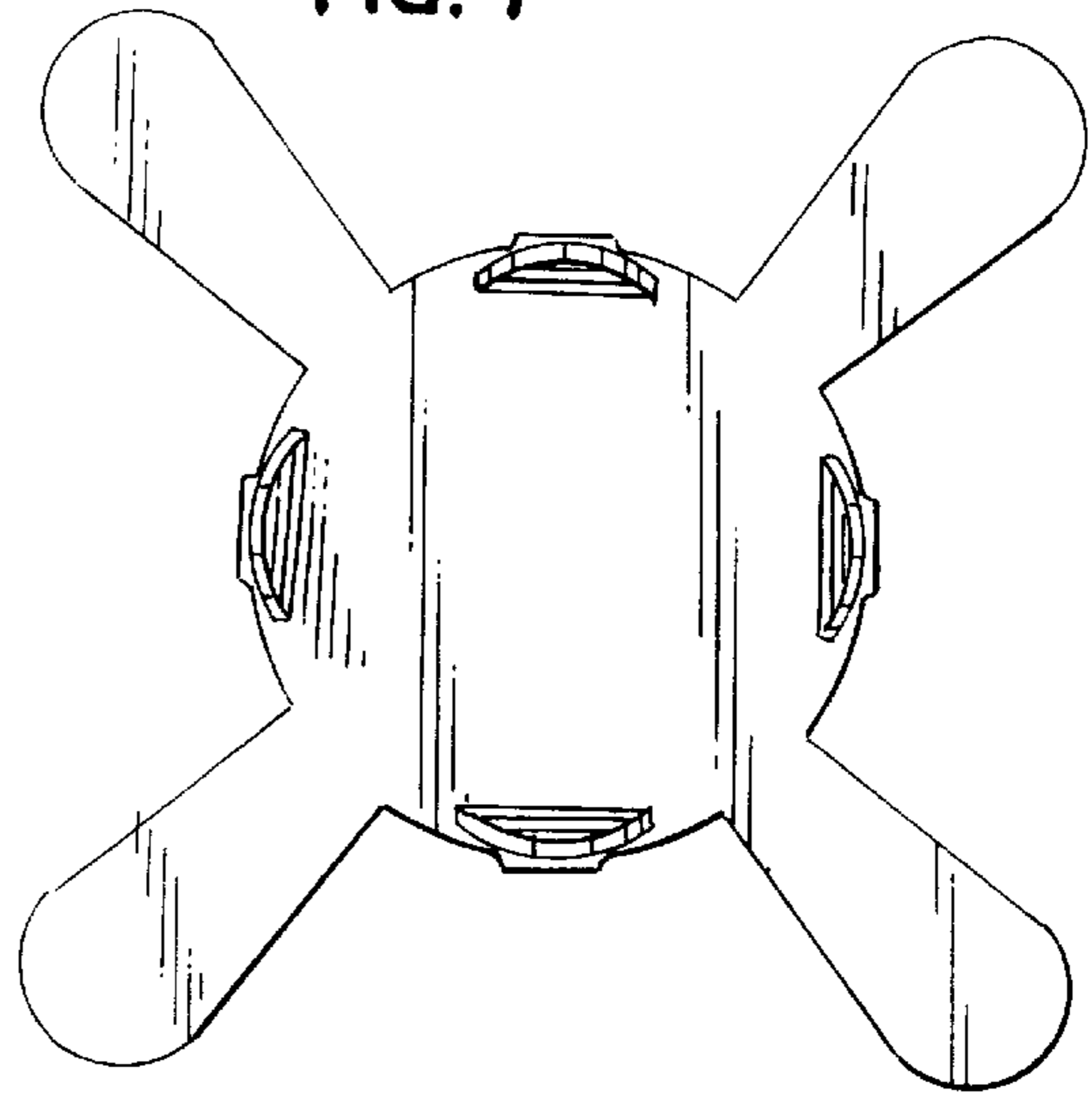


FIG. 8

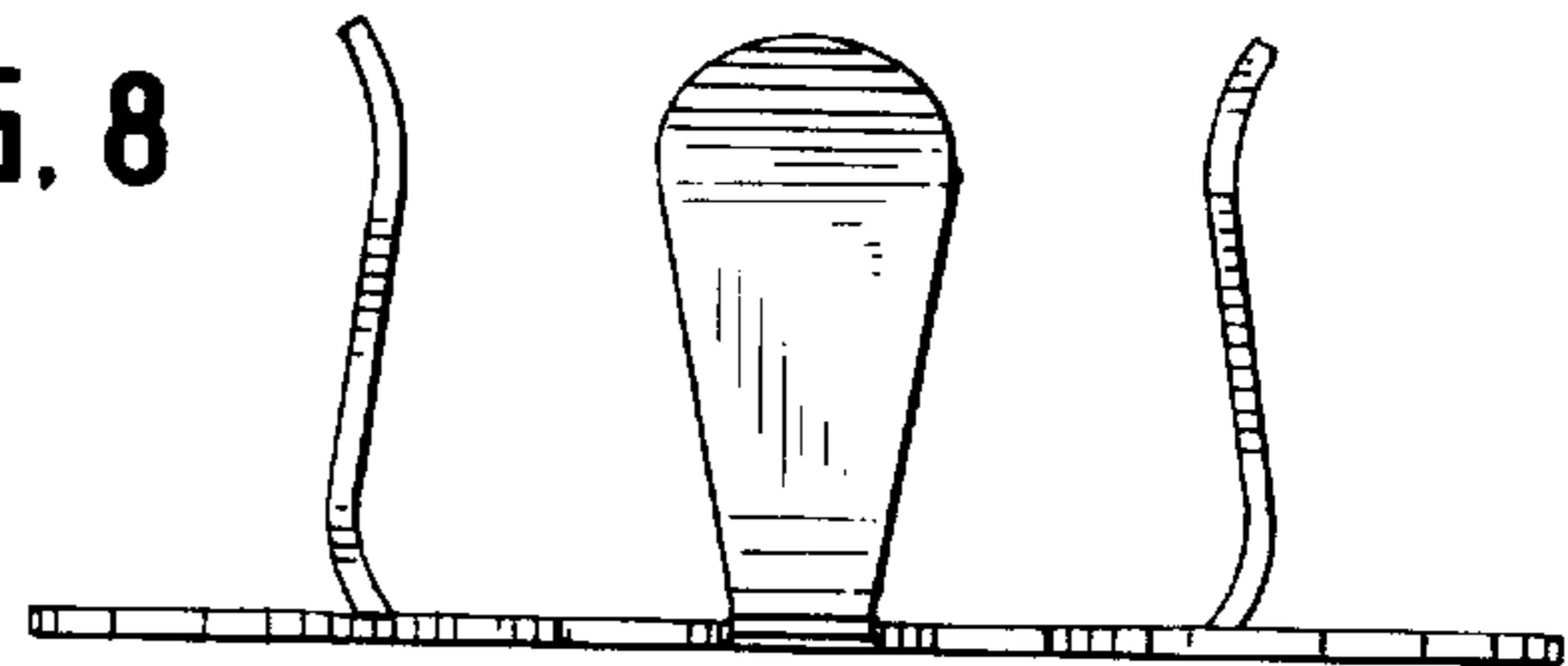


FIG. 9

