



US00D461679S

(12) **United States Design Patent**
Robinson et al.

(10) **Patent No.:** **US D461,679 S**

(45) **Date of Patent:** **** Aug. 20, 2002**

- (54) **BEVERAGE CONTAINER TOP**
- (75) Inventors: **Meredith Robinson**, San Francisco, CA (US); **Wang Ching Chen**, Tainan (TW)
- (73) Assignee: **Zak Design, Inc.**, Spokane, WA (US)
- (**) Term: **14 Years**
- (21) Appl. No.: **29/144,585**
- (22) Filed: **Jul. 6, 2001**
- (51) **LOC (7) Cl.** **07-01**
- (52) **U.S. Cl.** **D7/392.1**
- (58) **Field of Search** D7/392.1, 396.2, D7/510, 511; D9/434, 454; 215/307, 315, 388, 389, 229; 220/705-713, 784; 229/103.1, 906.1; 239/33

5,823,493 A	10/1998	Eastland, Jr. et al.	248/213.2
6,056,149 A	5/2000	Murphy et al.	220/705
6,095,368 A	8/2000	Cornell et al.	220/709
6,193,101 B1	2/2001	Murphy et al.	220/706

* cited by examiner

Primary Examiner—Terry A. Wallace
(74) *Attorney, Agent, or Firm*—Wells St. John P.S.

(57) **CLAIM**

The ornamental design for a beverage container top, as shown and described.

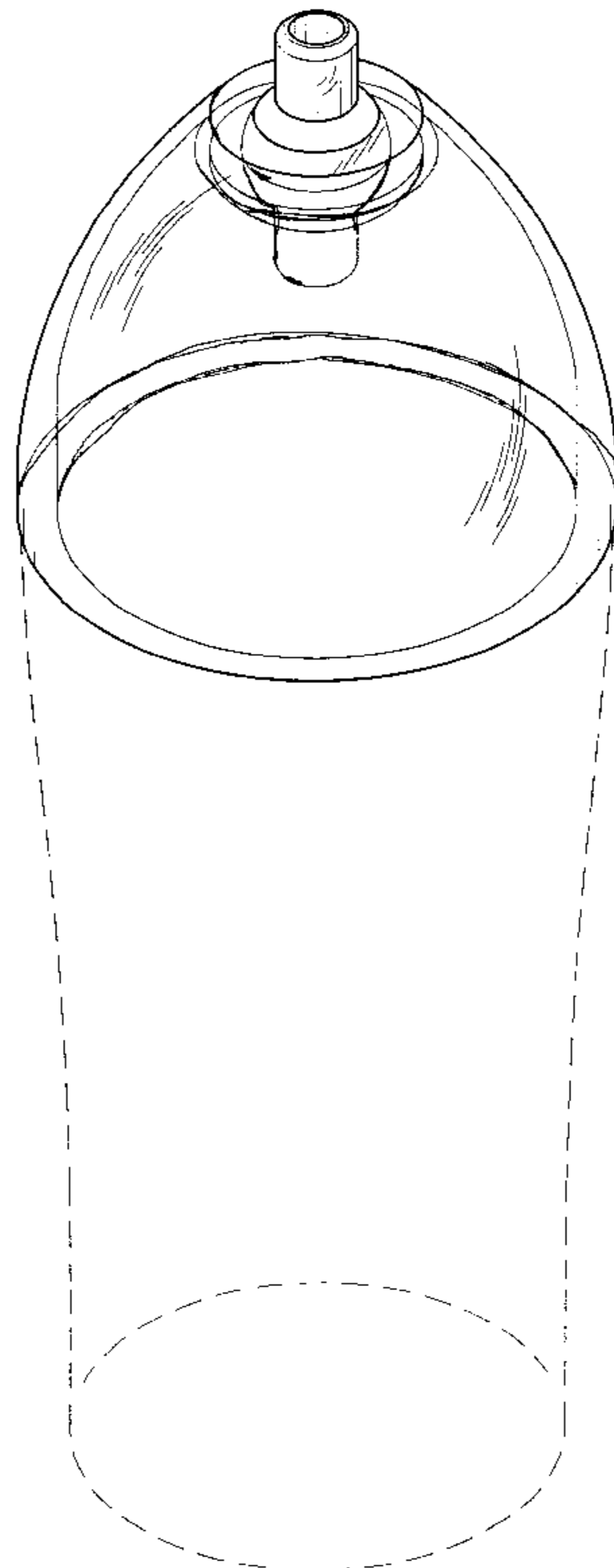
DESCRIPTION

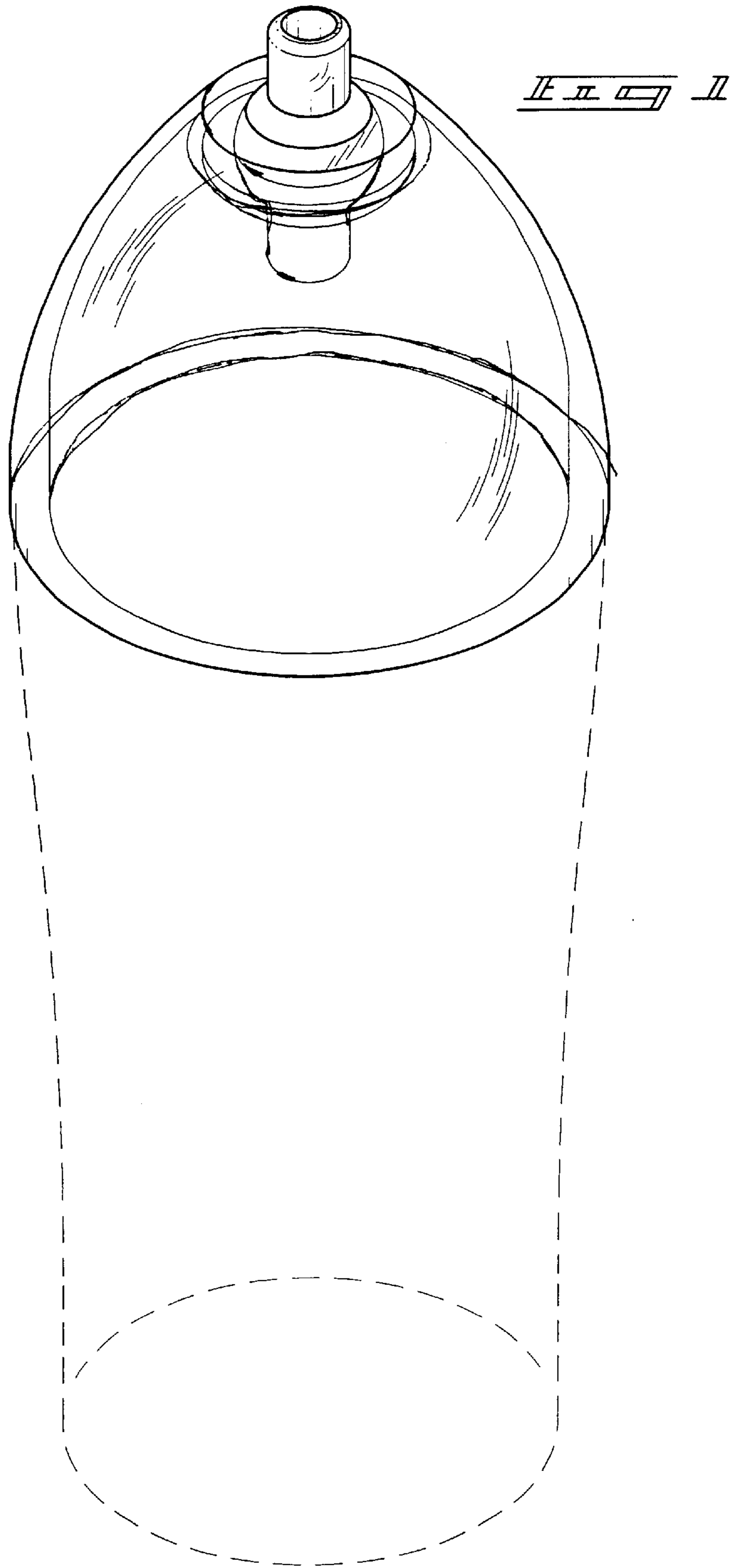
FIG. 1 is a perspective view of a beverage container top, showing our new design in a transparent or translucent configuration;
 FIG. 2 is a top plan view thereof;
 FIG. 3 is a side elevational view thereof, and additional side views are identical to FIG. 3;
 FIG. 4 is a bottom plan view thereof;
 FIG. 5 is a perspective view of an opaque configuration;
 FIG. 6 is a top plan view of an opaque configuration thereof;
 FIG. 7 is a side elevation view of the opaque configuration thereof, and additional side views are identical to FIG. 7; and,
 FIG. 8 is a bottom plan view of the opaque configuration thereof.

The broken lines are for illustrative purposes only and form no part of the claimed design.

- (56) **References Cited**
- U.S. PATENT DOCUMENTS**
- 3,240,415 A 3/1966 Pugh, Sr.
- 3,406,868 A 10/1968 Rogers
- 4,194,674 A 3/1980 Pearson 229/7 S
- 4,226,356 A 10/1980 Lemelson 229/7 S
- 4,291,814 A 9/1981 Conn 220/90.4
- 4,485,963 A 12/1984 Panicci 229/7 S
- 4,508,235 A * 4/1985 Steele et al. 220/713 X
- D318,427 S 7/1991 Sherburne, Jr. D9/436
- 5,518,142 A 5/1996 Lin 220/707
- 5,547,103 A 8/1996 Murphy et al. 220/709
- 5,582,320 A 12/1996 Lin 220/708
- 5,590,542 A * 1/1997 Wang 220/705

1 Claim, 6 Drawing Sheets





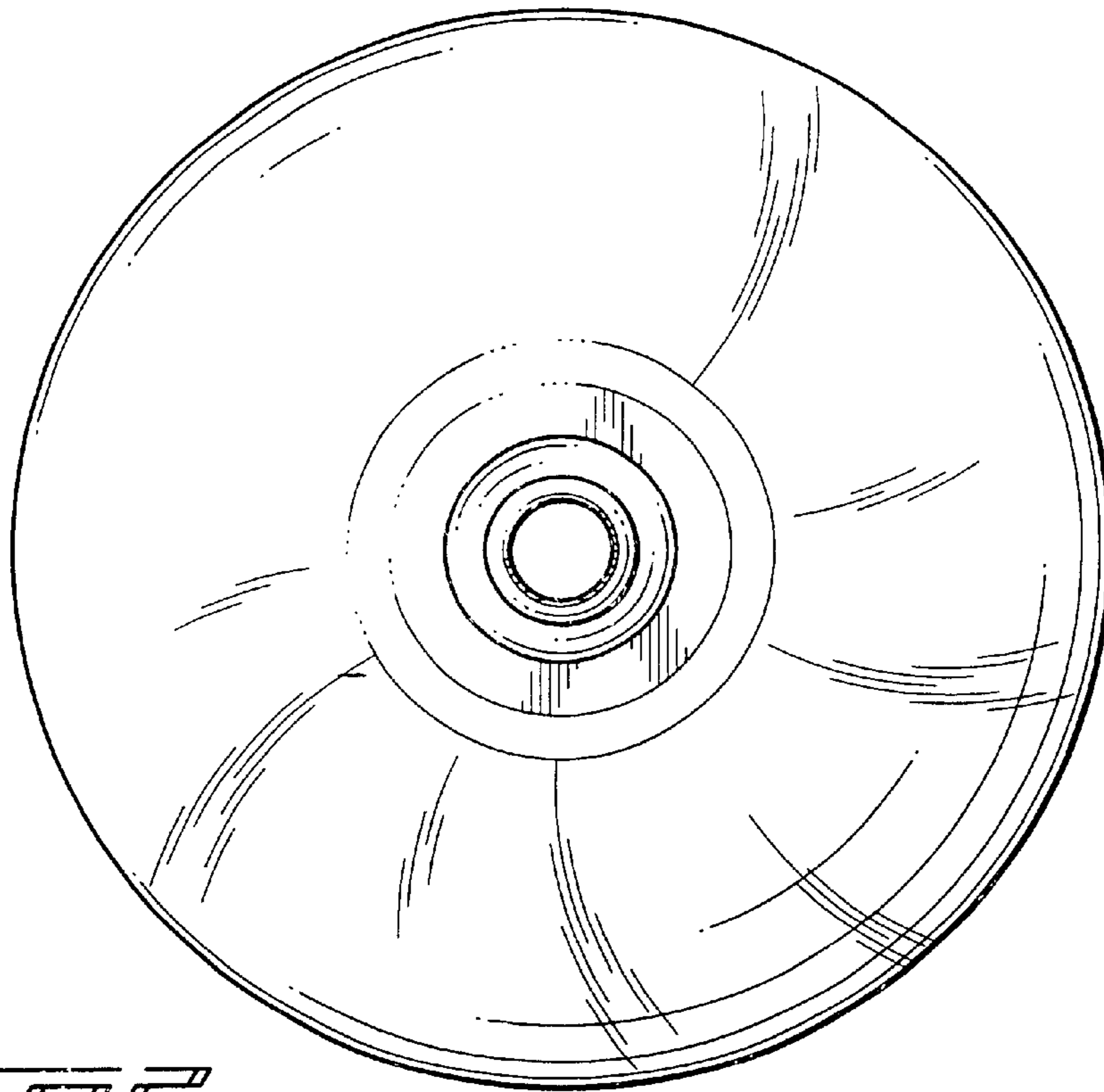


Fig. 2

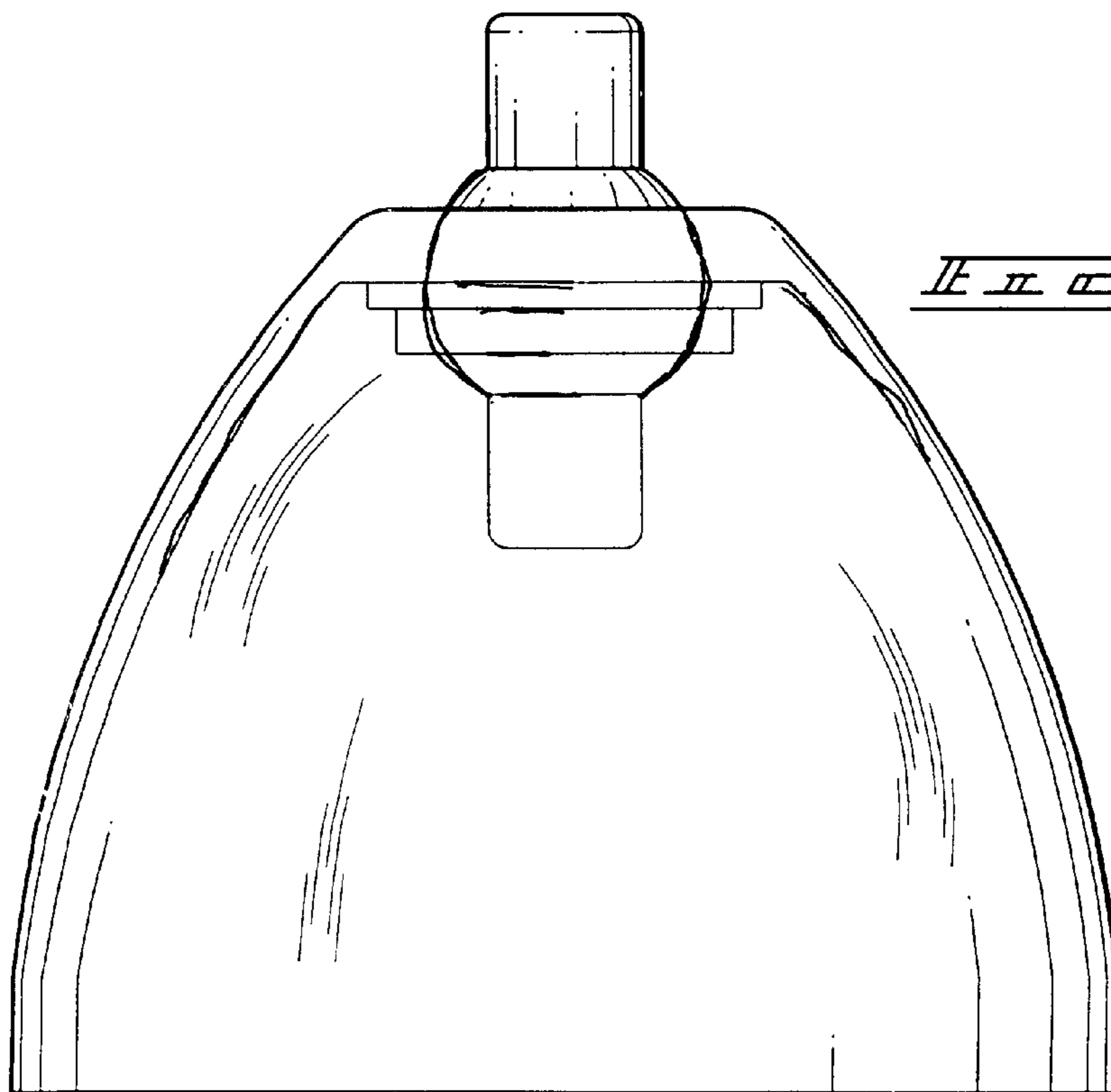


Fig. 3

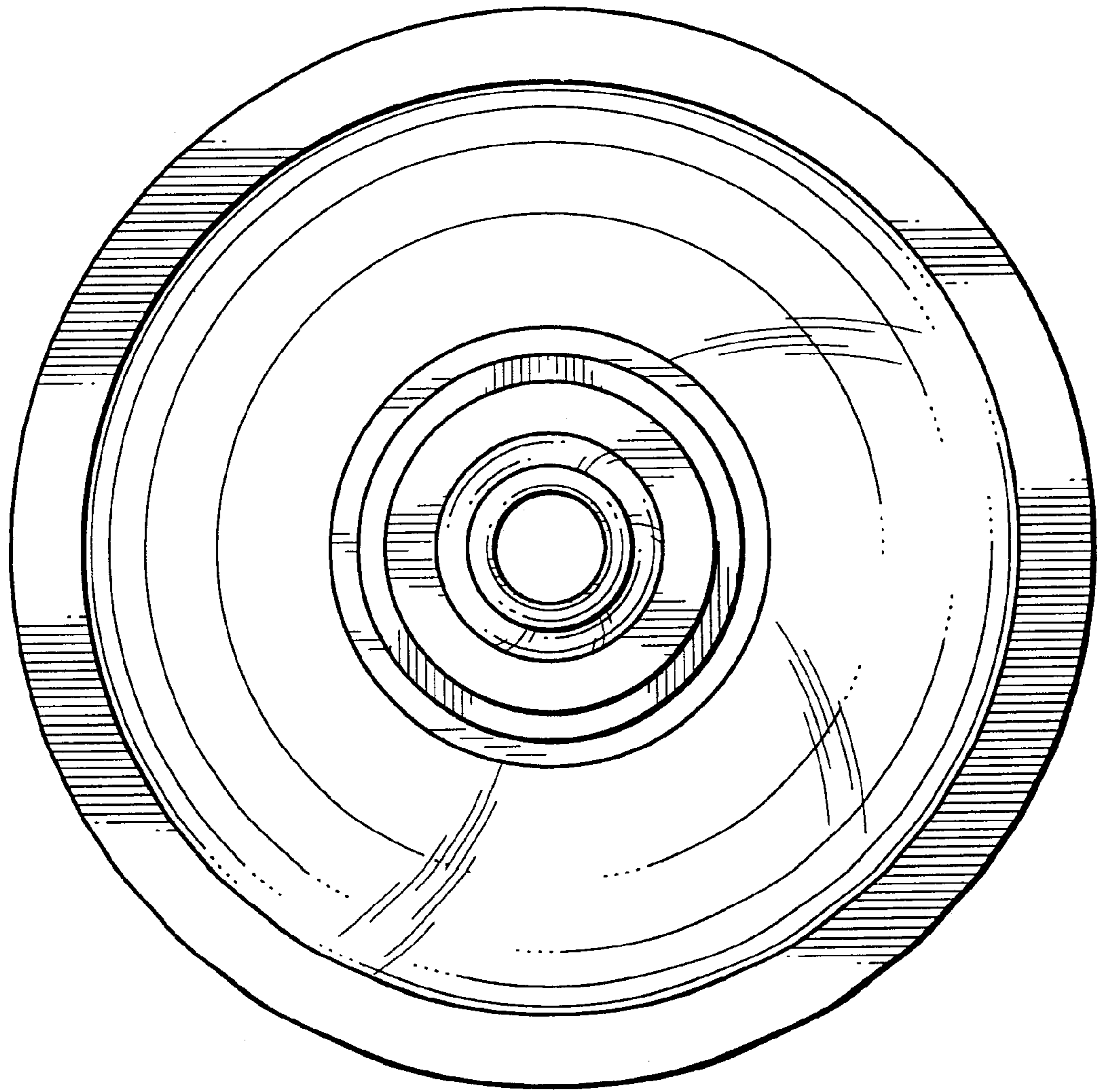
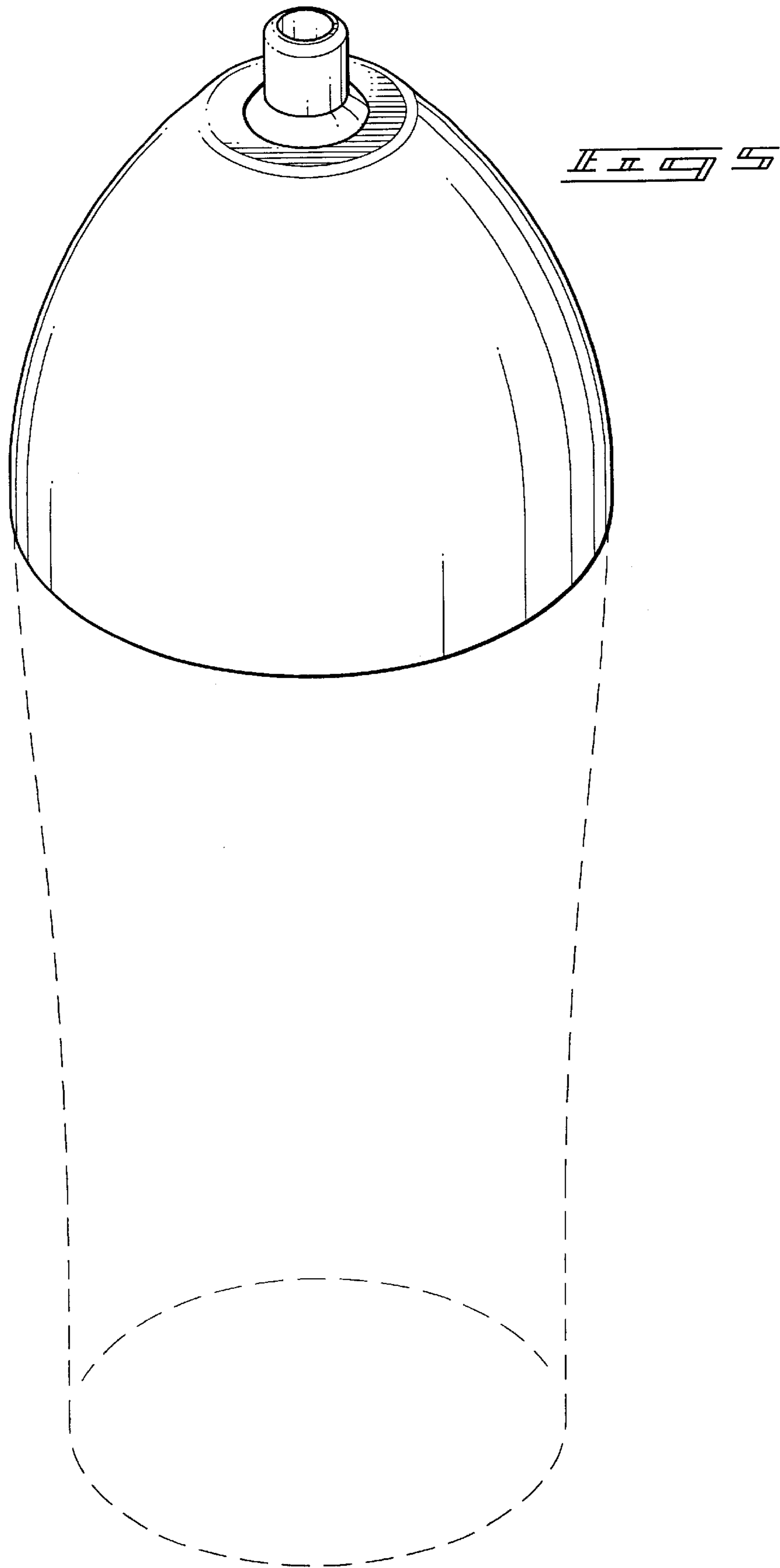


FIG. 4



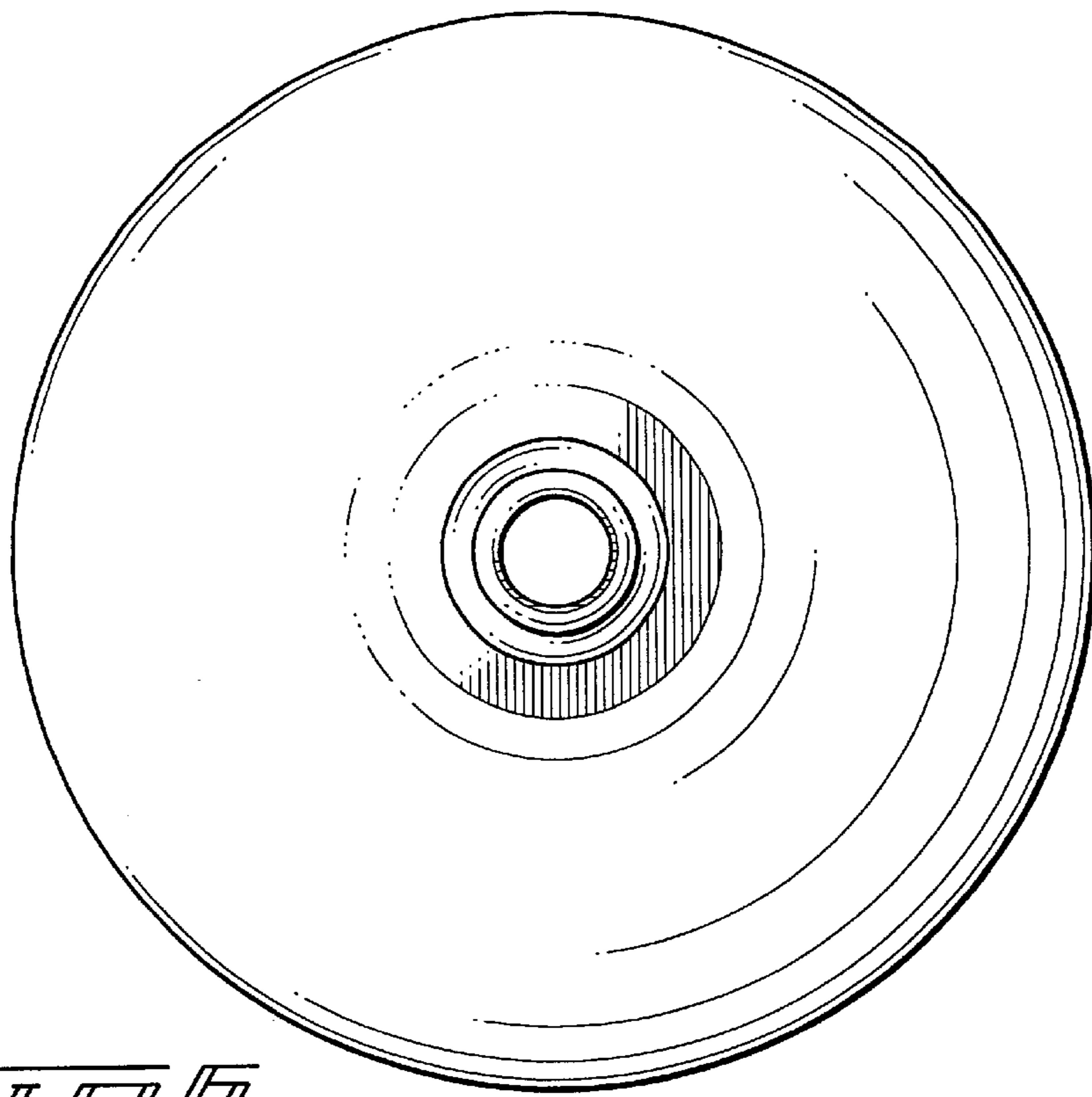


Fig. 5

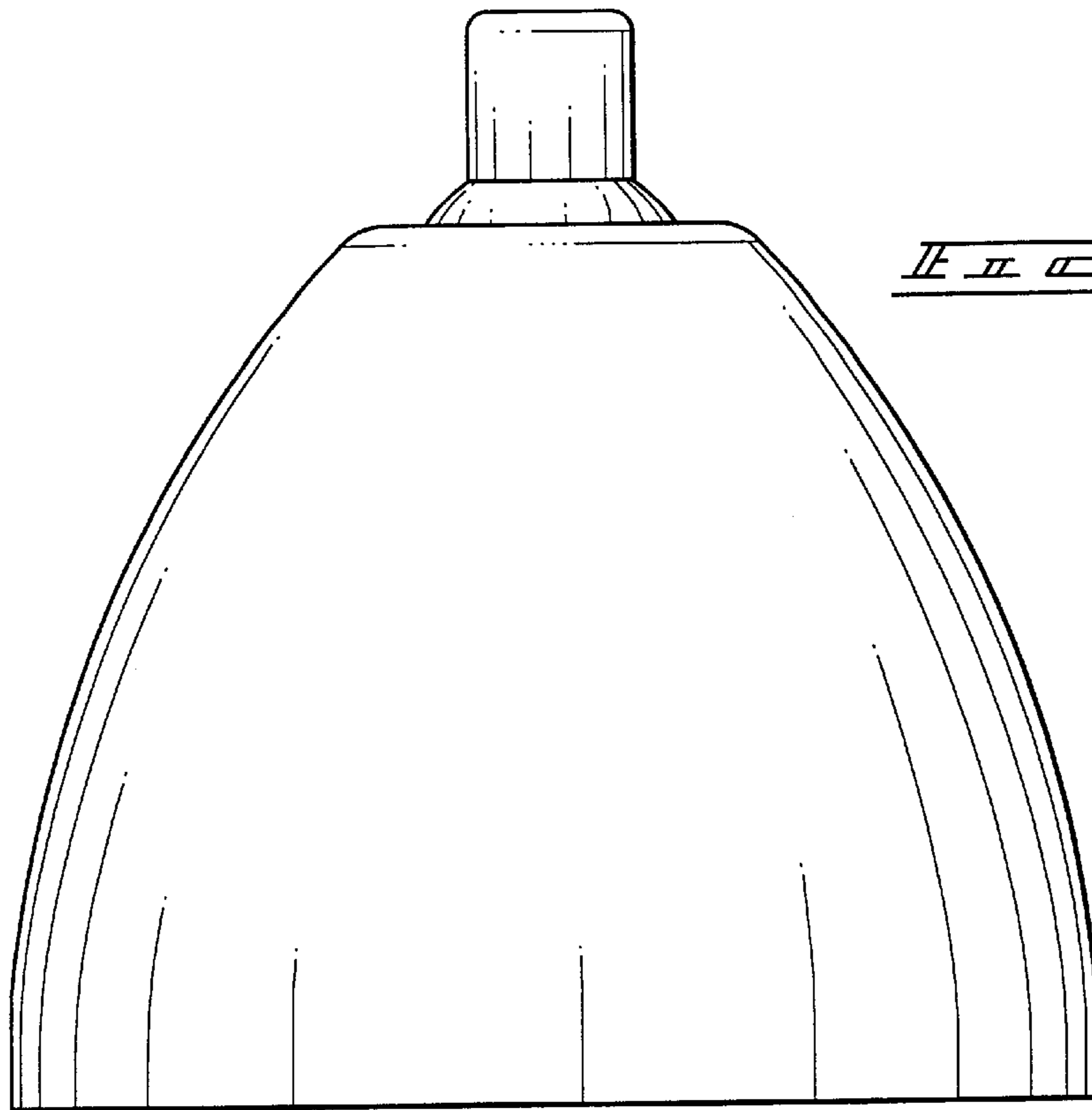


Fig. 6

