



US00D461676S

(12) **United States Design Patent**  
**Daenen et al.**

(10) **Patent No.: US D461,676 S**

(45) **Date of Patent: \*\* Aug. 20, 2002**

(54) **PITCHER WITH UNDULATING BASE AND CAP**

(75) Inventors: **Robert H. C. M. Daenen**, Aalst (BE);  
**Brooks Rorke**, Melbourne, FL (US)

(73) Assignee: **Dart Industries Inc.**, Orlando, FL (US)

(\*\*) Term: **14 Years**

(21) Appl. No.: **29/143,354**

(22) Filed: **Jun. 11, 2001**

(51) **LOC (7) Cl.** ..... **07-01**

(52) **U.S. Cl.** ..... **D7/317; D7/319**

(58) **Field of Search** ..... D7/300, 316, 317,  
D7/318, 319, 302, 303; 220/293, 374, 835;  
229/123.2; 210/282, 470; 215/314, 12.1;  
222/470, 134, 465.1, 556, 545

(56) **References Cited**

**U.S. PATENT DOCUMENTS**

D183,763 S	*	10/1958	Levittown	.....	D7/317
3,362,590 A		1/1968	Martin		
D214,392 S	*	6/1969	Gulotta	.....	D7/316
D215,471 S	*	10/1969	Gulotta	.....	D7/319
3,844,450 A	*	10/1974	Johnson	.....	222/183

3,861,565 A	*	1/1975	Rickmeier, Jr.	.....	222/131
4,655,373 A	*	4/1987	Essen	.....	222/465.1
D309,077 S	*	7/1990	Pomroy	.....	D7/318
D388,275 S		12/1997	Joergensen	.....	D7/319
D430,449 S		9/2000	Yeh	.....	D7/319
D435,995 S	*	1/2001	Mano	.....	D7/318
D441,247 S	*	5/2001	Beam	.....	D7/305
D454,469 S	*	3/2002	Jalet et al.	.....	D7/318

\* cited by examiner

*Primary Examiner*—M. N. Pandozzi

(74) *Attorney, Agent, or Firm*—Taylor J. Ross

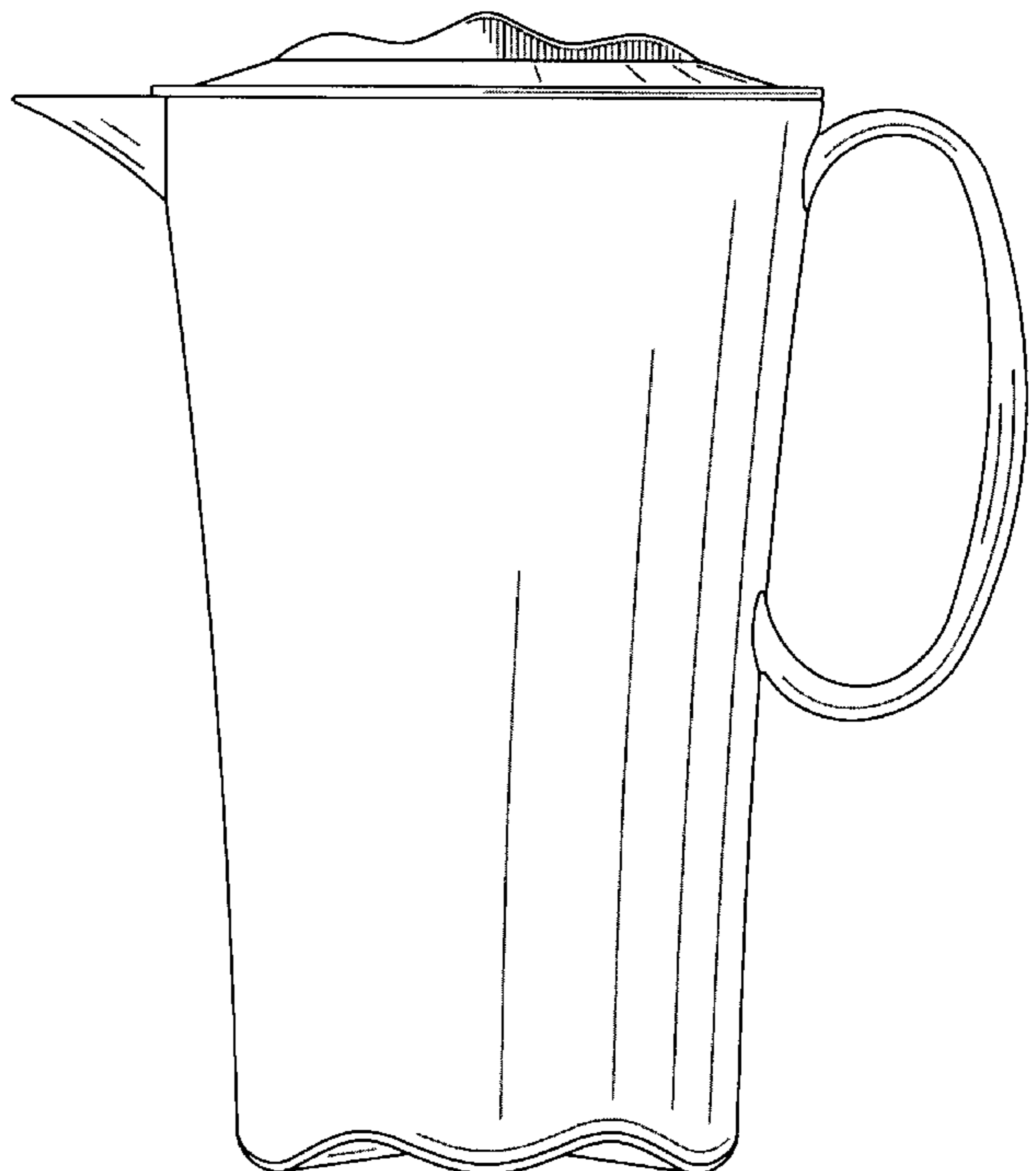
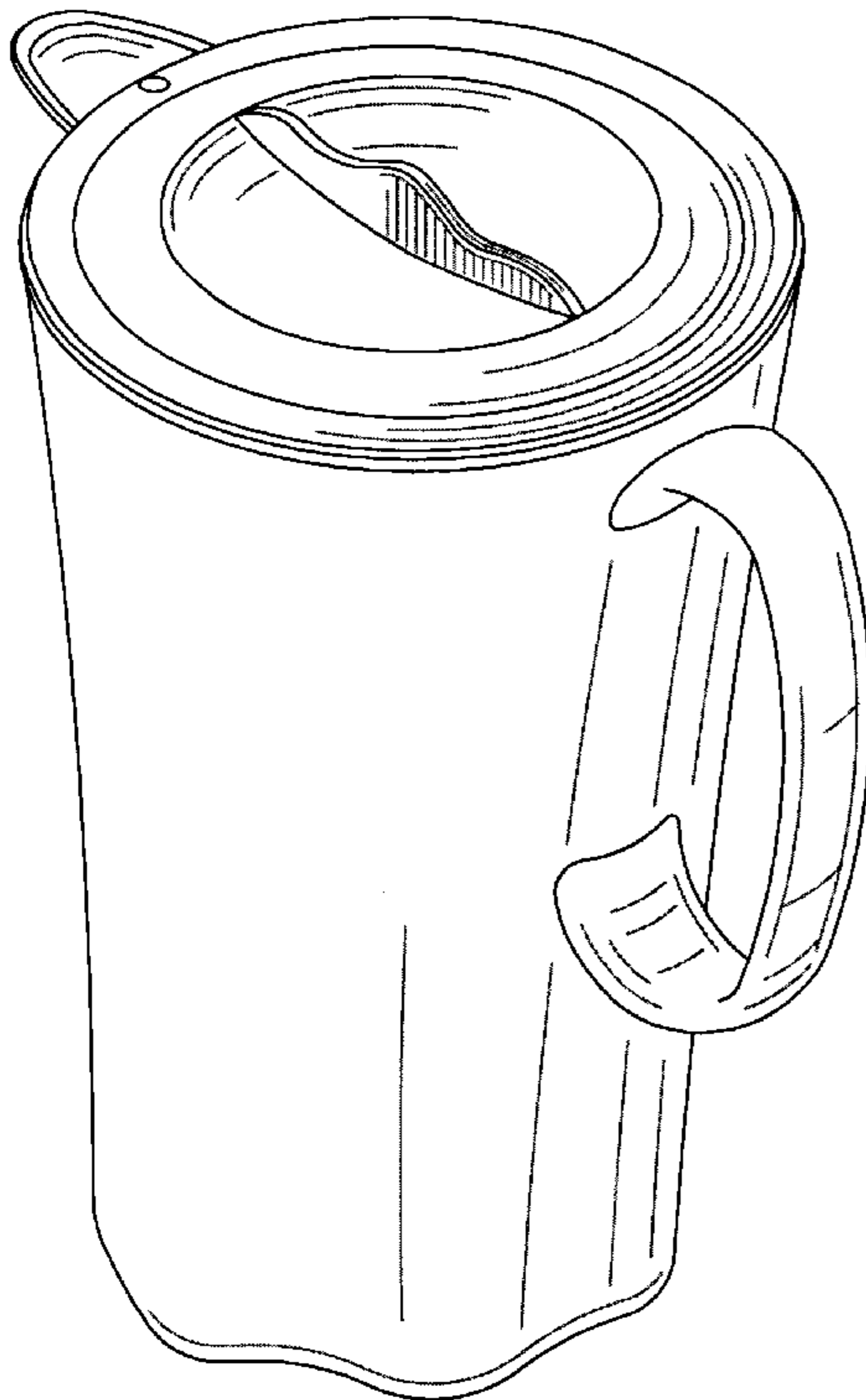
(57) **CLAIM**

The ornamental design for a pitcher with undulating base and cap, as shown and described.

**DESCRIPTION**

FIG. 1 is a top, side and front perspective view of a pitcher with undulating base and cap showing the new design; FIG. 2 is a left elevation view thereof; FIG. 3 is a right elevation view thereof; FIG. 4 is a rear side elevation view thereof; FIG. 5 is a front side elevation view thereof; FIG. 6 is a top plan view thereof; and, FIG. 7 is a bottom plan view thereof.

**1 Claim, 3 Drawing Sheets**



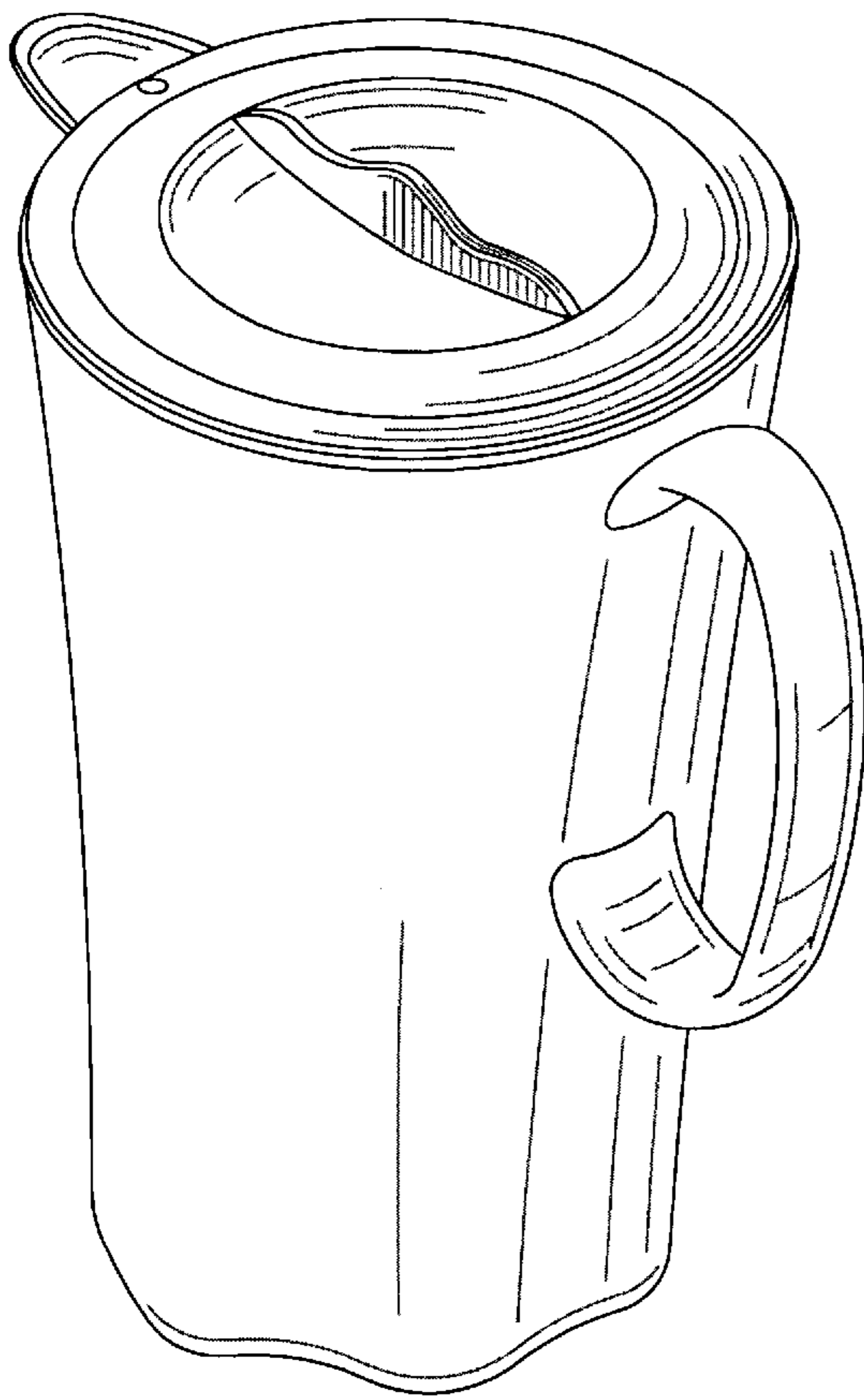


FIG. 1

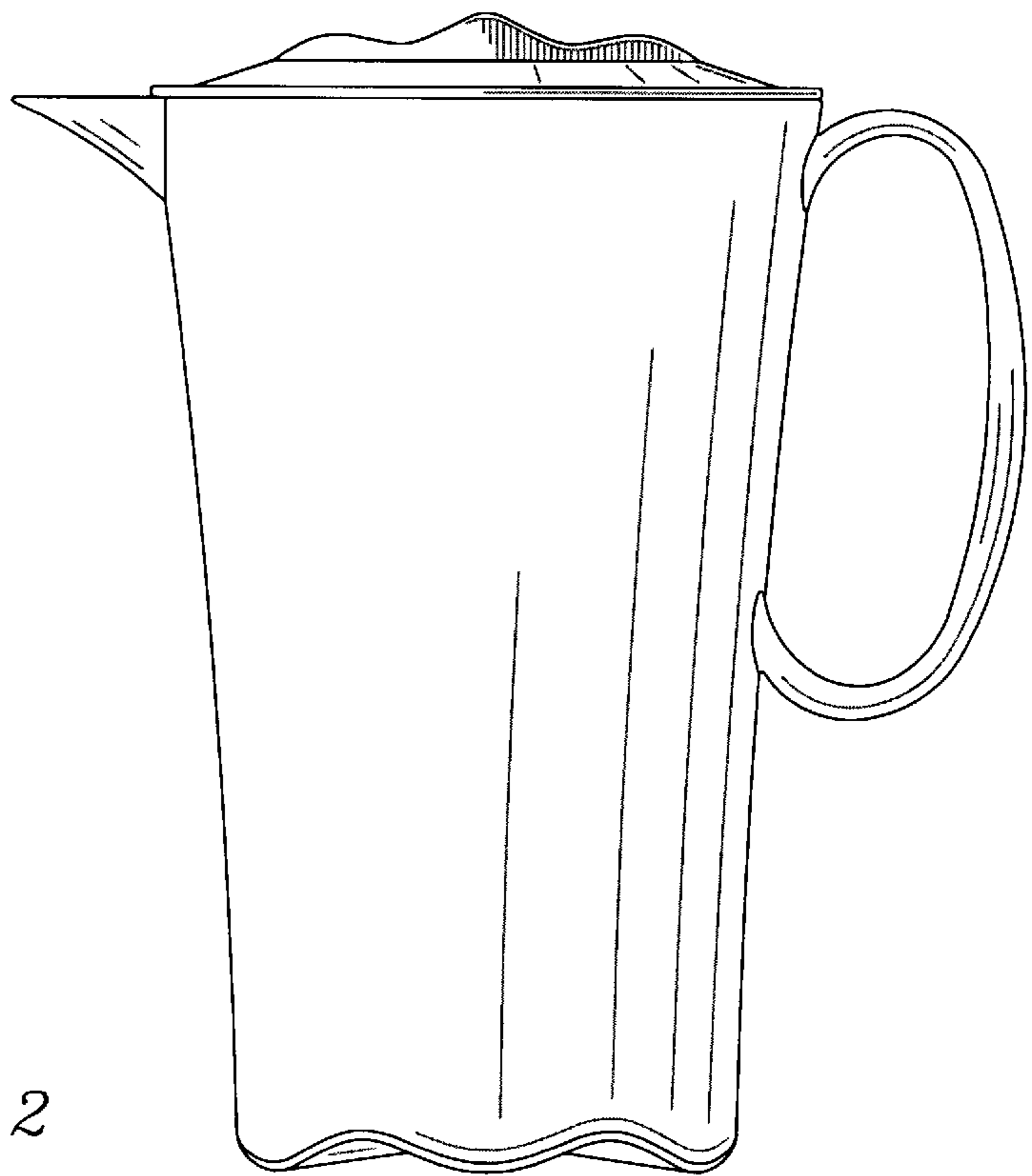


FIG. 2

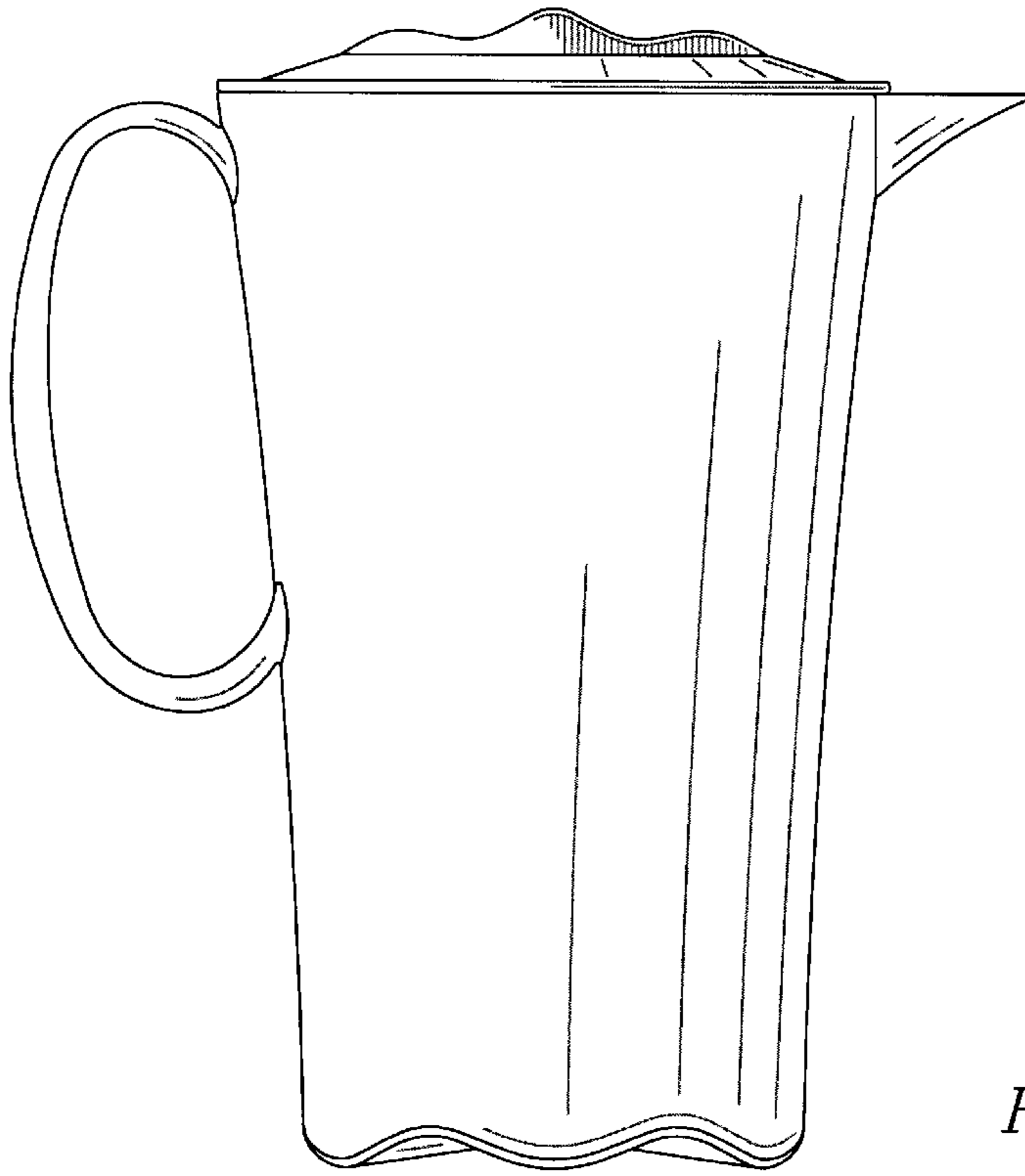


FIG. 3

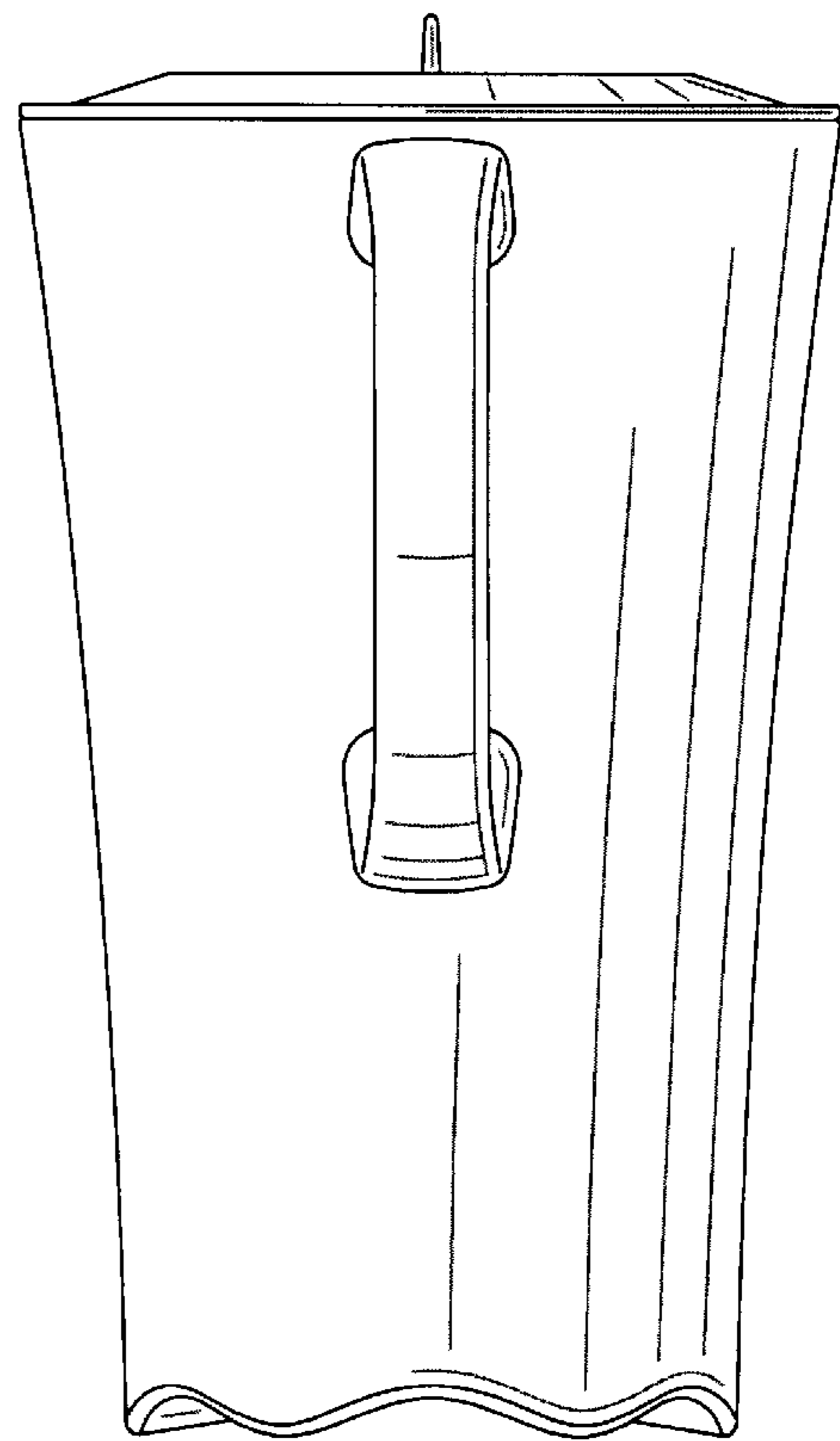


FIG. 4

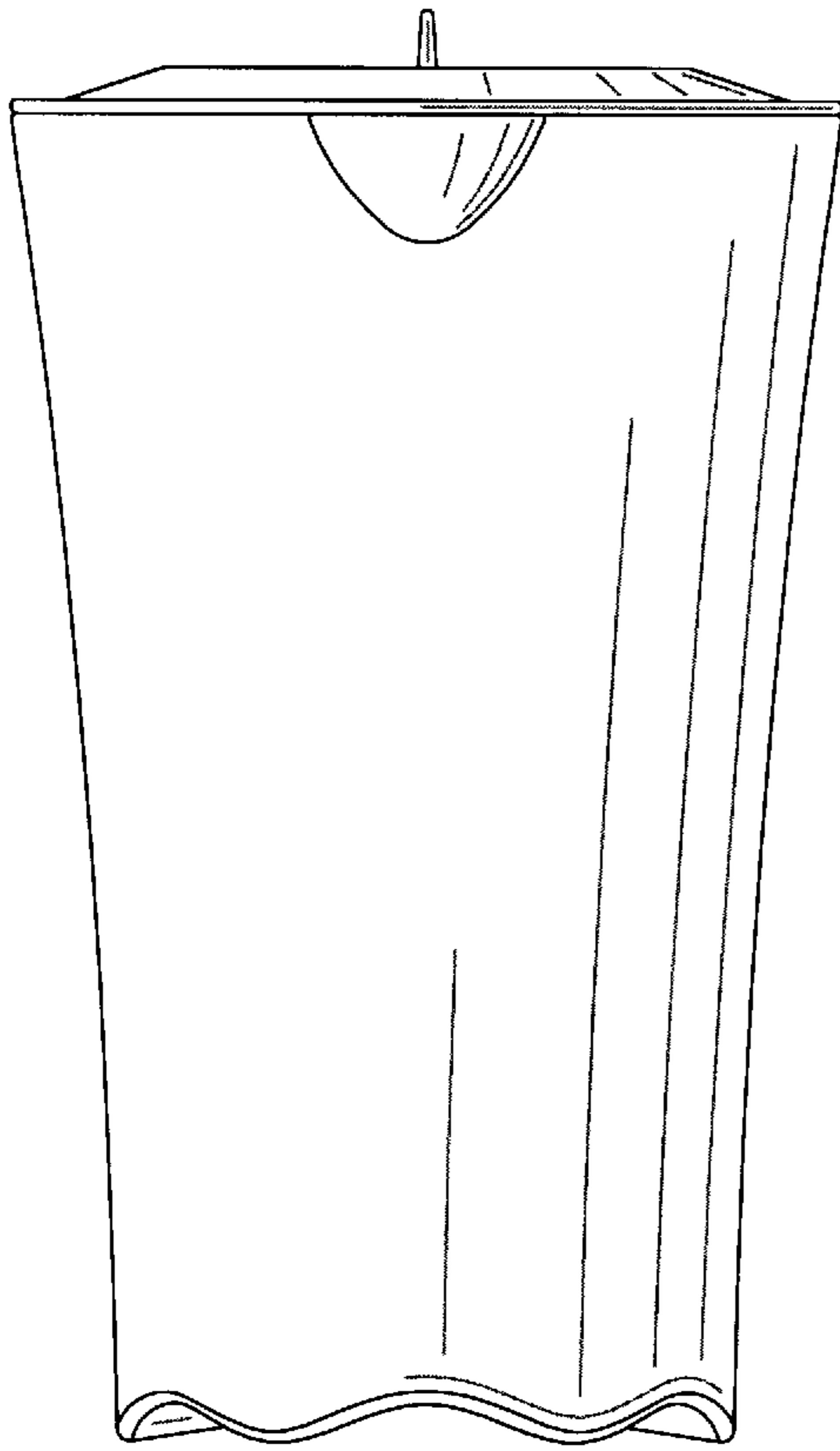


FIG. 5

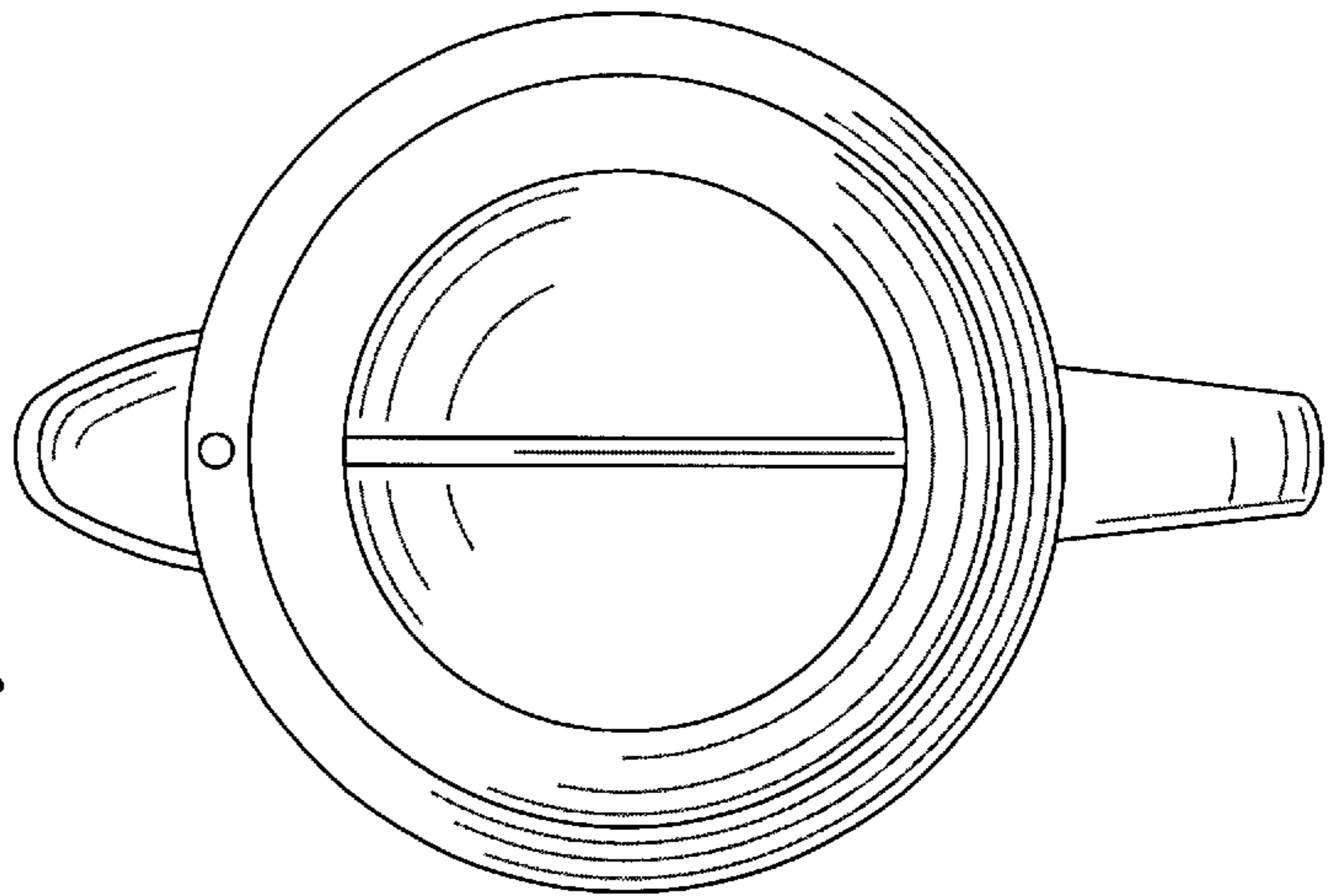


FIG. 6

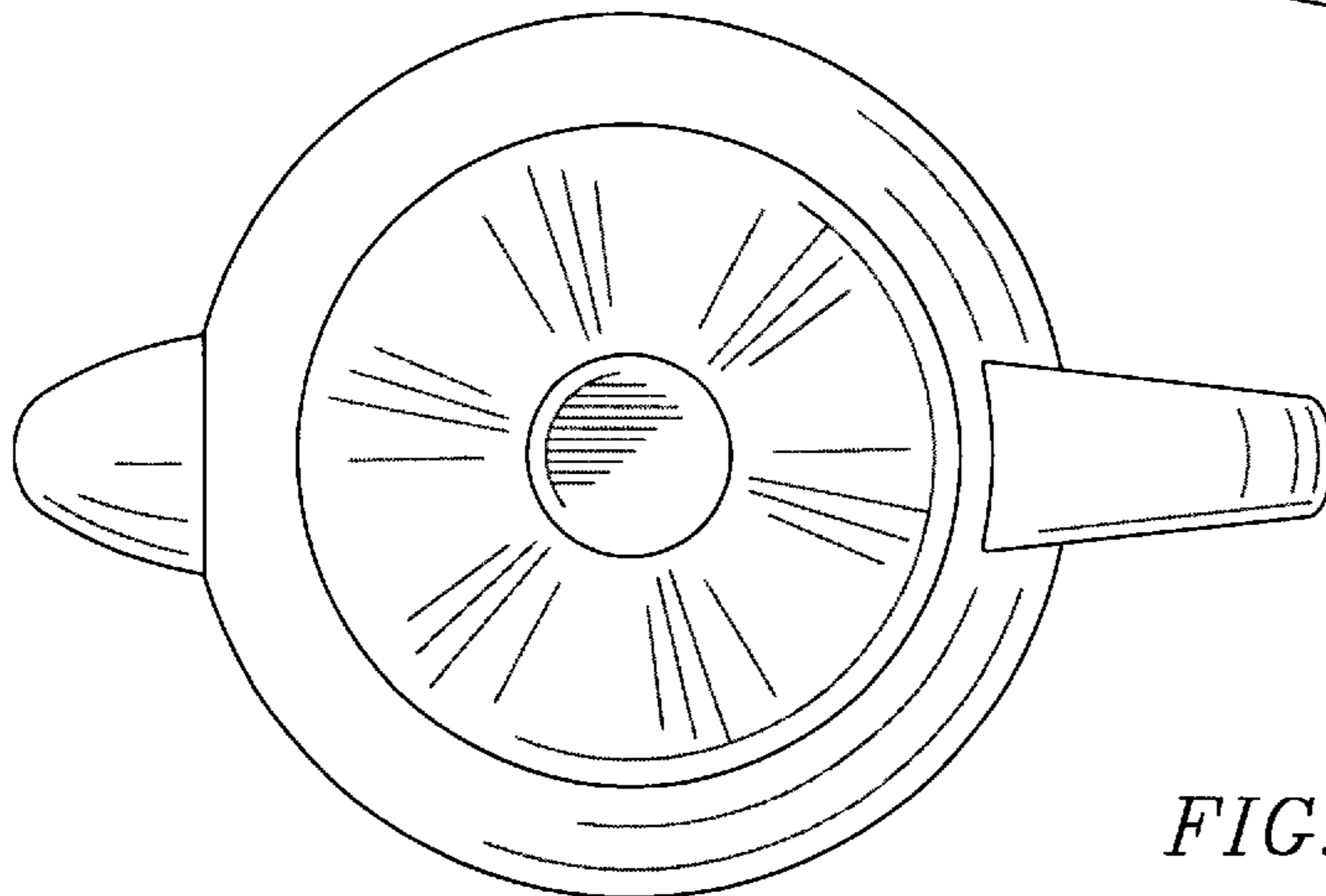


FIG. 7