



US00D461675S

(12) **United States Design Patent**
Kemper et al.

(10) **Patent No.:**

US D461,675 S

(45) **Date of Patent:**

**** Aug. 20, 2002**

(54) **BEVERAGE DISPENSER**

(75) Inventors: **Daniel C. Kemper**, Stone Mountain;
Paula Makrides, Alpharetta; **John Shero**; **Robert Sweeney**, both of Atlanta, all of GA (US); **Chris Roberson**, Haltom City, TX (US); **Mark Ritchmond**, Granbury, TX (US); **Kyle Norman**; **Tom May**, both of Ft. Worth, TX (US); **Rick Sherwood**, Southlake, TX (US)

(73) Assignee: **The Coca-Cola Company**, Atlanta, GA (US)

(**) Term: **14 Years**

(21) Appl. No.: **29/137,178**

(22) Filed: **Feb. 14, 2001**

(51) **LOC (7) Cl.** **07-01**

(52) **U.S. Cl.** **D7/307; D7/308**

(58) **Field of Search** D7/300, 306, 307, D7/308, 311, 312, 313; D20/5; 222/129.1-129.4, 131, 146.6; 141/1, 198, 311 R, 369; 99/279

(56) **References Cited**

U.S. PATENT DOCUMENTS

D335,062 S * 4/1993 Kolada et al. D7/308

D346,088 S * 4/1994 Schroeder D7/307
D367,585 S * 3/1996 Piatnik et al. D7/397
D389,693 S * 1/1998 Hawkins, Jr. et al. D7/308
D408,206 S * 4/1999 Stafford et al. D7/306
D442,417 S * 5/2001 Jones et al. D7/307
D451,748 S * 12/2001 Holderfield D7/307
D452,406 S * 12/2001 Schroeder et al. D7/307

* cited by examiner

Primary Examiner—M. N. Pandozzi

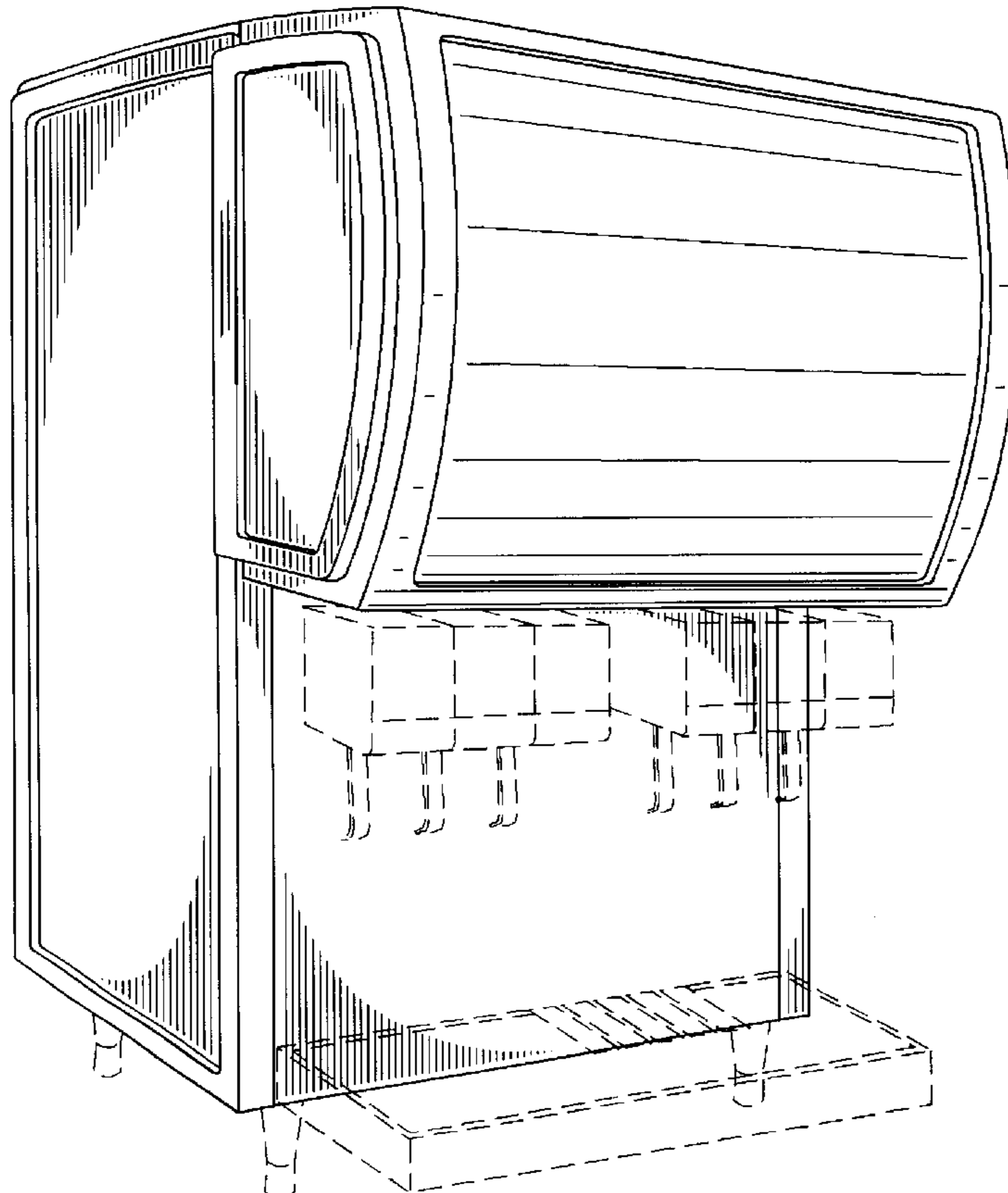
(57) **CLAIM**

We claim the ornamental design for a beverage dispenser, as shown.

DESCRIPTION

FIG. 1 is a top front left side perspective view of a beverage dispenser showing our new design;
FIG. 2 is a front elevational view thereof;
FIG. 3 is a left side elevational view thereof;
FIG. 4 is a rear elevational view thereof;
FIG. 5 is a top plan view thereof;
FIG. 6 is a top front left side perspective view of the second embodiment of our new design;
FIG. 7 is a front elevational view thereof;
FIG. 8 is a left side elevational view thereof;
FIG. 9 is a rear elevational view thereof; and,
FIG. 10 is a top plan view thereof.

1 Claim, 8 Drawing Sheets



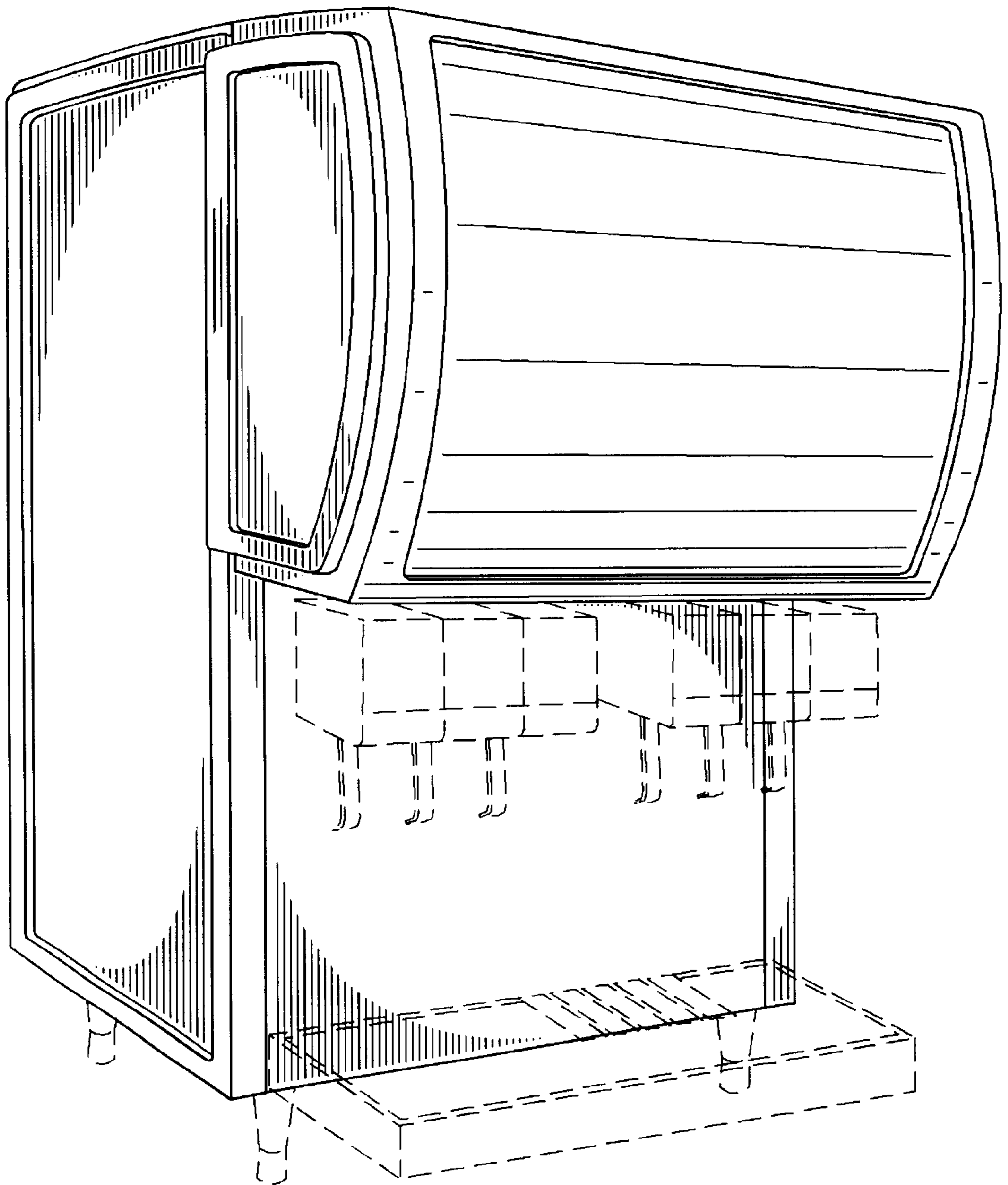


Fig. 1

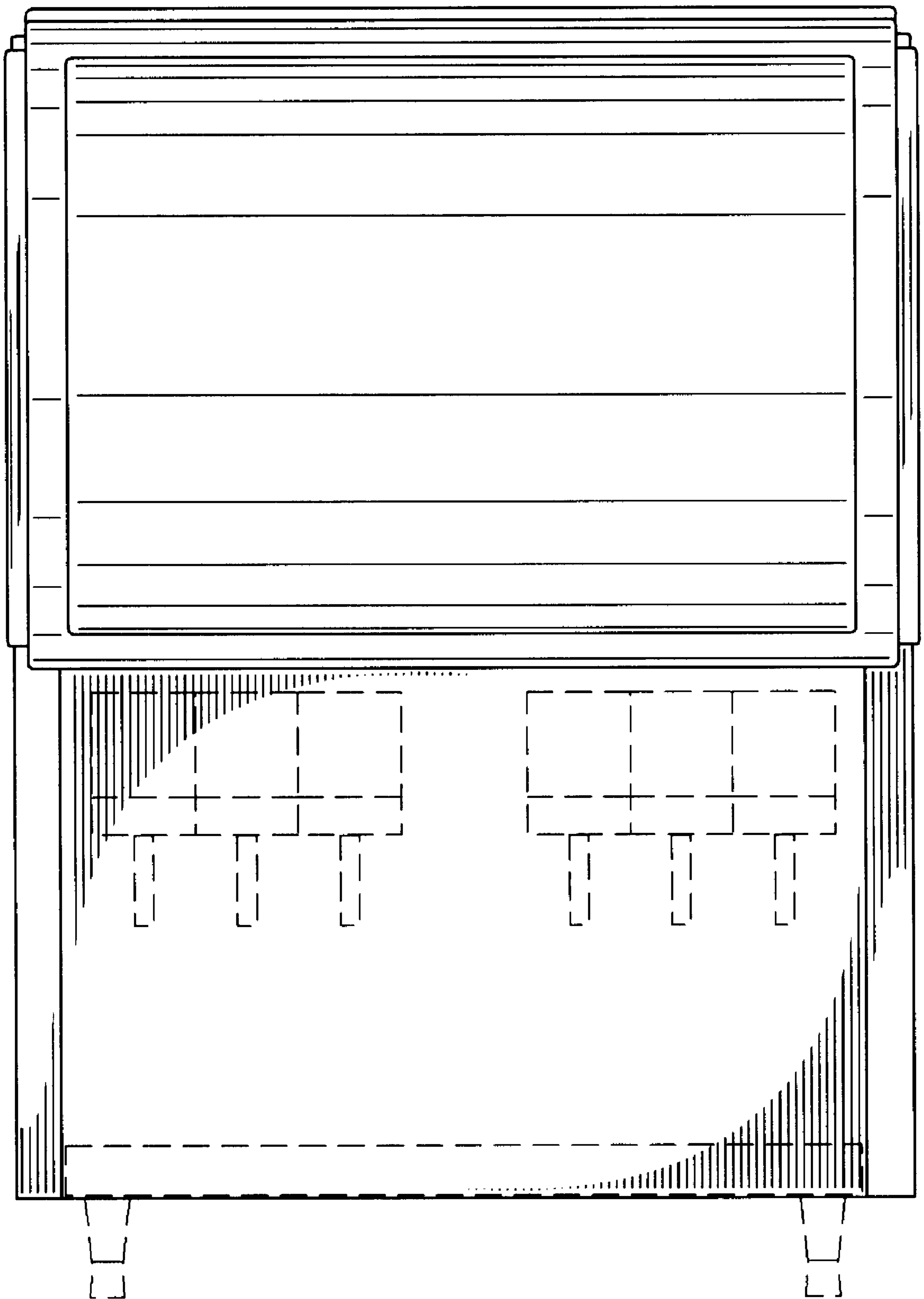


Fig. 2

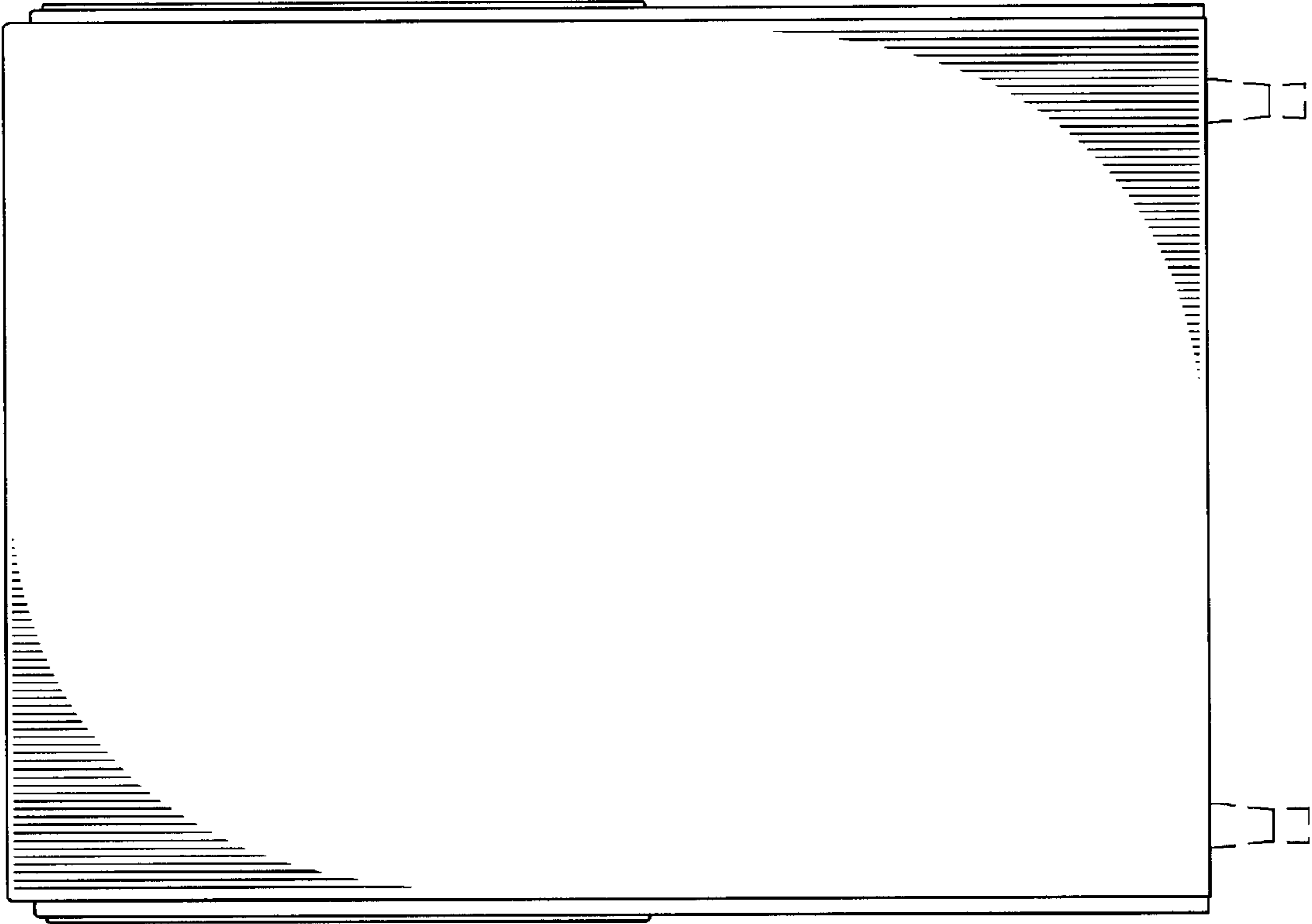


Fig. 4

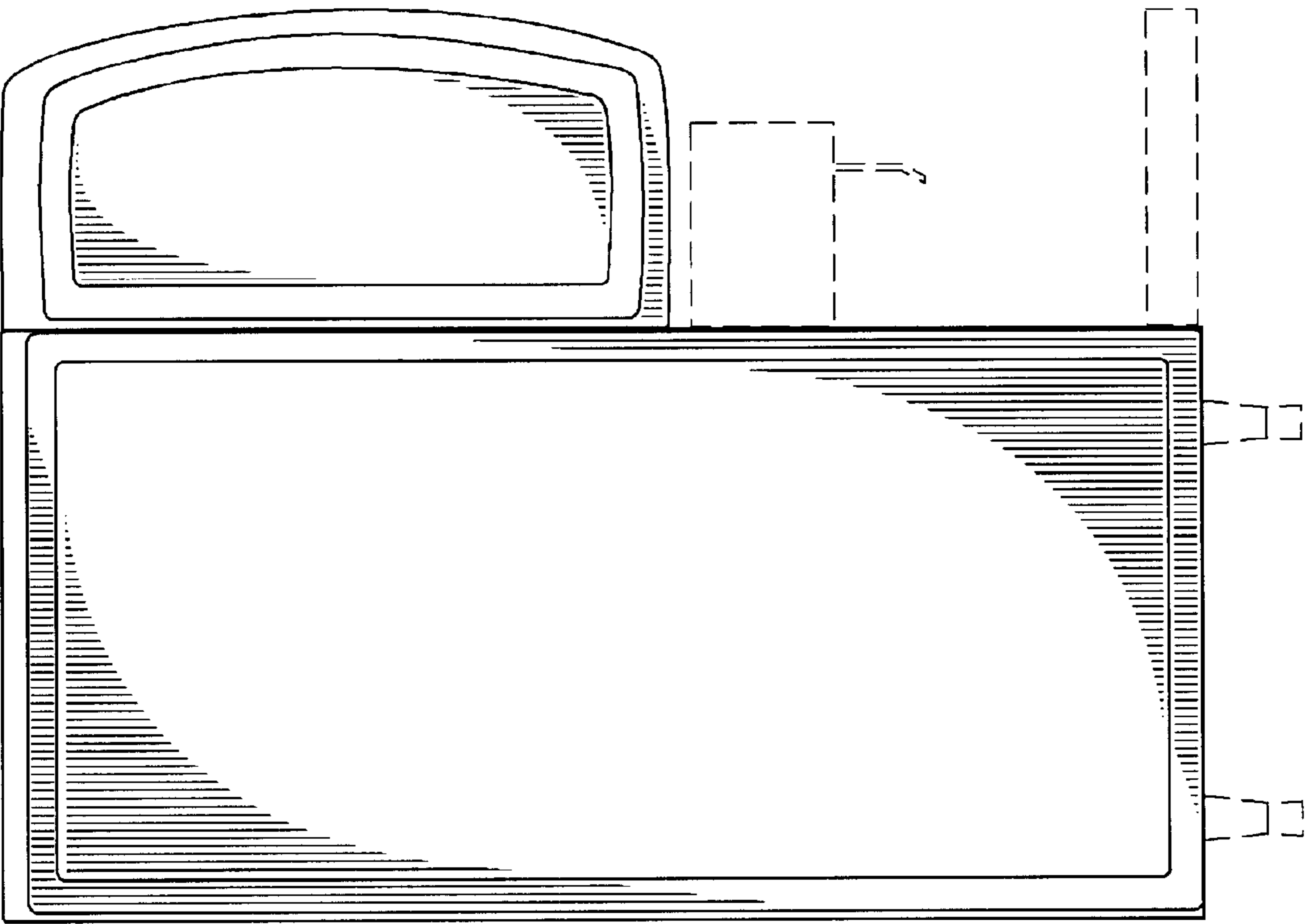


Fig. 3

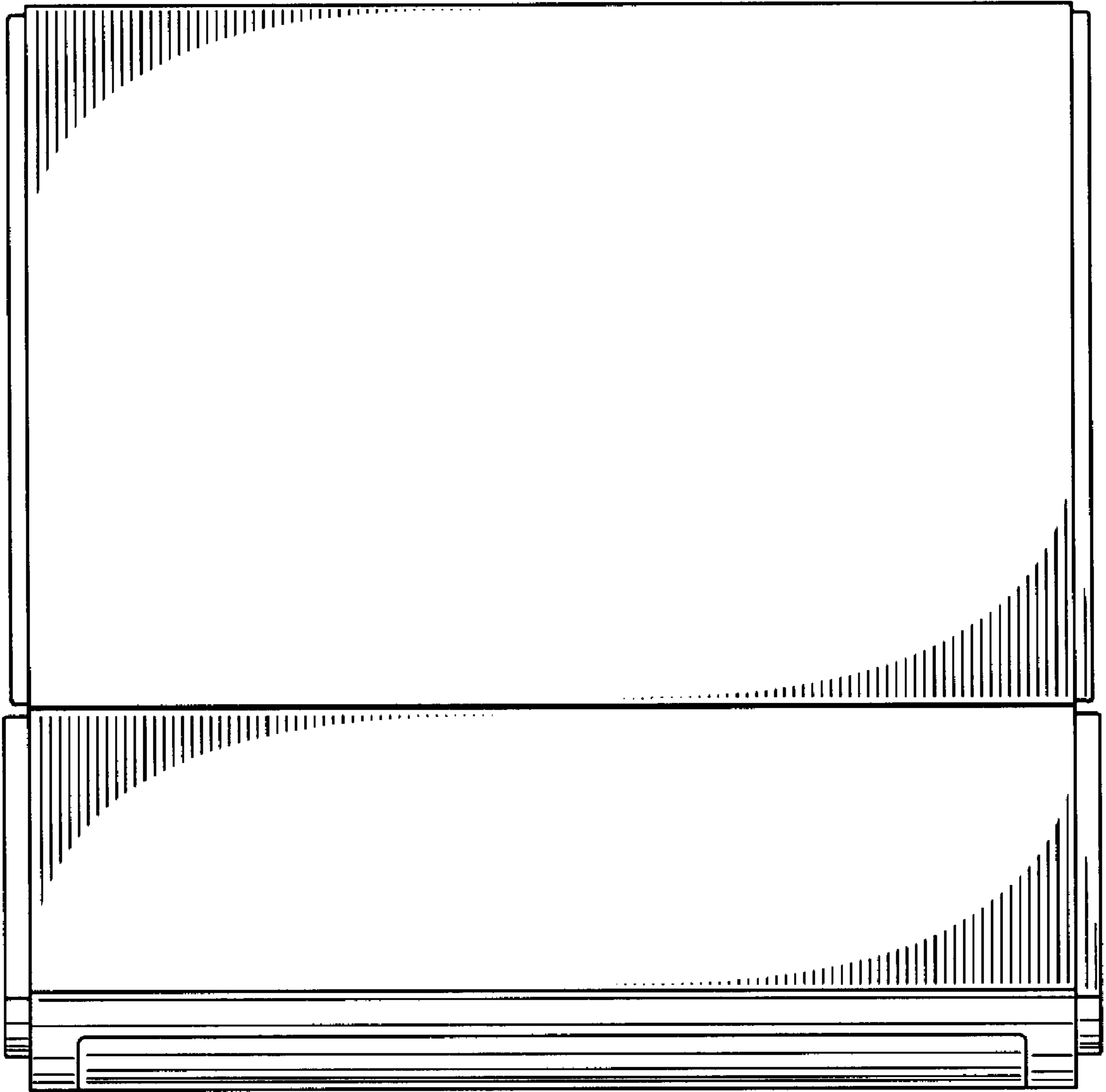


Fig. 5

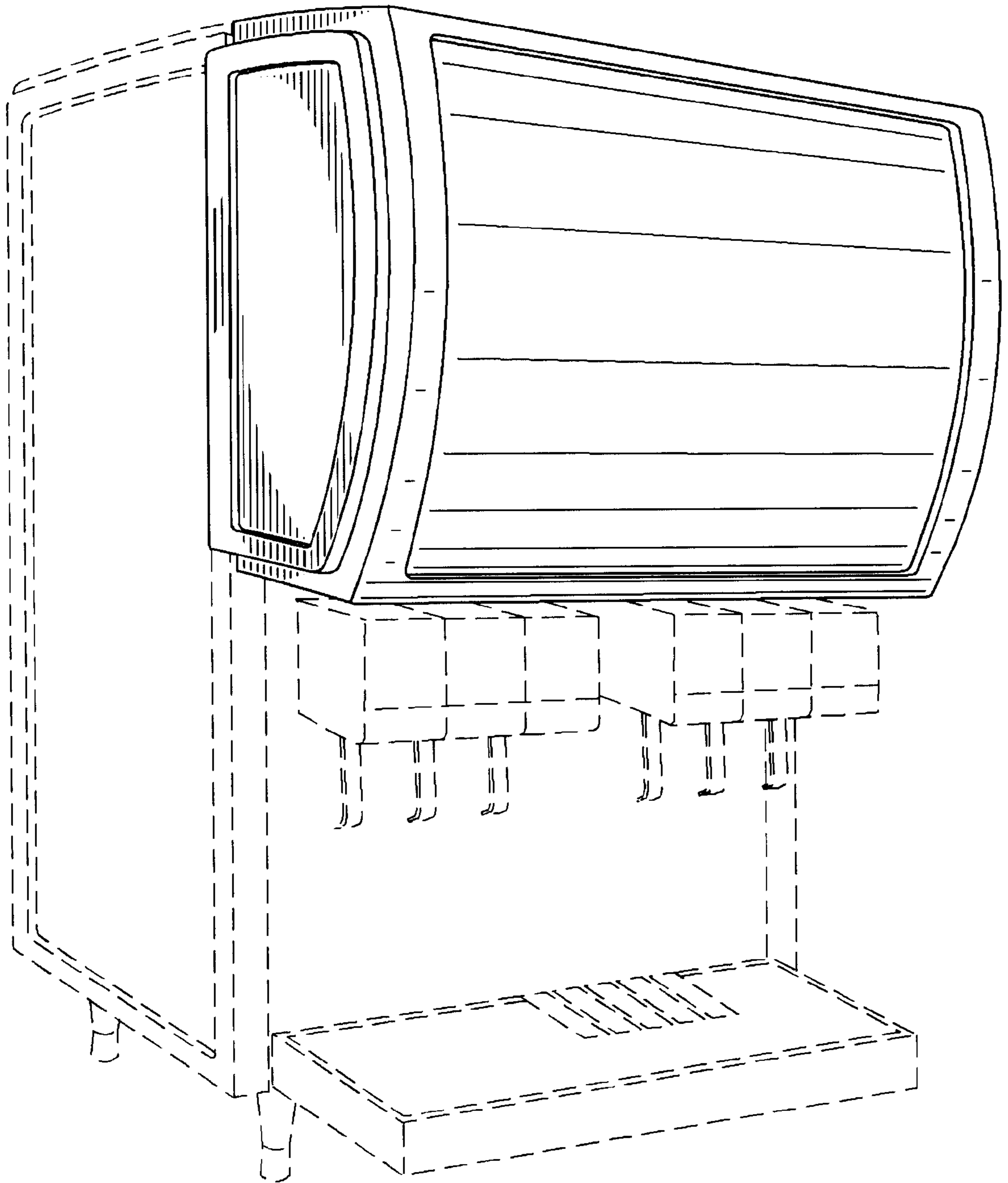


Fig. 6

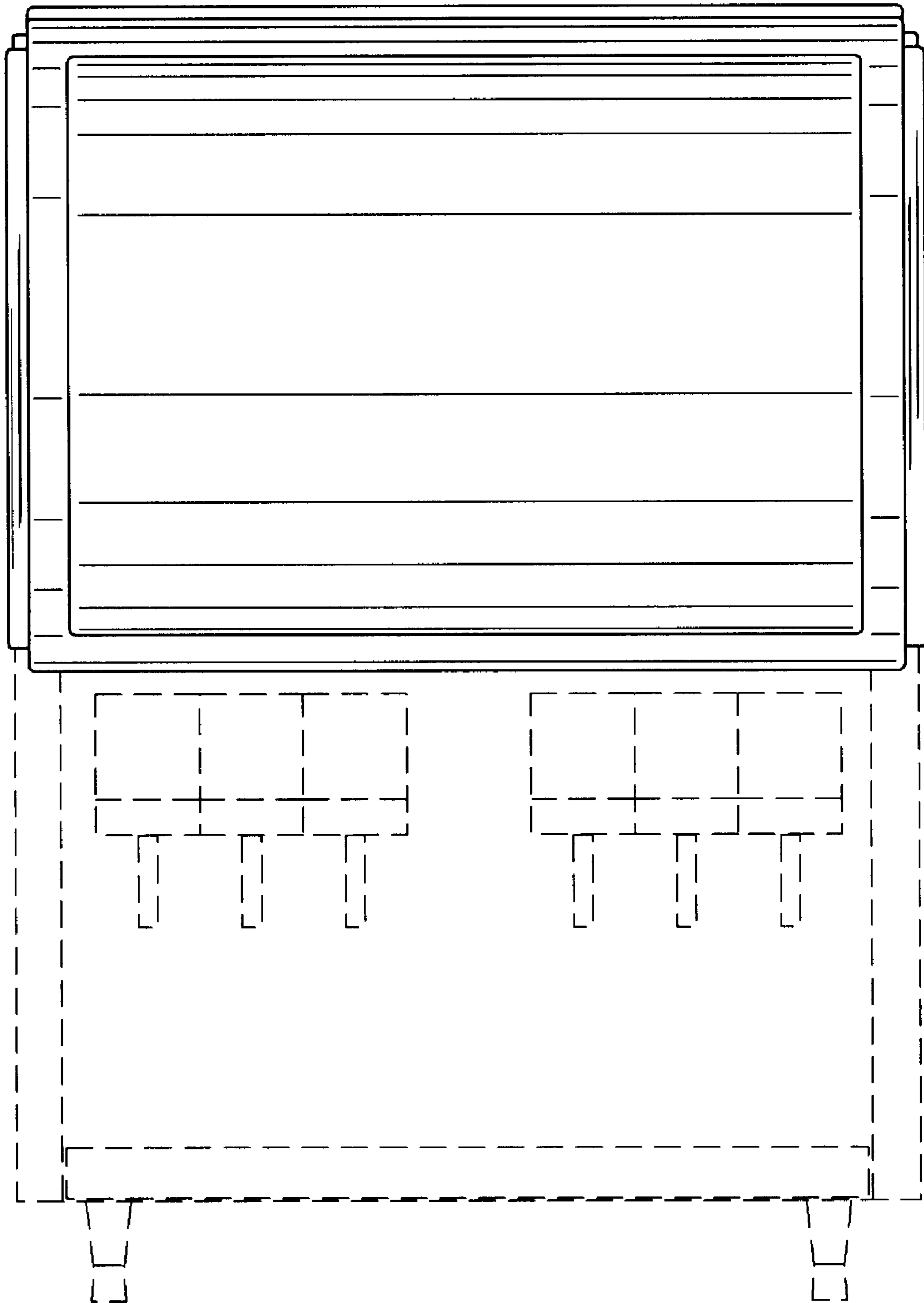


Fig. 7

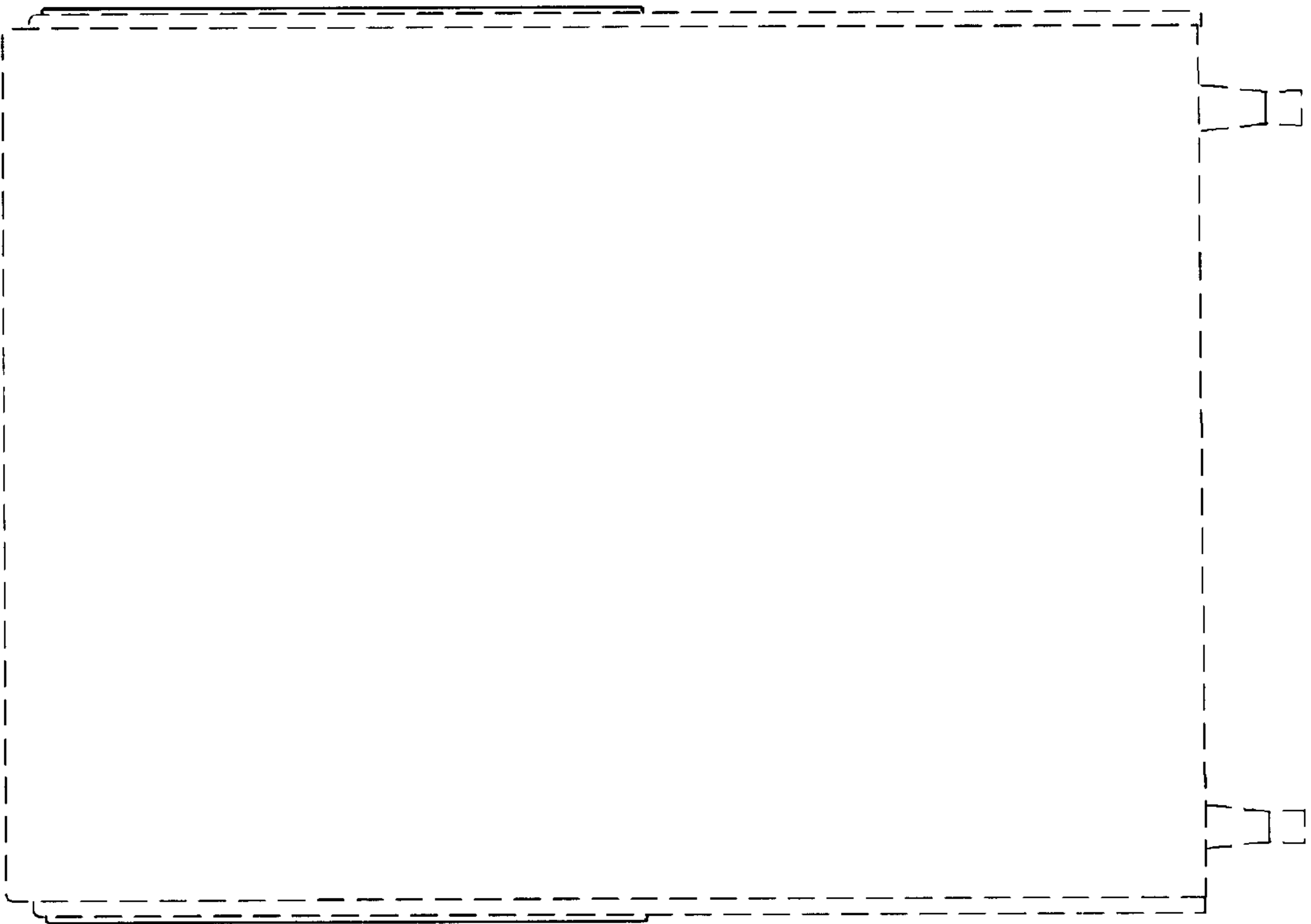


Fig. 9

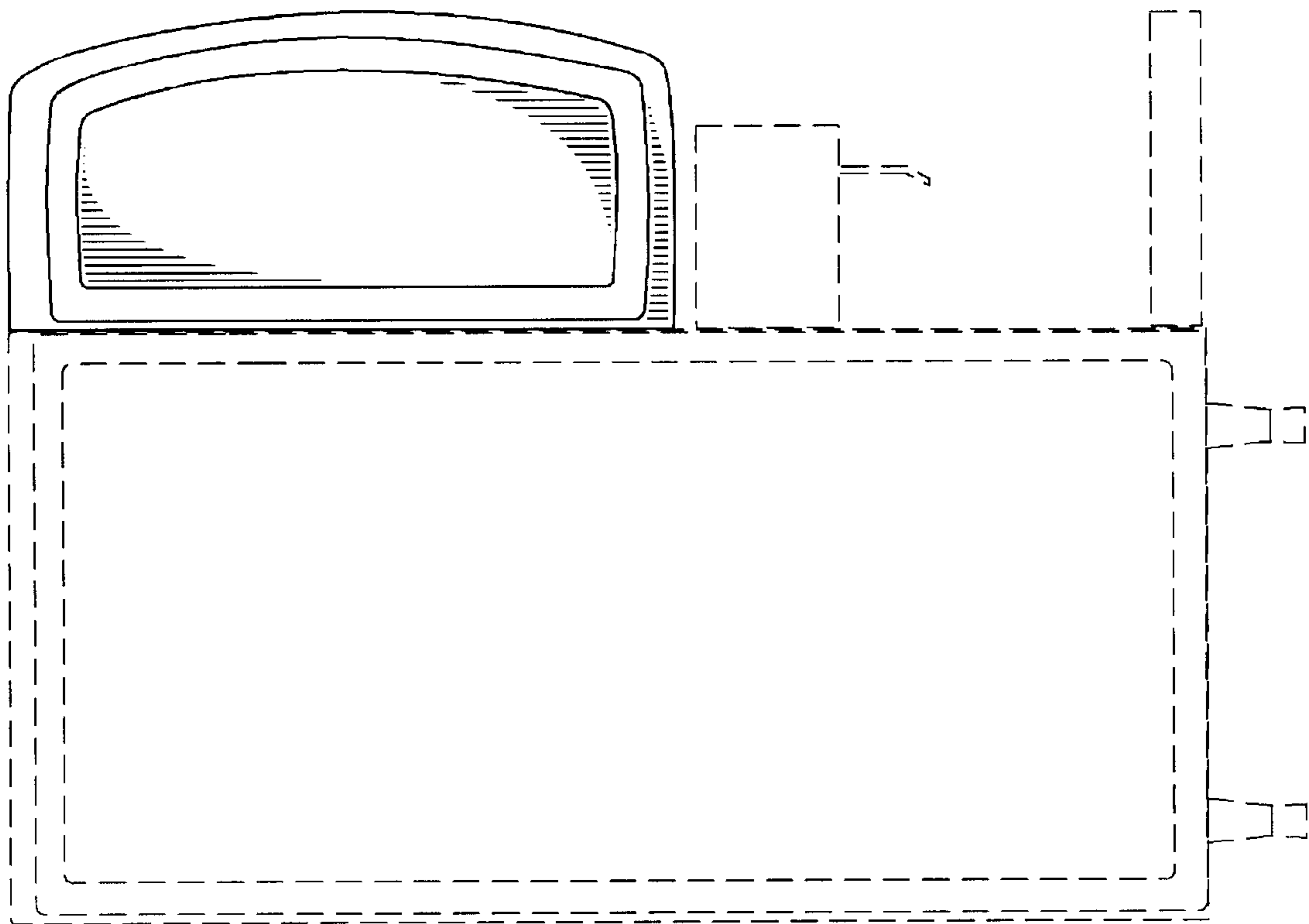


Fig. 8

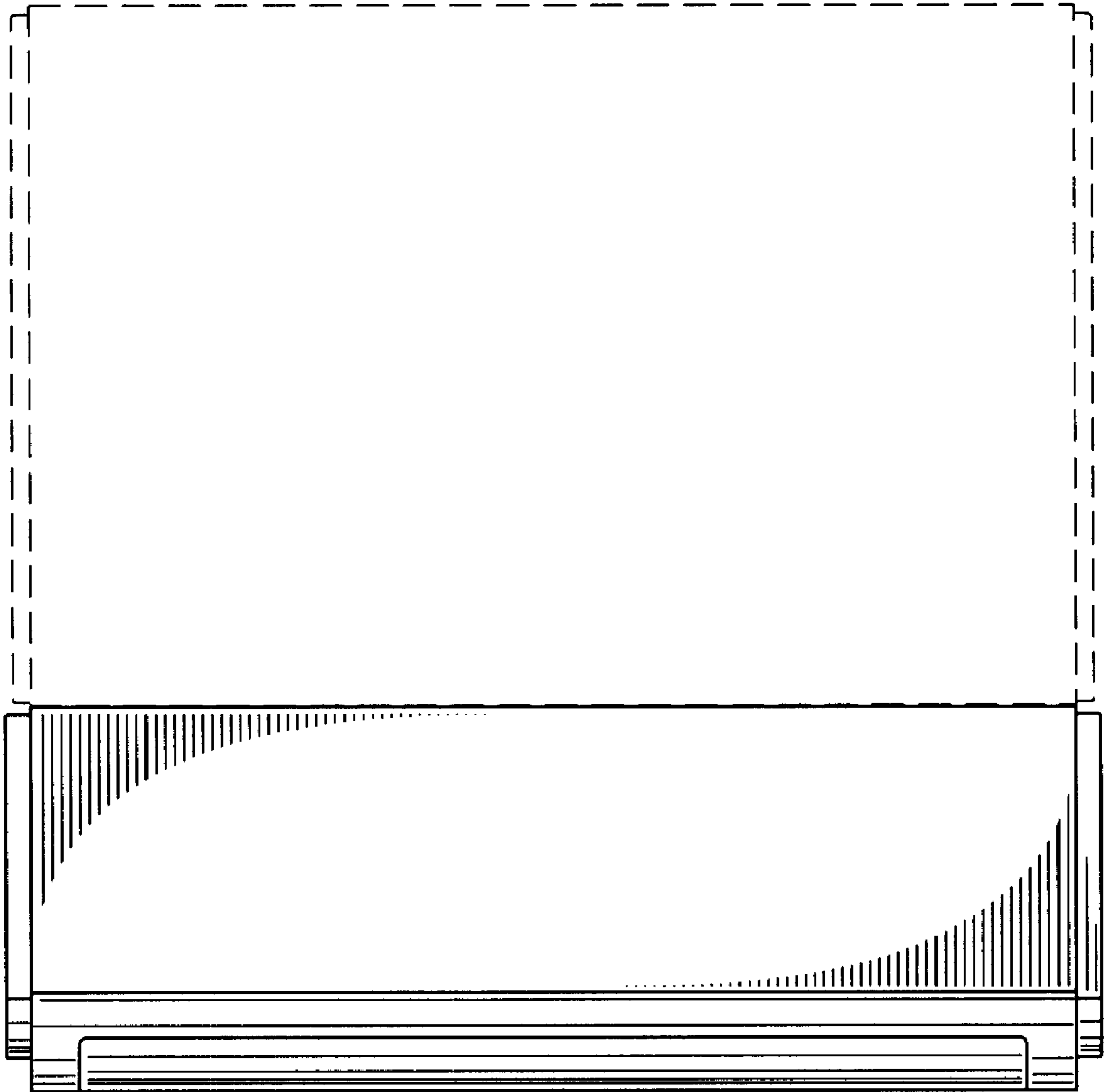


Fig. 10