



US00D461673S

(12) **United States Design Patent**
Hussaini et al.

(10) **Patent No.:** **US D461,673 S**

(45) **Date of Patent:** **** Aug. 20, 2002**

(54) **HOLDER AND STORAGE CONSOLE**

(75) Inventors: **Saied Hussaini; Marc Iacovelli**, both of Miami, FL (US)

(73) Assignee: **Intec, Inc.**, Miami, FL (US)

(**) Term: **14 Years**

(21) Appl. No.: **29/146,601**

(22) Filed: **Aug. 14, 2001**

(51) **LOC (7) Cl.** **06-04**

(52) **U.S. Cl.** **D6/629; D6/467; D6/476**

(58) **Field of Search** D6/407, 629, 630, D6/631, 410-415, 449, 458, 459, 460-468; 108/59, 76, 91, 92, 102, 106, 108, 132; 206/307, 307.1, 308.1, 310, 387.15; 211/13.1, 34, 36-38, 40-41.12, 55-58, 74, 77, 78, 85.6, 126.9, 134, 144, 163, 181.1, 194; 312/9.1, 9.47-9.64, 348.3; D12/415, 416, 421; D13/107, 108; D14/432, 442, 447, 457

(56) **References Cited**

U.S. PATENT DOCUMENTS

D249,262 S * 9/1978 Neece D12/415 X
D358,364 S * 5/1995 Siddoway D13/108
D364,291 S * 11/1995 Wheeler D6/475

D394,423 S * 5/1998 Nagele et al. D13/107
D411,824 S * 7/1999 Wilson, Sr. et al. D14/114 X
D413,930 S * 9/1999 Ancona et al. D6/629 X

* cited by examiner

Primary Examiner—Cathron C. Brooks

(74) *Attorney, Agent, or Firm*—Liniak, Berenato, Longacre & White

(57) **CLAIM**

The ornamental design for a holder and storage console, as shown and described.

DESCRIPTION

FIG. 1 is a Top View of the holder and storage console according to the present invention.
FIG. 2 is a bottom view of the holder and storage console of FIG. 1.
FIG. 3 is a left side view of the holder and storage console of FIG. 1.
FIG. 4 is a right side view of the holder and storage console of FIG. 1.
FIG. 5 is a front view of the holder and storage console of FIG. 1.
FIG. 6 is a rear view of the holder and storage console of FIG. 1; and,
FIG. 7 is a front elevational perspective view of the holder and storage console of FIG. 1.

1 Claim, 4 Drawing Sheets

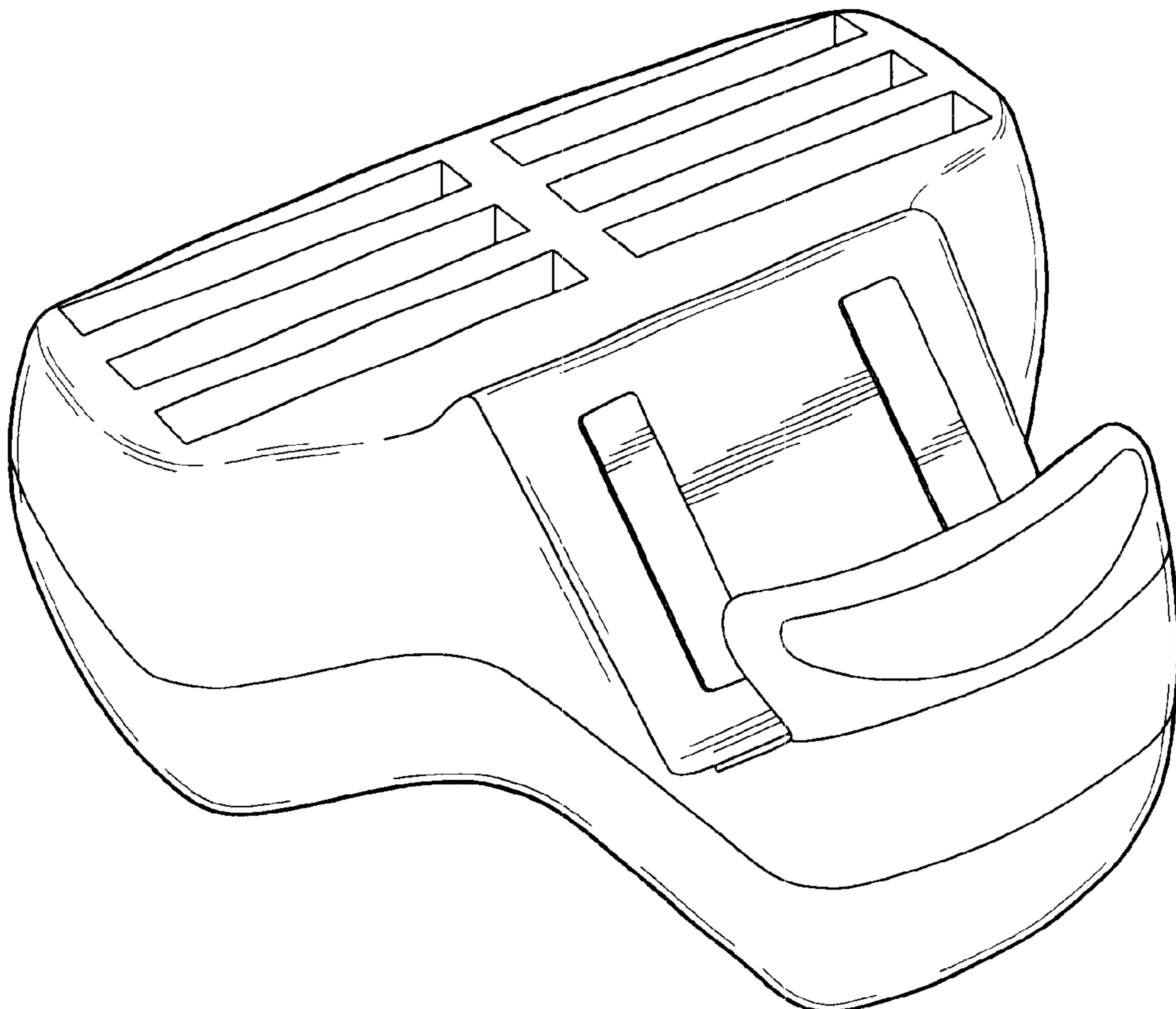


Fig. 2

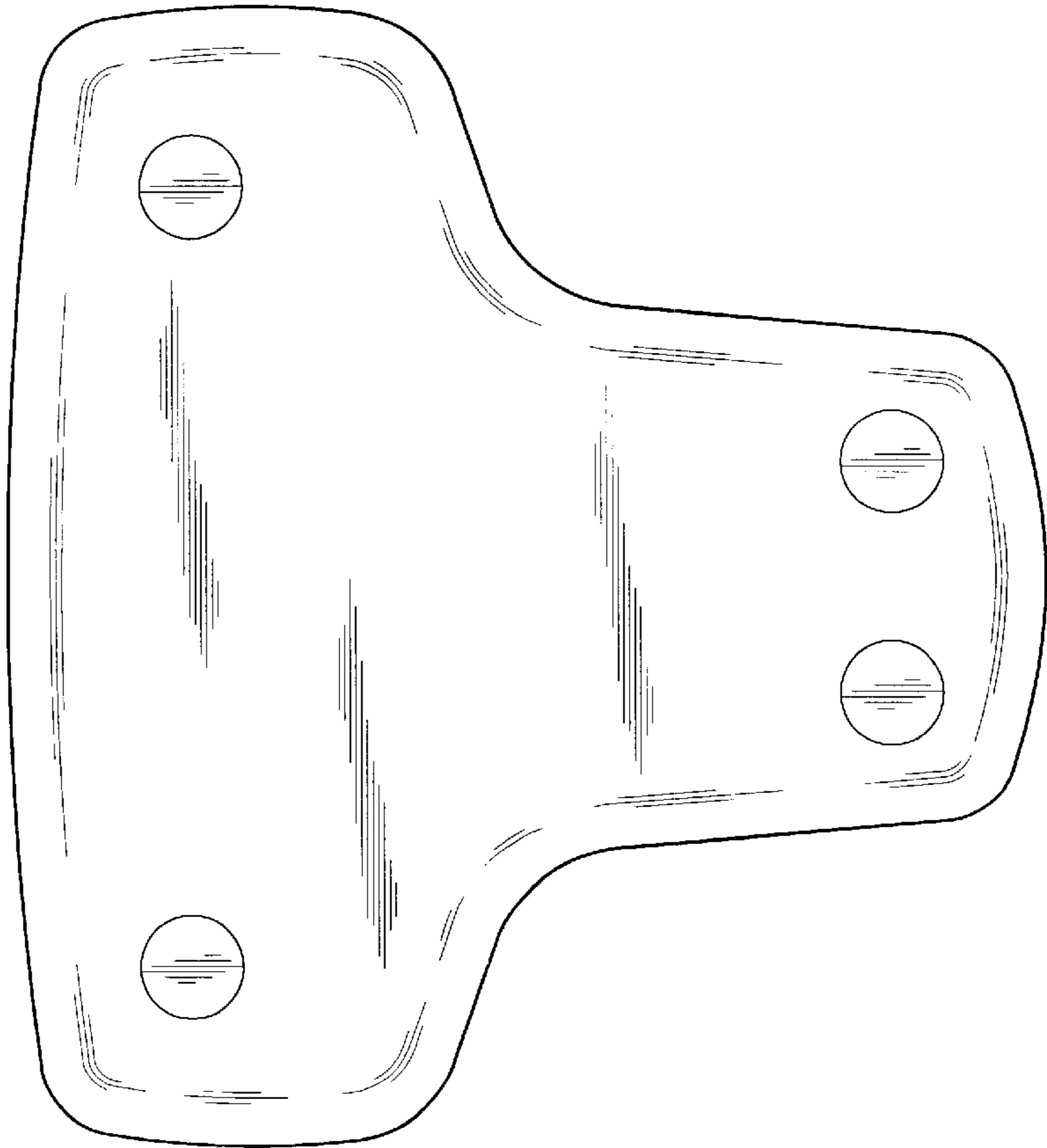


Fig. 1

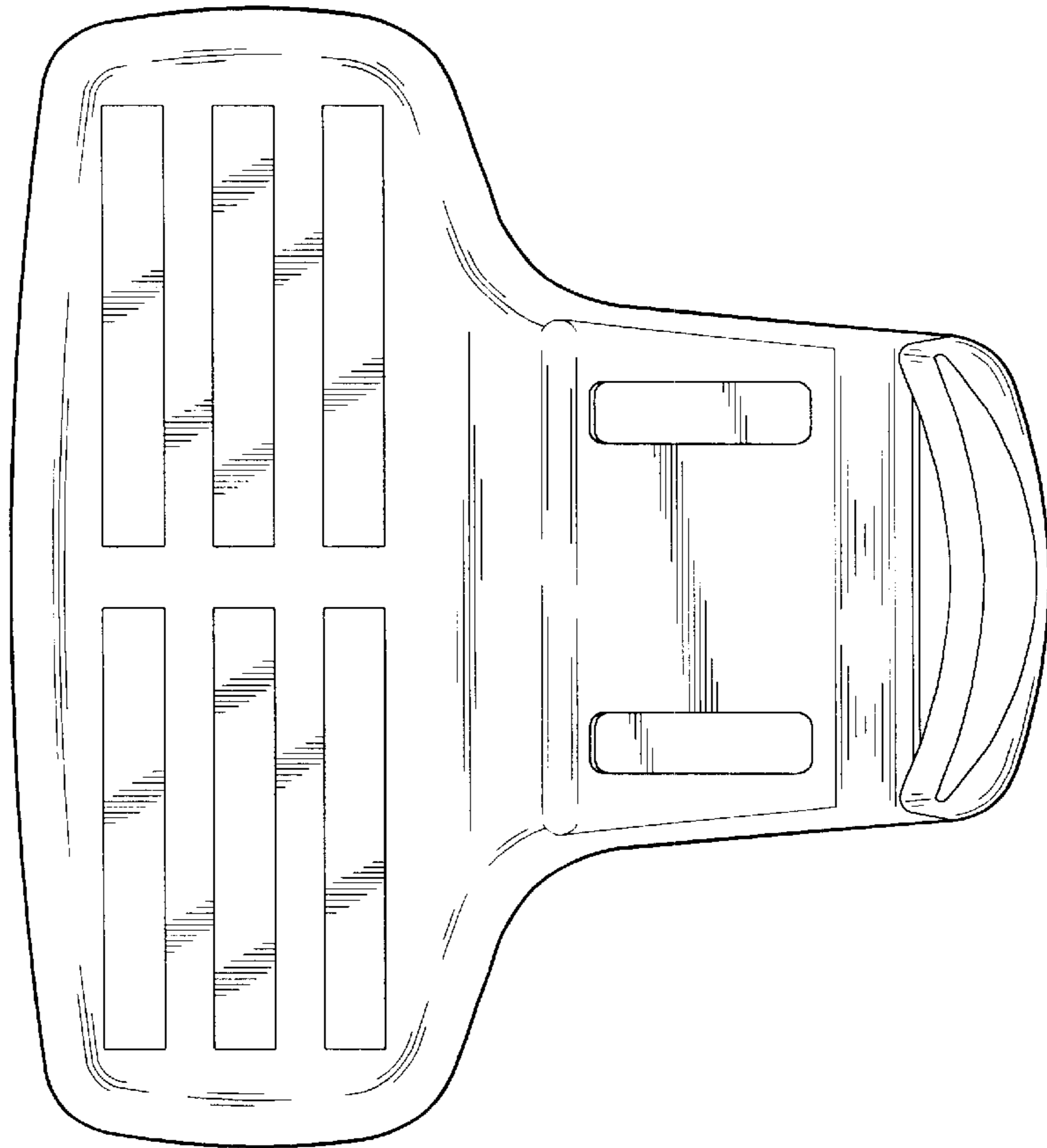


Fig. 3

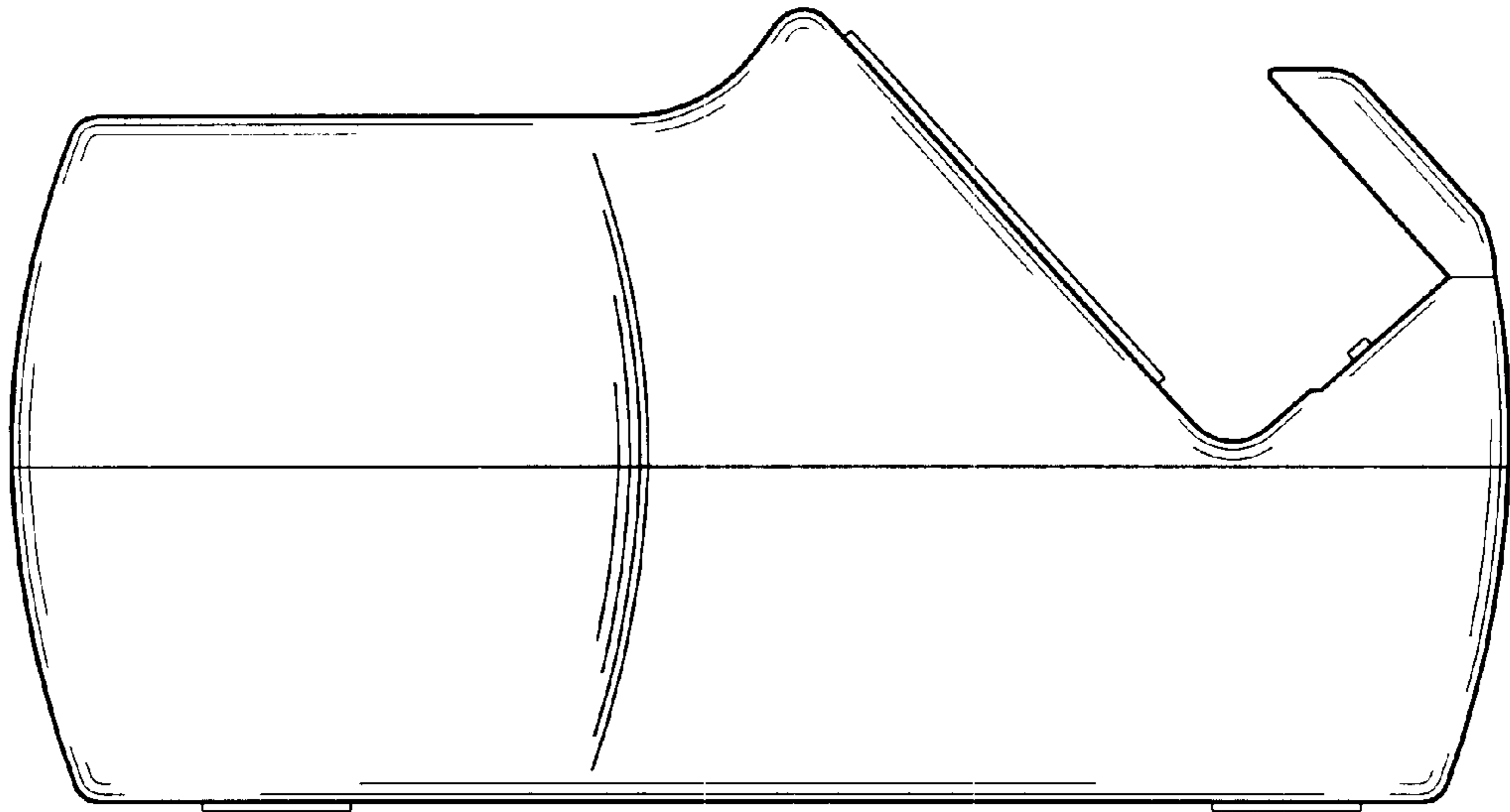


Fig. 4

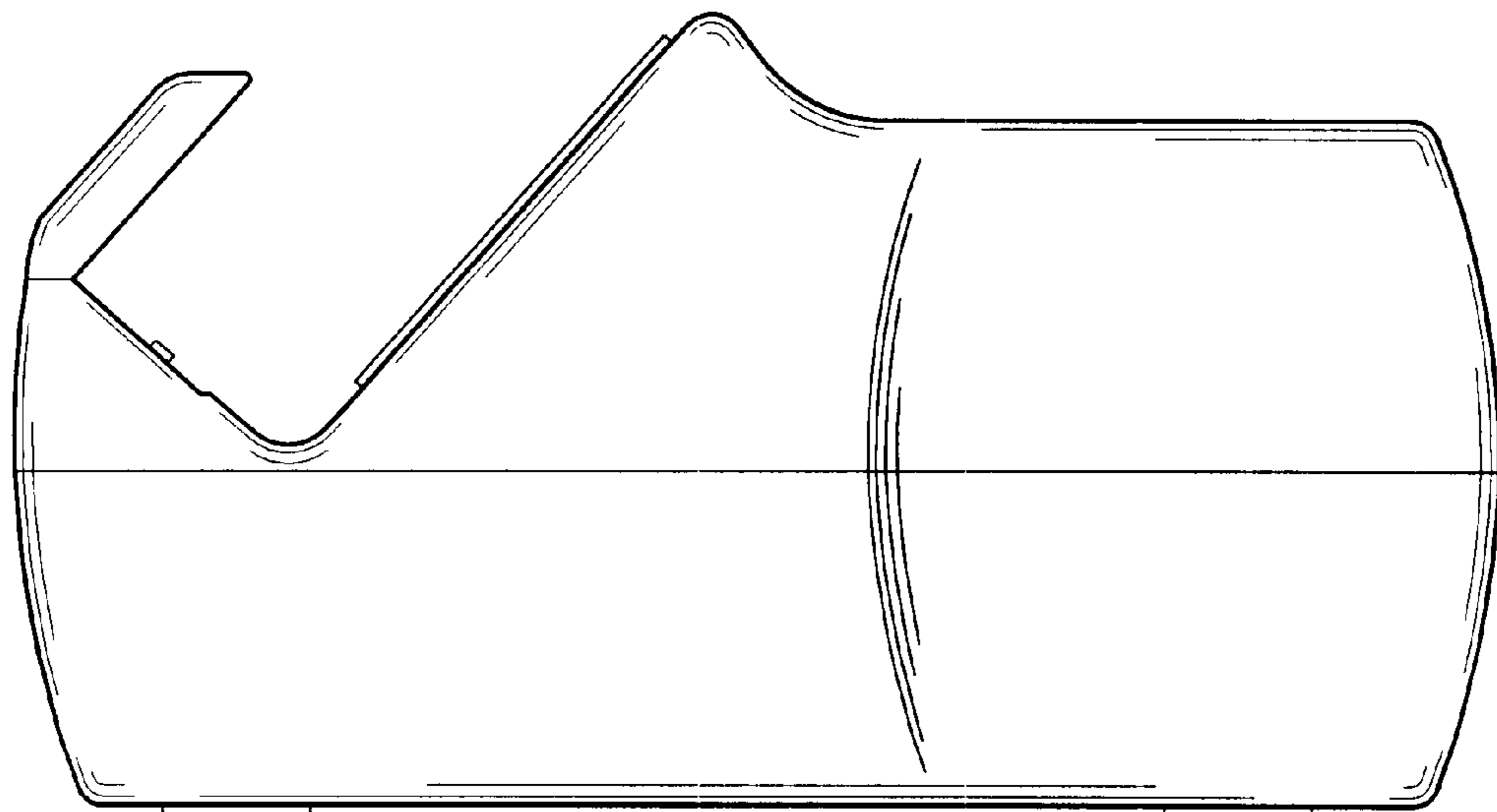


Fig. 5

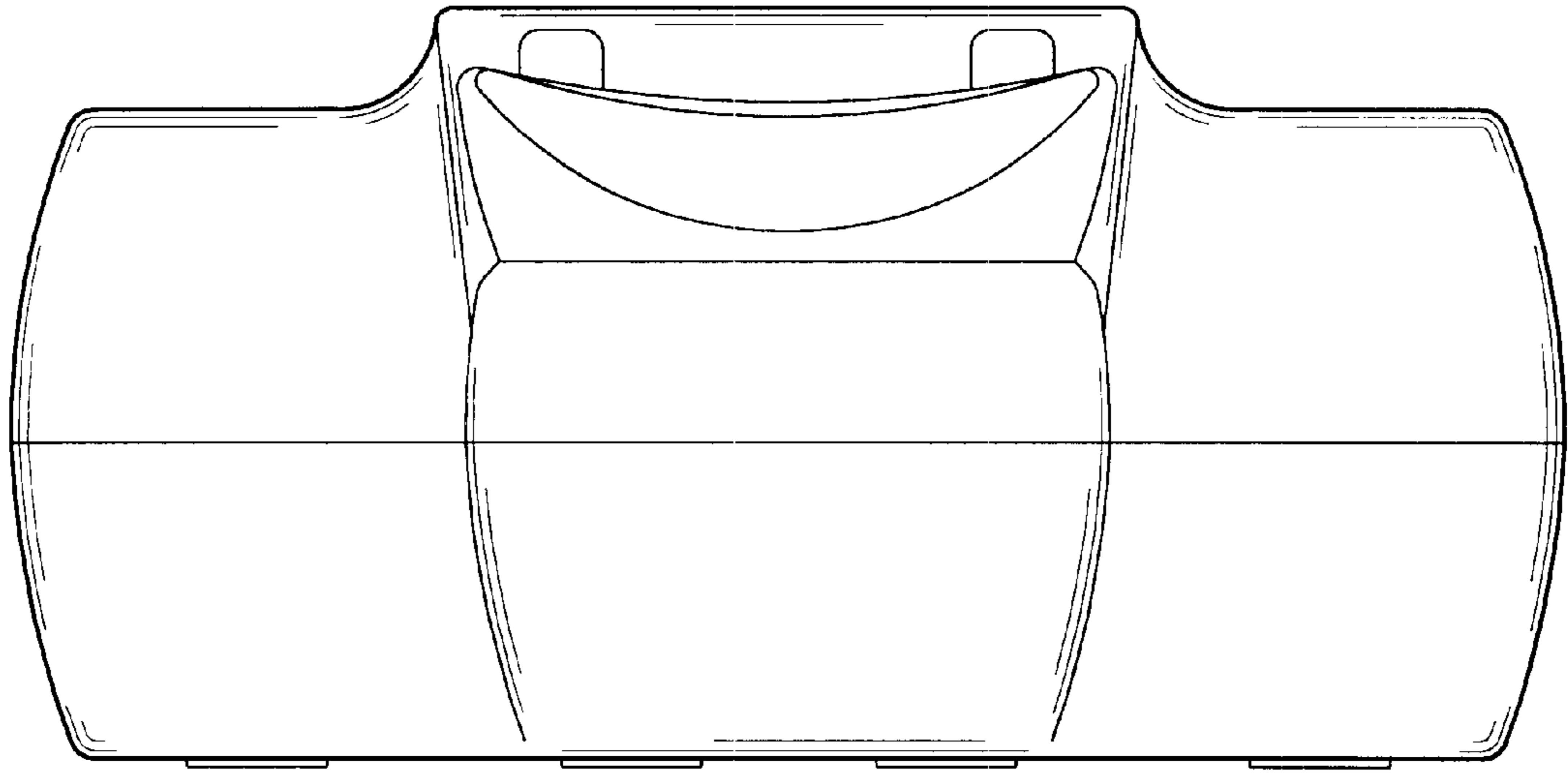


Fig. 6

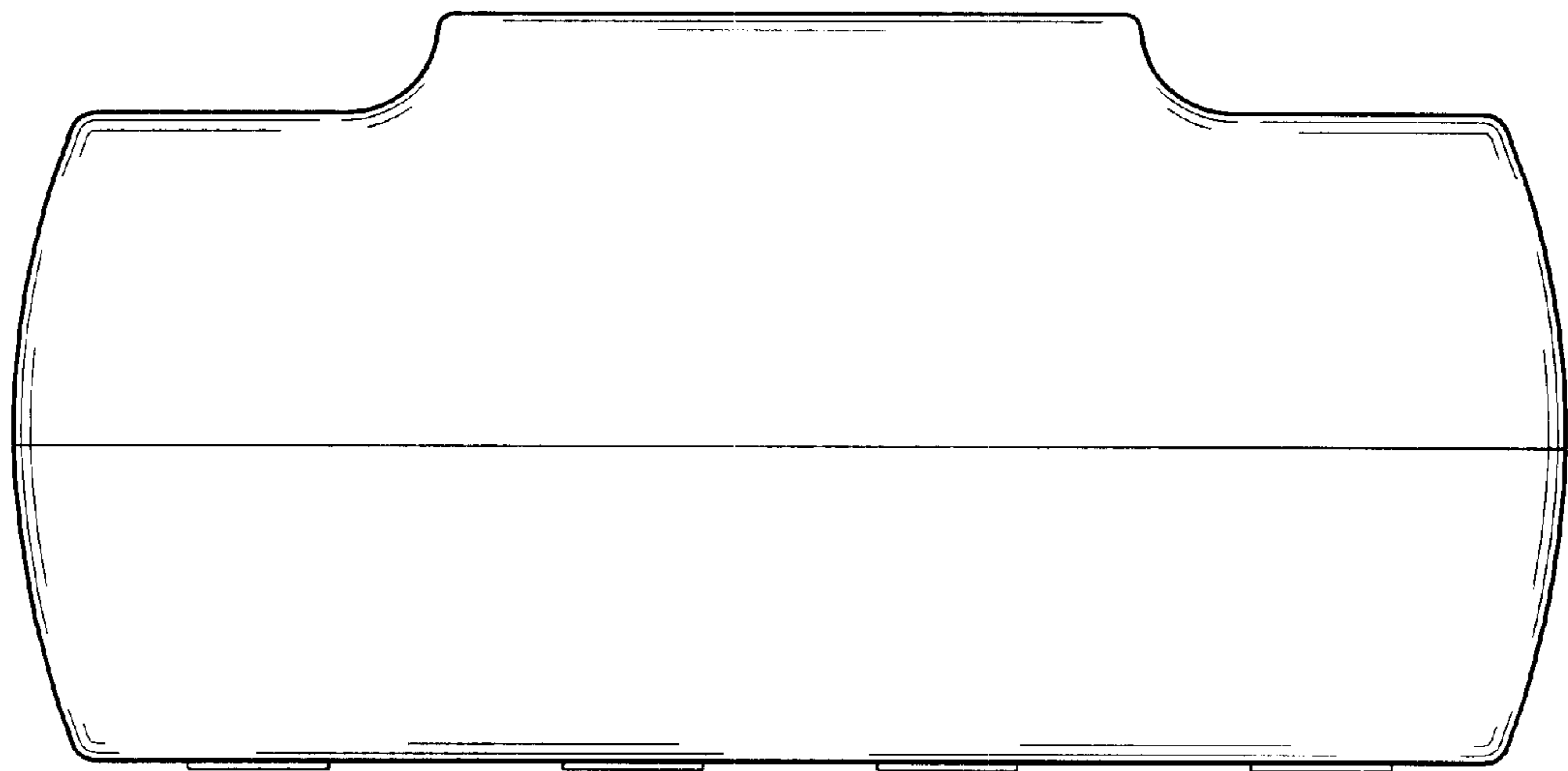


Fig. 7

