



US00D461672S

(12) **United States Design Patent**
Zhao

(10) **Patent No.:** **US D461,672 S**

(45) **Date of Patent:** **** Aug. 20, 2002**

(54) **TOWEL RING**

D451,740 S * 12/2001 Yeh D6/550
D453,434 S * 2/2002 Ou-Young D6/546

(75) Inventor: **WeiDong Zhao**, Xiamen (CN)

OTHER PUBLICATIONS

(73) Assignee: **Xiamen Lota International Co., Ltd.**,
Xiamen (CN)

MatchMakers®—We make the match that makes the room.™ Price Pfister Pfreshest Ideas in Pfaucets—Copyright 2000, Price Pfister, Inc.

(**) Term: **14 Years**

* cited by examiner

(21) Appl. No.: **29/149,652**

Primary Examiner—Brian N. Vinson

(22) Filed: **Oct. 15, 2001**

(74) *Attorney, Agent, or Firm*—Wallenstein & Wagner, Ltd.

(51) **LOC (7) Cl.** **06-04**

(57) **CLAIM**

(52) **U.S. Cl.** **D6/546**

I claim the ornamental design for a towel ring, shown and described.

(58) **Field of Search** D6/546–50, 518,
D6/522–24; D8/300, 307–8, 315–20; 108/29;
211/13.1, 16, 60.1, 86.01, 87.01, 88.04,
105.1–5.2, 106, 123, 181.1; 242/570, 588–90,
597–98; 248/49, 175, 200–1, 205.1, 214,
251–54, 261, 302, 304, 309.1, 314–17

DESCRIPTION

(56) **References Cited**

U.S. PATENT DOCUMENTS

D388,271 S * 12/1997 Moore D6/546
D394,972 S * 6/1998 Moore et al. D6/550
D436,776 S * 1/2001 Chen D6/524

FIG. 1 is a perspective view of the towel bar of the invention;
FIG. 2 is a side view of the towel bar of FIG. 1;
FIG. 3 is a top view of the towel bar of FIG. 1;
FIG. 4 is a front view of the towel bar of FIG. 1;
FIG. 5 is a bottom view of the towel bar of FIG. 1; and,
FIG. 6 is a rear view of the towel bar of FIG. 1.

1 Claim, 3 Drawing Sheets

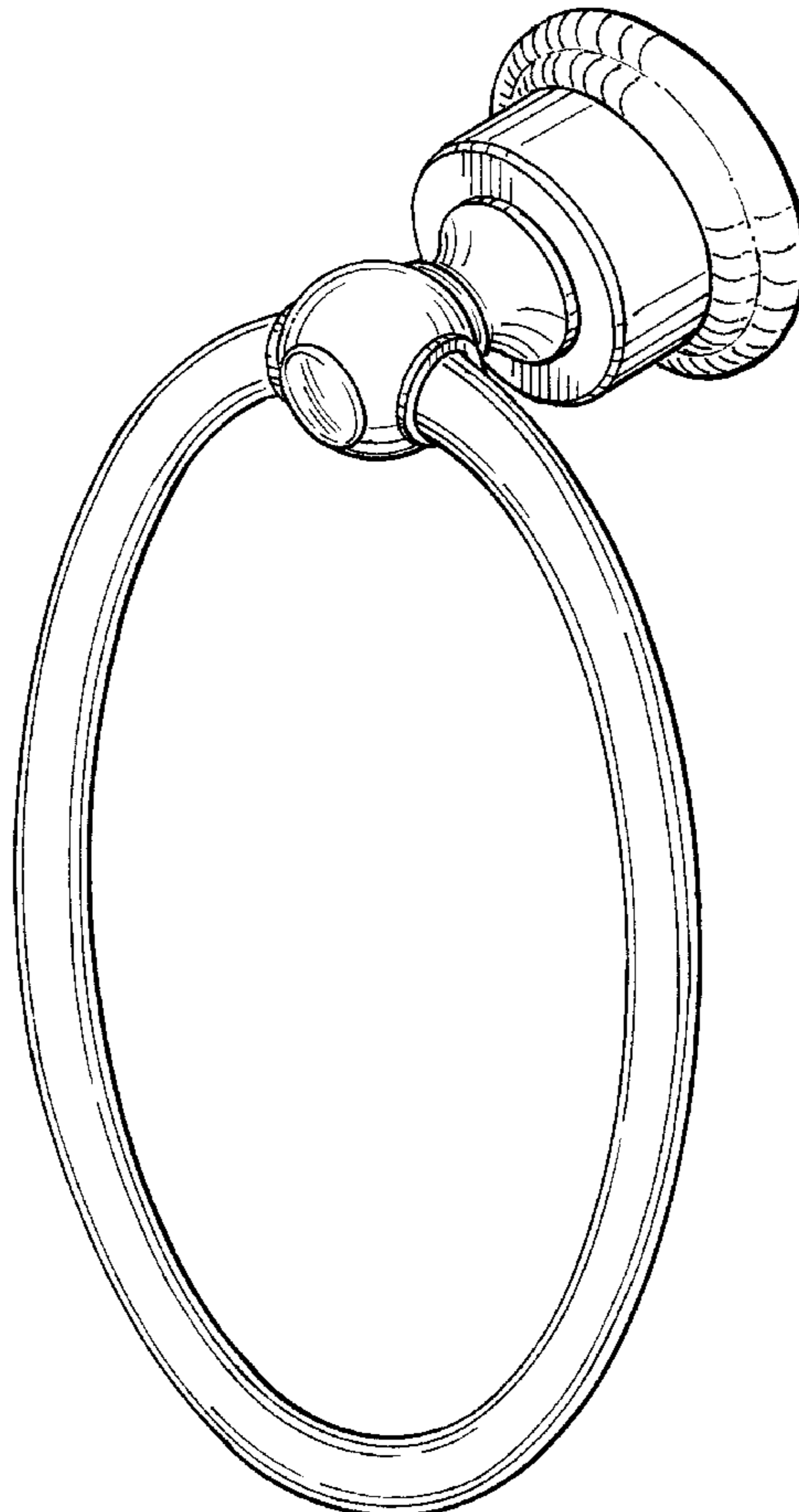


FIG.1

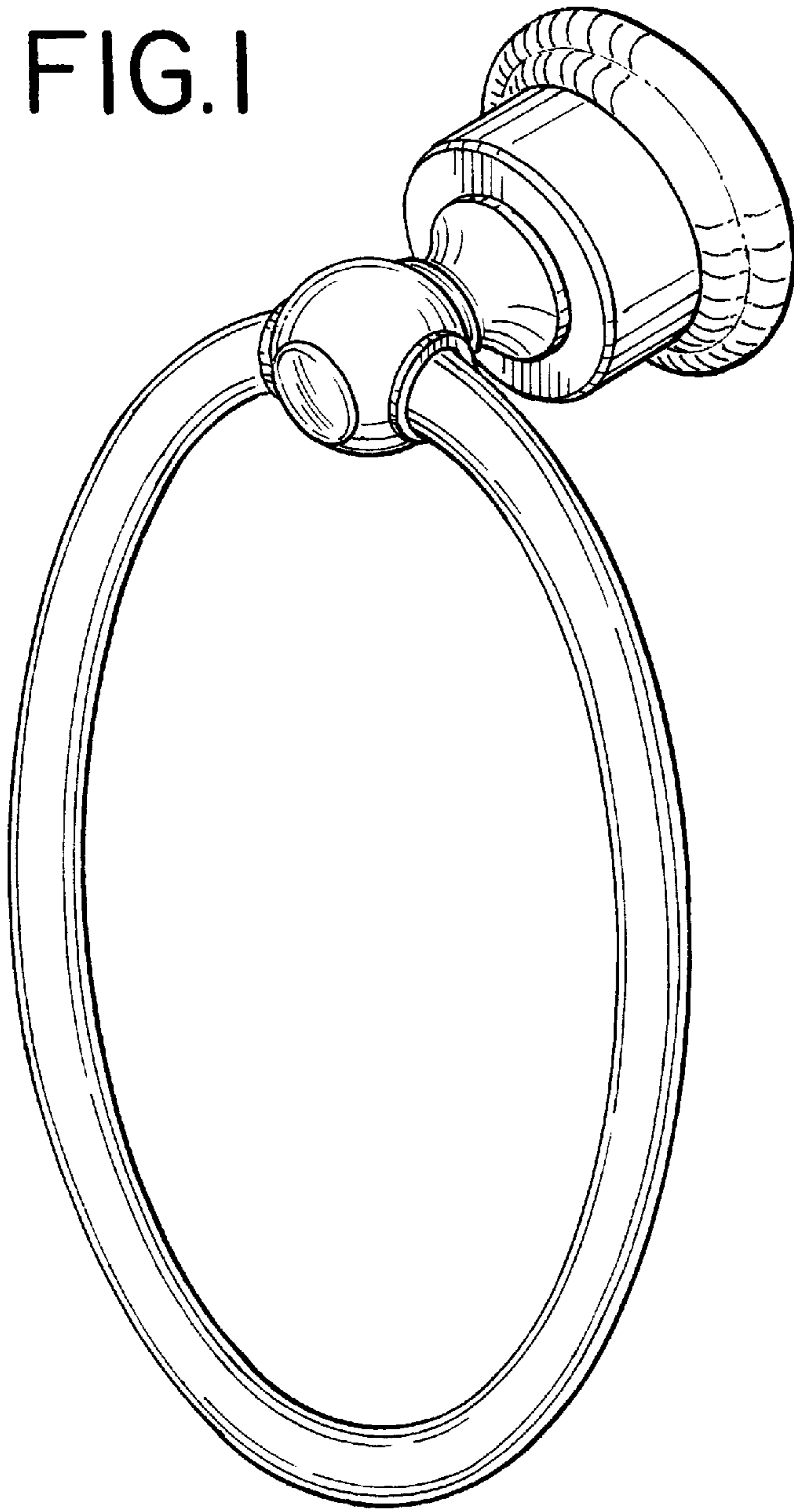


FIG.2

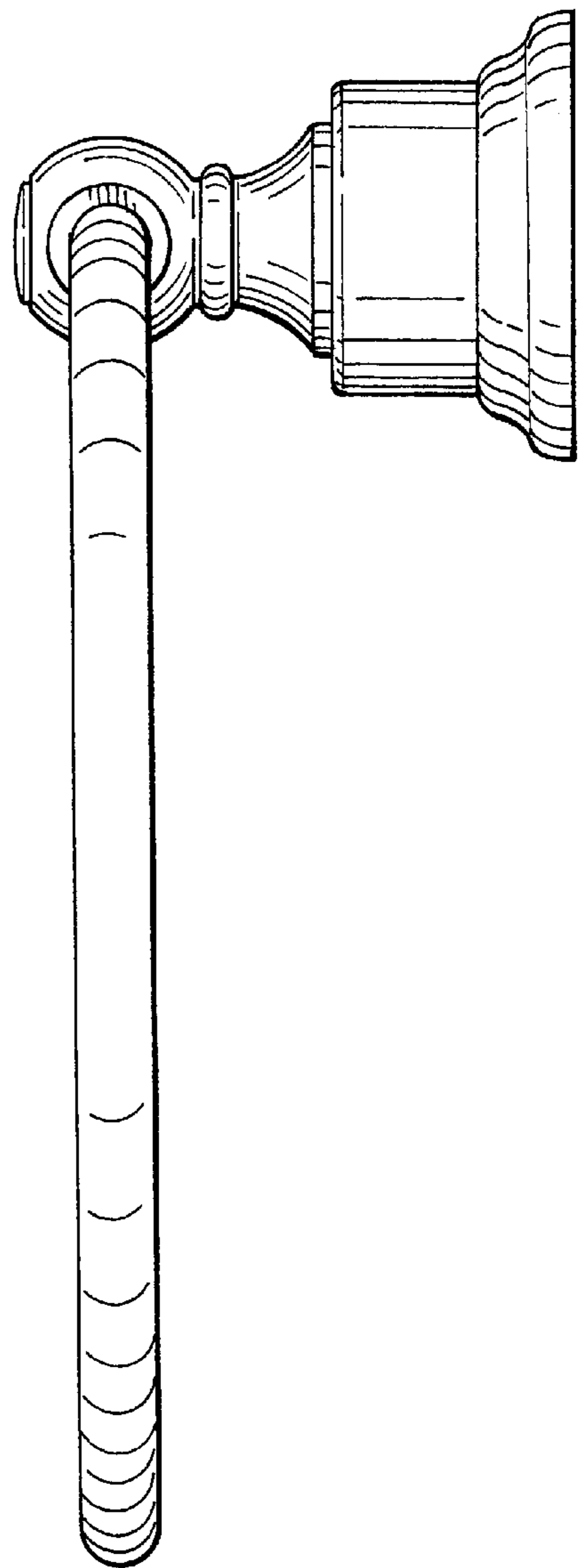


FIG.3

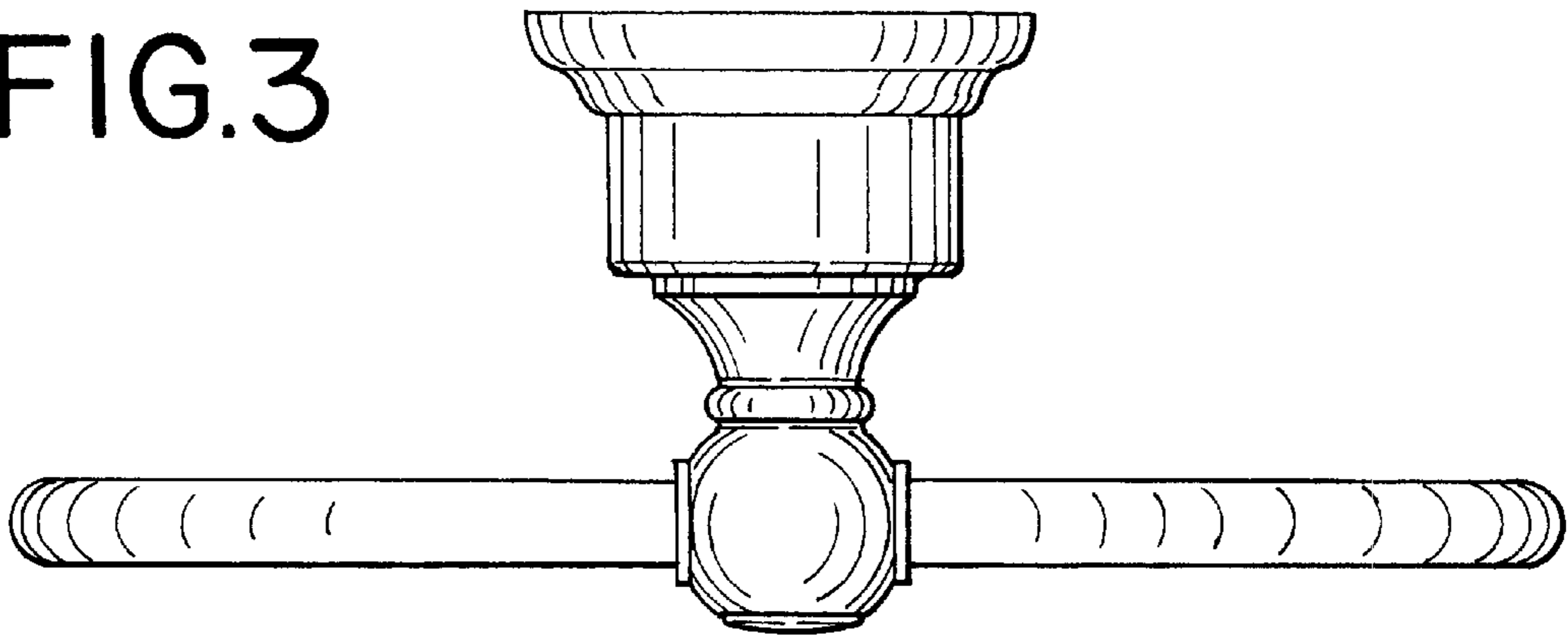


FIG.4

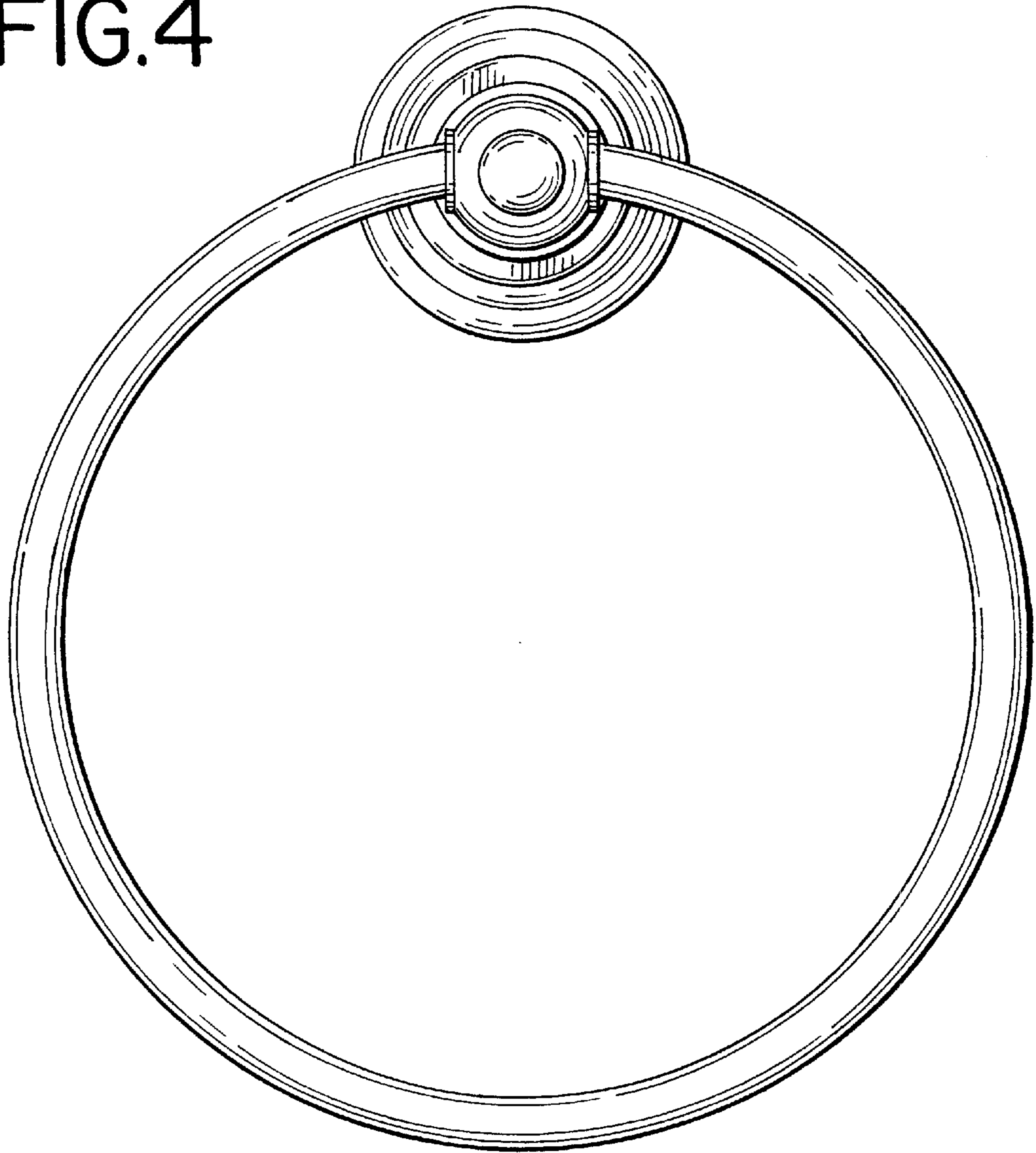


FIG. 5

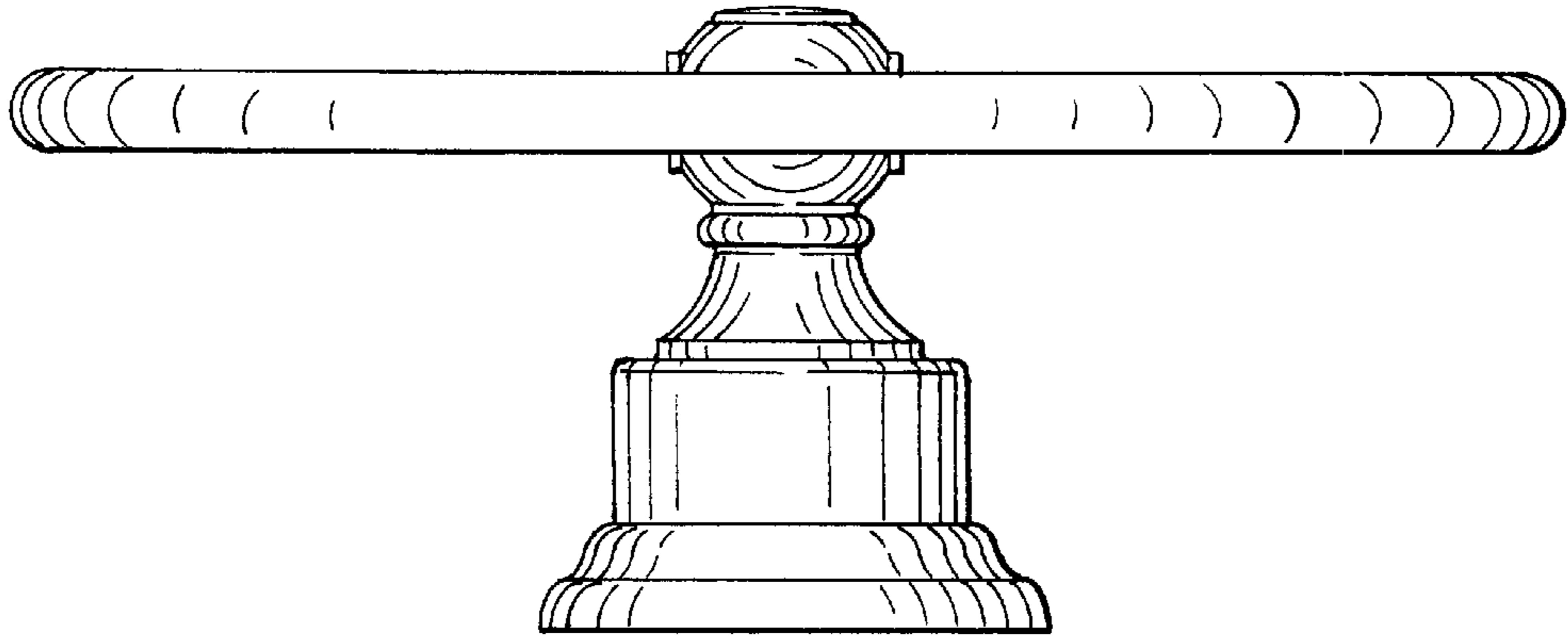


FIG. 6

