



US00D461670S

(12) **United States Design Patent**
Hill

(10) **Patent No.:**

US D461,670 S

(45) **Date of Patent:**

**** Aug. 20, 2002**

(54) **TOOTHBRUSH HOLDER/STERILIZER**

4,950,902 A 8/1990 Ritter

4,978,003 A 12/1990 Foster

6,096,264 A * 8/2000 Peifer D6/526

(76) Inventor: **Kenneth Hill**, 55 Fieldside Dr., Apt. C,
Groton, CT (US) 06340-3503

* cited by examiner

(**) Term: **14 Years**

Primary Examiner—Brian N. Vinson

(74) *Attorney, Agent, or Firm*—Donald R. Schoonover

(21) Appl. No.: **29/145,202**

(22) Filed: **Jul. 19, 2001**

(57) **CLAIM**

(51) **LOC (7) Cl.** **23-02**

The ornamental design for a toothbrush holder/sterilizer, as shown and described.

(52) **U.S. Cl.** **D6/528**

(58) **Field of Search** D6/524, 527, 526,
D6/528, 534; 206/349, 361, 362, 362.1,
362.2, 362.3

DESCRIPTION

(56) **References Cited**

U.S. PATENT DOCUMENTS

1,507,466 A	9/1924	Collins	
3,881,868 A	5/1975	Duke	
3,904,362 A	9/1975	DiPaolo	
D278,778 S	5/1985	Brown	
D301,098 S	* 5/1989	Morris D6/528
4,888,487 A	12/1989	Ritter	

FIG. 1 is a perspective view of the toothbrush holder/sterilizer embodying the design of the present invention.

FIG. 2 is a front elevational view thereof;

FIG. 3 is a rear elevational view thereof;

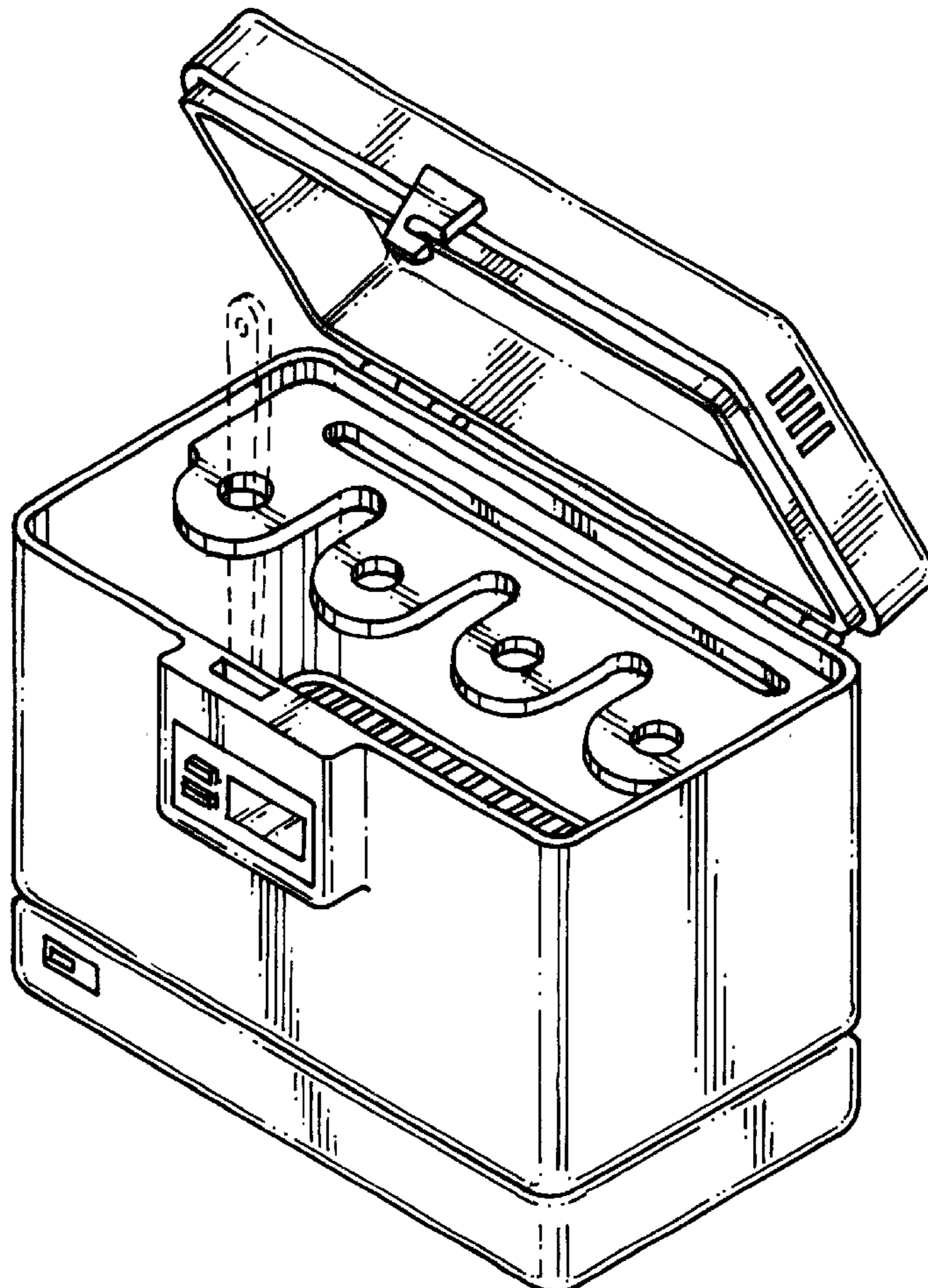
FIG. 4 is a side elevational view thereof;

FIG. 5 is a top plan view thereof; and,

FIG. 6 is a bottom plan view thereof.

The broken line showing of environment is for illustrative purposes only and forms no part of the claimed design.

1 Claim, 4 Drawing Sheets



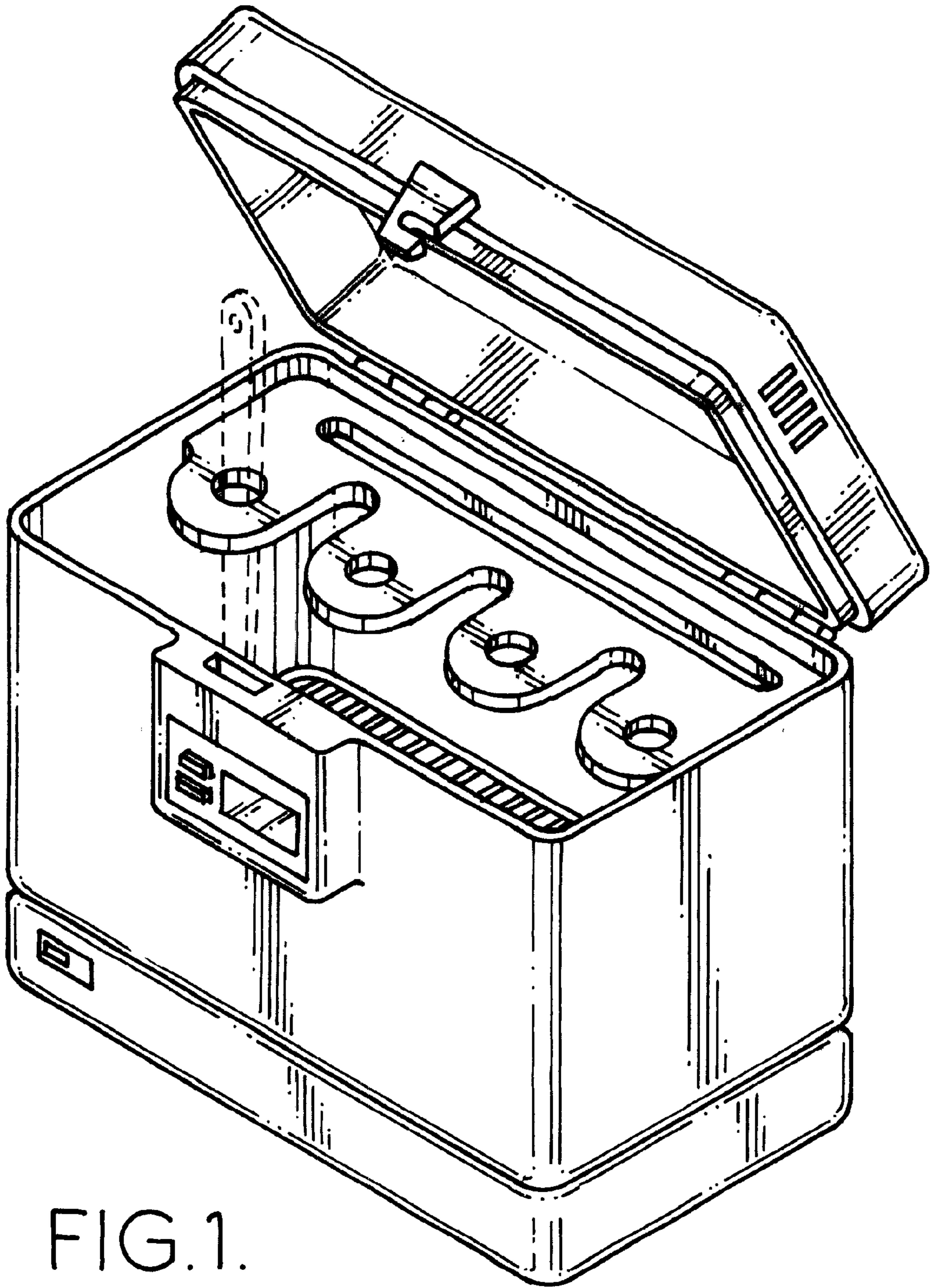


FIG. 1.

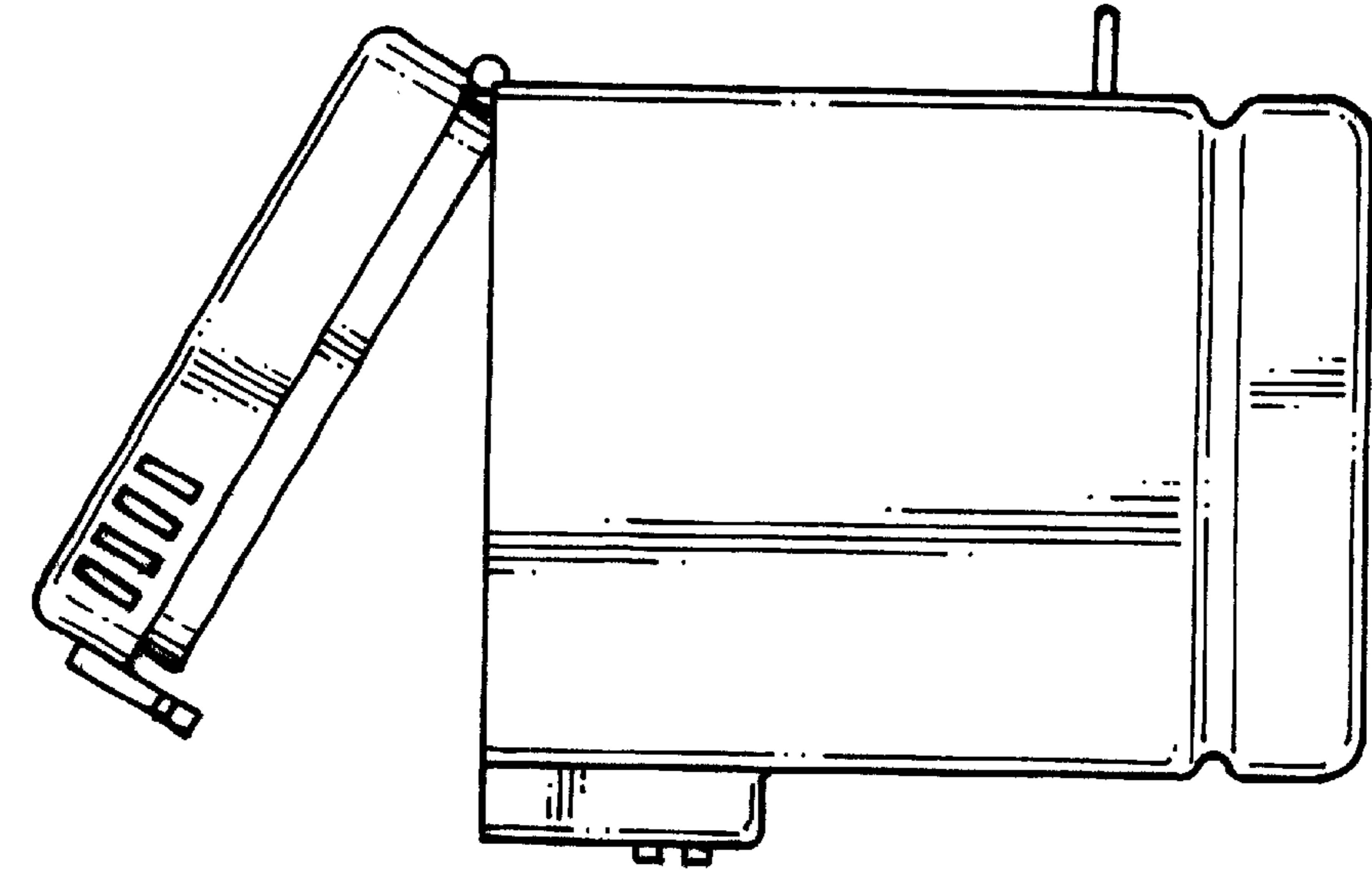


FIG. 4.

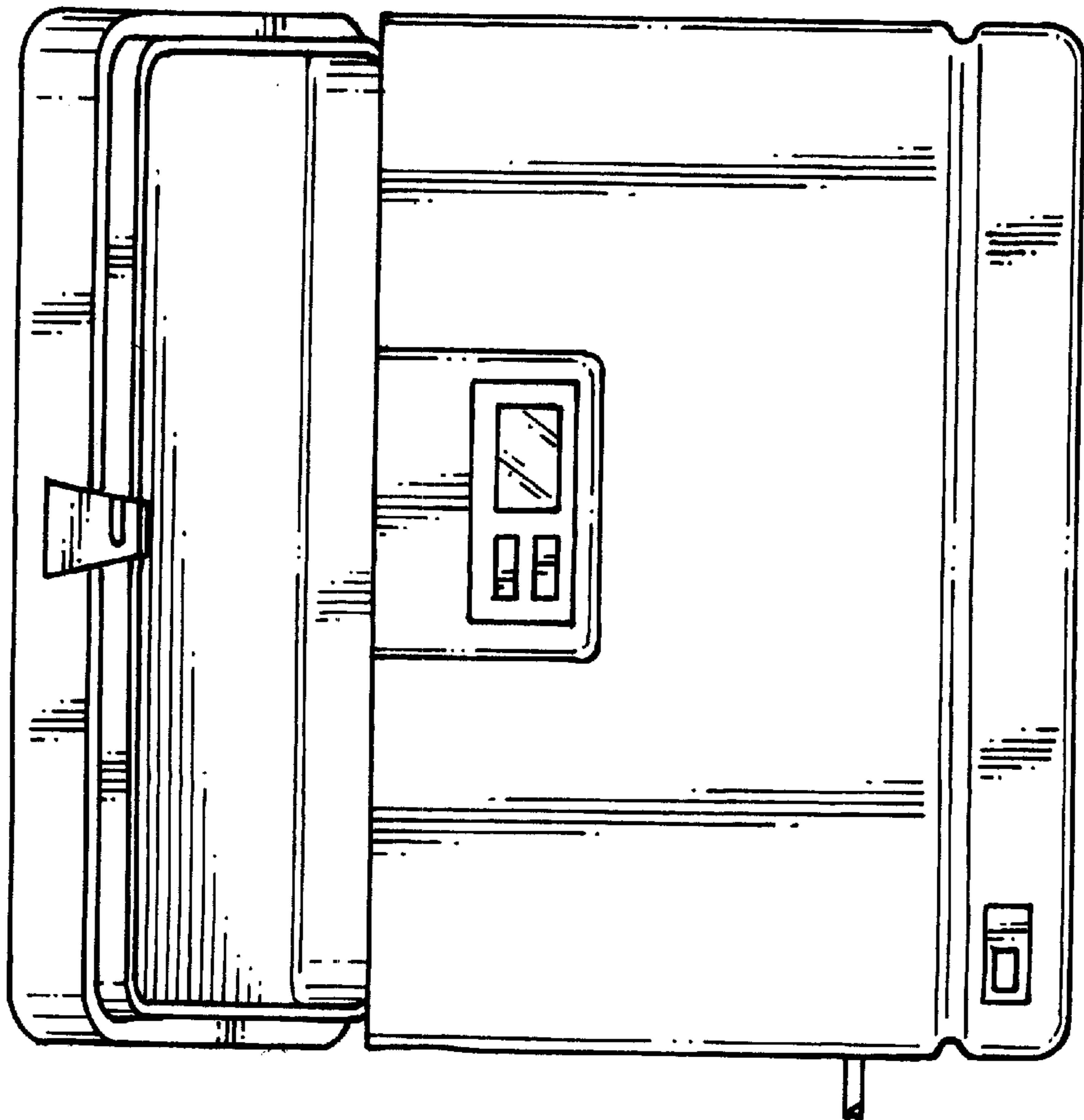


FIG. 2.

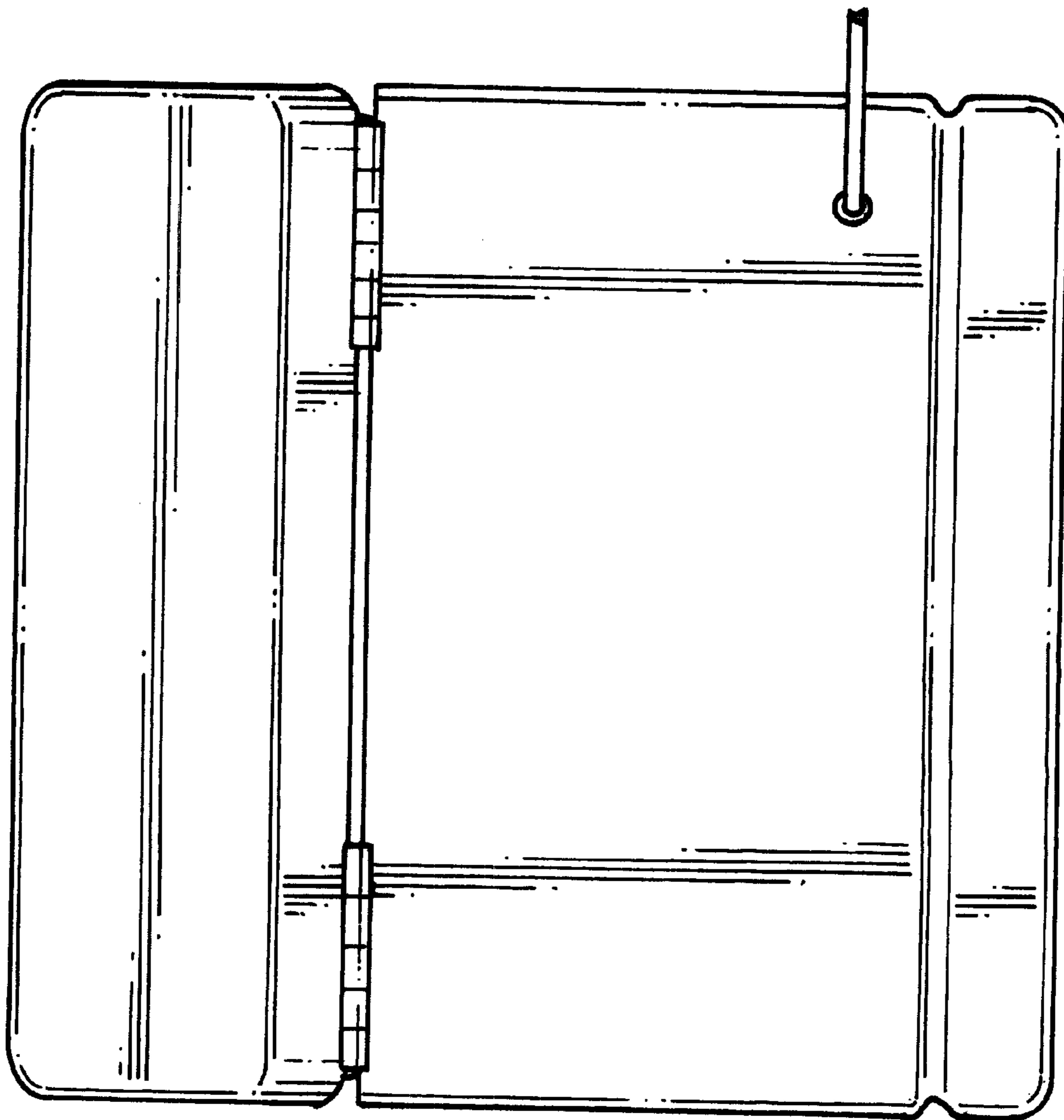


FIG. 3.

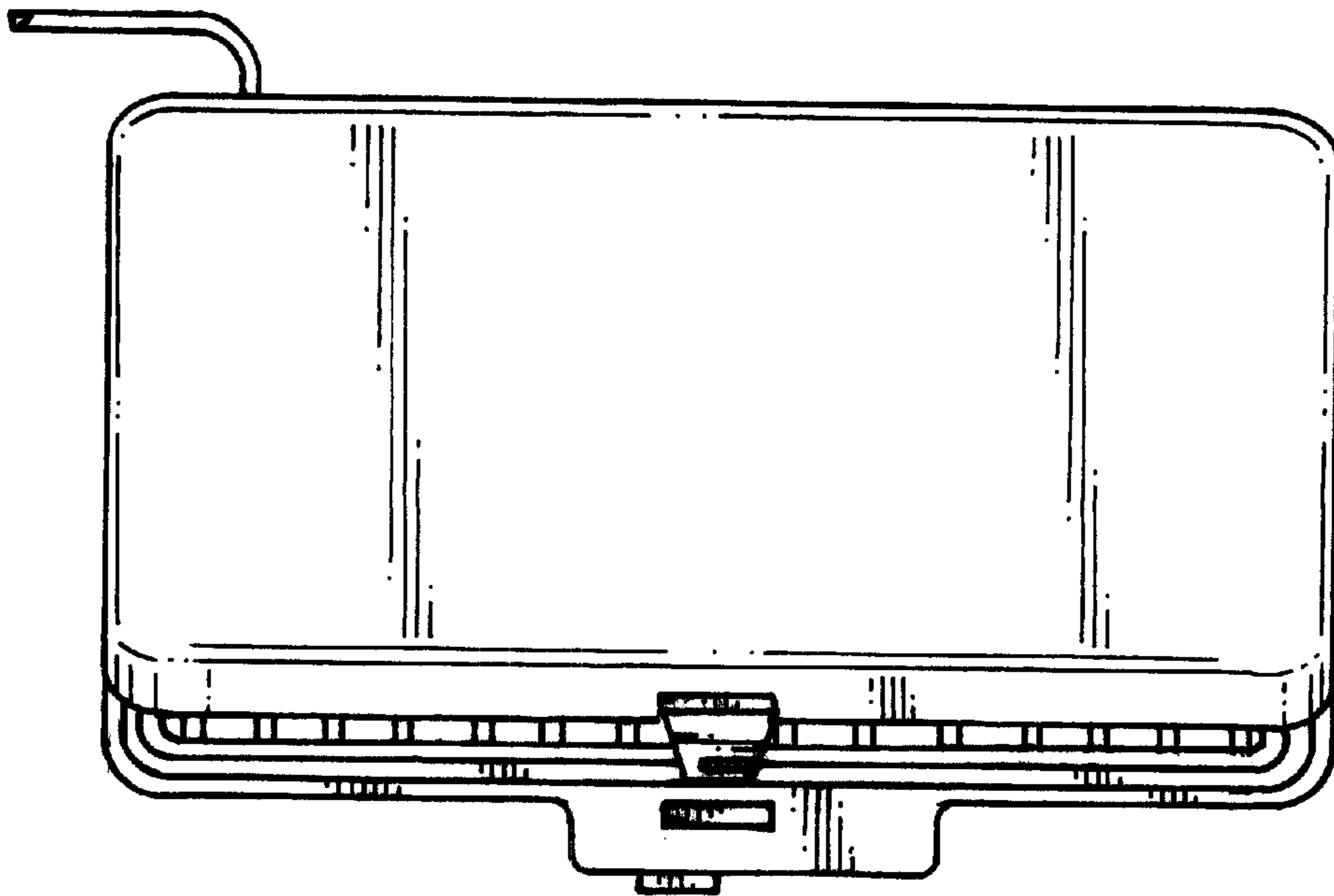


FIG. 5.

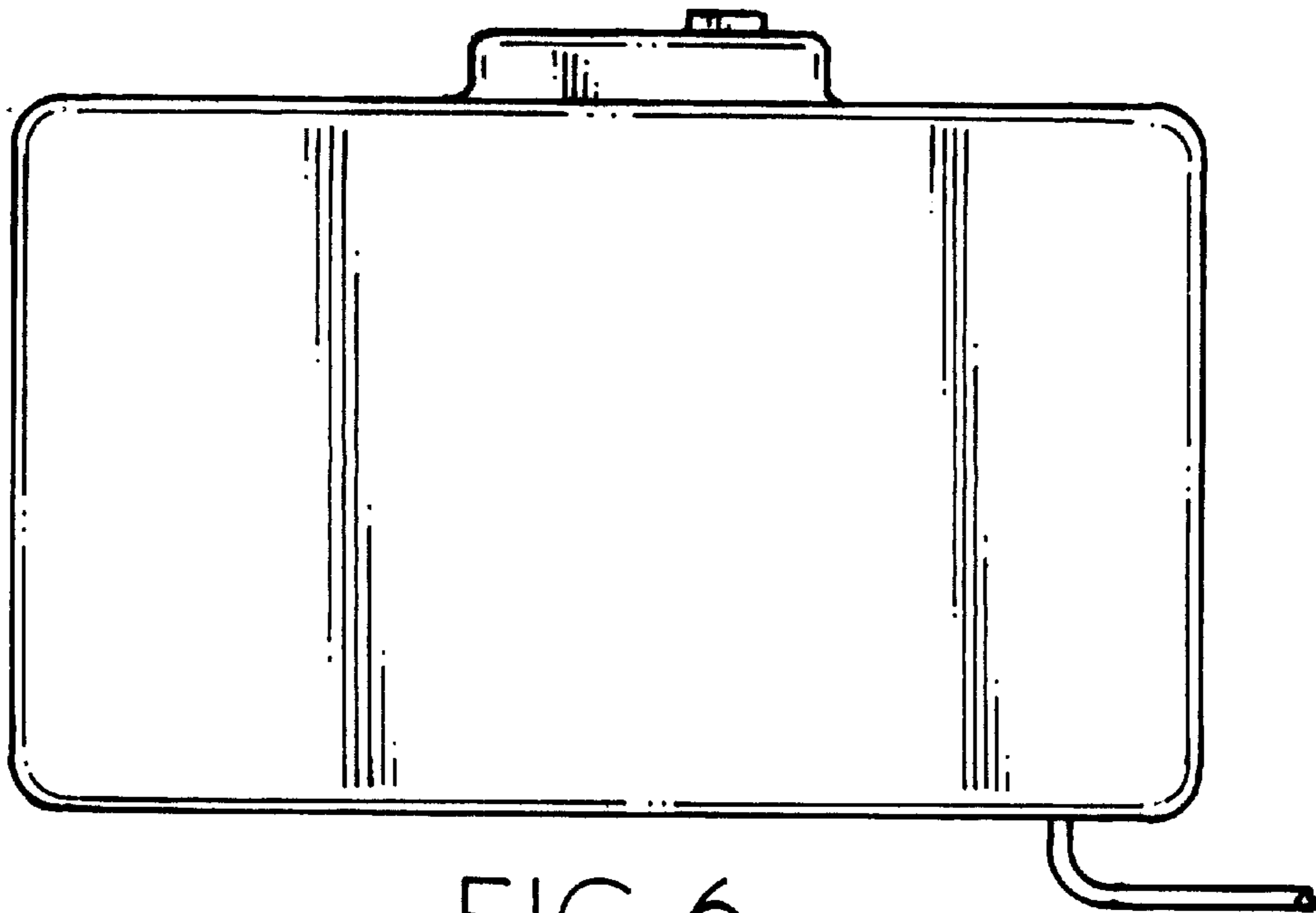


FIG. 6.