



US00D461668S

(12) **United States Design Patent**  
**Zadro**

(10) **Patent No.:** **US D461,668 S**

(45) **Date of Patent:** **\*\* Aug. 20, 2002**

(54) **HEIGHT ADJUSTABLE SHOWER CADDY**

D447,900 S \* 9/2001 Wright ..... D6/525

(76) Inventor: **Zlatko Zadro**, 5422 Argosy Dr.,  
Huntington Beach, CA (US) 92649

\* cited by examiner

(\*\*) Term: **14 Years**

*Primary Examiner*—Brian N. Vinson  
(74) *Attorney, Agent, or Firm*—William L. Chapin

(21) Appl. No.: **29/152,931**

(57) **CLAIM**

(22) Filed: **Dec. 31, 2001**

The ornamental design for a height adjustable shower caddy,  
as shown and described.

(51) **LOC (7) Cl.** ..... **23-02**

**DESCRIPTION**

(52) **U.S. Cl.** ..... **D6/525**

(58) **Field of Search** ..... D6/524, 525, 566;  
108/14; 211/13.1, 71, 74, 75, 86.01, 87.01,  
88.01, 90.01, 90.03, 181.1

FIG. 1 is a front perspective view of a height adjustable  
shower caddy according to the present invention.

FIG. 2 is a front elevation view thereof.

FIG. 3 is a left side elevation view thereof, the right side  
elevation view being a mirror image thereof.

FIG. 4 is a rear elevation view thereof.

FIG. 5 is a lower plan view thereof; and,

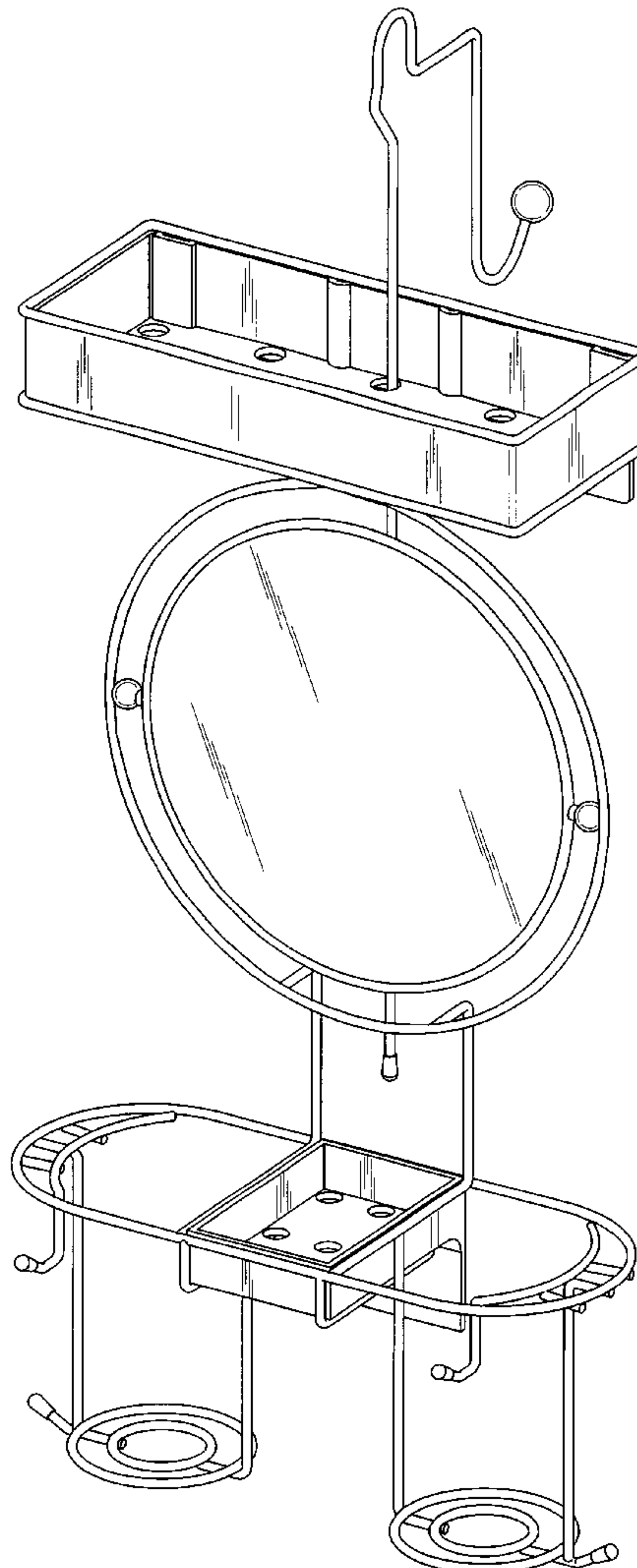
FIG. 6 is an upper plan view thereof.

(56) **References Cited**

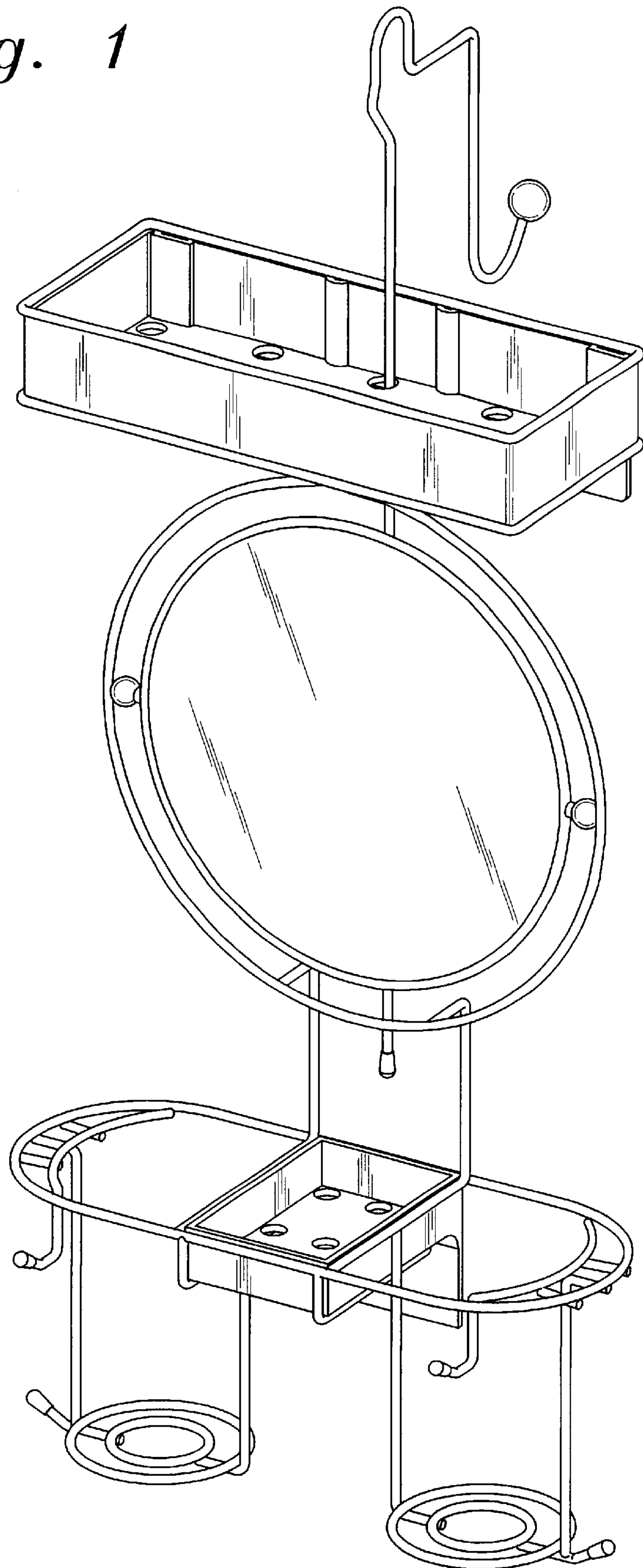
**U.S. PATENT DOCUMENTS**

D368,128 S	*	3/1996	McCarthy	.....	D6/525 X
D377,286 S	*	1/1997	Munoz	.....	D6/525
D415,916 S	*	11/1999	Hofman et al.	.....	D6/525
D417,990 S	*	12/1999	Yemini	.....	D6/525

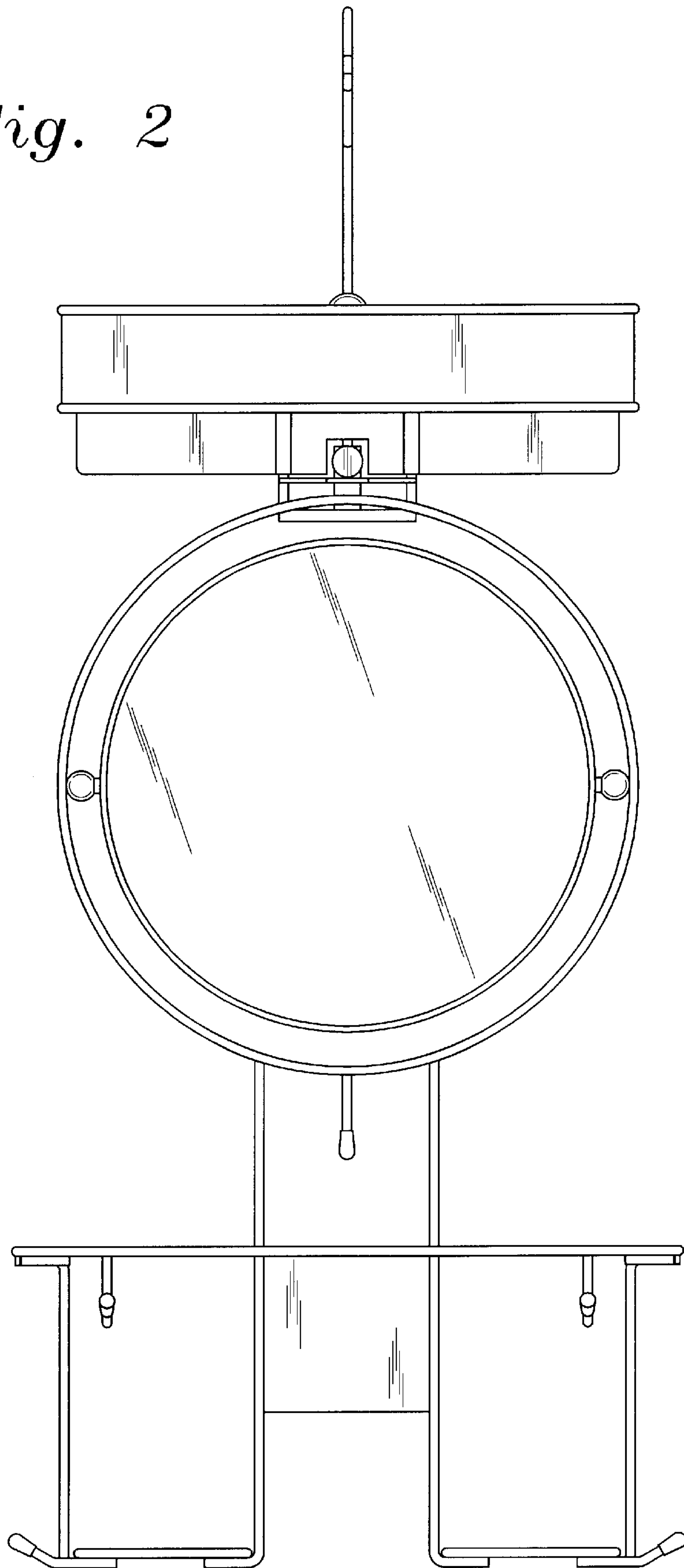
**1 Claim, 5 Drawing Sheets**

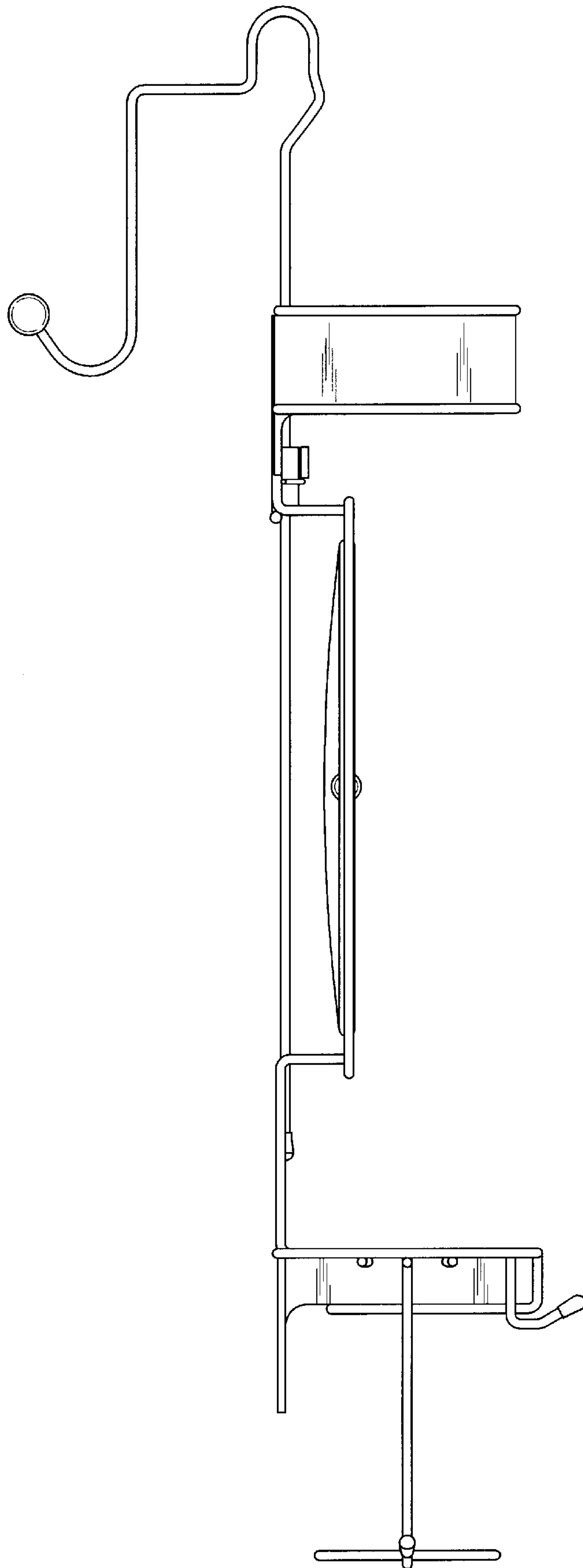


*Fig. 1*



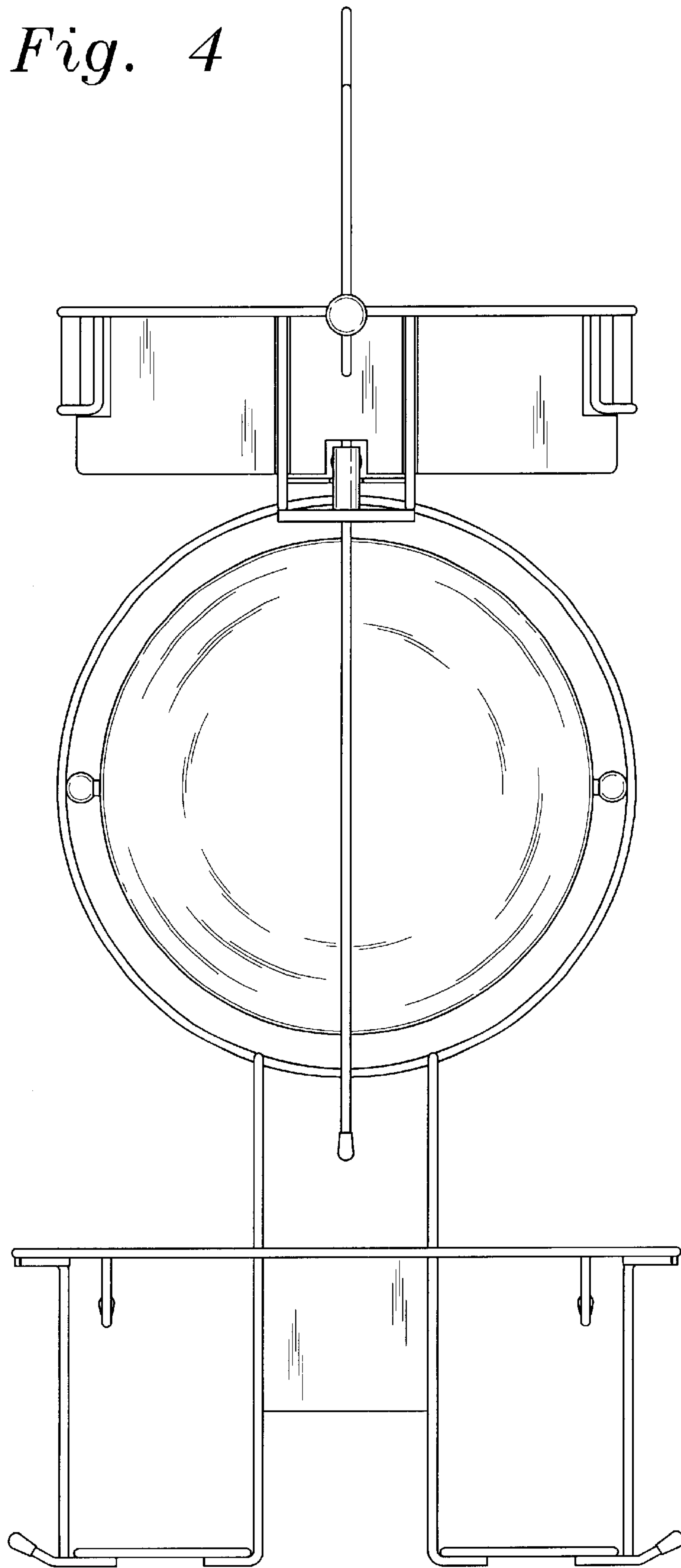
*Fig. 2*



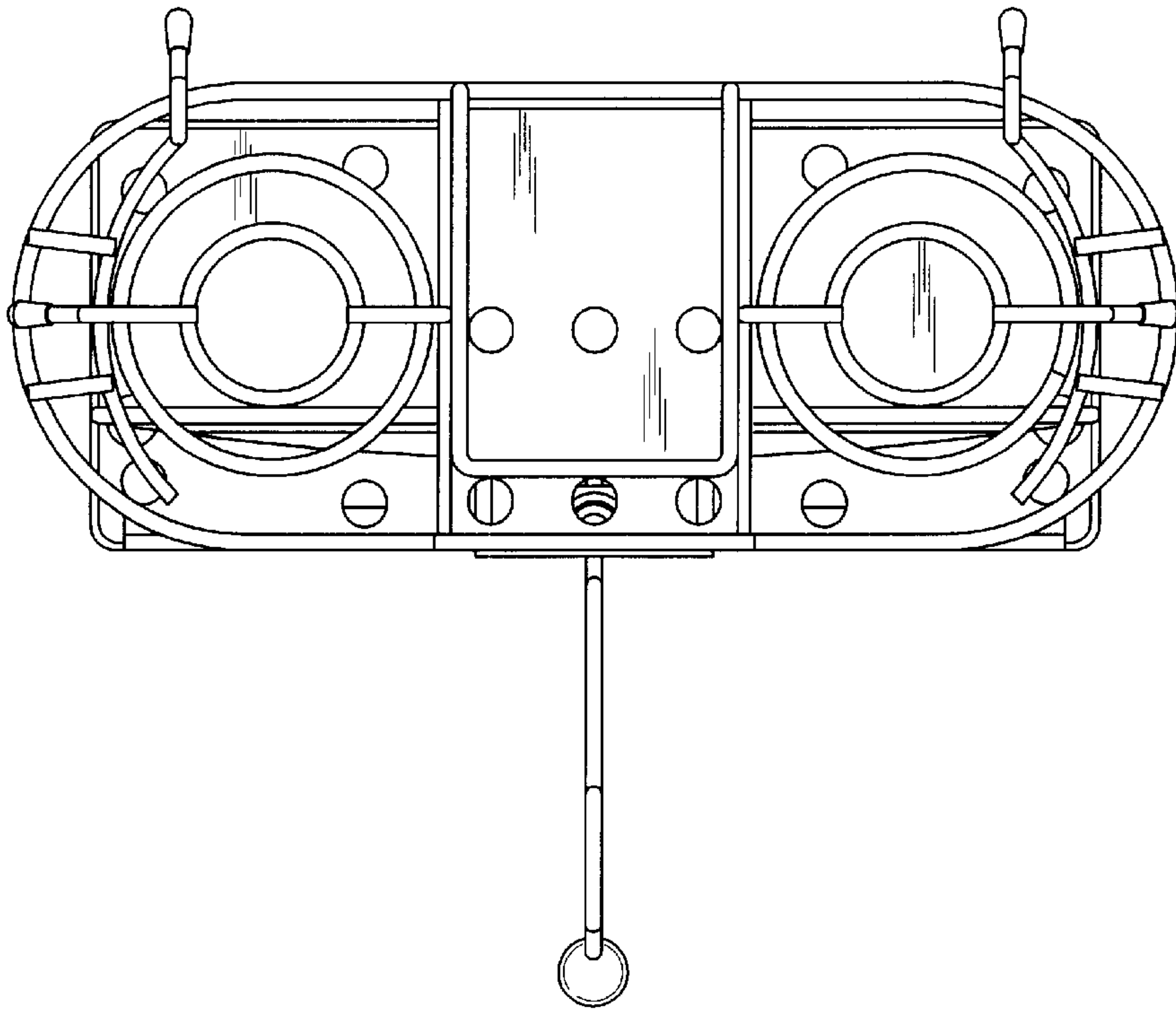


*Fig. 3*

*Fig. 4*



*Fig. 5*



*Fig. 6*

