



US00D461667S

(12) **United States Design Patent**
Jordan

(10) **Patent No.:** **US D461,667 S**

(45) **Date of Patent:** **** Aug. 20, 2002**

(54) **TOILET PAPER TREE**

(76) Inventor: **Terri Jordan**, 291 N. Oak St. # G,
Orange, CA (US) 92867

(**) Term: **14 Years**

(21) Appl. No.: **29/139,953**

(22) Filed: **Apr. 9, 2001**

(51) **LOC (7) Cl.** **20-02**

(52) **U.S. Cl.** **D6/520**

(58) **Field of Search** D6/518-523; 206/389,
206/391; 211/13.1, 45; 242/560, 570, 590,
597; 248/176.1

(56) **References Cited**

U.S. PATENT DOCUMENTS

D166,534 S	*	4/1952	Grady	D6/520 X
D205,184 S	*	7/1966	Johnson	D6/520 X
D313,716 S	*	1/1991	Jacques	D6/523
D383,342 S	*	9/1997	Duncan	D6/520
D386,339 S	*	11/1997	Schneider	D6/520
D415,642 S	*	10/1999	Daley	D6/523

* cited by examiner

Primary Examiner—Brian N. Vinson

(74) *Attorney, Agent, or Firm*—Goldstein & Lavas, P.C.

(57) **CLAIM**

The ornamental design for a toilet paper tree, as shown and described.

DESCRIPTION

FIG. 1 is a perspective view of a toilet paper rolls holder in full lines with rolls of toilet paper shown in broken lines representing environmental association matter being for illustrative purposes only and forming no part of the claimed invention.

FIG. 2 is a front elevational view thereof.

FIG. 3 is a rear elevational view thereof.

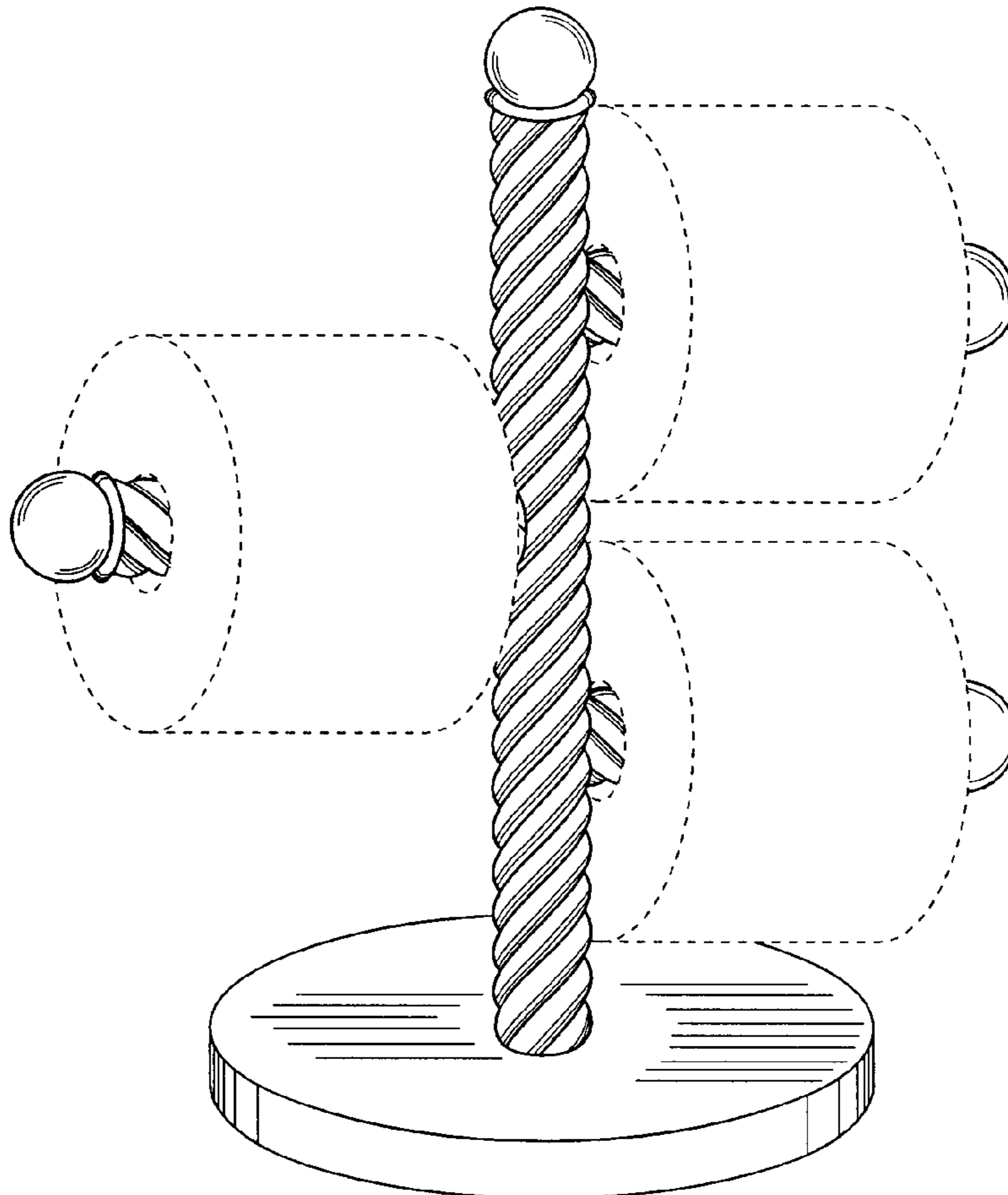
FIG. 4 is a left side elevational view thereof.

FIG. 5 is a right side elevational view.

FIG. 6 is a top plan view of the toilet paper rolls holder; and,

FIG. 7 is a bottom plan view thereof.

1 Claim, 4 Drawing Sheets



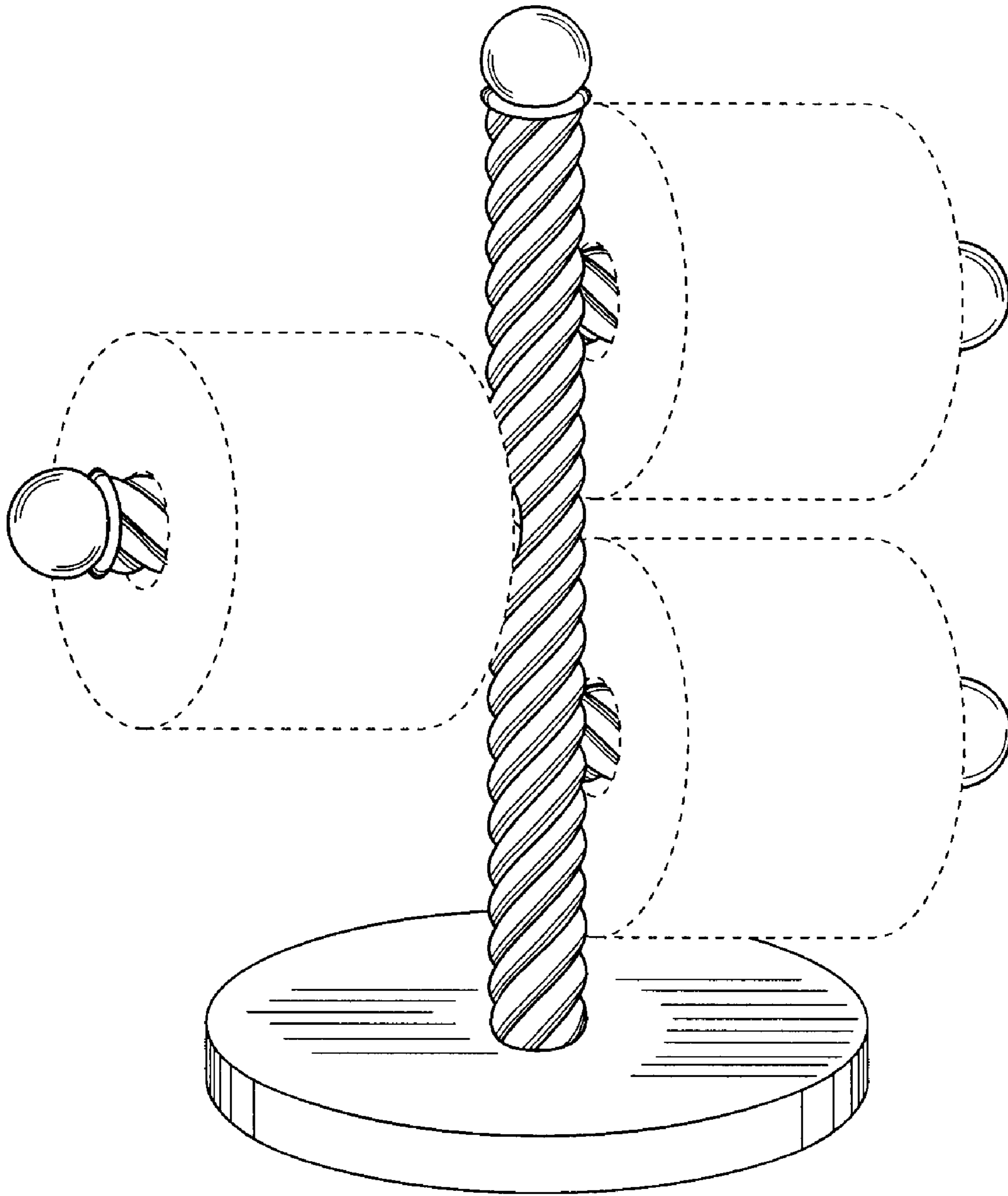


FIG. 1

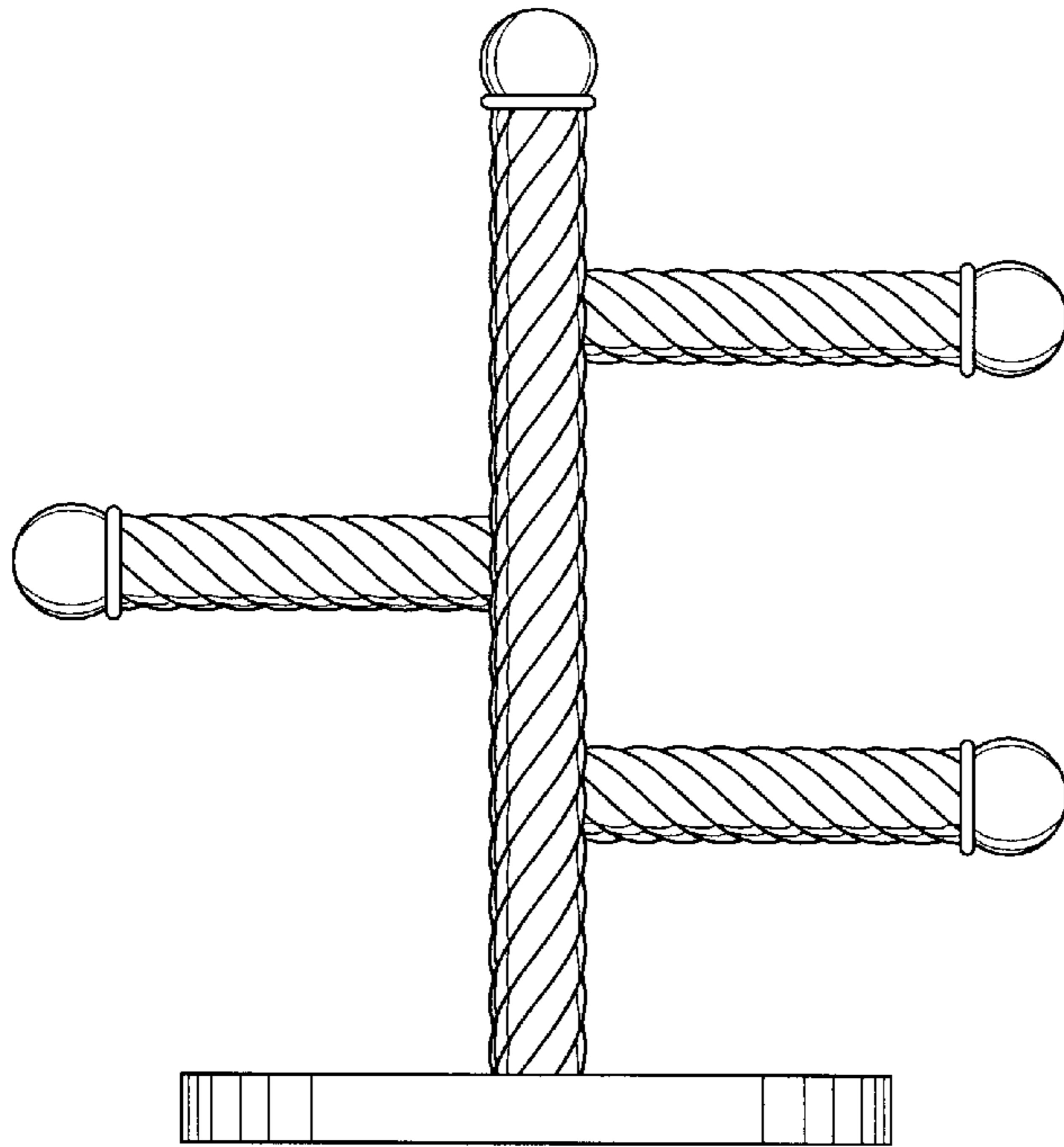


FIG. 2

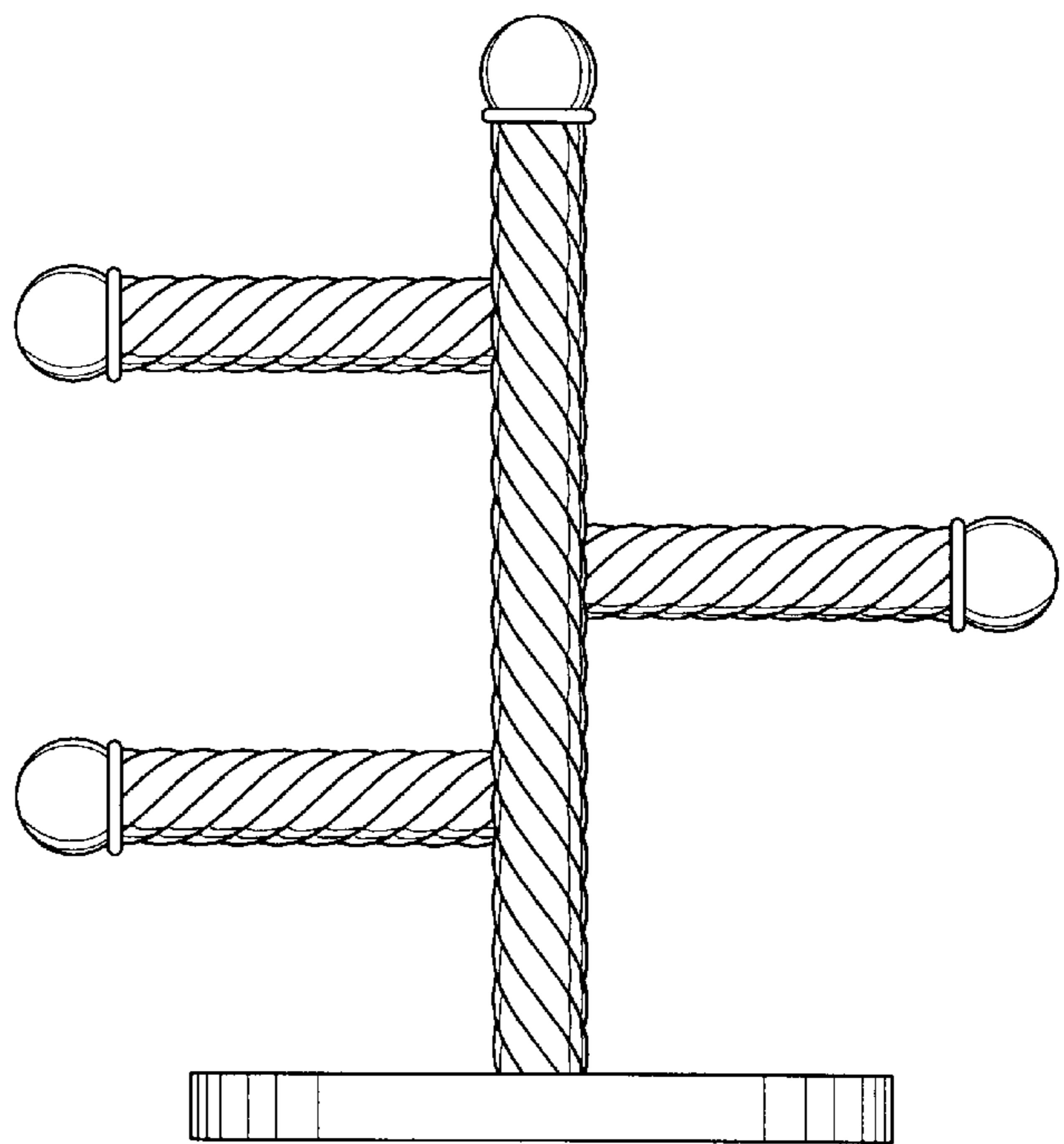


FIG. 3

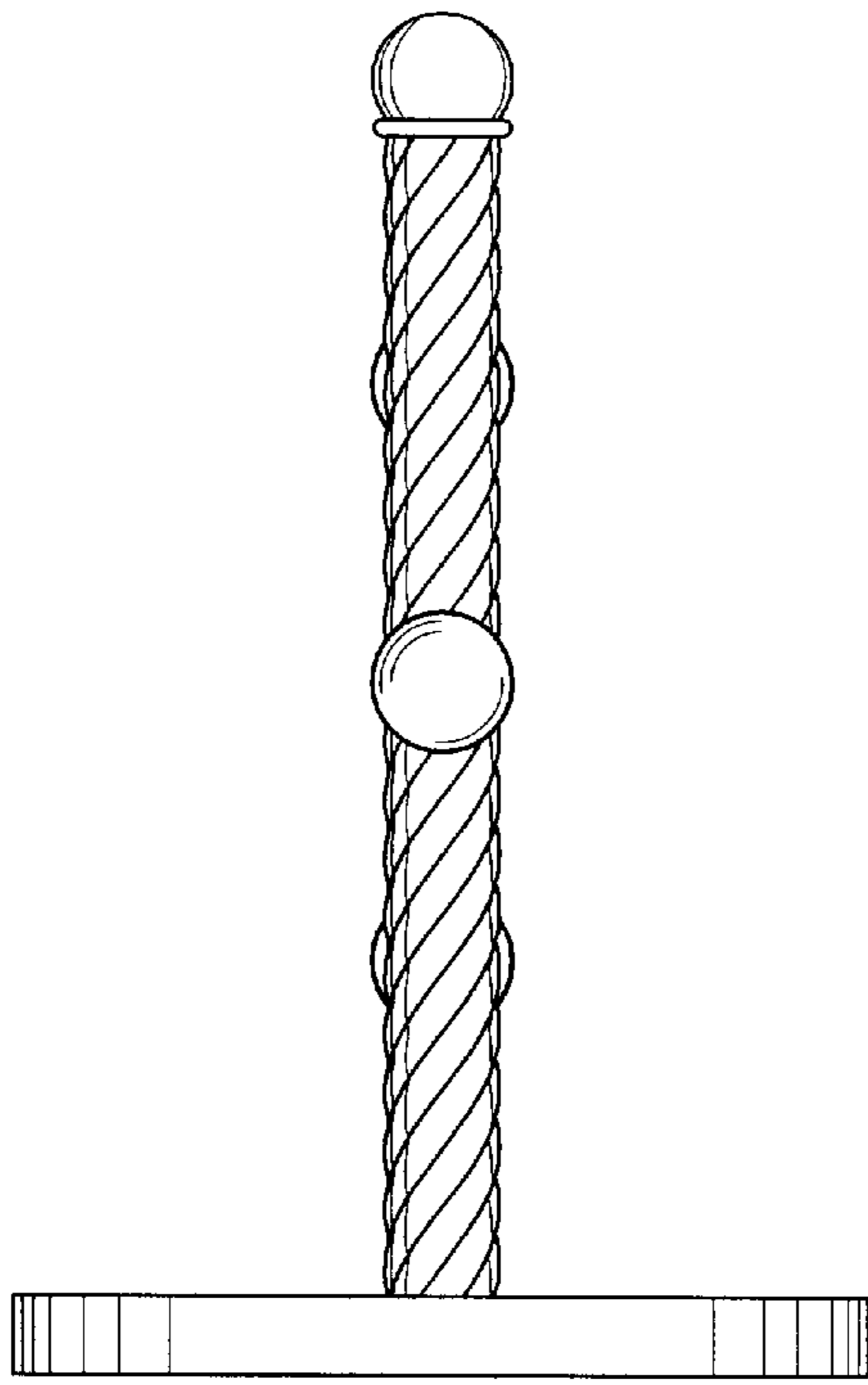


FIG. 4

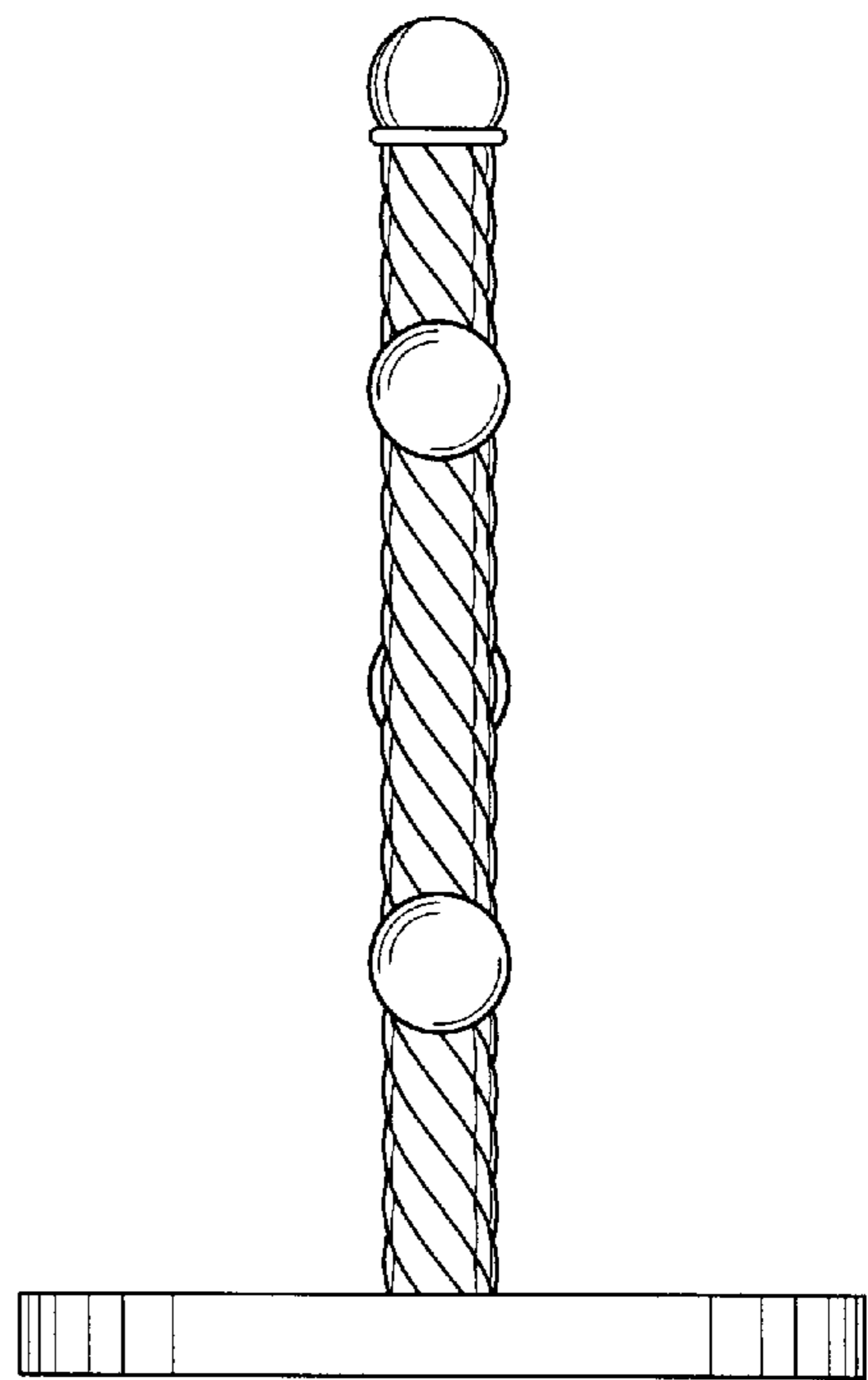


FIG. 5

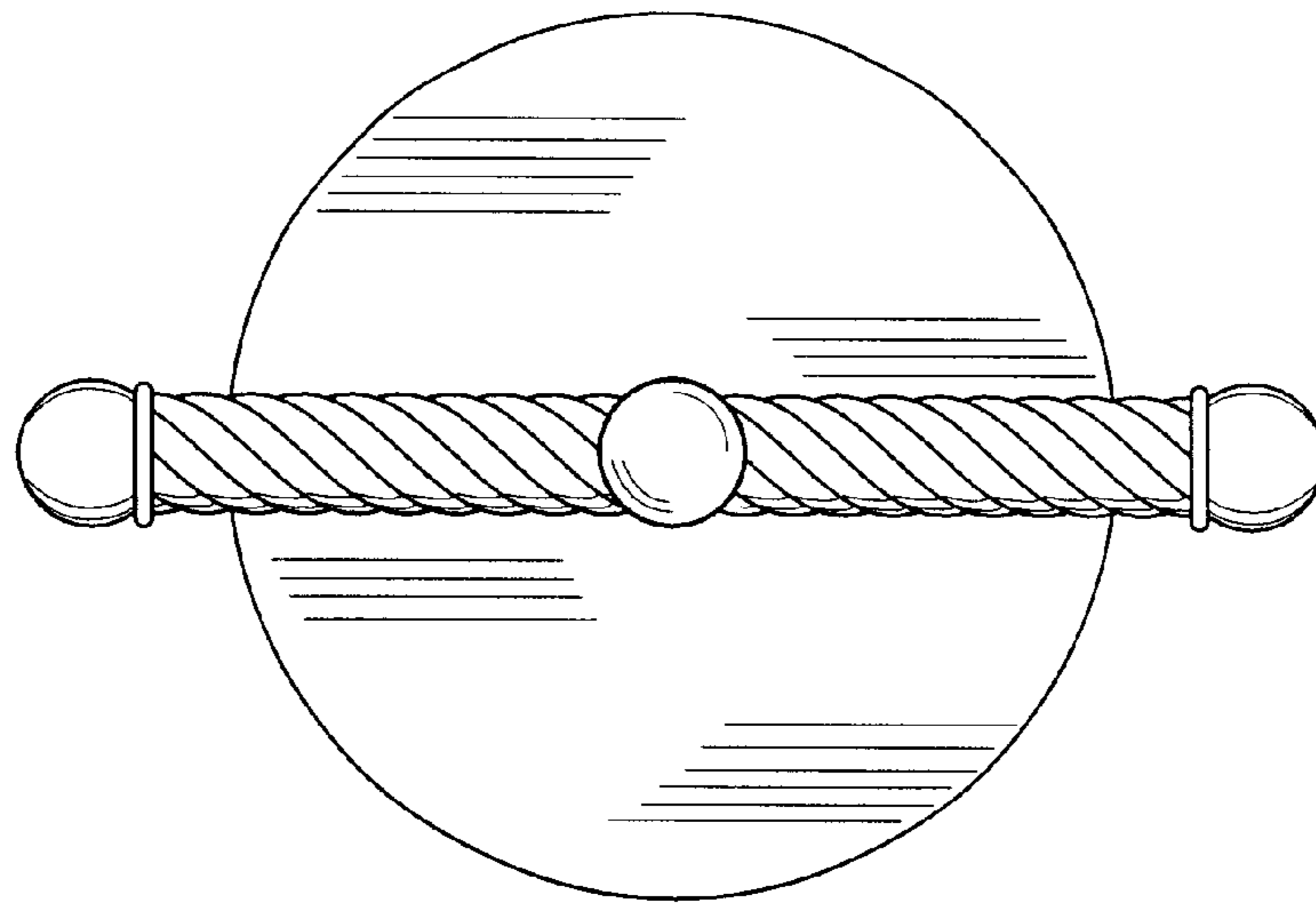


FIG. 6

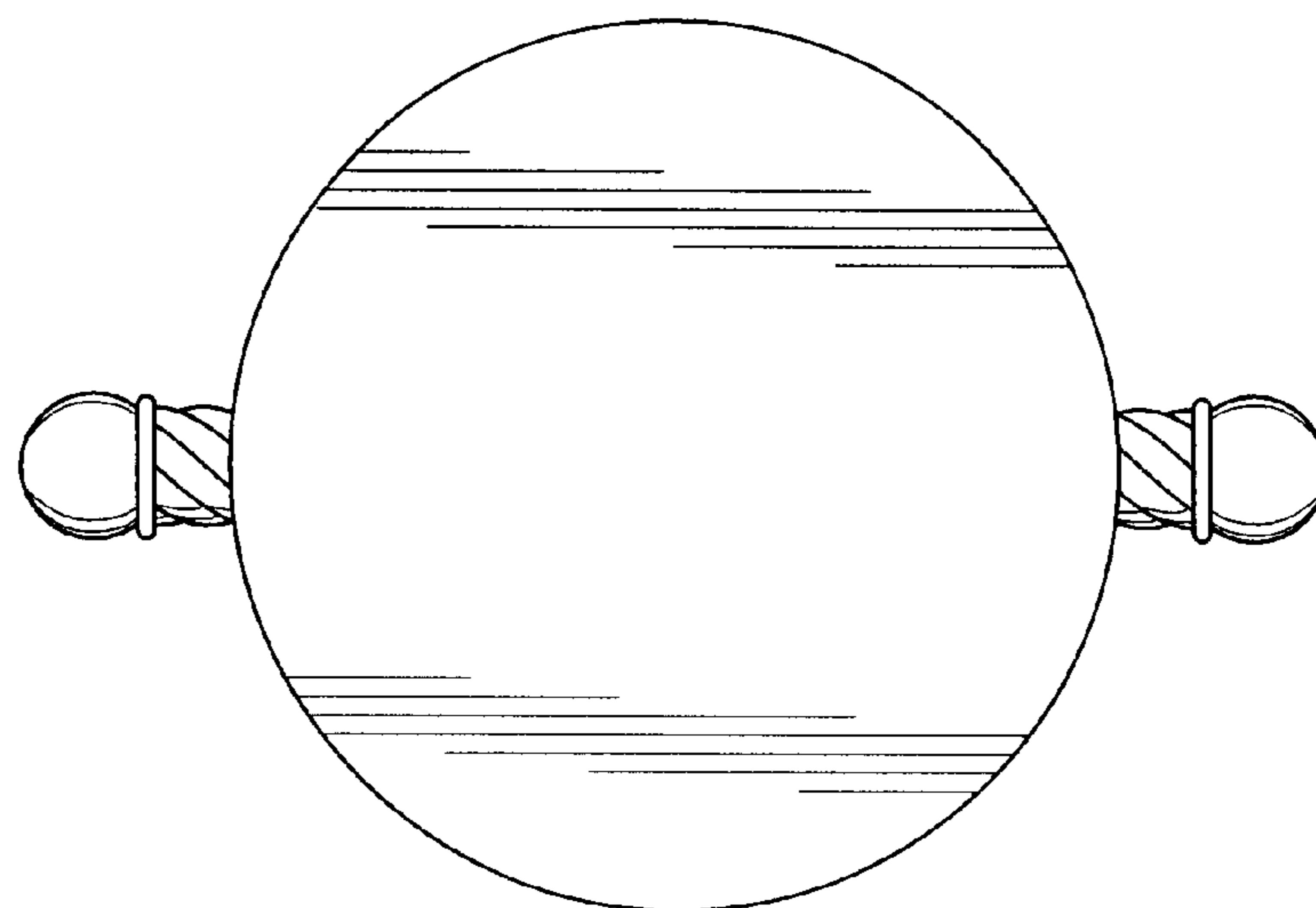


FIG. 7