



US00D461662S

(12) **United States Design Patent**
Taylor

(10) **Patent No.:** **US D461,662 S**

(45) **Date of Patent:** **** Aug. 20, 2002**

(54) **TABLE TOP**

D387,219 S * 12/1997 Esslinger D6/427
D433,259 S * 11/2000 Rashid D6/511

(75) Inventor: **Ted D. Taylor**, Gilbert, AZ (US)

* cited by examiner

(73) Assignee: **Farnam Companies Inc.**, Phoenix, AZ (US)

Primary Examiner—Janice E. Seeger
(74) *Attorney, Agent, or Firm*—Snell & Wilmer

(**) Term: **14 Years**

(57) **CLAIM**

(21) Appl. No.: **29/127,084**

The ornamental design for the table top, as shown and described.

(22) Filed: **Jul. 29, 2000**

(51) **LOC (7) Cl.** **06-06**

(52) **U.S. Cl.** **D6/511**

(58) **Field of Search** D6/480-489, 495-499, D6/511, 436, 427, 423; 108/153.1, 156, 157.17, 161, 157.1; 248/188, 188.1, 188.8

DESCRIPTION

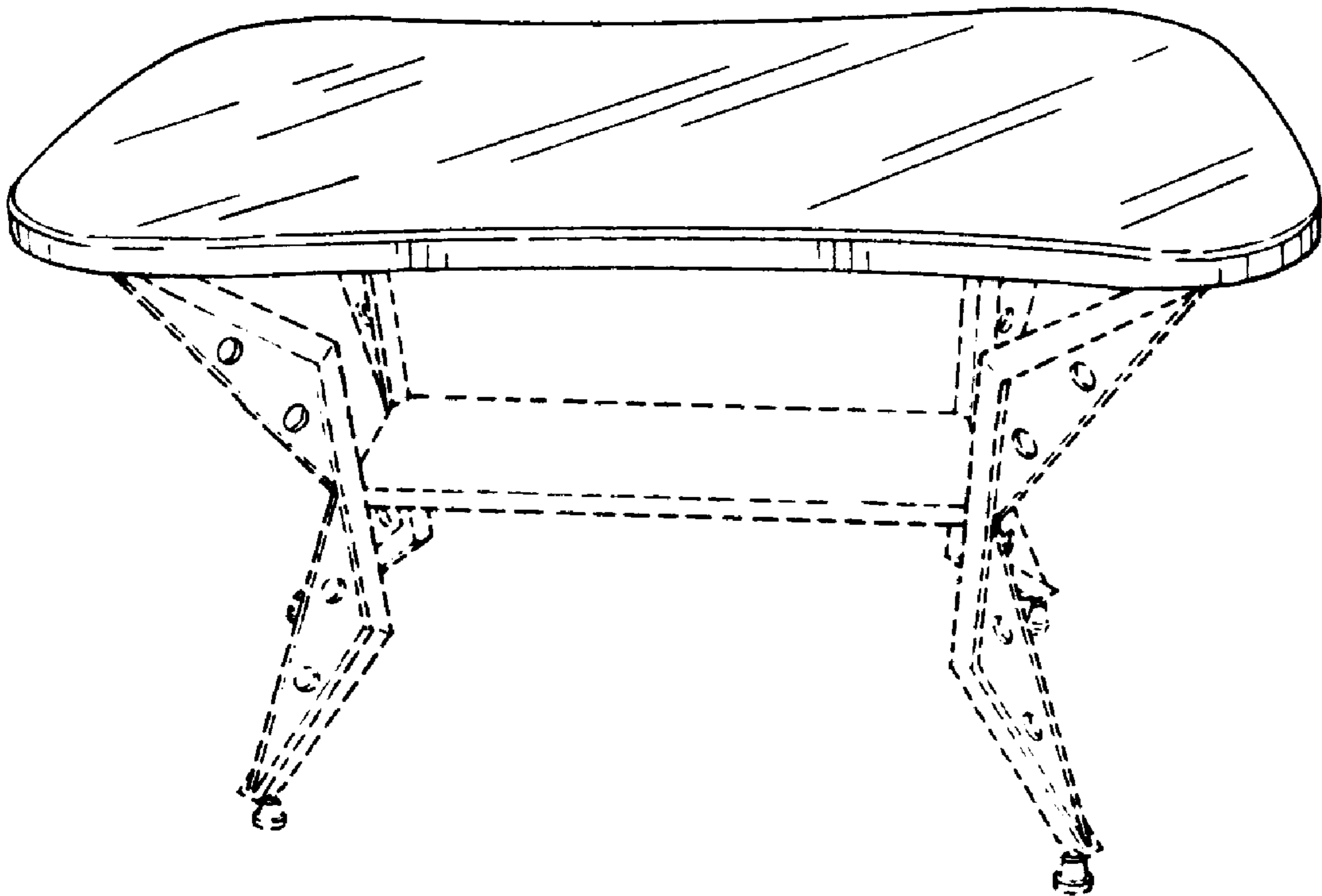
FIG. 1 is a perspective view of a table top, showing my new design; the broken lines are for environmental purposes only and form no part of the claimed design;
FIG. 2 is a top plan view;
FIG. 3 is a front elevational view; and,
FIG. 4 is an end elevational view thereof.

(56) **References Cited**

U.S. PATENT DOCUMENTS

D132,243 S * 4/1942 Pressman D6/483

1 Claim, 1 Drawing Sheet



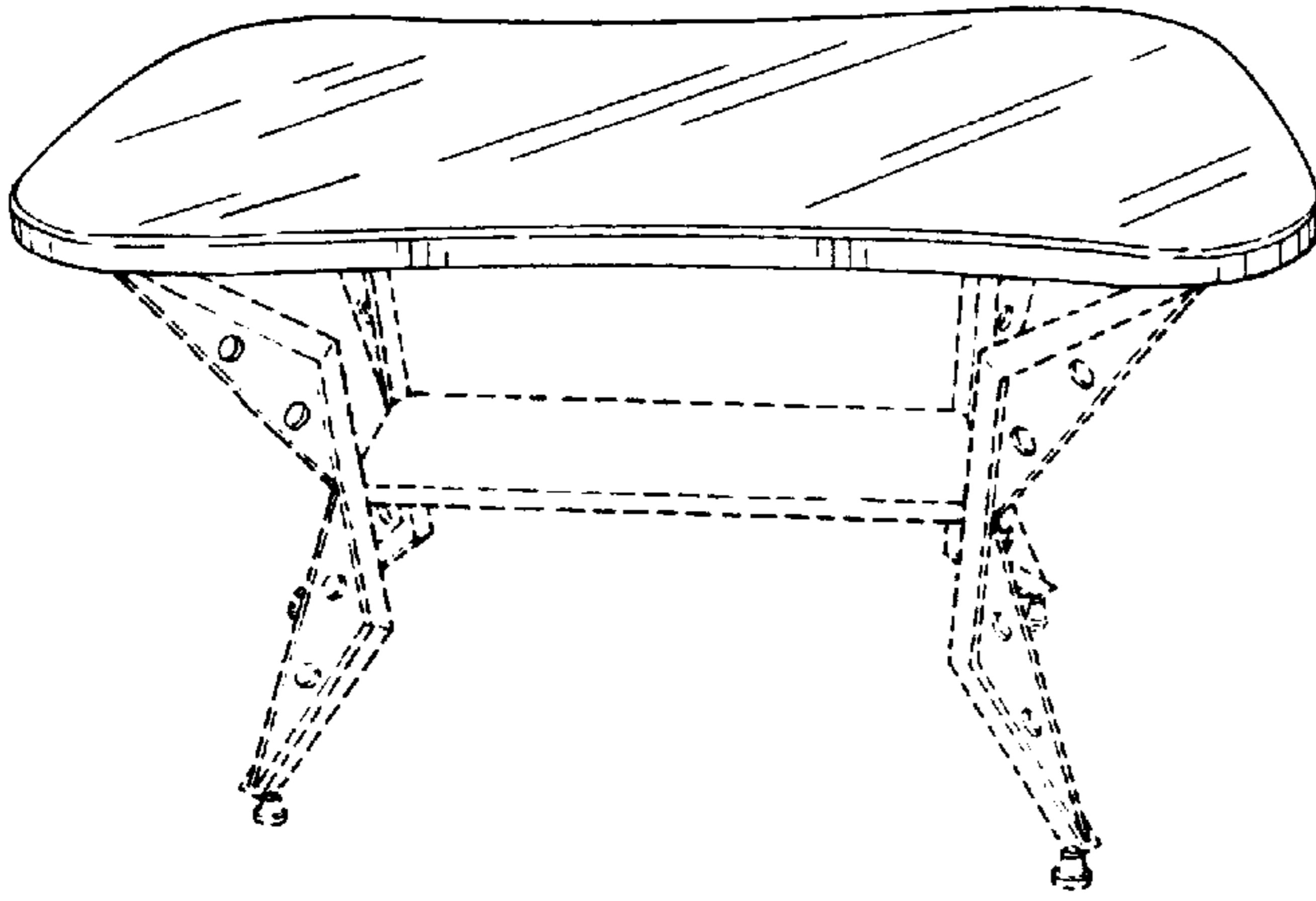


FIG. 1.

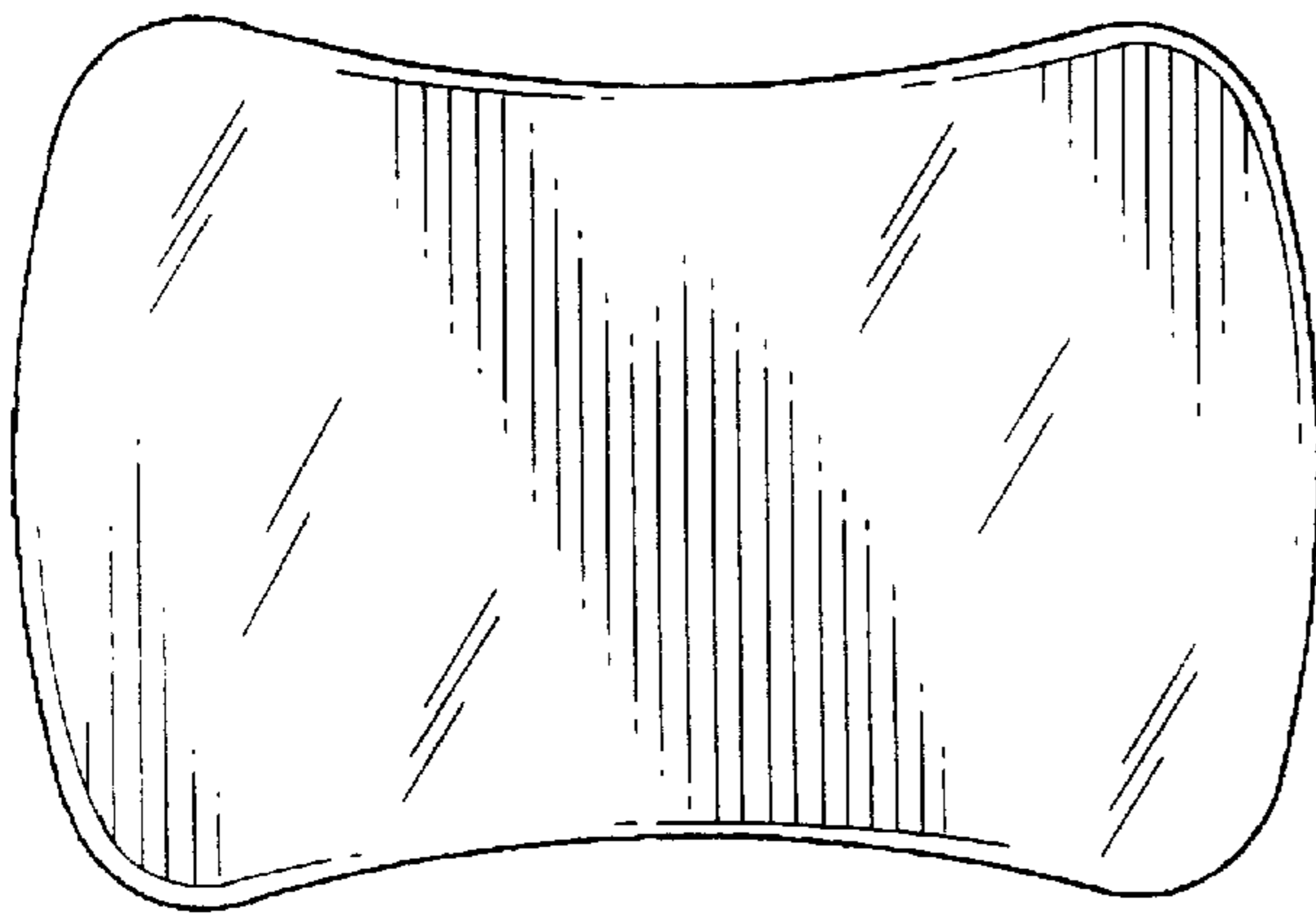


FIG. 2.

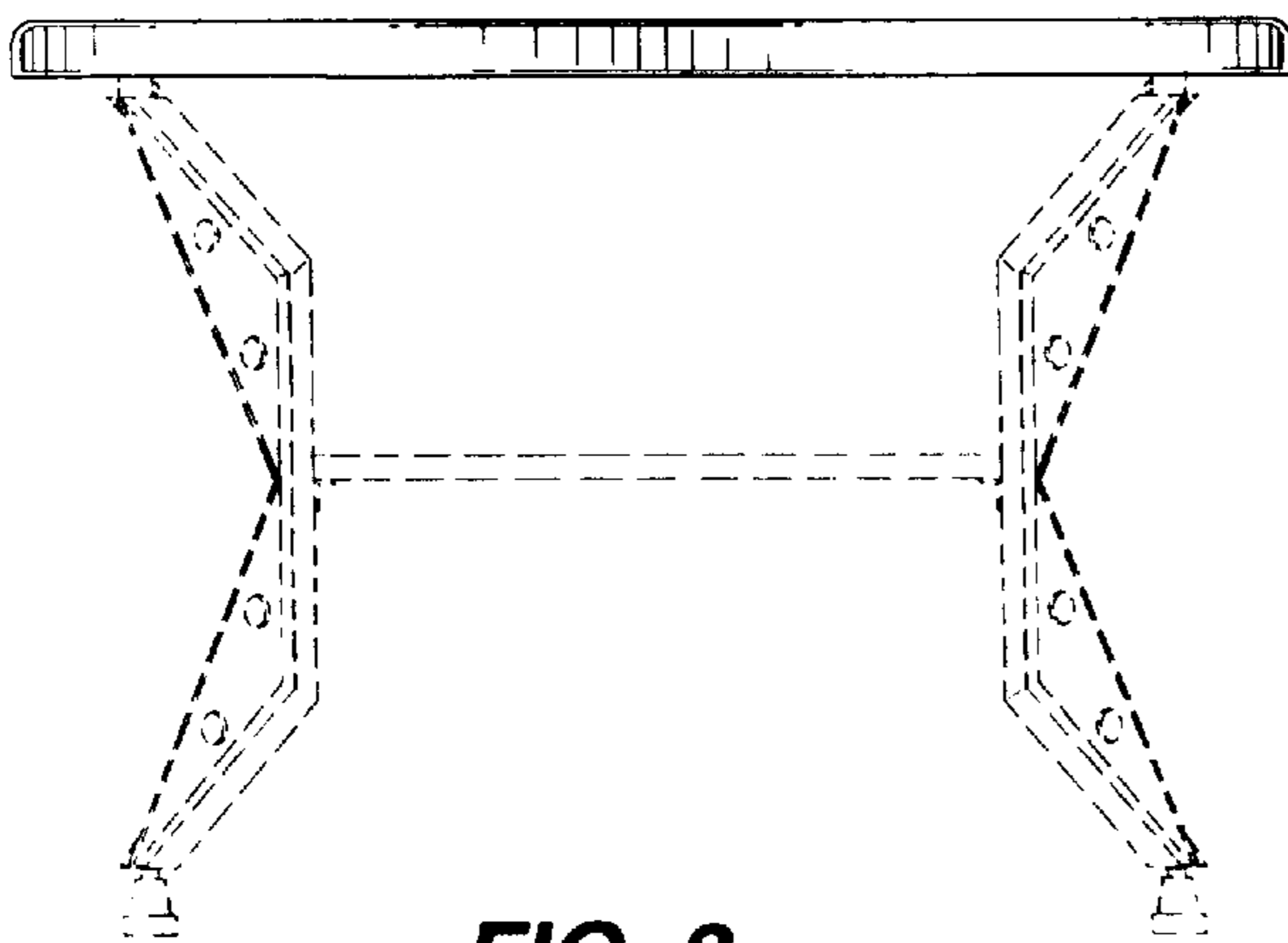


FIG. 3.

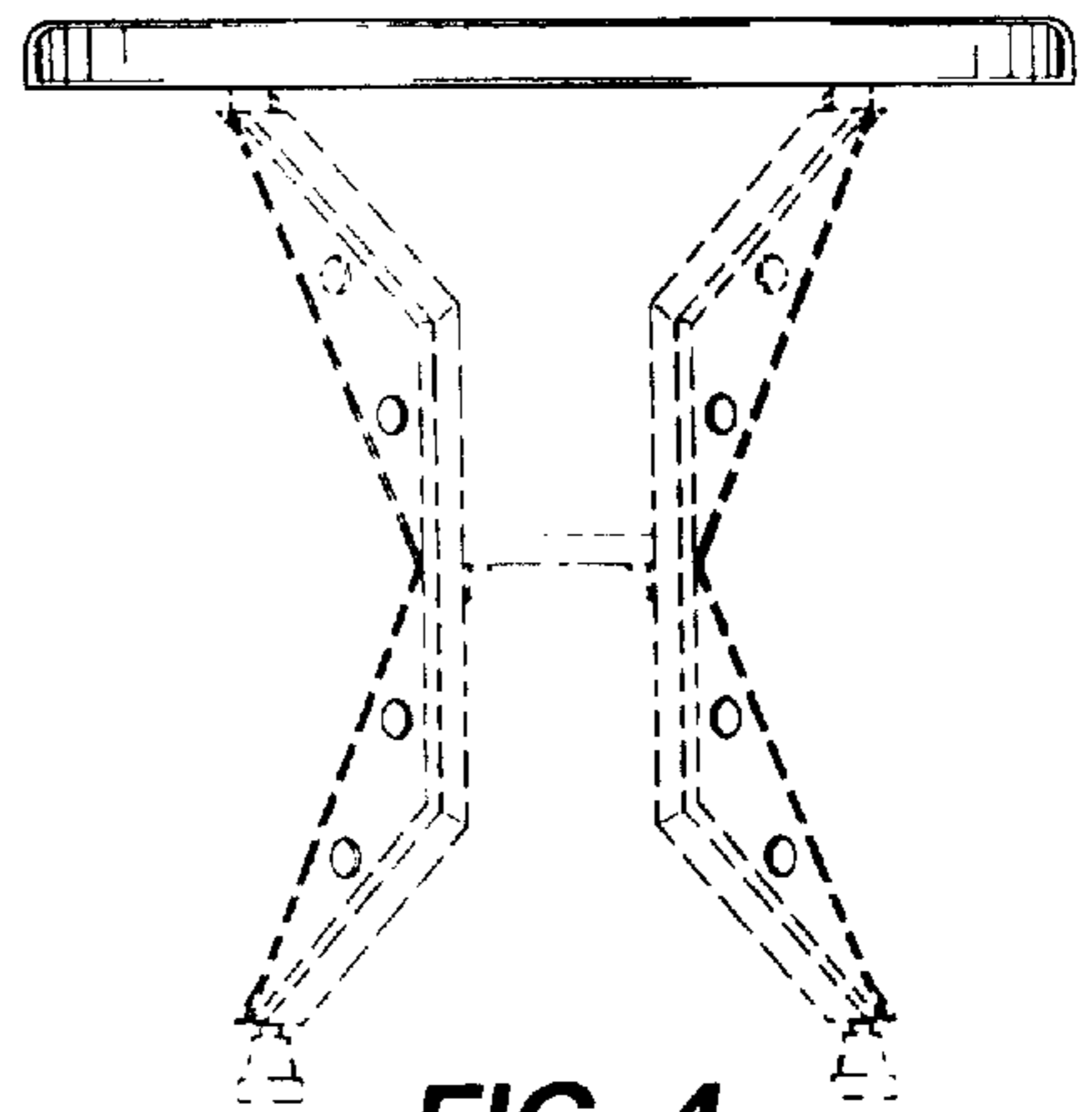


FIG. 4.