



US00D461660S

(12) **United States Design Patent**
Koepke et al.

(10) **Patent No.:** **US D461,660 S**

(45) **Date of Patent:** **** Aug. 20, 2002**

(54) **CHAIR SEAT FRAMEWORK**

(75) Inventors: **Marcus C. Koepke**, Indianapolis, IN
(US); **Jay R. Machael**, Muscatine, IA
(US)

(73) Assignee: **HON Technology Inc.**, Muscatine, IA
(US)

(**) Term: **14 Years**

(21) Appl. No.: **29/143,574**

(22) Filed: **Jun. 15, 2001**

(51) **LOC (7) Cl.** **06-06**

(52) **U.S. Cl.** **D6/500**

(58) **Field of Search** D6/334, 335, 364,
D6/365, 366, 367, 500, 501, 502; 297/411.2,
411.27, 411.28, 452.18, 452.2

(56) **References Cited**

U.S. PATENT DOCUMENTS

D137,204 S * 2/1944 Nordby D6/500
D216,192 S * 12/1969 Swenson D6/500

D274,675 S * 7/1984 Diffrient D6/366
D285,629 S * 9/1986 Franck et al. D6/366
D346,279 S * 4/1994 Stumpf et al. D6/366
D368,172 S * 3/1996 Locher D6/366
D437,497 S * 2/2001 Bräuning D6/366

* cited by examiner

Primary Examiner—Gary D. Watson

(74) *Attorney, Agent, or Firm*—Jones, Day, Reavis &
Pogue

(57) **CLAIM**

The ornamental design for a chair seat framework, as shown
and described.

DESCRIPTION

FIG. 1 is a front view of a chair seat framework showing our
new design;
FIG. 2 is a left side view, the opposite side view being a
mirror image thereof;
FIG. 3 is a rear view thereof;
FIG. 4 is a bottom view thereof; and,
FIG. 5 is a top view thereof.

1 Claim, 3 Drawing Sheets

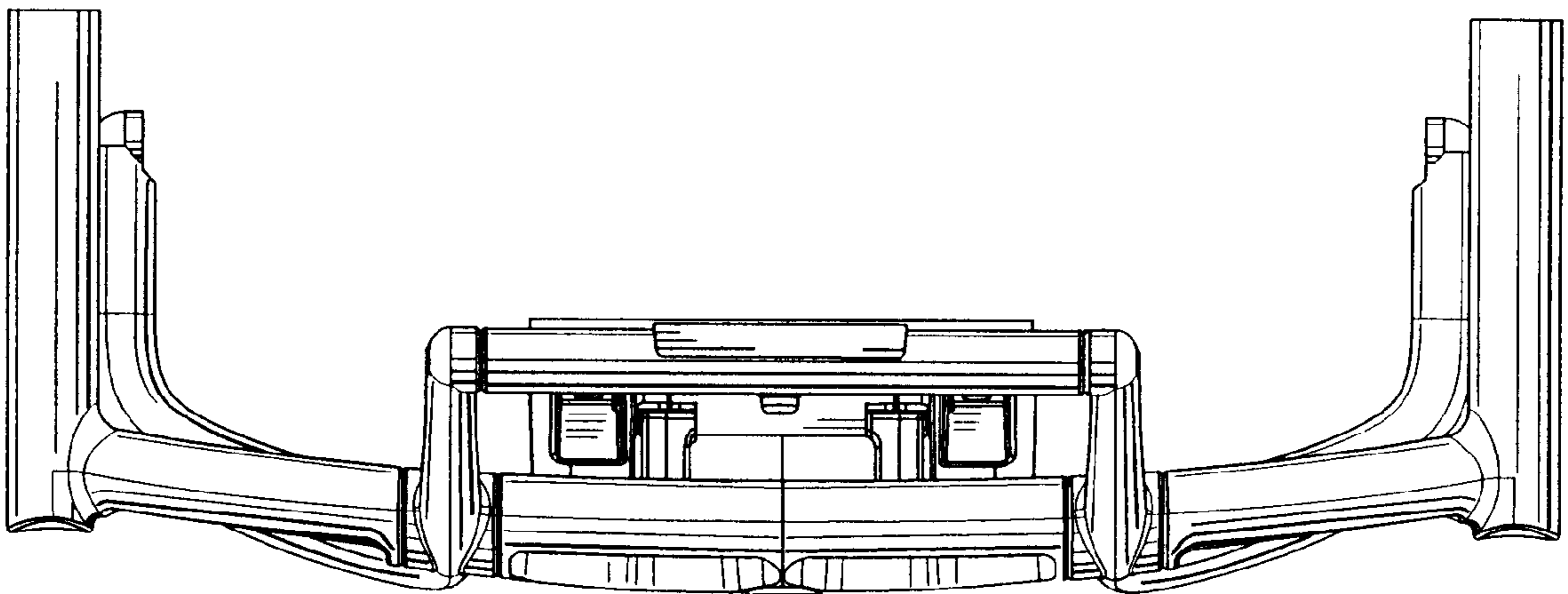


FIG. 1

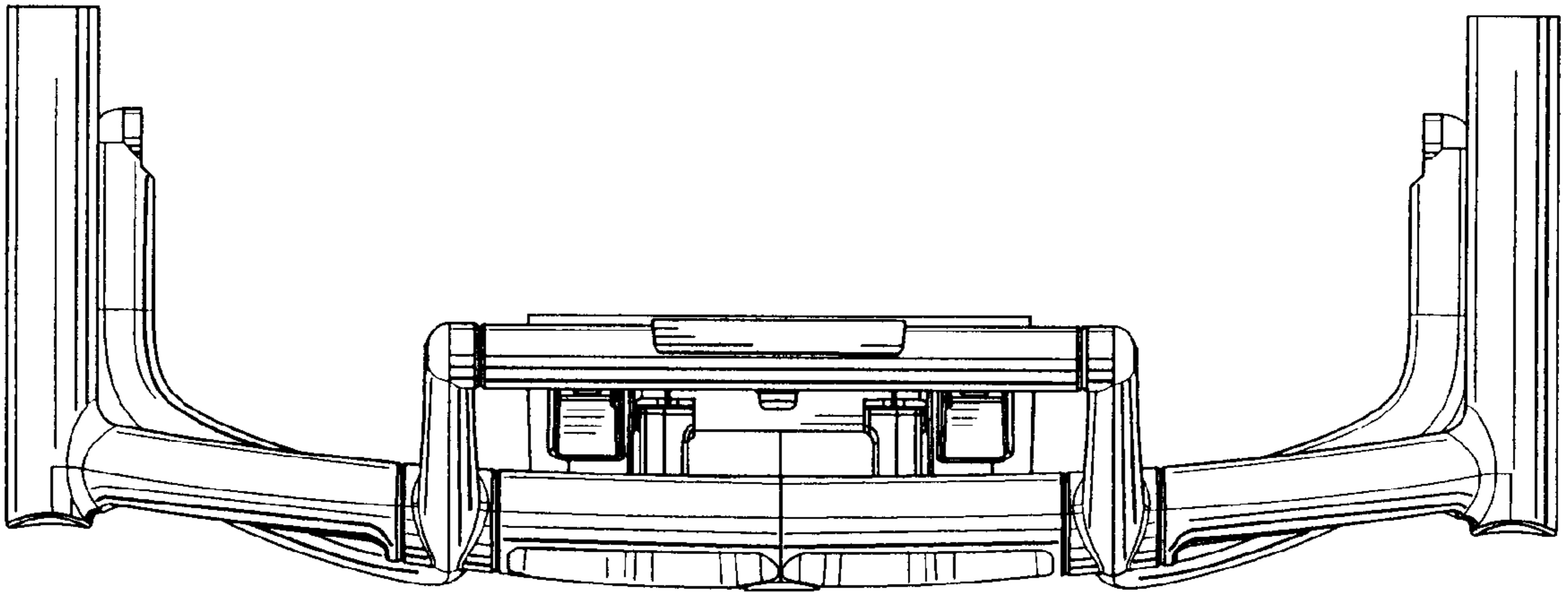


FIG. 2

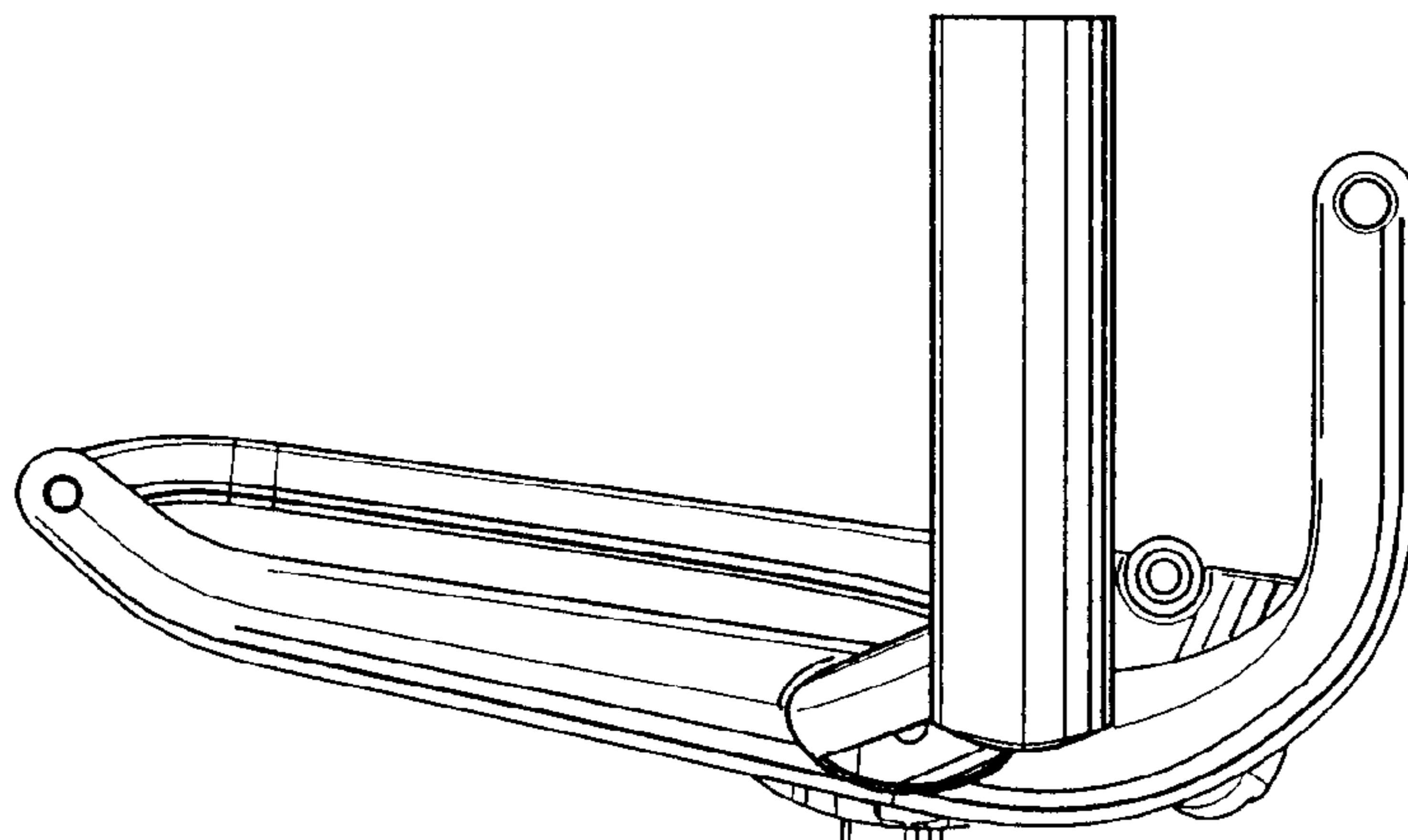


FIG. 3

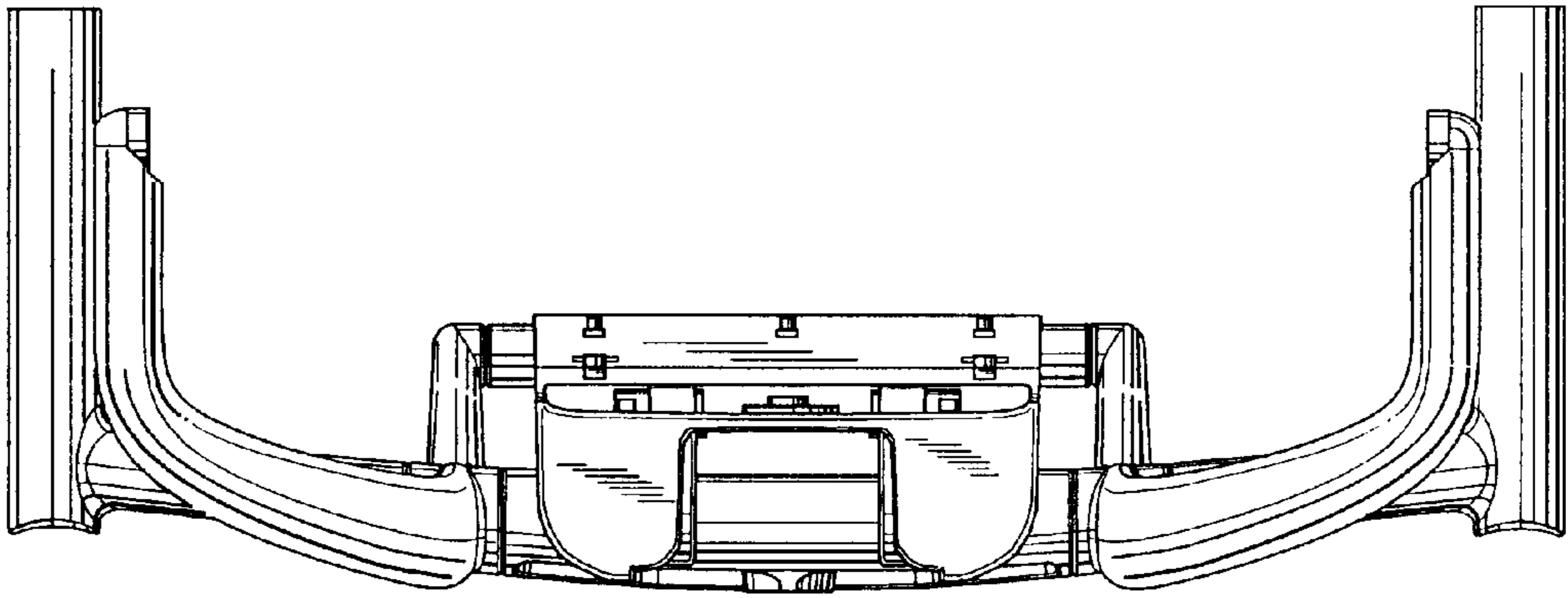


Fig. 4

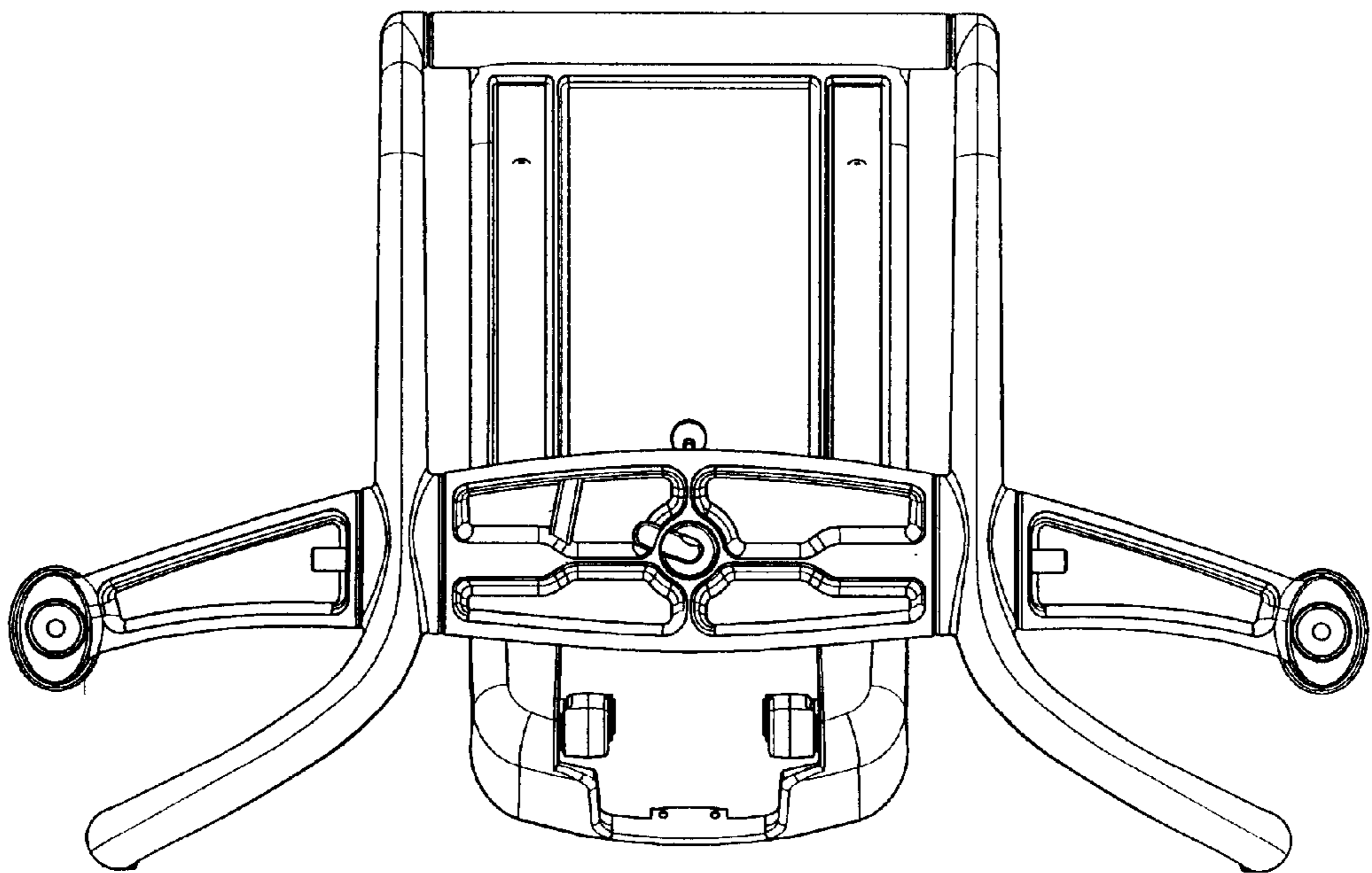


FIG. 5

