



US00D461659S

(12) **United States Design Patent**  
**Koepke et al.**

(10) **Patent No.:** **US D461,659 S**

(45) **Date of Patent:** **\*\* Aug. 20, 2002**

(54) **CHAIR BACK FRAMEWORK**

D436,456 S \* 1/2001 Neil ..... D6/366  
D449,174 S \* 10/2001 Neil ..... D6/366

(75) Inventors: **Marcus C. Koepke**, Indianapolis, IN  
(US); **Jay R. Machael**, Muscatine, IA  
(US); **Craig H. Schultz**, Muscatine, IA  
(US); **Douglas A. Schroeder**,  
Muscatine, IA (US)

\* cited by examiner

*Primary Examiner*—Gary D. Watson  
(74) *Attorney, Agent, or Firm*—Jones, Day, Reavis &  
Pogue

(73) Assignee: **HON Technology Inc.**, Muscatine, IA  
(US)

(57) **CLAIM**

(\*\*) Term: **14 Years**

The ornamental design for a chair back framework, as  
shown and described.

(21) Appl. No.: **29/143,573**

**DESCRIPTION**

(22) Filed: **Jun. 15, 2001**

(51) **LOC (7) Cl.** ..... **06-06**

(52) **U.S. Cl.** ..... **D6/500**

(58) **Field of Search** ..... D6/334, 335, 364,  
D6/365, 366, 367, 499, 500, 501, 502;  
297/353, 411.2, 452.18, 452.2

FIG. 1 is a front view of a chair back framework showing  
our new design;

FIG. 2 is a rear view thereof;

FIG. 3 is a side view, the opposite side view being a mirror  
image thereof;

FIG. 4 is a top view thereof; and,

FIG. 5 is a bottom view thereof.

(56) **References Cited**

**U.S. PATENT DOCUMENTS**

D429,926 S \* 8/2000 Cao ..... D6/500

**1 Claim, 3 Drawing Sheets**

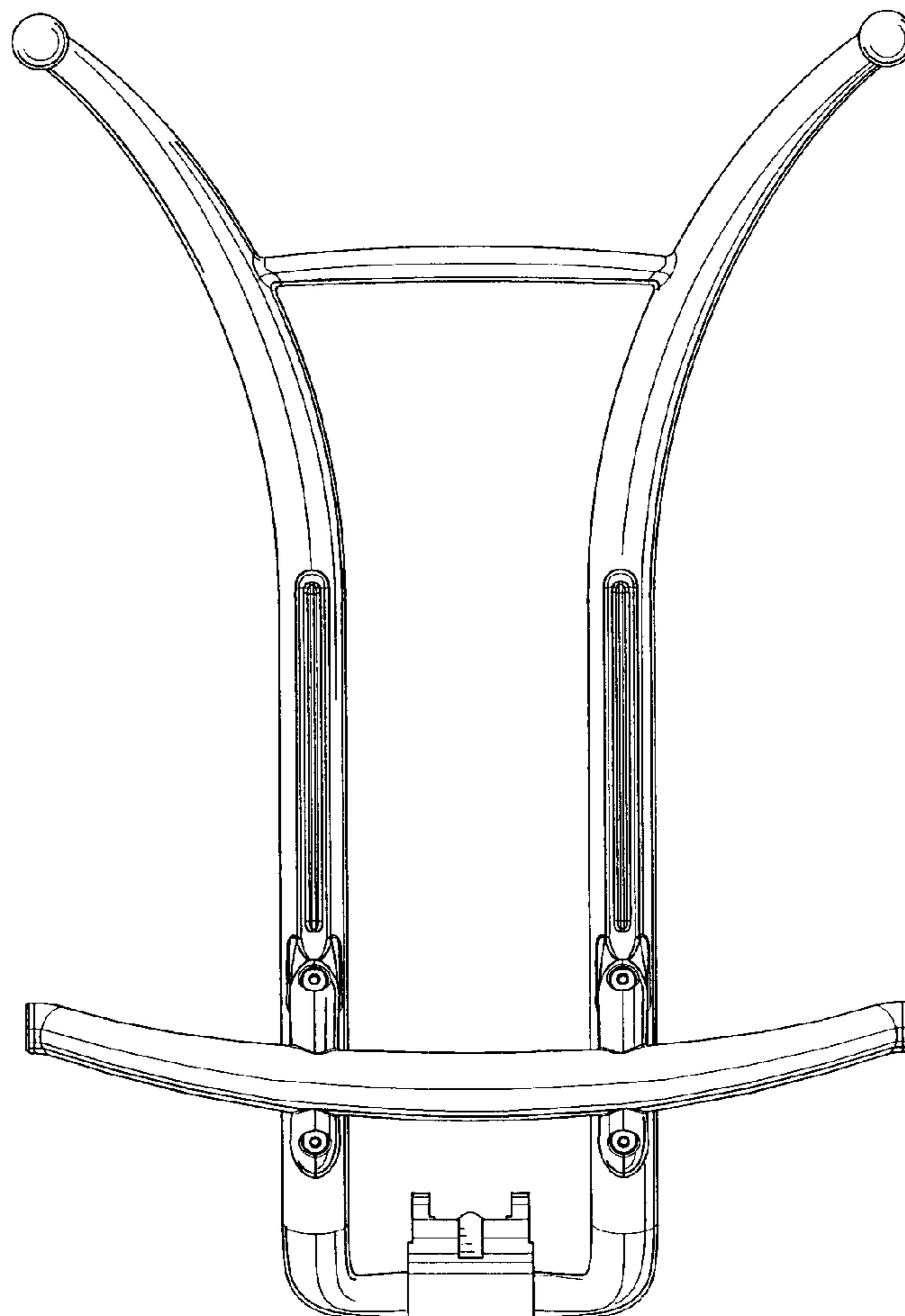


Fig. 1

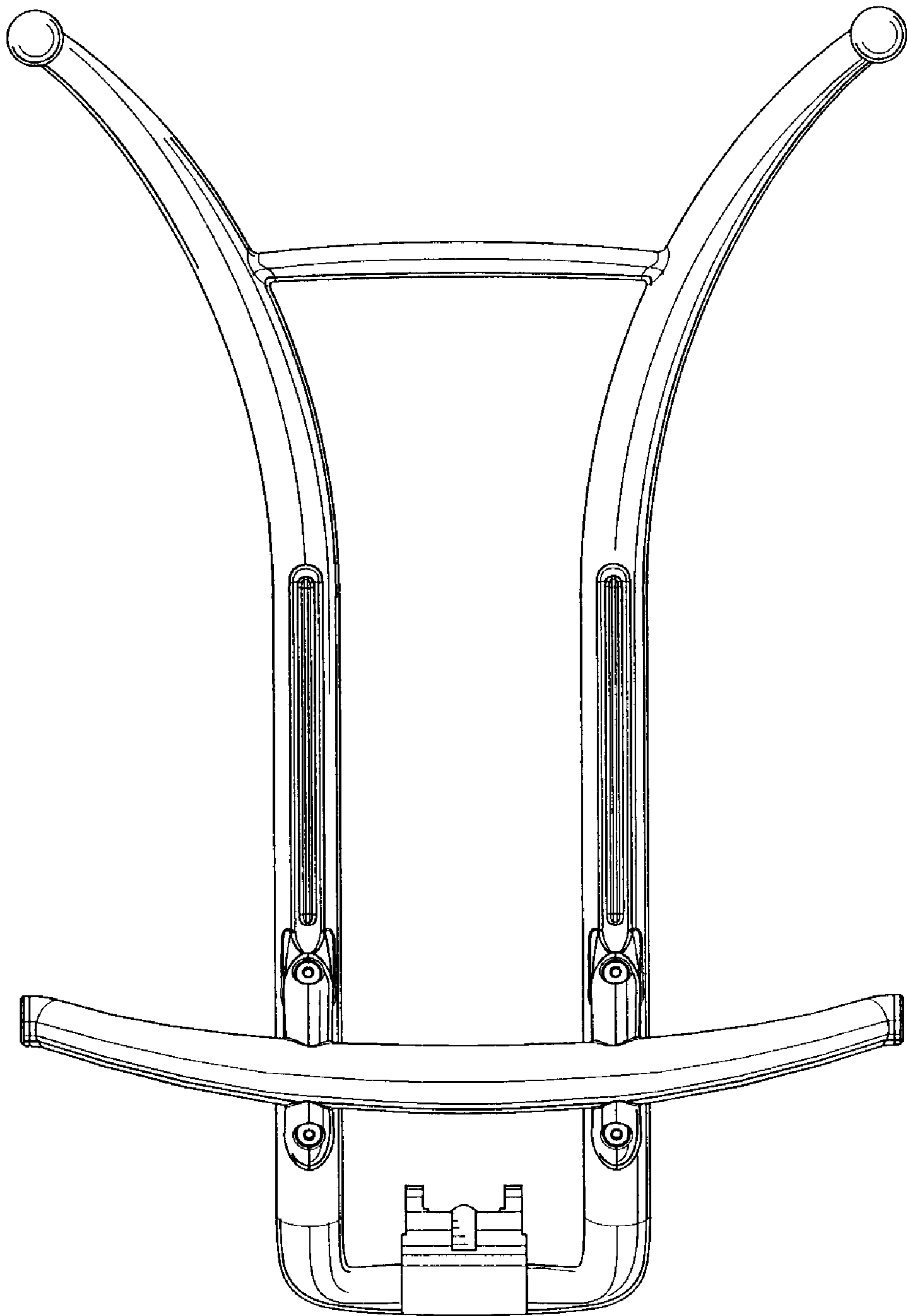


Fig. 2

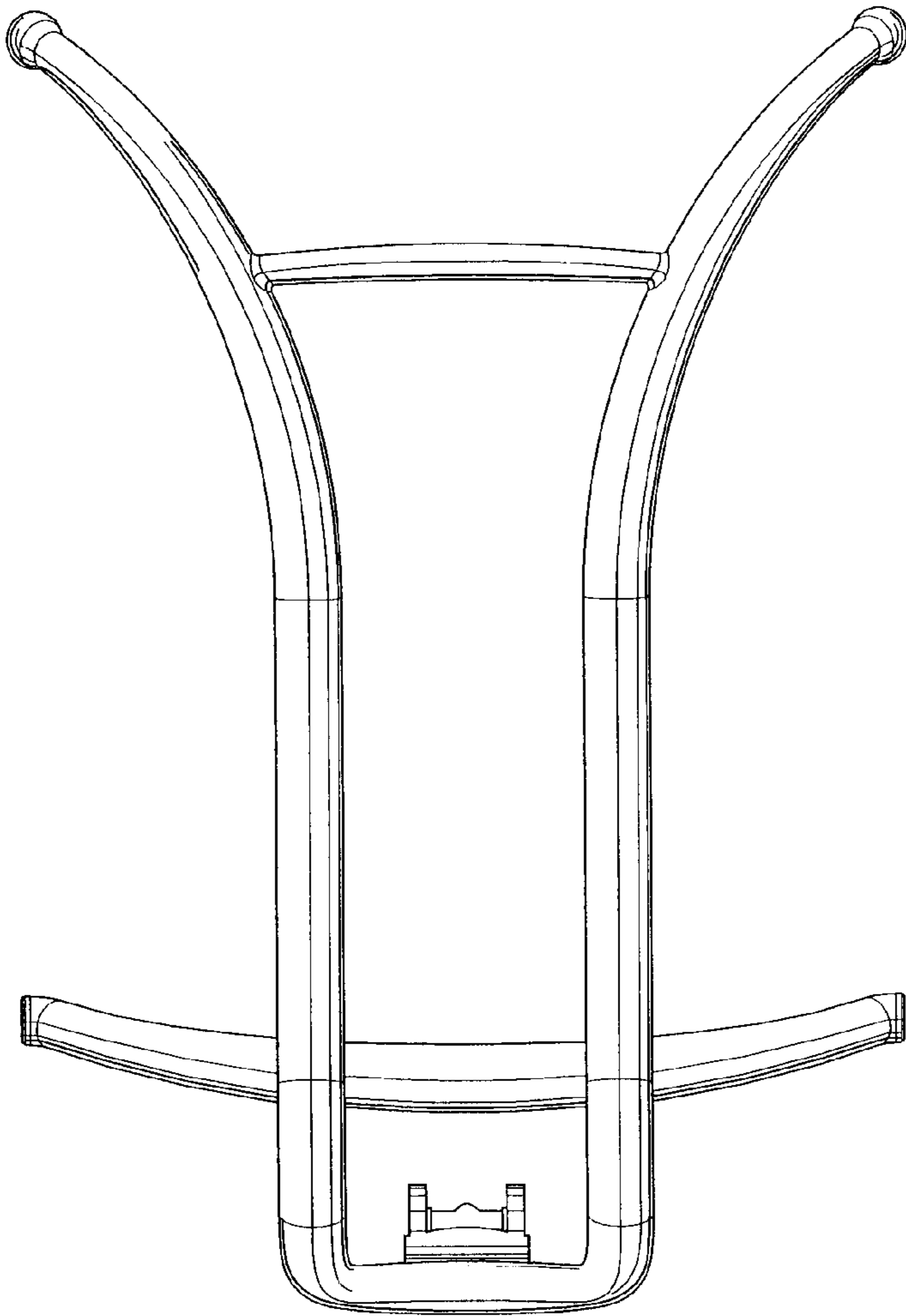
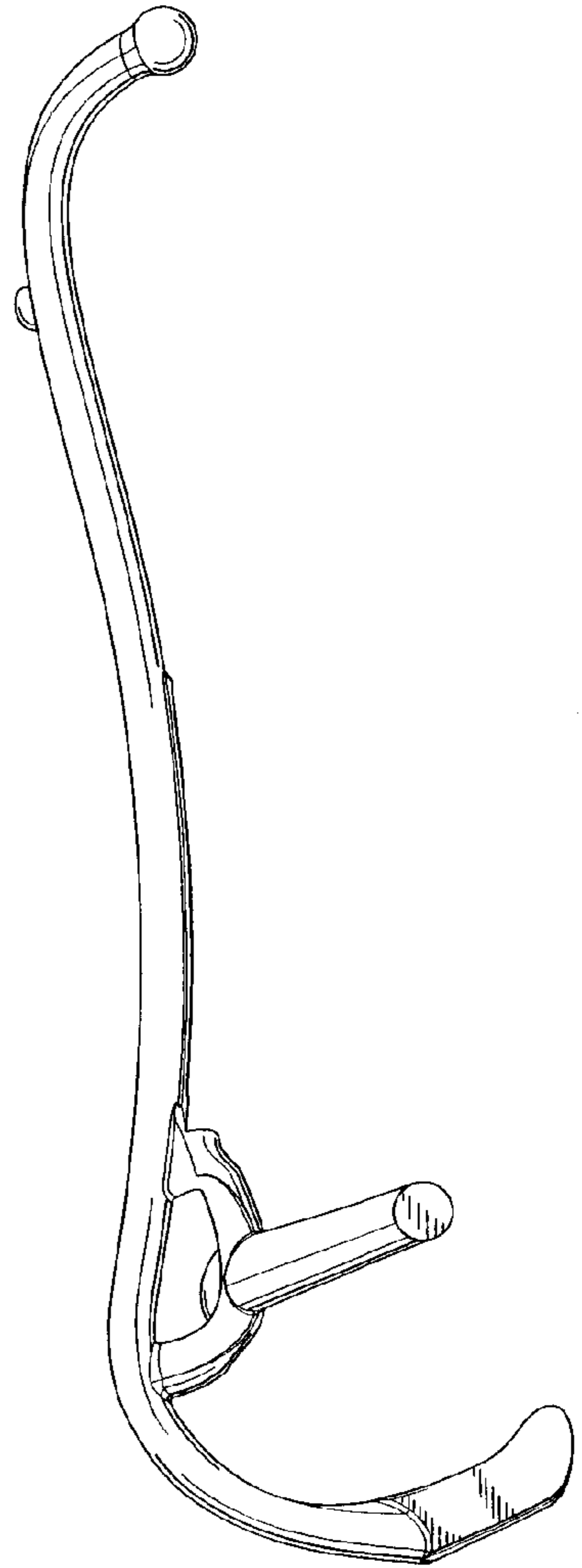
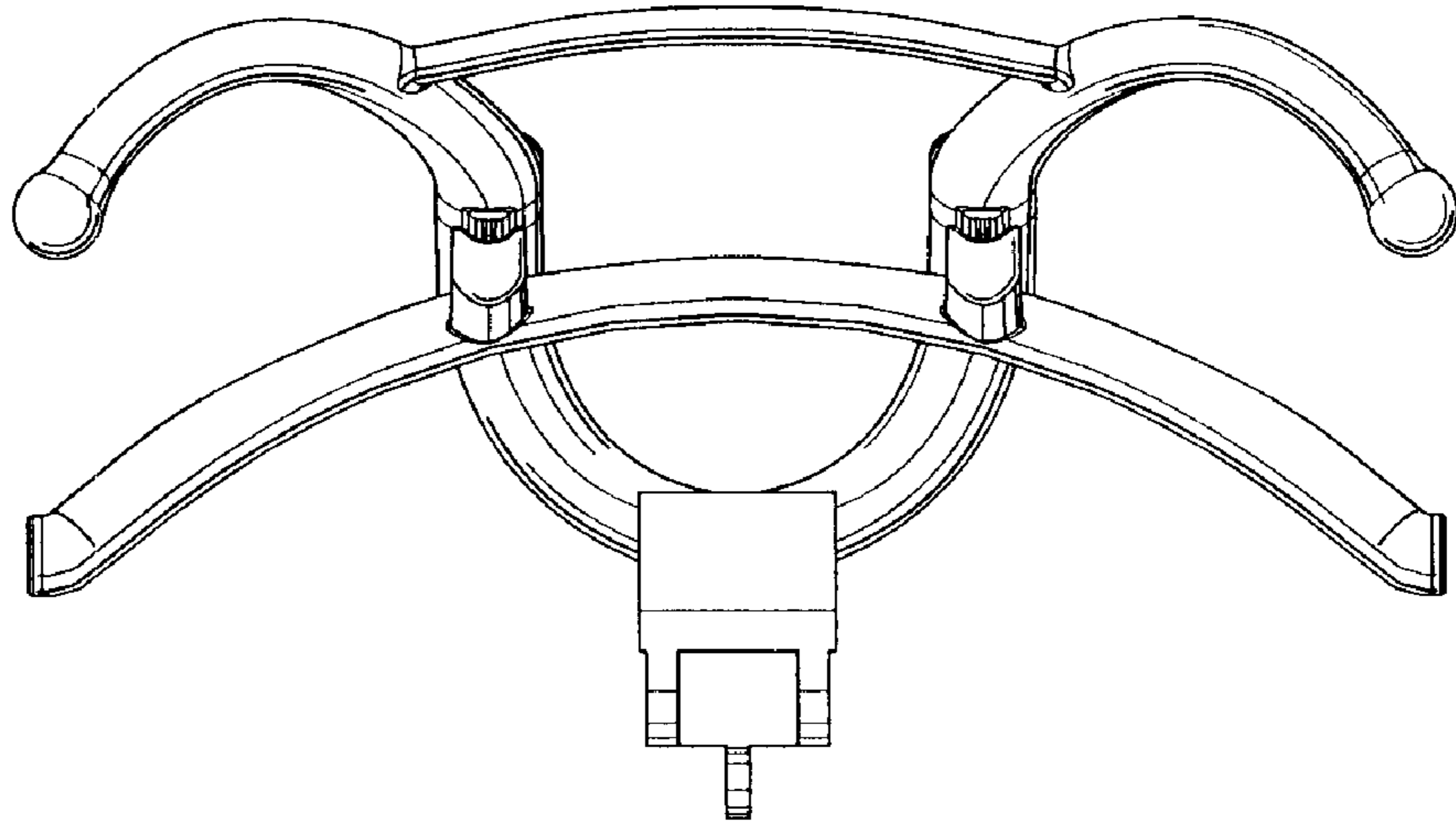


Fig. 3



**Fig. 4**



**Fig. 5**

