



US00D461657S

(12) **United States Design Patent**
Magnusson

(10) **Patent No.:** **US D461,657 S**

(45) **Date of Patent:** **** Aug. 20, 2002**

(54) **MOUNTING GIRDER FOR A STRING SHELF SYSTEM**

(75) **Inventor:** **Reine Magnusson, Vastervik (SE)**

(73) **Assignee:** **Elfa International AB, Vastervik (SE)**

(**) **Term:** **14 Years**

(21) **Appl. No.:** **29/138,703**

(22) **Filed:** **Mar. 20, 2001**

(30) **Foreign Application Priority Data**

Sep. 29, 2000 (SE) 00-1787

(51) **LOC (7) Cl.** **06-06**

(52) **U.S. Cl.** **D6/491**

(58) **Field of Search** D6/491, 492, 495, D6/511; D8/359, 380, 381; D25/119, 121, 124, 136; 211/94.01, 162, 182, 183; 248/200, 218.4, 235, 247; 312/334.23

(56) **References Cited**

U.S. PATENT DOCUMENTS

D276,195 S * 11/1984 Smith D6/324

4,540,094 A	*	9/1985	Norrie et al.	211/113
4,984,694 A	*	1/1991	Magnusson	211/186
5,407,084 A	*	4/1995	Remmers	211/183
D399,725 S	*	10/1998	Baker	D8/354
D435,787 S	*	1/2001	Bartz, Jr.	D8/381
D446,710 S	*	8/2001	Sterling et al.	D8/354

* cited by examiner

Primary Examiner—Cathron C. Brooks

(74) *Attorney, Agent, or Firm*—Larson & Taylor PLC

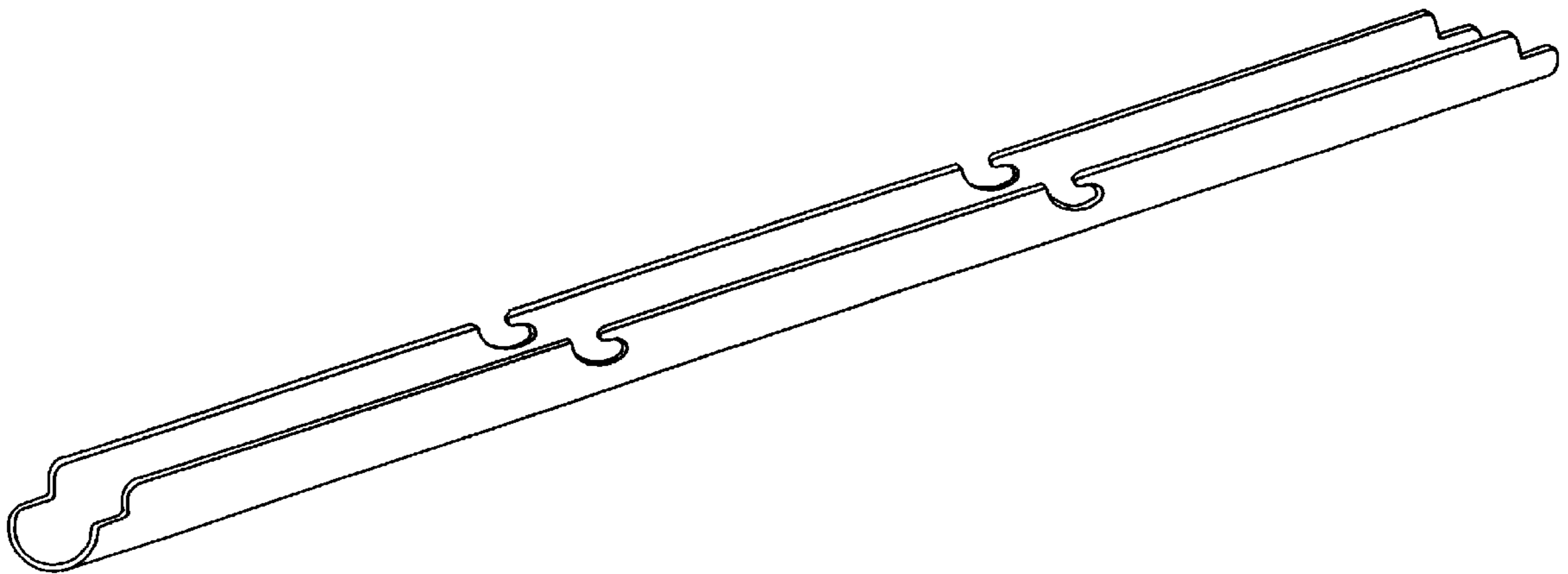
(57) **CLAIM**

The ornamental design for a mounting girder for a string shelf system, as shown and described.

DESCRIPTION

FIG. 1 is a top perspective view of a mounting girder for a string shelf system according to the present invention; and, FIG. 2 is a bottom perspective view of the mounting girder for a string shelf system depicted in FIG. 1.

1 Claim, 1 Drawing Sheet



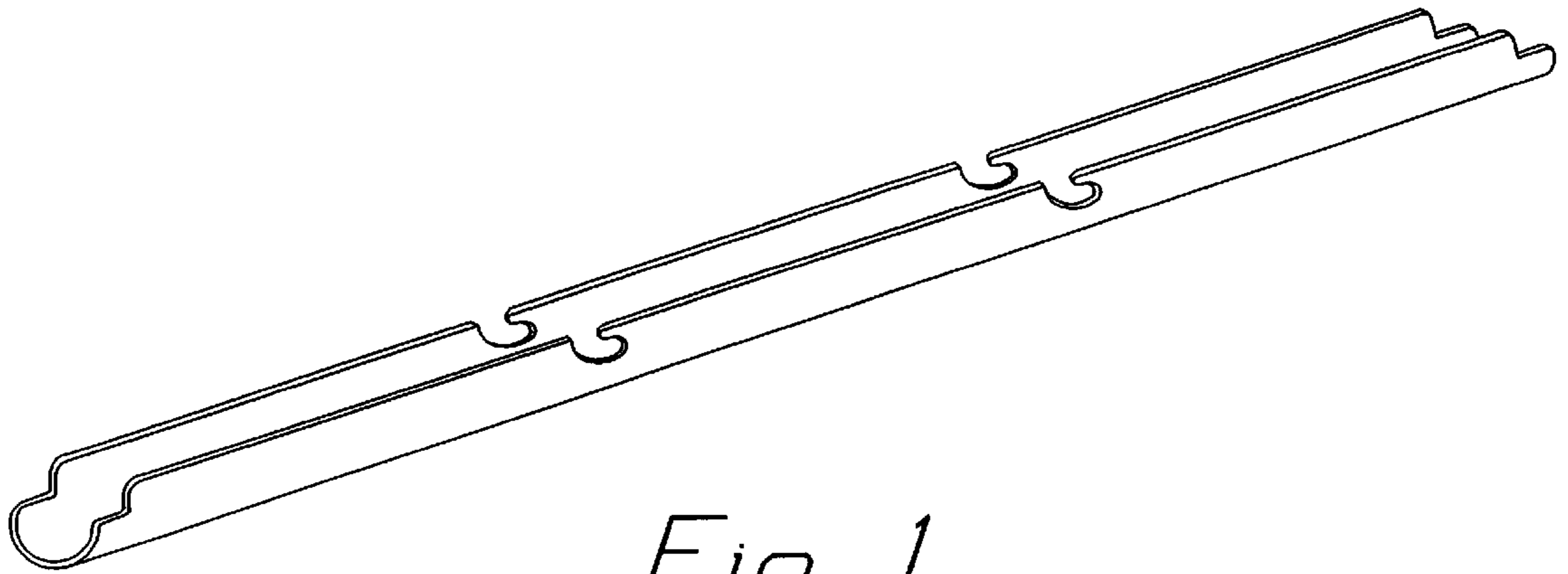


Fig. 1

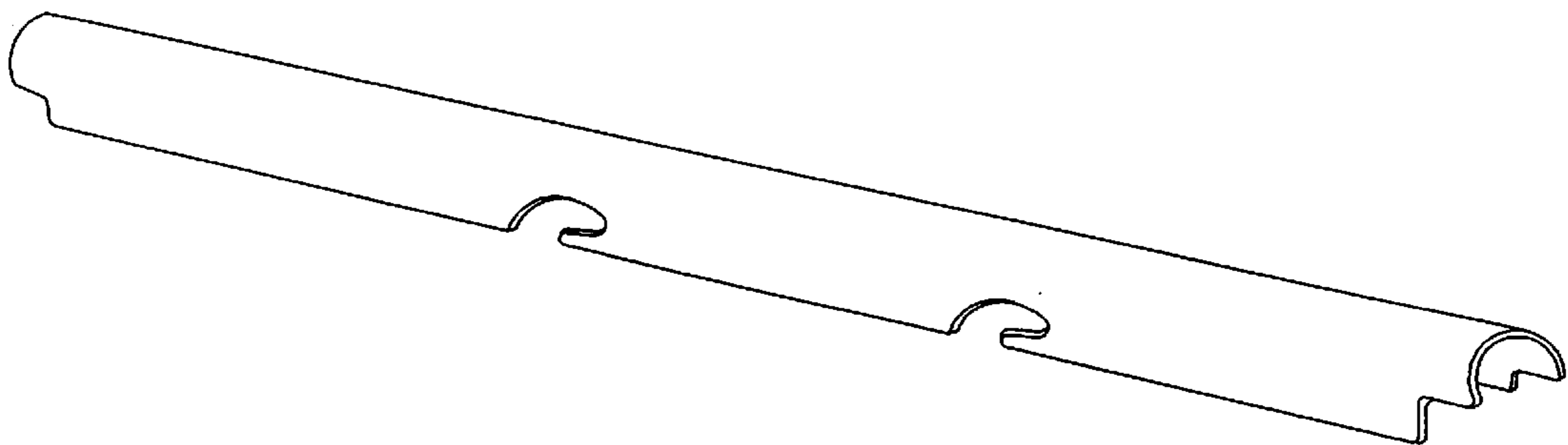


Fig. 2