



US00D461656S

(12) **United States Design Patent**
Stanton

(10) **Patent No.:** **US D461,656 S**

(45) **Date of Patent:** **** Aug. 20, 2002**

(54) **TABLE**

(75) **Inventor:** **Shawn Christopher Stanton**, High Point, NC (US)

(73) **Assignee:** **Thomasville Furniture Industries, Inc.**, Thomasville, NC (US)

(**) **Term:** **14 Years**

(21) **Appl. No.:** **29/147,691**

(22) **Filed:** **Aug. 31, 2001**

(51) **LOC (7) Cl.** **06-03**

(52) **U.S. Cl.** **D6/488; D6/441**

(58) **Field of Search** D6/480-489, 495-499, D6/511, 432, 448, 441; 108/150, 151, 153, 156, 157.1, 161; 248/188, 188.1, 188.8

(56) **References Cited**

U.S. PATENT DOCUMENTS

D81,749 S * 8/1930 Kandel D6/480
D331,673 S * 12/1992 Faber D6/441

OTHER PUBLICATIONS

Adrienne Center Hall Table, Hemmingway Paris Collection brochure, Thomasville Furniture Industries, Inc., p. 16, 2000.

American of Martinsville. May 11, 1983, table.*

Thomasville Fisher Park., May 1996, p. 21, table at right.*

Pennsylvania House, Jun. 1994, p. 68, table at top right.*

* cited by examiner

Primary Examiner—Janice E. Seeger

(74) *Attorney, Agent, or Firm*—Womble Carlyle Sandridge & Rice, PLLC

(57) **CLAIM**

The ornamental design for a table, as shown and described.

DESCRIPTION

FIG. 1 is a left front perspective view of a table showing my new design;

FIG. 2 is a front elevational view thereof;

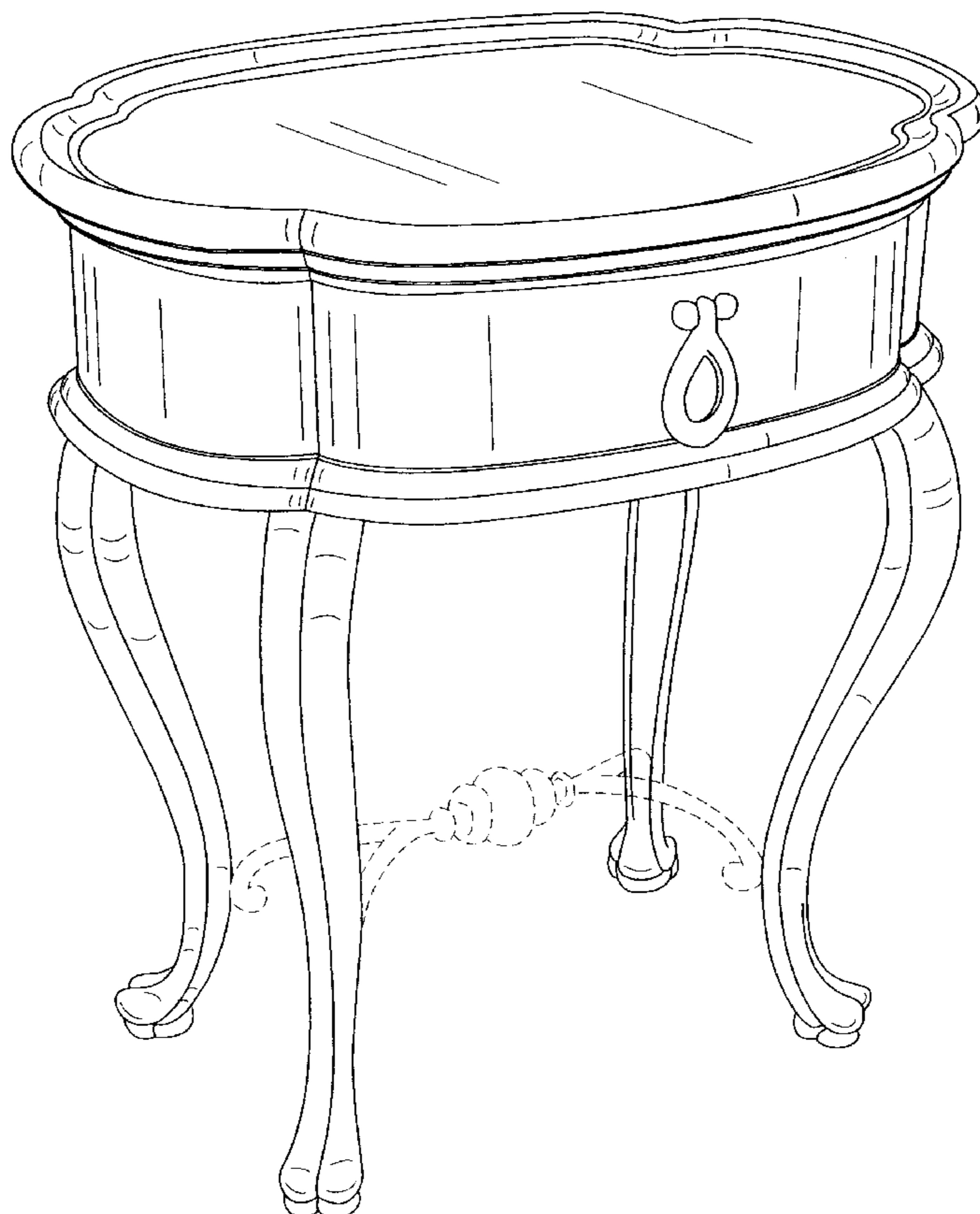
FIG. 3 is a side elevational view, the opposite side being a mirror image thereof;

FIG. 4 is a rear elevational view thereof; and,

FIG. 5 is a top view thereof.

The bottom view of the table is not shown and forms no part of the claimed design. The dashed lines represent environmental elements only and form no part of the claimed design.

1 Claim, 5 Drawing Sheets



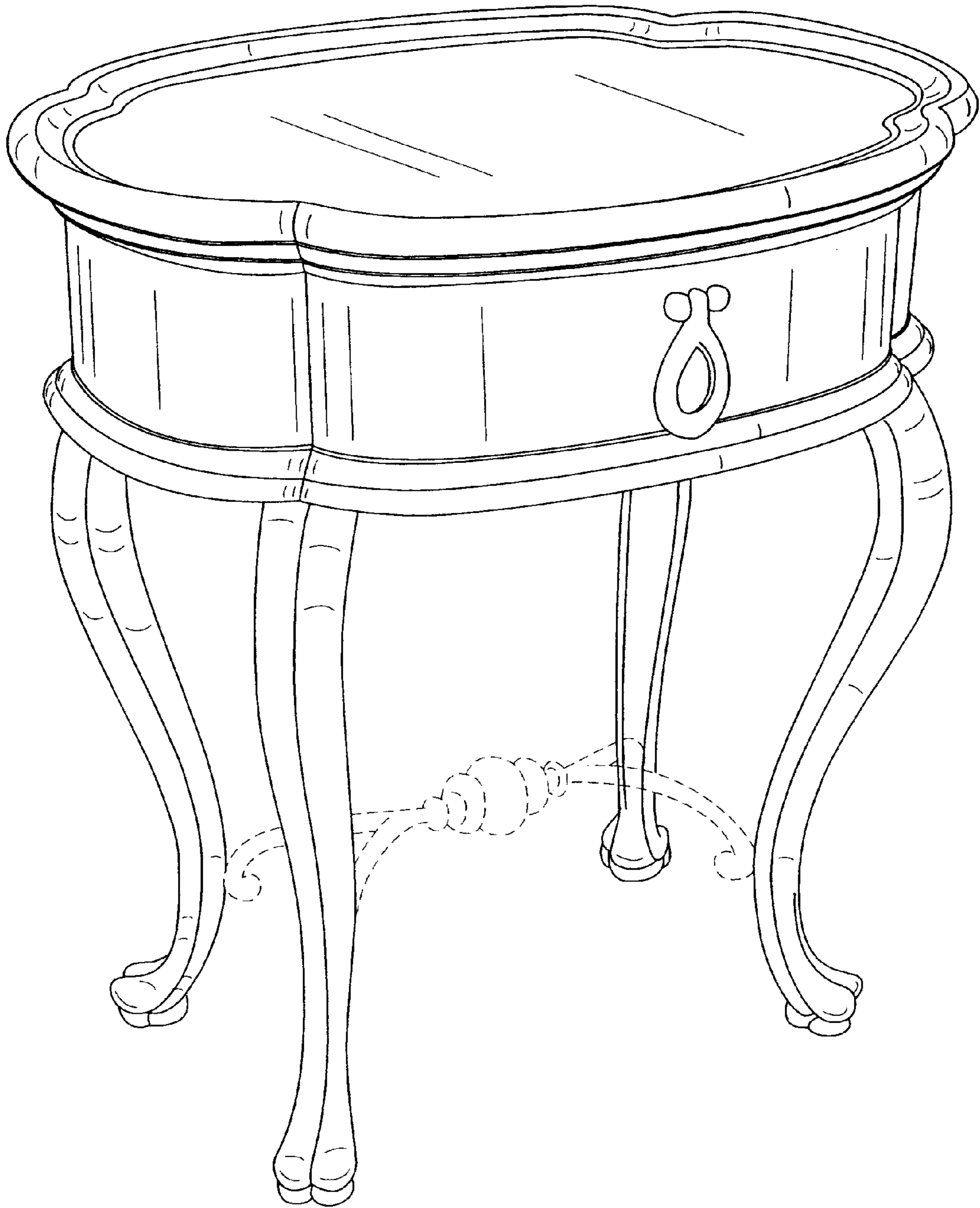


FIG. 1

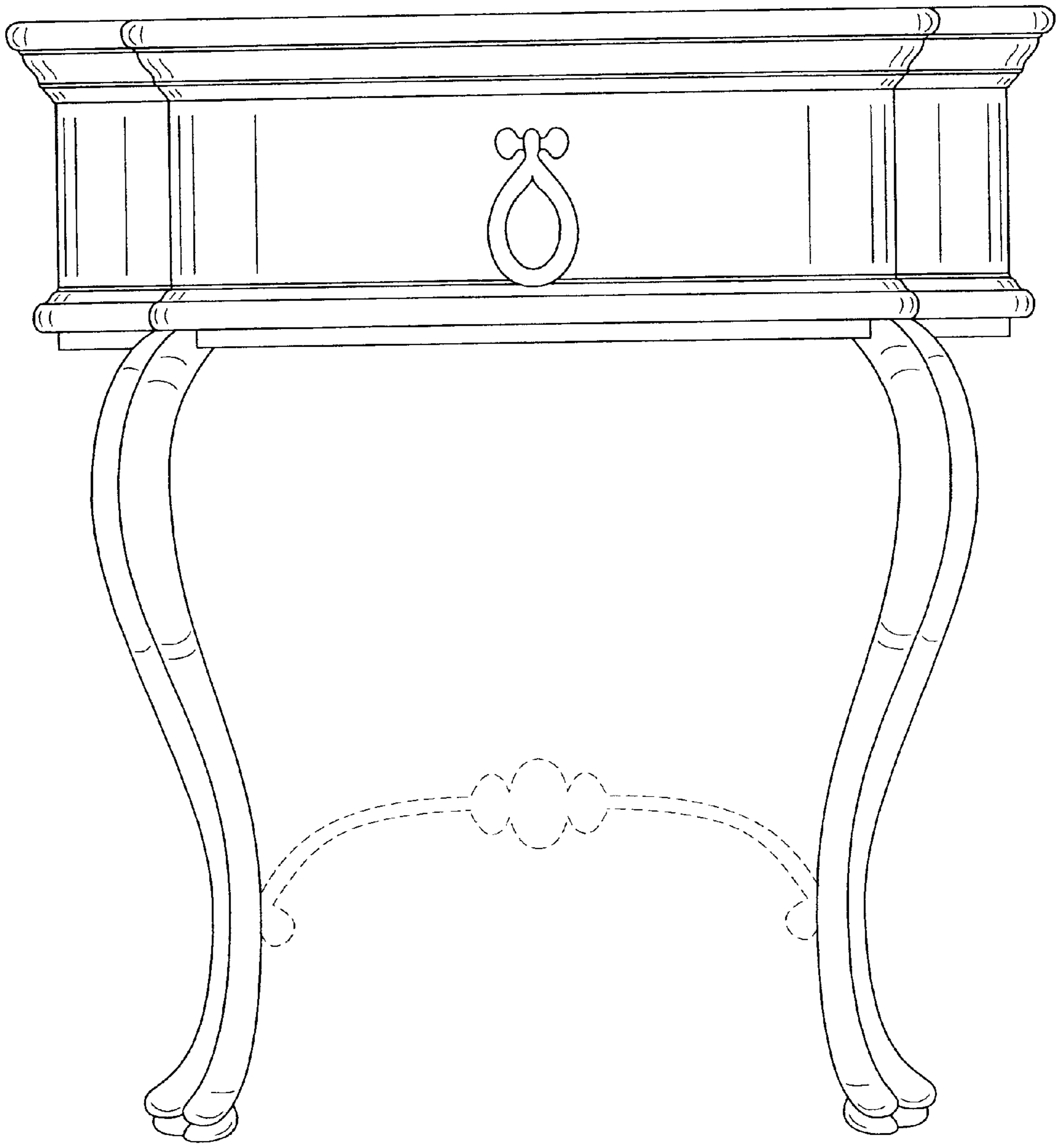


FIG. 2

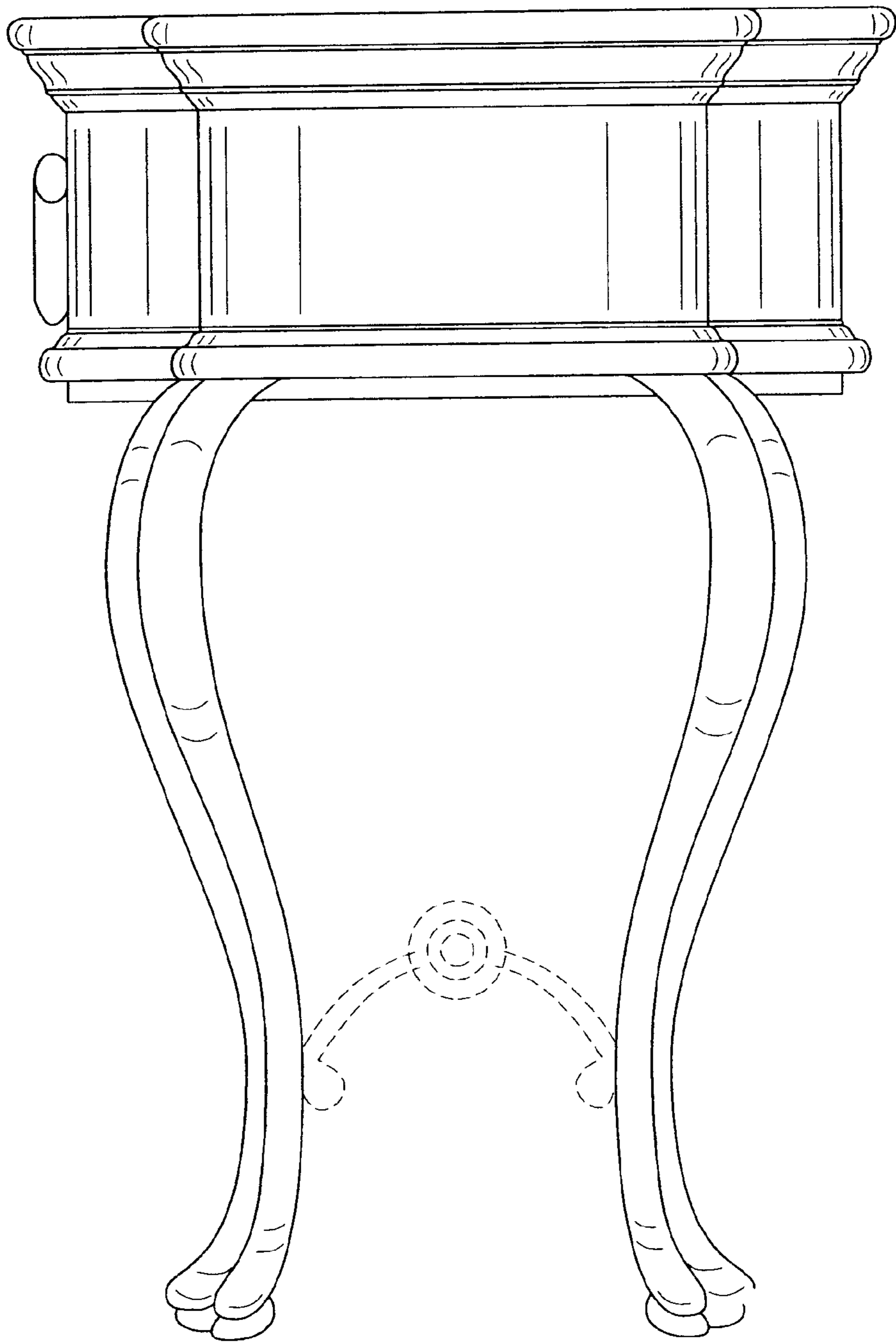


FIG. 3

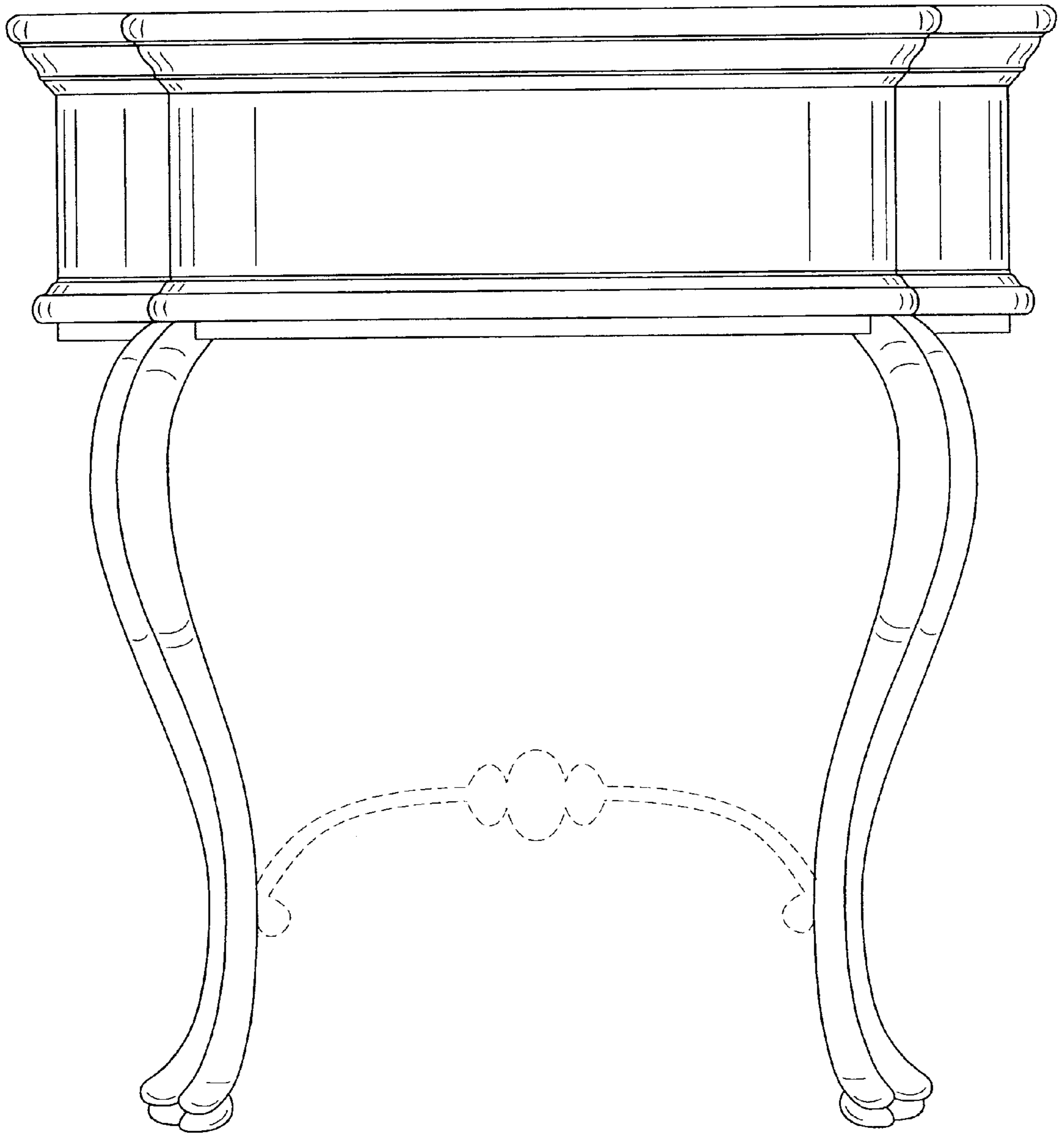


FIG. 4

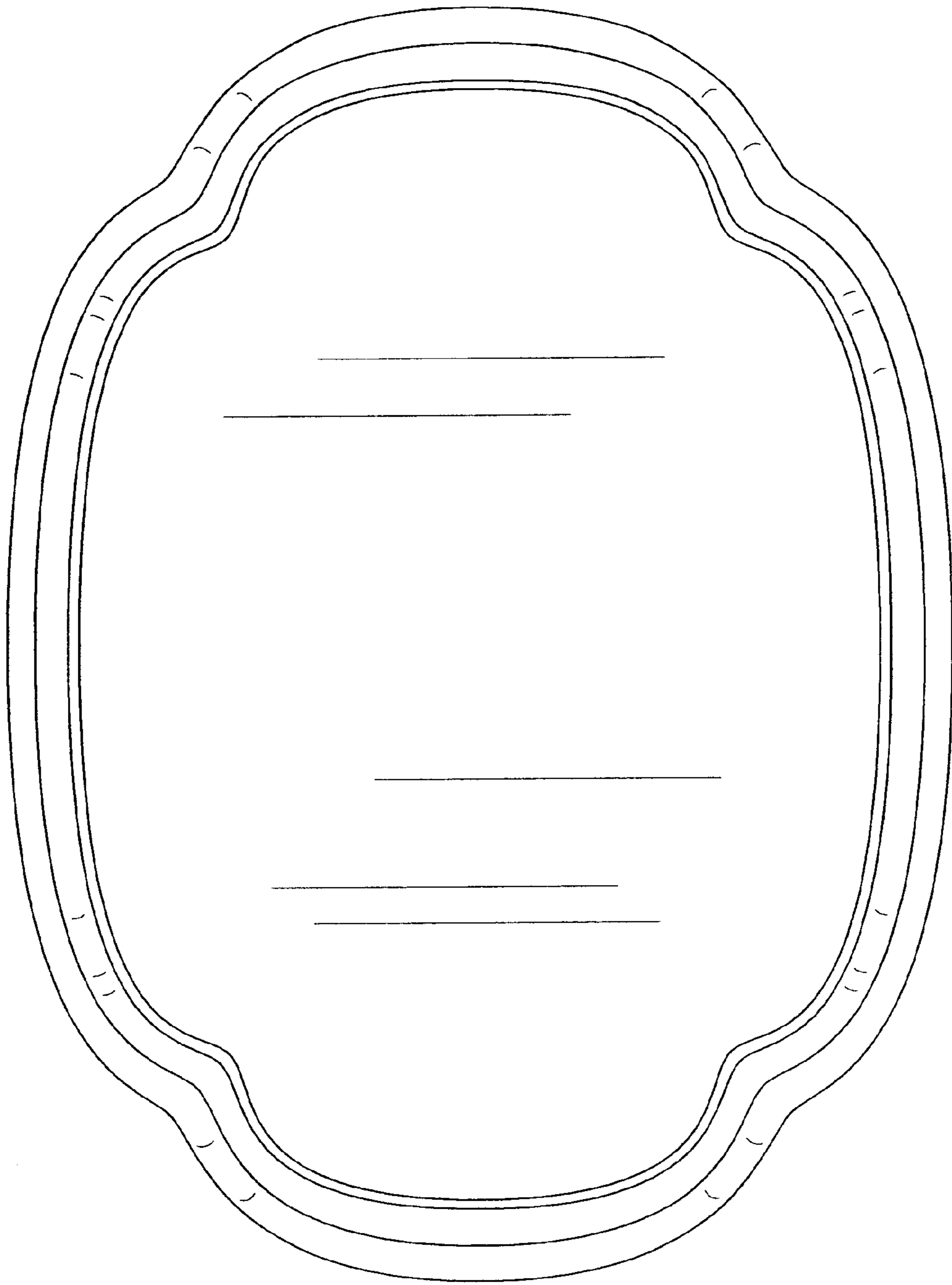


FIG. 5