



US00D461654S

(12) **United States Design Patent**
Tamburello

(10) **Patent No.:** **US D461,654 S**

(45) **Date of Patent:** **** Aug. 20, 2002**

(54) **COLLECTIBLE HOLDER AND DISPLAY**

(76) **Inventor:** **Vincent Tamburello**, 5 Natasha Cir.,
Methuen, MA (US) 01844

(**) **Term:** **14 Years**

(21) **Appl. No.:** **29/147,260**

(22) **Filed:** **Aug. 27, 2001**

(51) **LOC (7) Cl.** **06-04**

(52) **U.S. Cl.** **D6/470; D6/471**

(58) **Field of Search** D6/449, 455, 457,
D6/466, 470, 471, 472, 475; 312/107, 114,
117, 138.1, 204, 234

(56) **References Cited**

U.S. PATENT DOCUMENTS

D300,995 S	*	5/1989	Fruscio	D6/475
D369,473 S	*	5/1996	Gluck	D6/300
D423,796 S	*	5/2000	Kwan	D6/314
D450,484 S	*	11/2001	Tamburello	D6/470

* cited by examiner

Primary Examiner—Cathron C. Brooks

(74) *Attorney, Agent, or Firm*—Lambert & Associates;
Gary E. Lambert; Edward Timmer

(57) **CLAIM**

The ornamental design for a collectible holder and display,
as shown and described.

DESCRIPTION

FIG. 1 is a front elevational view of a collectible holder and display which embodies the present design shown in full lines, the items shown in broken lines within the collectible holder and display reflect objects on display and depicted for illustrative purposes only and form no part of the claimed design;

FIG. 2 is a rear elevational view of a collectible holder and display of FIG. 1;

FIG. 3 is a left end elevational view of a collectible holder and display of FIG. 1;

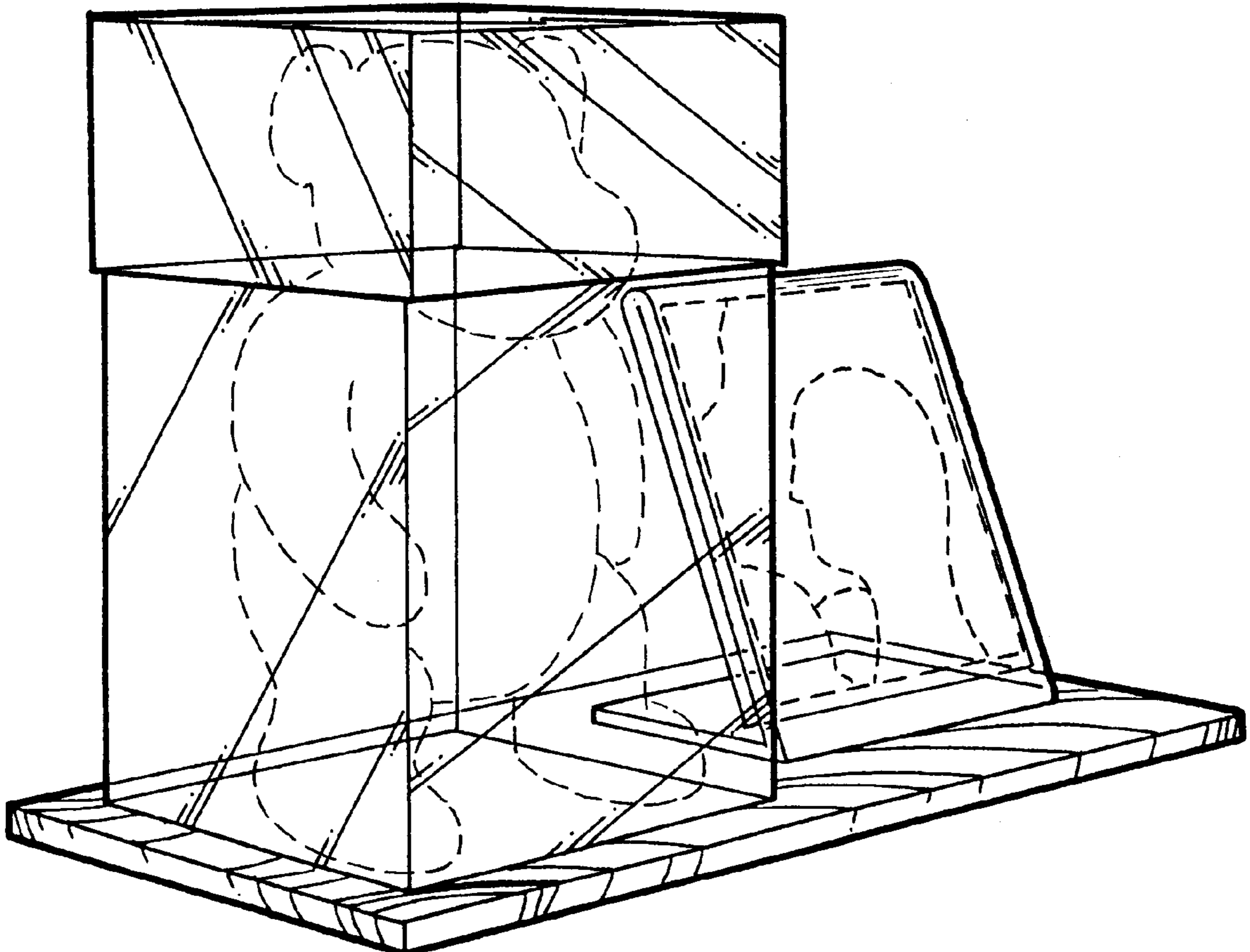
FIG. 4 is a right end elevational view of a collectible holder and display of FIG. 1;

FIG. 5 is a top plan view of a collectible holder and display of FIG. 1;

FIG. 6 is a bottom plan view of a collectible holder and display of FIG. 1; and,

FIG. 7 is a left front perspective view of FIG. 1.

1 Claim, 4 Drawing Sheets



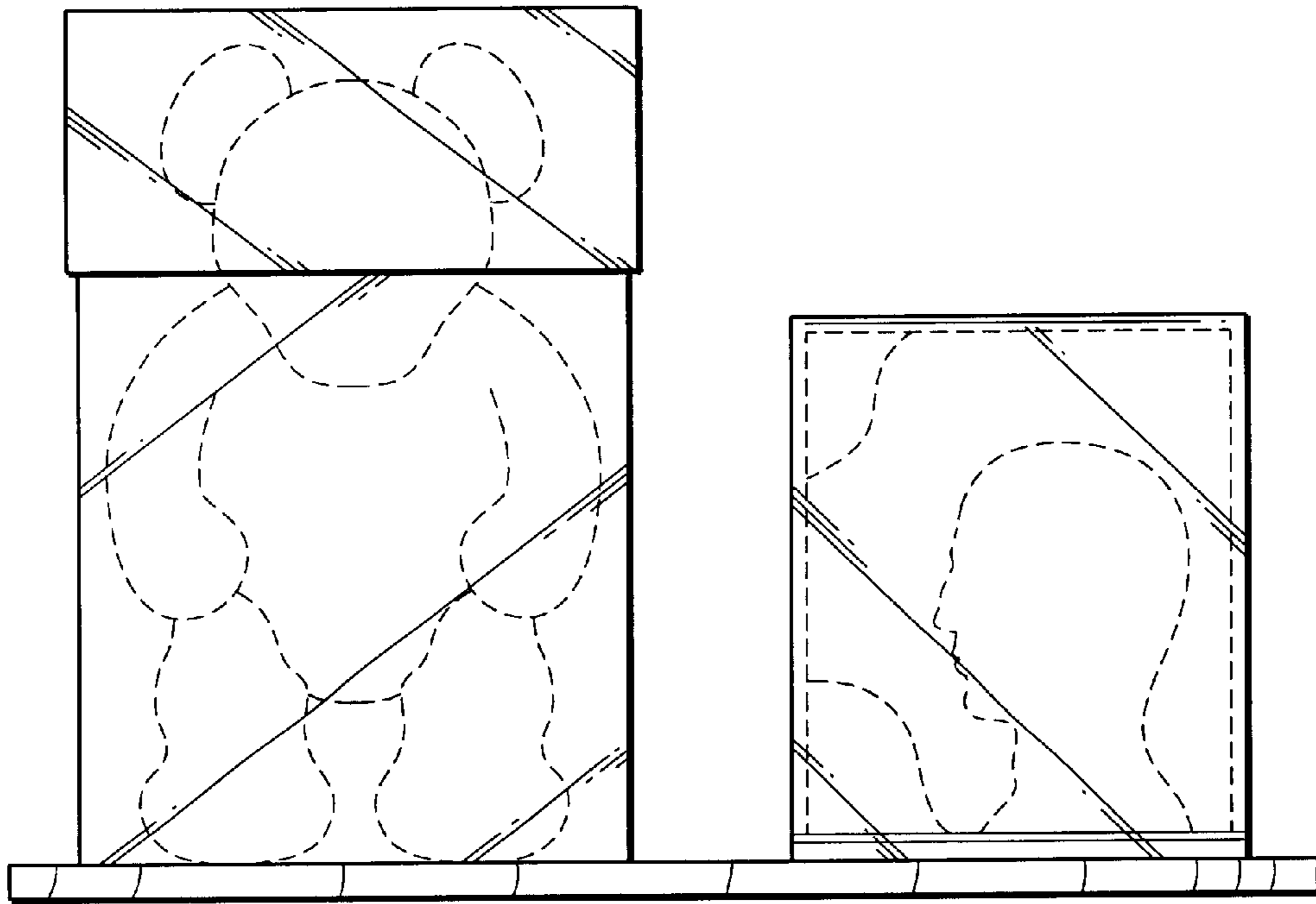


FIG. 1

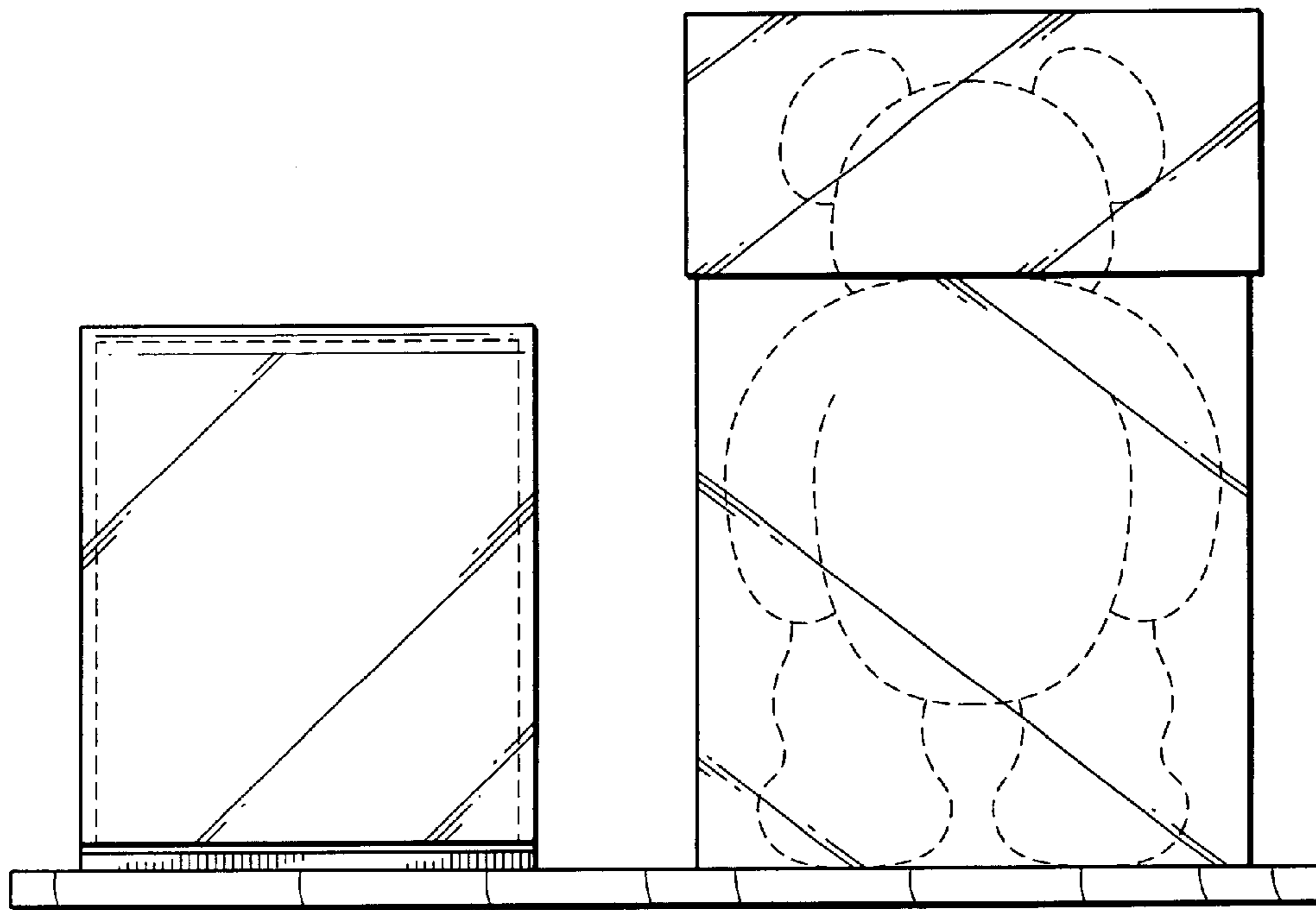


FIG. 2

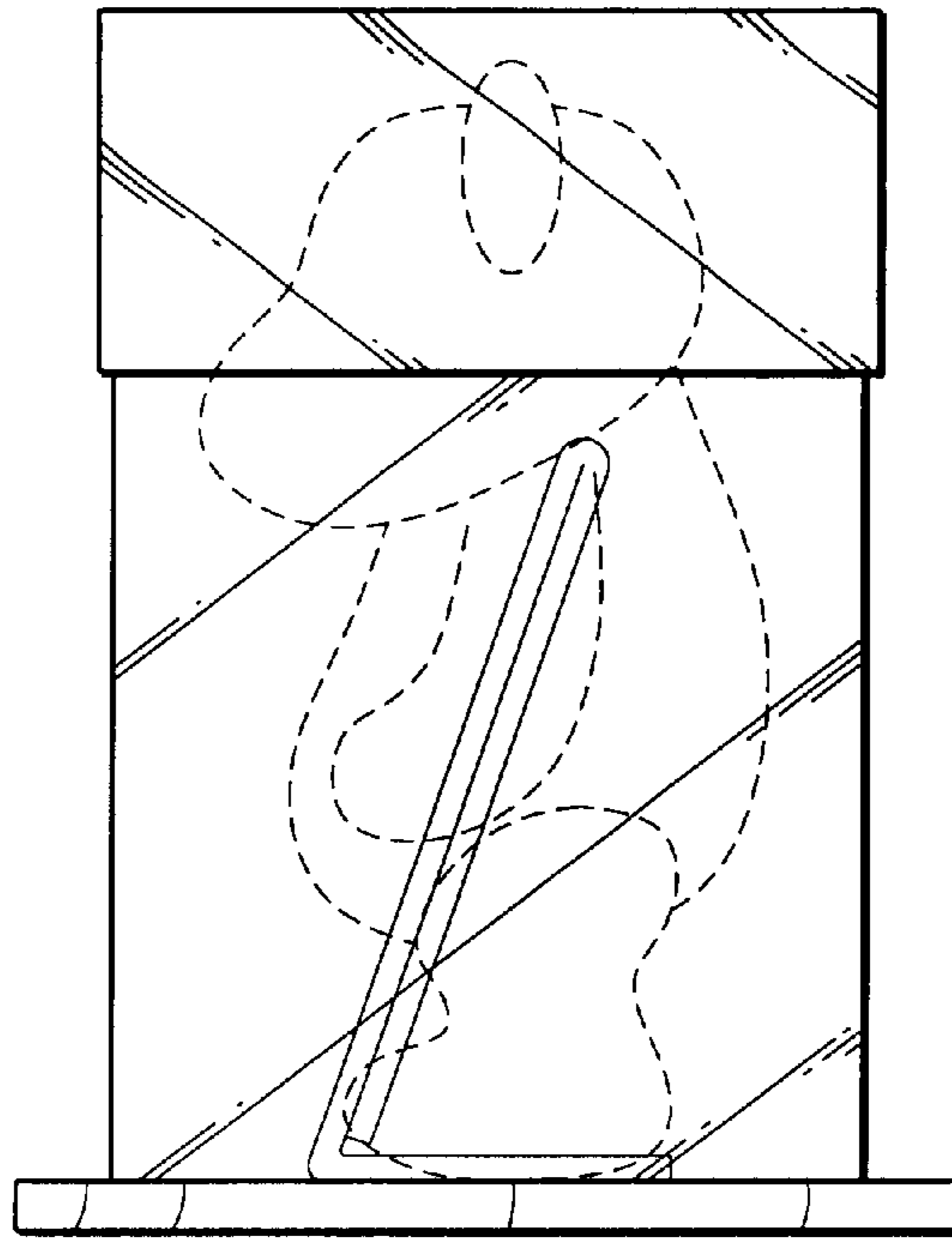


FIG. 3

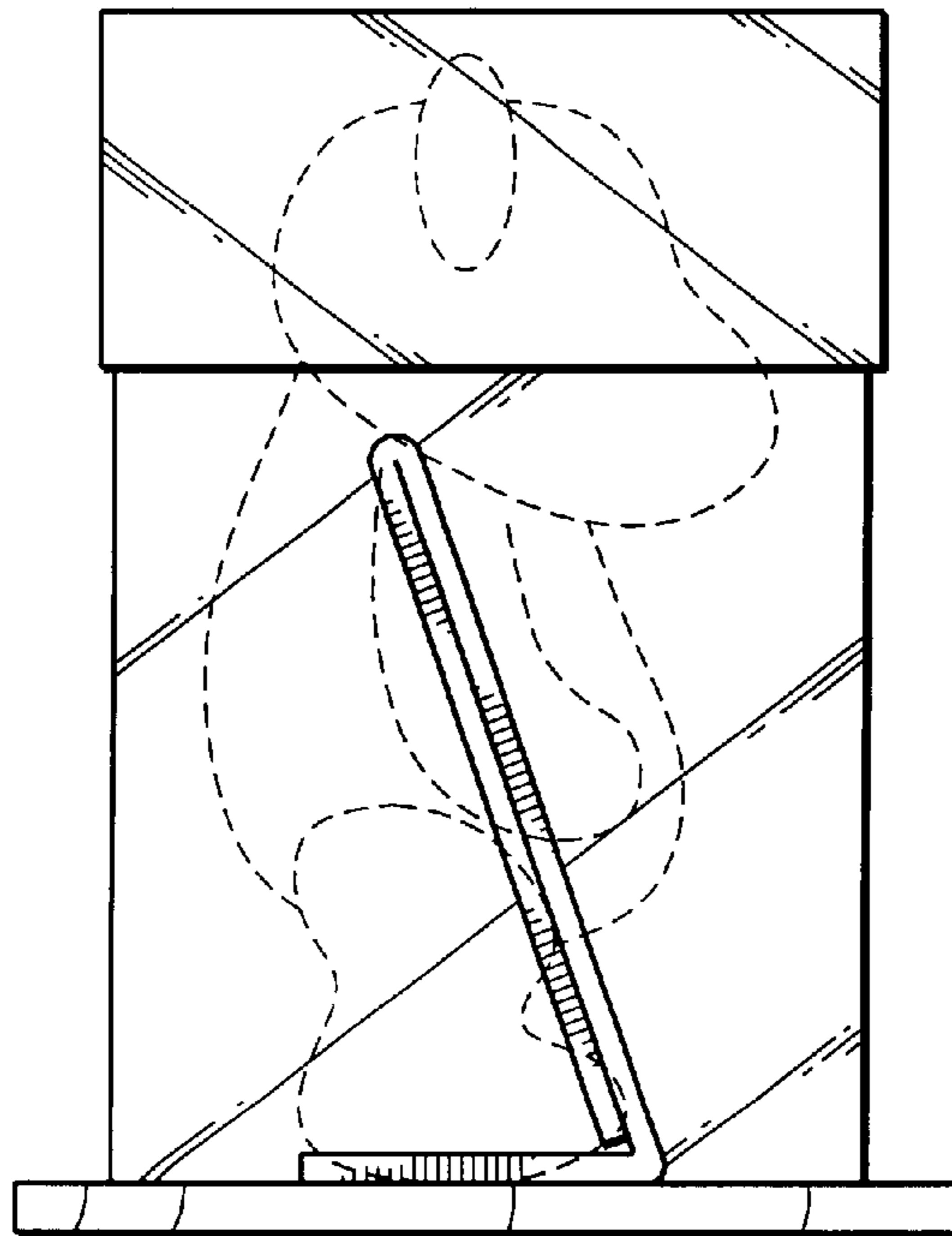


FIG. 4

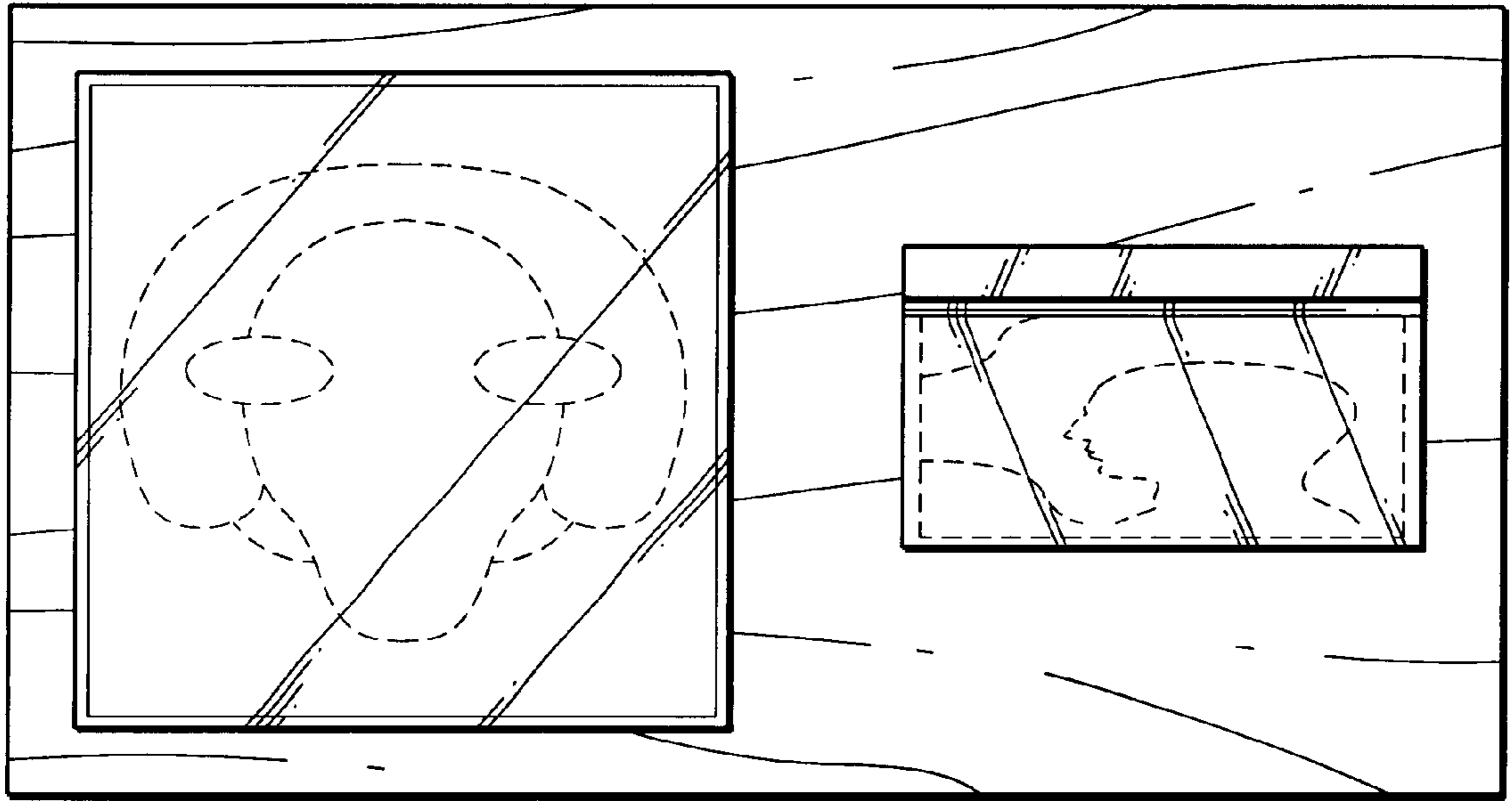


FIG. 5



FIG. 6

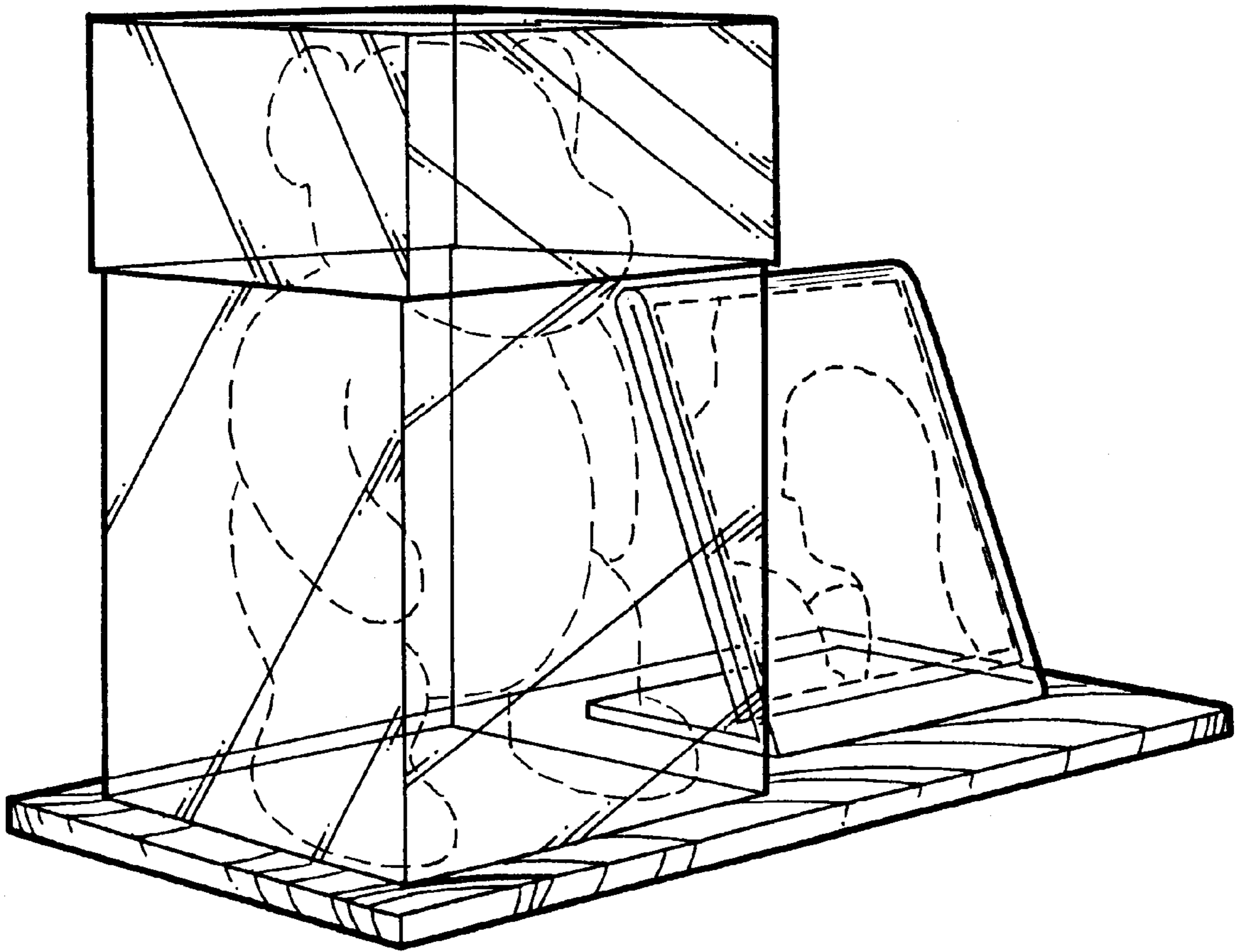


FIG.7