



US00D461650S

(12) **United States Design Patent**
Goodman et al.

(10) **Patent No.:** **US D461,650 S**

(45) **Date of Patent:** **** Aug. 20, 2002**

(54) **HOOK RACK**

(75) Inventors: **Sheldon H. Goodman**, 30905 Stratford,
Solon, OH (US) 44139; **Brian**
Stelmarski, Mayfield Heights, OH (US)

(73) Assignee: **Sheldon H. Goodman**, Solon, OH (US)

(**) Term: **14 Years**

(21) Appl. No.: **29/135,544**

(22) Filed: **Jan. 12, 2001**

(51) **LOC (7) Cl.** **06-06**

(52) **U.S. Cl.** **D6/372; D6/513; D6/566**

(58) **Field of Search** D6/566, 513-514,
D6/323; D8/370, 372; 248/302, 303, 309,
339; 211/87.1, 181.1, 106

(56) **References Cited**

U.S. PATENT DOCUMENTS

D295,344 S * 4/1988 Pryor et al. D6/566 X
D298,713 S * 11/1988 Hinderaker et al. D6/566 X
D324,783 S 3/1992 Greenhut et al. D6/323

D355,841 S * 2/1995 Goodman et al. D6/566 X
D363,208 S * 10/1995 Seidel D6/566 X
D371,484 S * 7/1996 Munoz D6/566
D421,355 S * 3/2000 Goodman et al. D6/566 X
D430,441 S * 9/2000 Rosenberg D6/566

* cited by examiner

Primary Examiner—Brian N. Vinson

(74) *Attorney, Agent, or Firm*—Pearne & Gordon LLP

(57) **CLAIM**

The ornamental design for a hook rack, as shown and described.

DESCRIPTION

FIG. 1 is a perspective view of a hook rack showing our new design;

FIG. 2 is a front elevational view thereof;

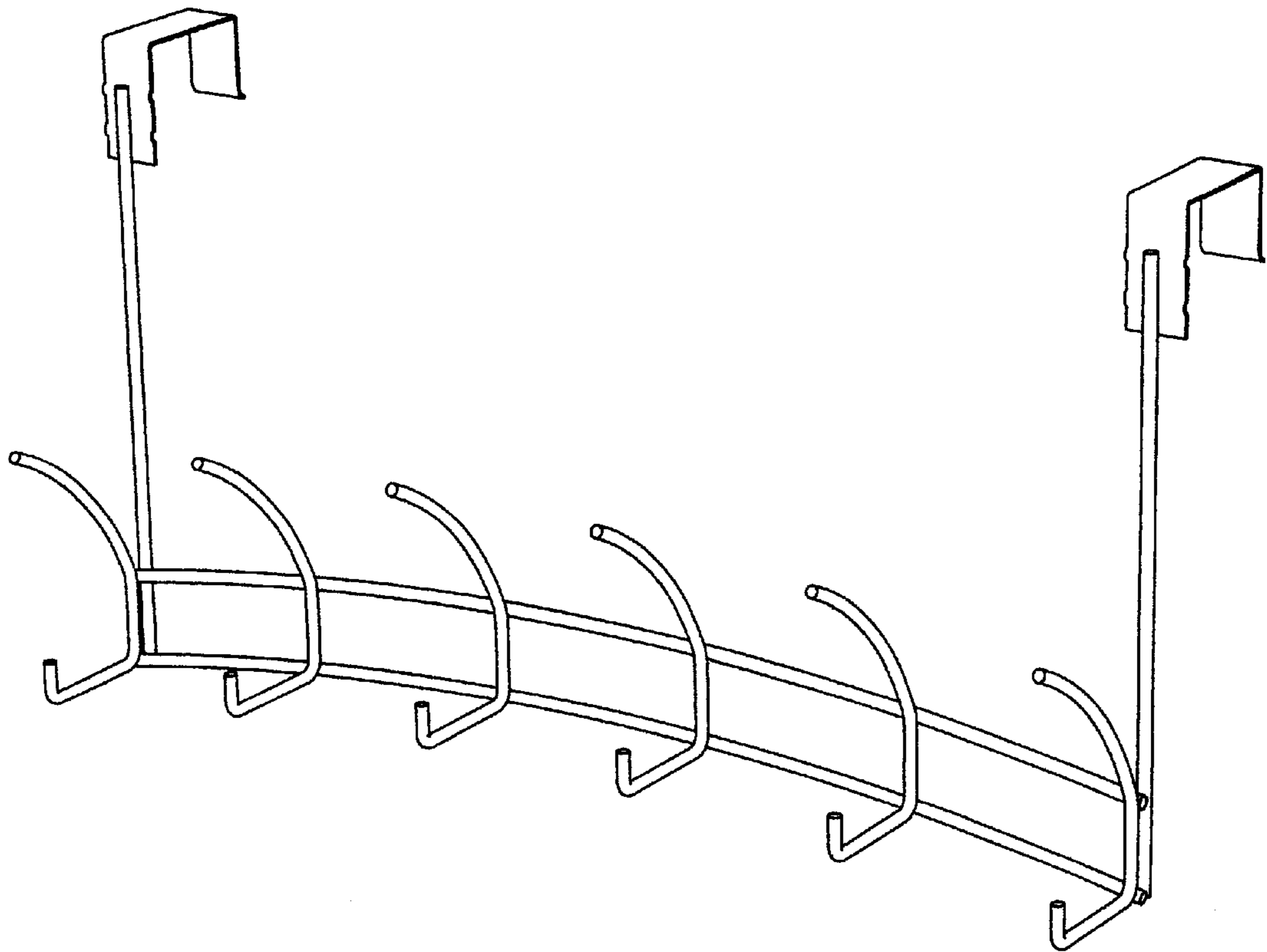
FIG. 3 is a right side elevational view thereof, the left side view being a mirror image;

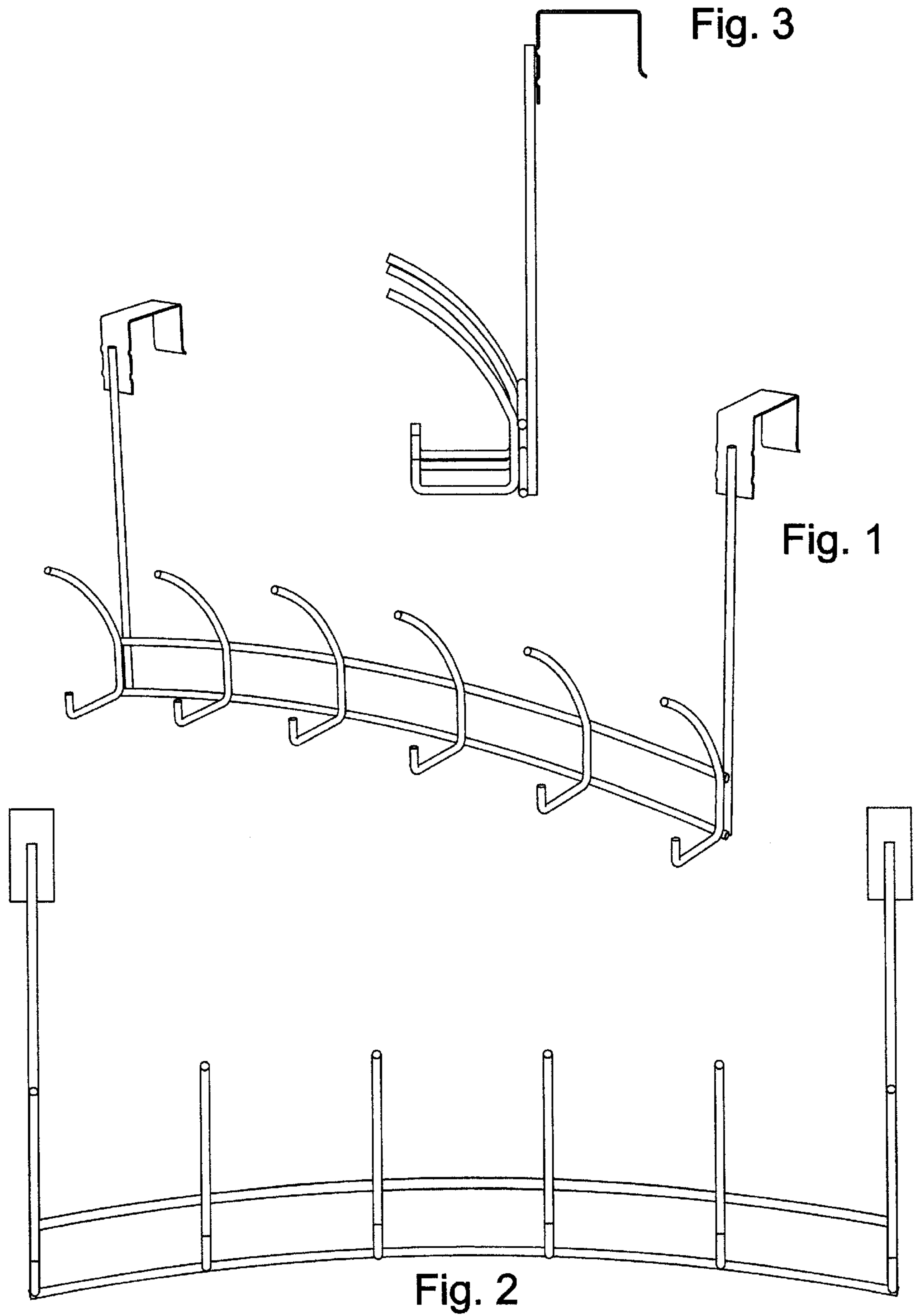
FIG. 4 is a rear elevational view thereof;

FIG. 5 is a top plan view thereof; and,

FIG. 6 is a bottom plan view thereof.

1 Claim, 2 Drawing Sheets





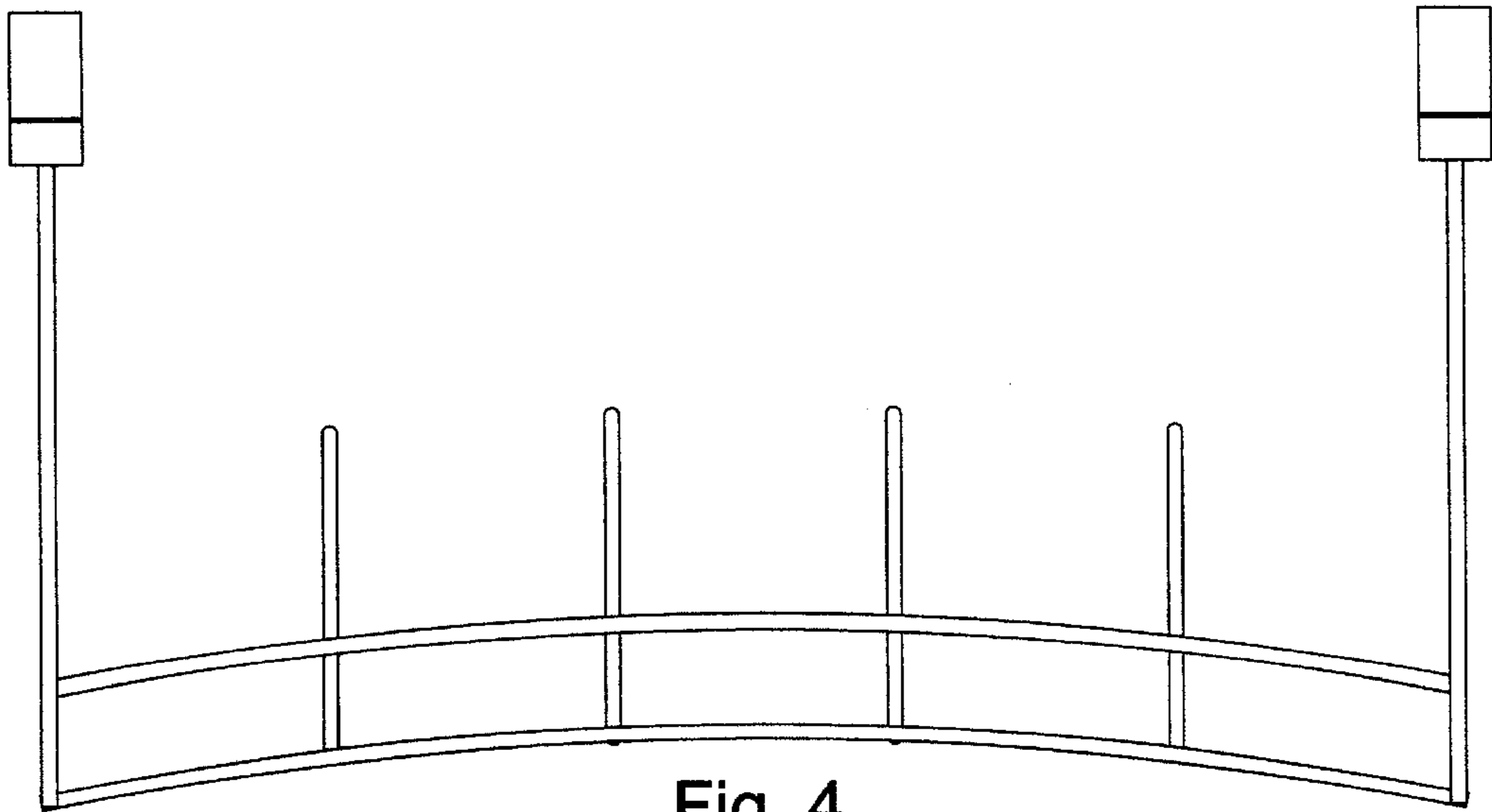


Fig. 4

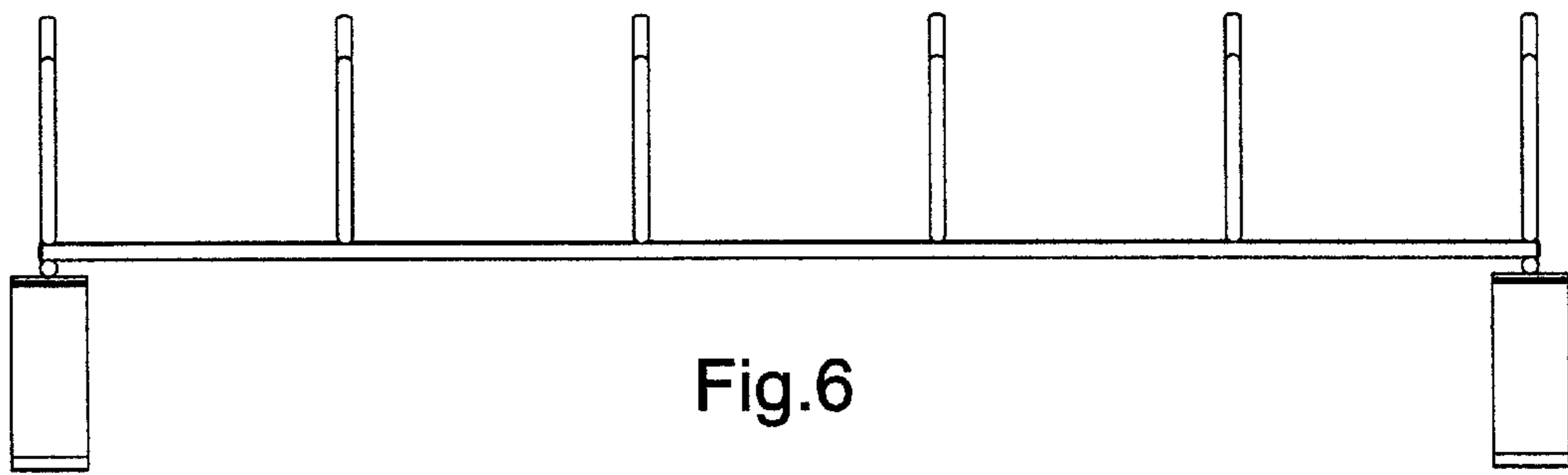


Fig. 6

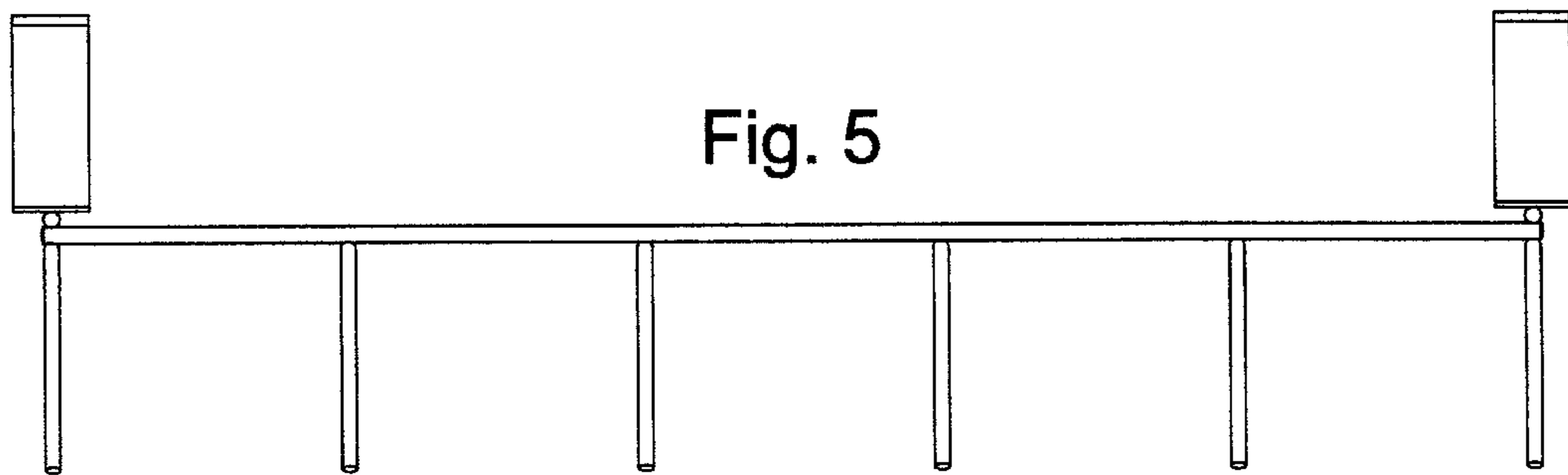


Fig. 5