

US00D461649S

(12) **United States Design Patent**
Prins et al.

(10) **Patent No.:** **US D461,649 S**

(45) **Date of Patent:** **** Aug. 20, 2002**

(54) **WASTE BENCH**

(75) Inventors: **Michael D. Prins**, Grand Rapids; **Mark J. Dorais**, Battle Creek; **Alvin L. Dial**, East Grand Rapids, all of MI (US)

(73) Assignee: **Cascade Engineering, Inc.**, Grand Rapids, MI (US)

(**) Term: **14 Years**

(21) Appl. No.: **29/154,310**

(22) Filed: **Jan. 22, 2002**

| | | |
|-------------|---------|------------------|
| 5,444,397 A | 8/1995 | Evans |
| D374,528 S | 10/1996 | Zackson et al. |
| D389,646 S | 1/1998 | Sankey et al. |
| D390,265 S | 2/1998 | Cheris et al. |
| D393,724 S | 4/1998 | Sagol |
| D399,654 S | 10/1998 | Mandell |
| 5,868,267 A | 2/1999 | Taylor |
| D411,625 S | 6/1999 | Fuller et al. |
| D414,934 S | 10/1999 | Dickinson et al. |
| 5,967,361 A | 10/1999 | Darnell |
| D418,326 S | 1/2000 | Sexton et al. |
| D421,181 S | 2/2000 | Tisbo et al. |
| D429,418 S | 8/2000 | Tisbo et al. |
| D432,322 S | 10/2000 | Mandell |
| D444,626 S | 7/2001 | Anderson et al. |

Related U.S. Application Data

(62) Division of application No. 29/130,765, filed on Oct. 10, 2000.

(51) **LOC (7) Cl.** **06-01**

(52) **U.S. Cl.** **D6/336; D6/349; D6/440; D34/8**

(58) **Field of Search** D3/272, 273, 294; D6/334-336, 349, 440, 441, 443, 448, 432; D32/37; D34/1, 7, 8; 220/908; 297/188.08, 188.09, 188.1, 217.1, 217.5; 312/204

(56) **References Cited**

U.S. PATENT DOCUMENTS

| | | |
|-------------|---------|----------------|
| 3,628,685 A | 12/1971 | Gordon |
| 4,801,034 A | 1/1989 | Sandomeno |
| 5,072,828 A | 12/1991 | Irvine |
| D332,332 S | 1/1993 | Markey |
| D335,730 S | 5/1993 | Tessner et al. |
| 5,417,338 A | 5/1995 | Roy et al. |
| D361,220 S | 8/1995 | Cacciola |

FOREIGN PATENT DOCUMENTS

| | | |
|----|---------|---------|
| DE | 3321317 | 12/1984 |
| DE | 677096 | 4/1991 |

Primary Examiner—Cathron C. Brooks

(74) *Attorney, Agent, or Firm*—Warner Norcross & Judd LLP

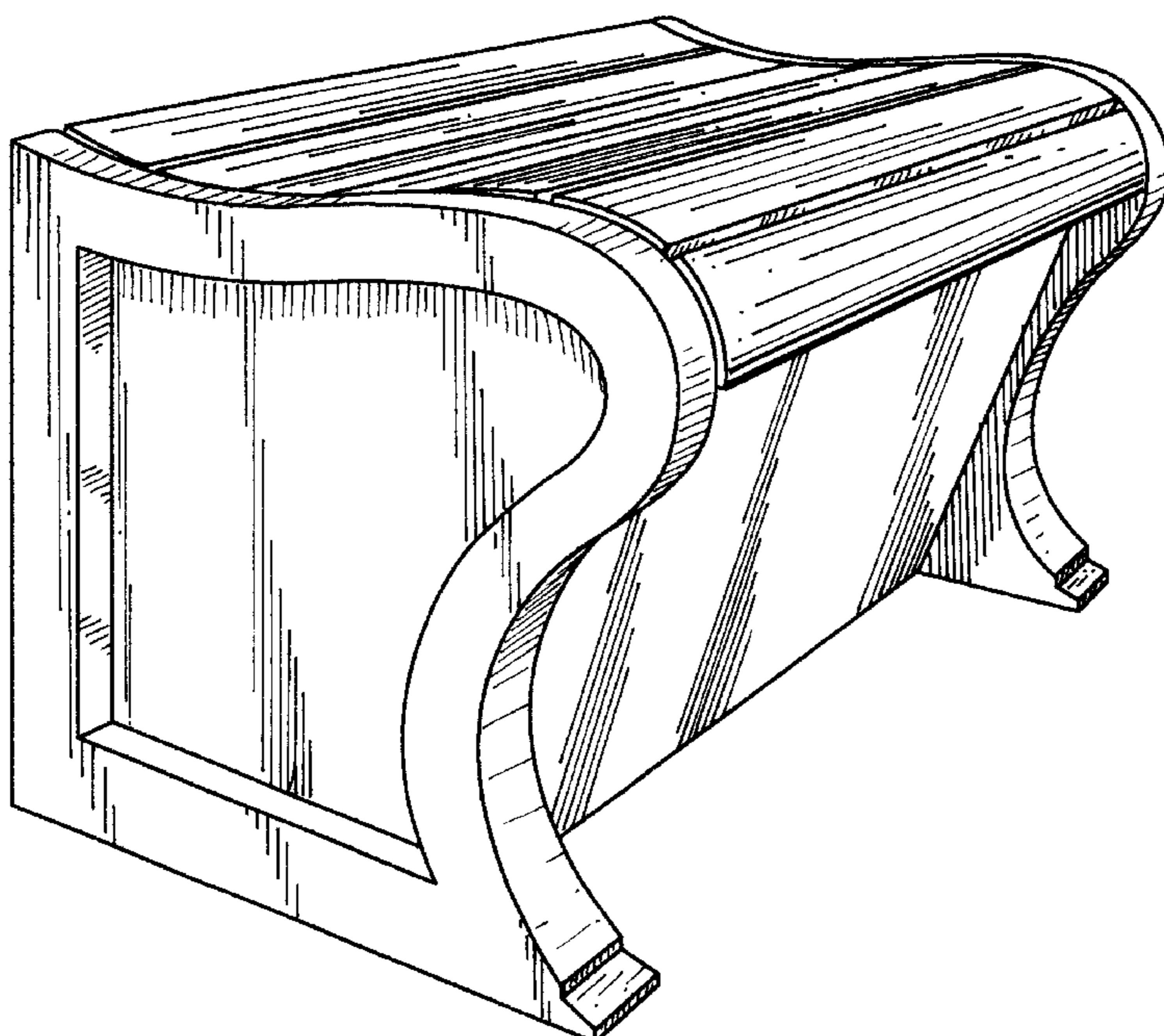
(57) **CLAIM**

The ornamental design for waste bench, as shown and described.

DESCRIPTION

FIG. 1 is a perspective view of the waste bench embodying the new design;
FIG. 2 is left side elevational view thereof, the right side elevational view being the mirror image thereof;
FIG. 3 is a top view thereof;
FIG. 4 is a rear elevational view thereof; and,
FIG. 5 is a front elevational view thereof.

1 Claim, 5 Drawing Sheets



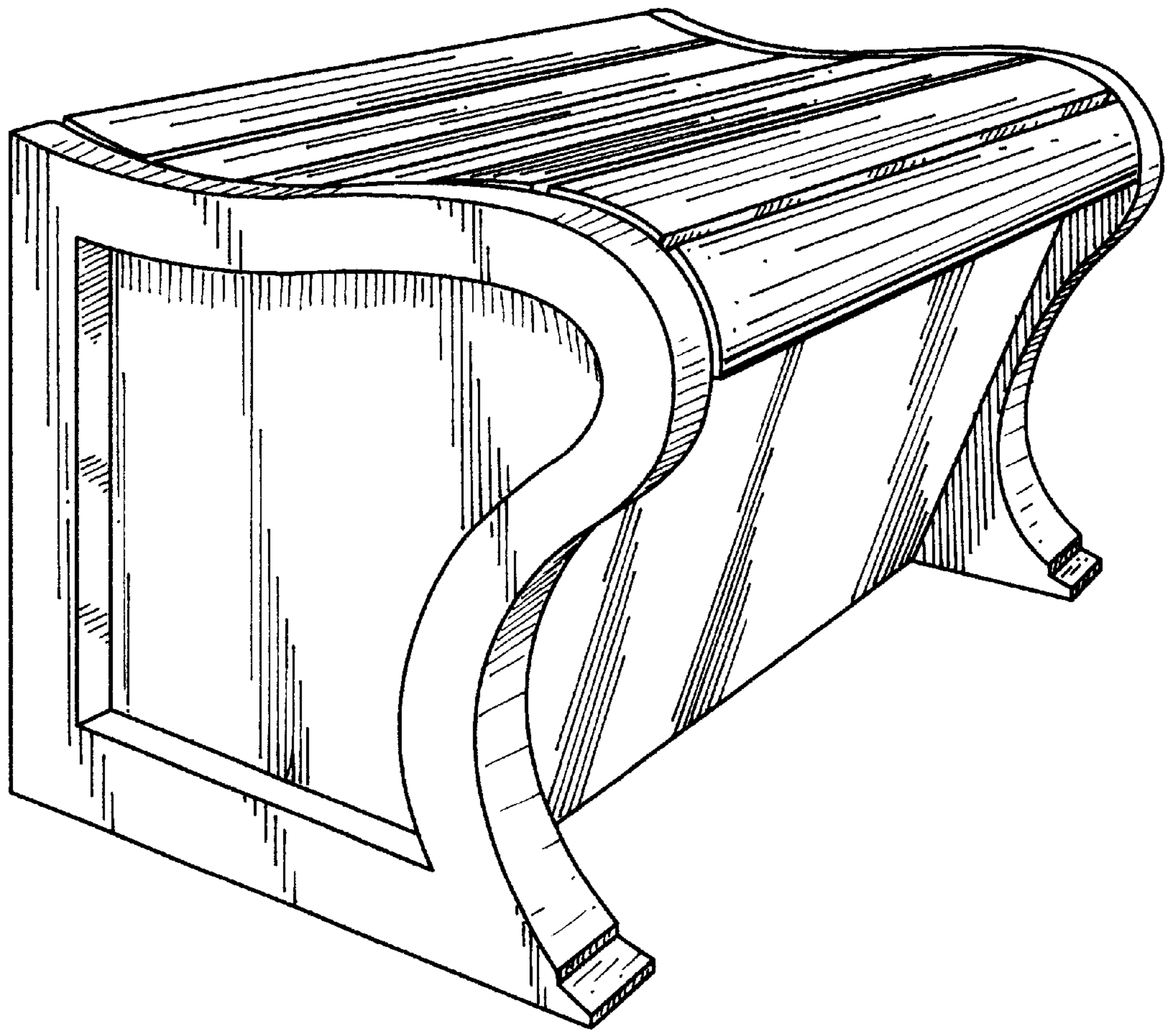


Fig. 1

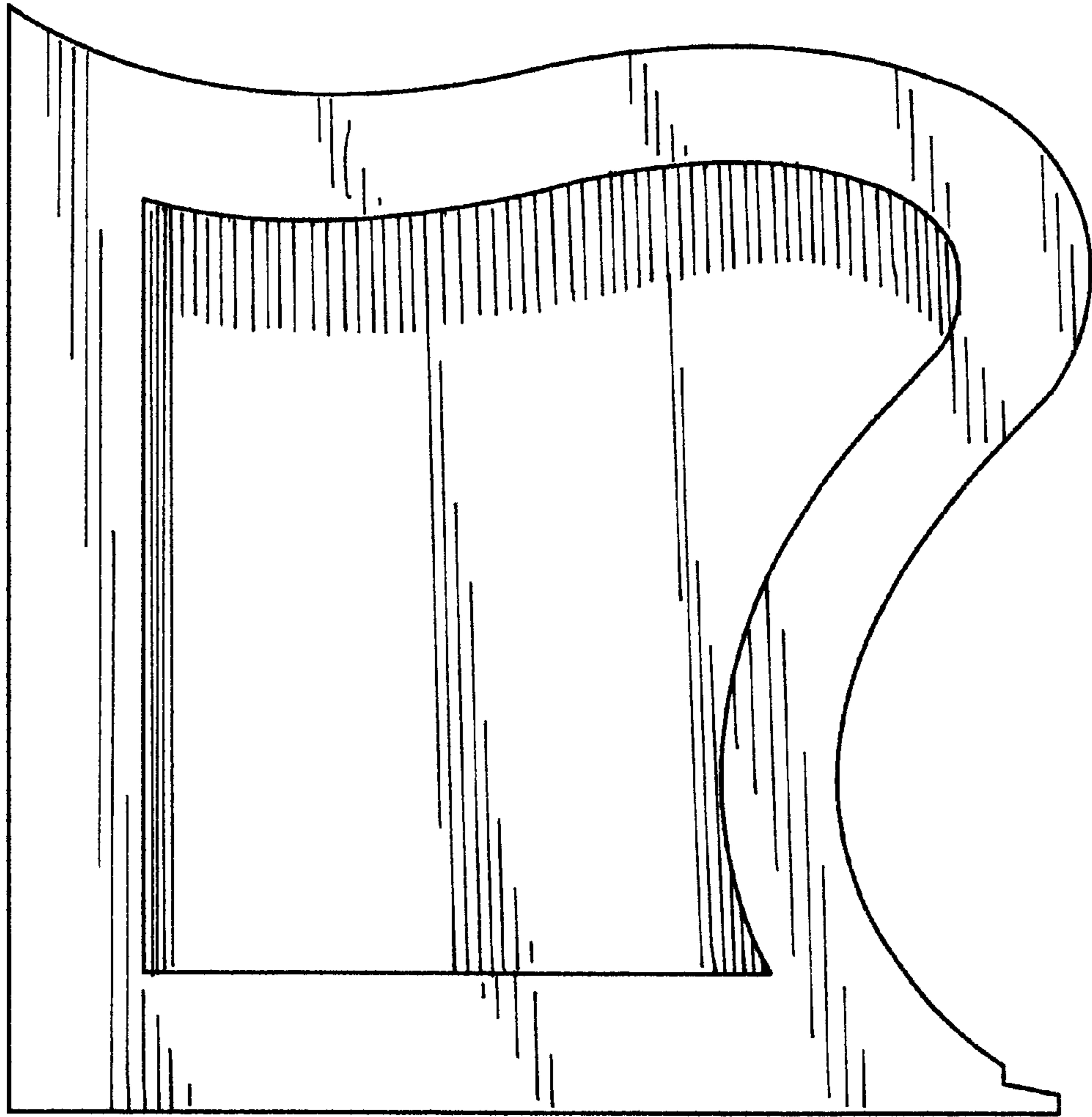


Fig. 2

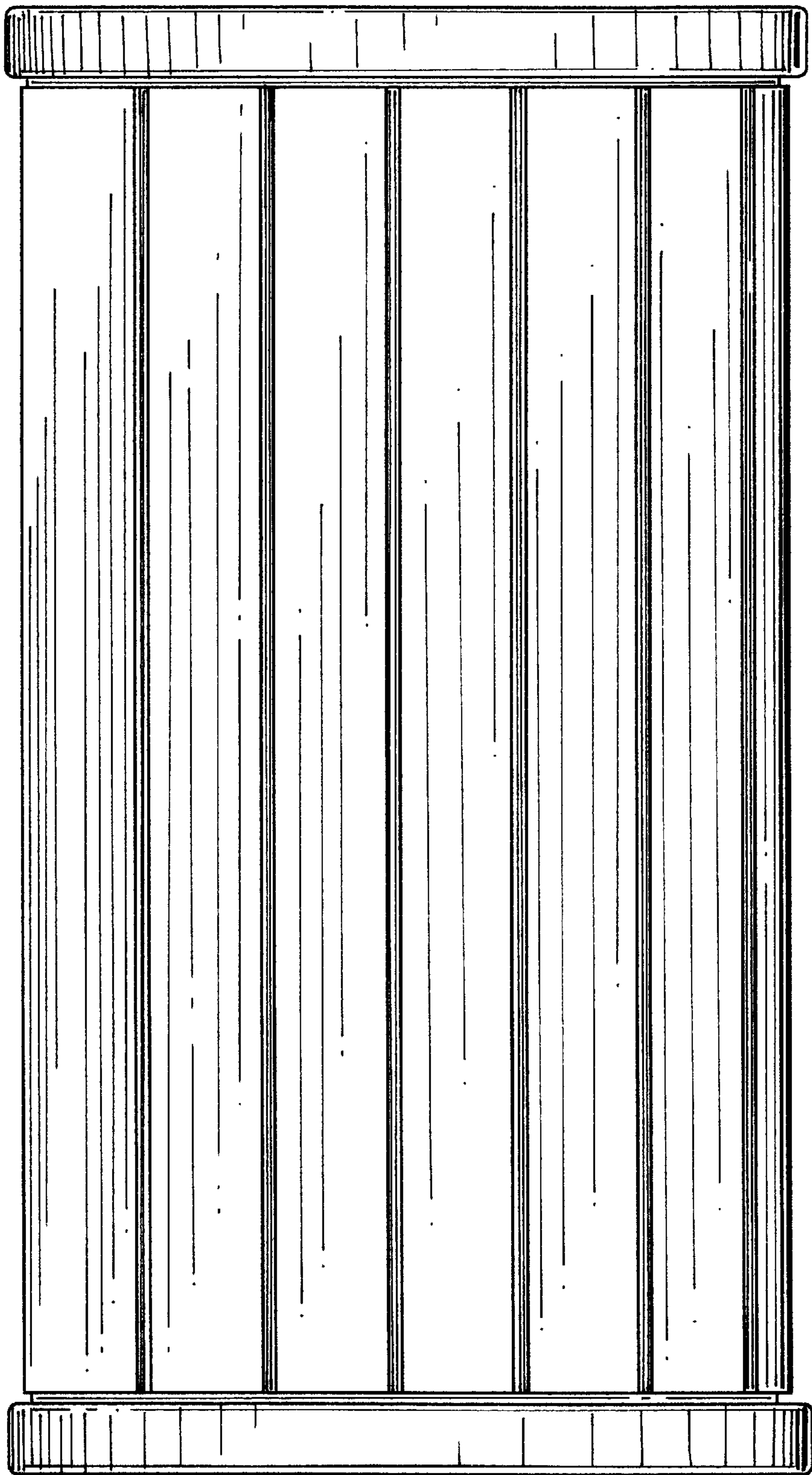


Fig. 3

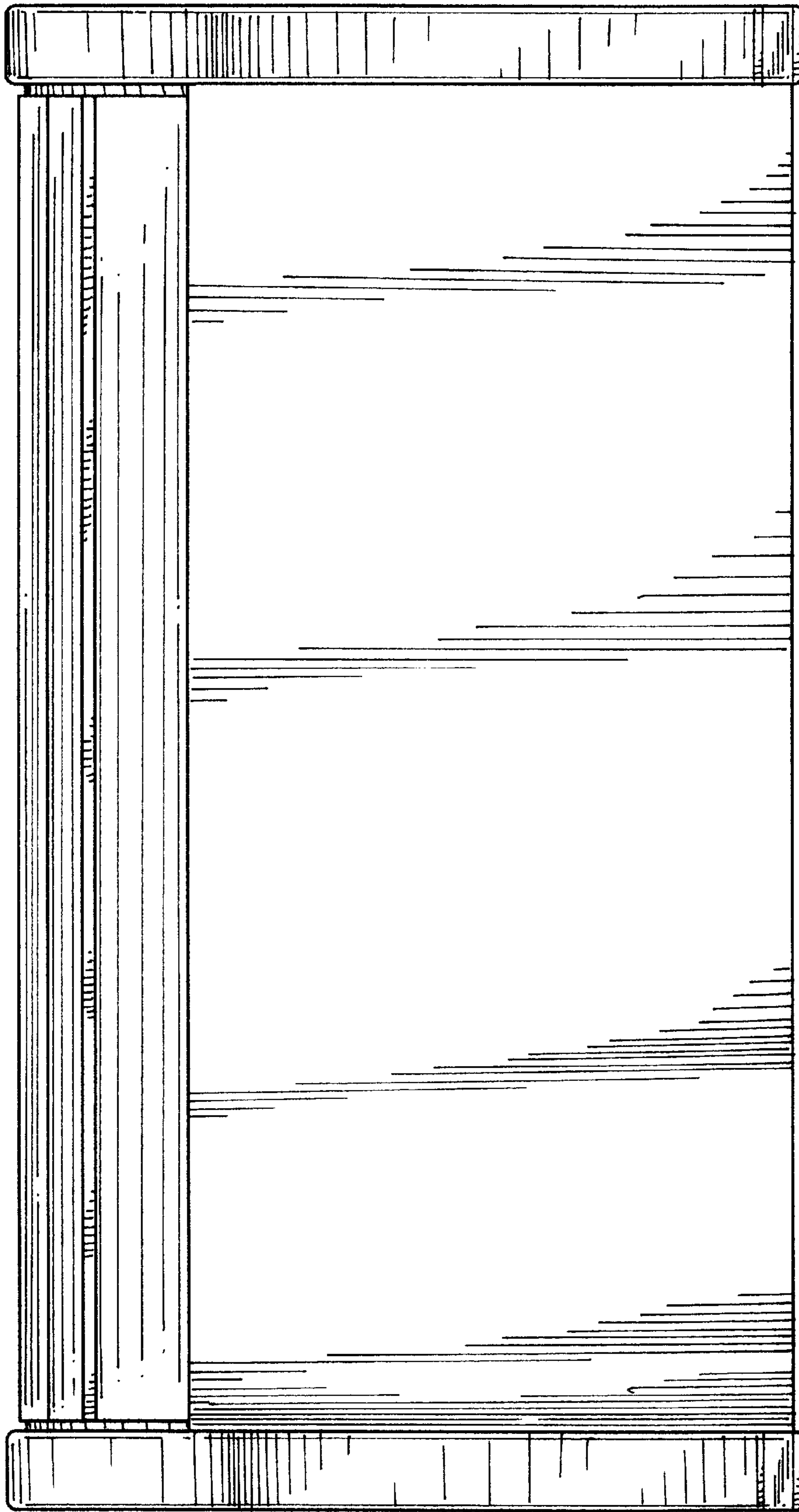


Fig. 4

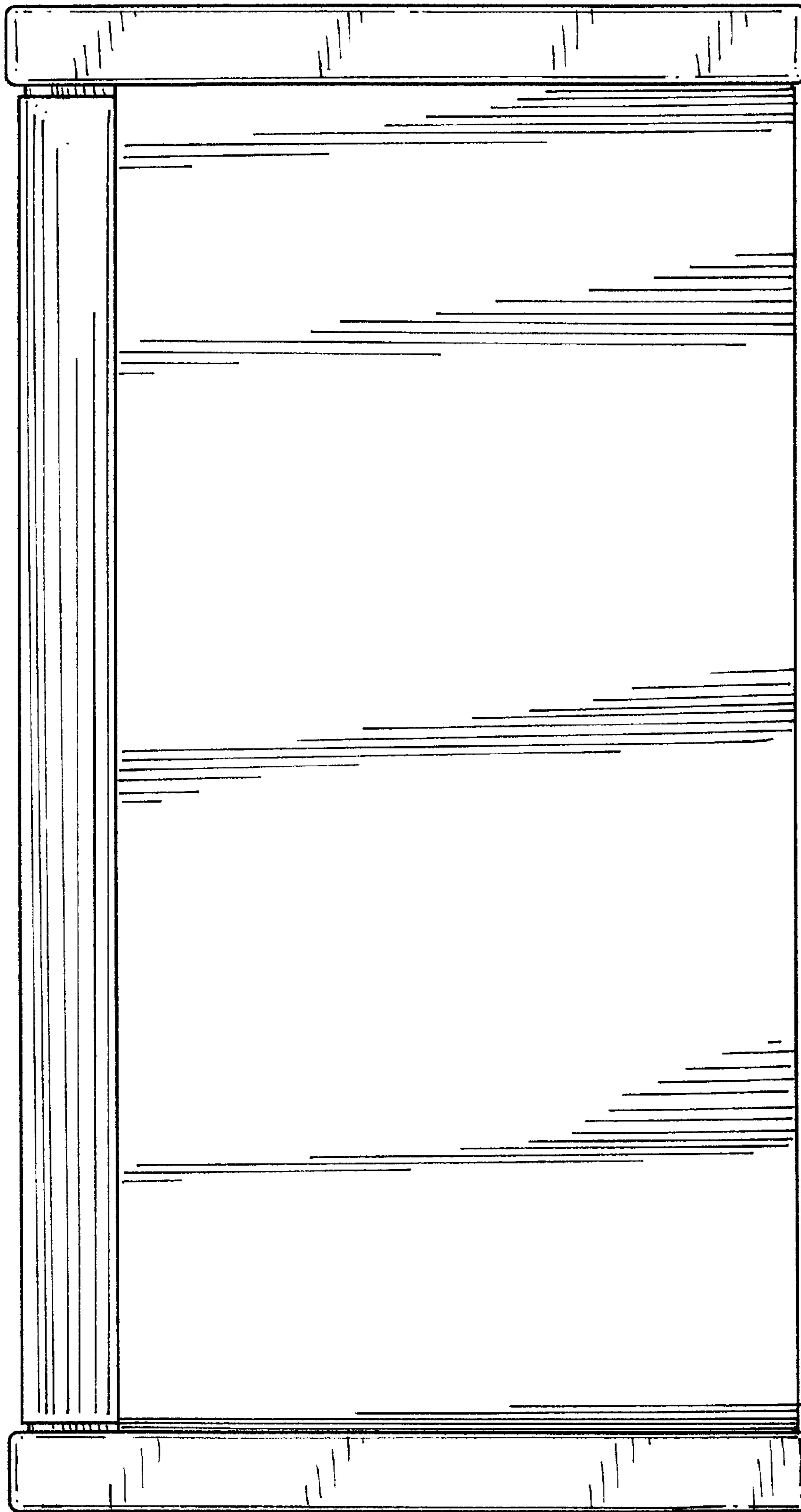


Fig. 5