



US00D461647S

(12) **United States Design Patent**
Stokes

(10) **Patent No.:** **US D461,647 S**

(45) **Date of Patent:** **** Aug. 20, 2002**

(54) **COMBINED CHAIR AND OTTOMAN**

(76) Inventor: **McNeill Stokes**, 1040 Peachtree Battle Ave., Atlanta, GA (US) 30327

(**) Term: **14 Years**

(21) Appl. No.: **29/144,176**

(22) Filed: **Jun. 27, 2001**

(51) **LOC (7) Cl.** **06-01**

(52) **U.S. Cl.** **D6/335; D6/381**

(58) **Field of Search** D6/334, 335, 336, D6/349, 367, 368, 374, 375, 379, 369, 381, 500-502; 297/232, 248, 317, 411.43

(56) **References Cited**

U.S. PATENT DOCUMENTS

820,864 A	*	5/1906	Hanger	297/317
1,879,673 A	*	9/1932	Fischer	297/248
D328,983 S	*	9/1992	Fong	D6/369
D329,545 S	*	9/1992	Fong	D6/369
D363,825 S	*	11/1995	Hess	D6/369
D364,283 S	*	11/1995	Zaldman	D6/365
D395,174 S	*	6/1998	Diaz-azcuy	D6/369
D401,077 S	*	11/1998	Lewis	D6/369
D403,875 S	*	1/1999	Grosfillex	D6/379
D420,830 S	*	2/2000	Tseng	D6/381
D423,806 S	*	5/2000	Tseng	D6/381
D439,068 S	*	3/2001	Vanderbyl	D6/379
D448,192 S	*	9/2001	Kane	D6/375
D453,638 S	*	2/2002	Kane	D6/381

* cited by examiner

Primary Examiner—Doris V. Coles

Assistant Examiner—Mimosa De

(74) *Attorney, Agent, or Firm*—Patent Law Offices of Albert S. Anderson

(57) **CLAIM**

The ornamental design for a combined chair and ottoman, as shown and described.

DESCRIPTION

FIG. 1 is a perspective view of the first embodiment of a combined chair and ottoman showing my new design, in view of a single seat with armrest folded;

FIG. 2 is a front view thereof;

FIG. 3 is a right side view thereof, te left side view being a mirror image of the right side view;

FIG. 4 is a rear view thereof;

FIG. 5 is a top view thereof;

FIG. 6 is a bottom view thereof;

FIG. 7 is a perspective view thereof of an alternate position with armrests extended;

FIG. 8 is a perspective view of the second embodiment of a combined chair and ottoman showing my new design, in view of a two-seat;

FIG. 9 is a perspective view of the third embodiment of a combined chair and ottoman showing my new design, in view of a three-seat; and,

FIG. 10 is a perspective view of the fourth embodiment of a combined chair and ottoman showing my new design, in view a single seat with armrest folded wherein the only difference is the upholstery pattern.

1 Claim, 10 Drawing Sheets

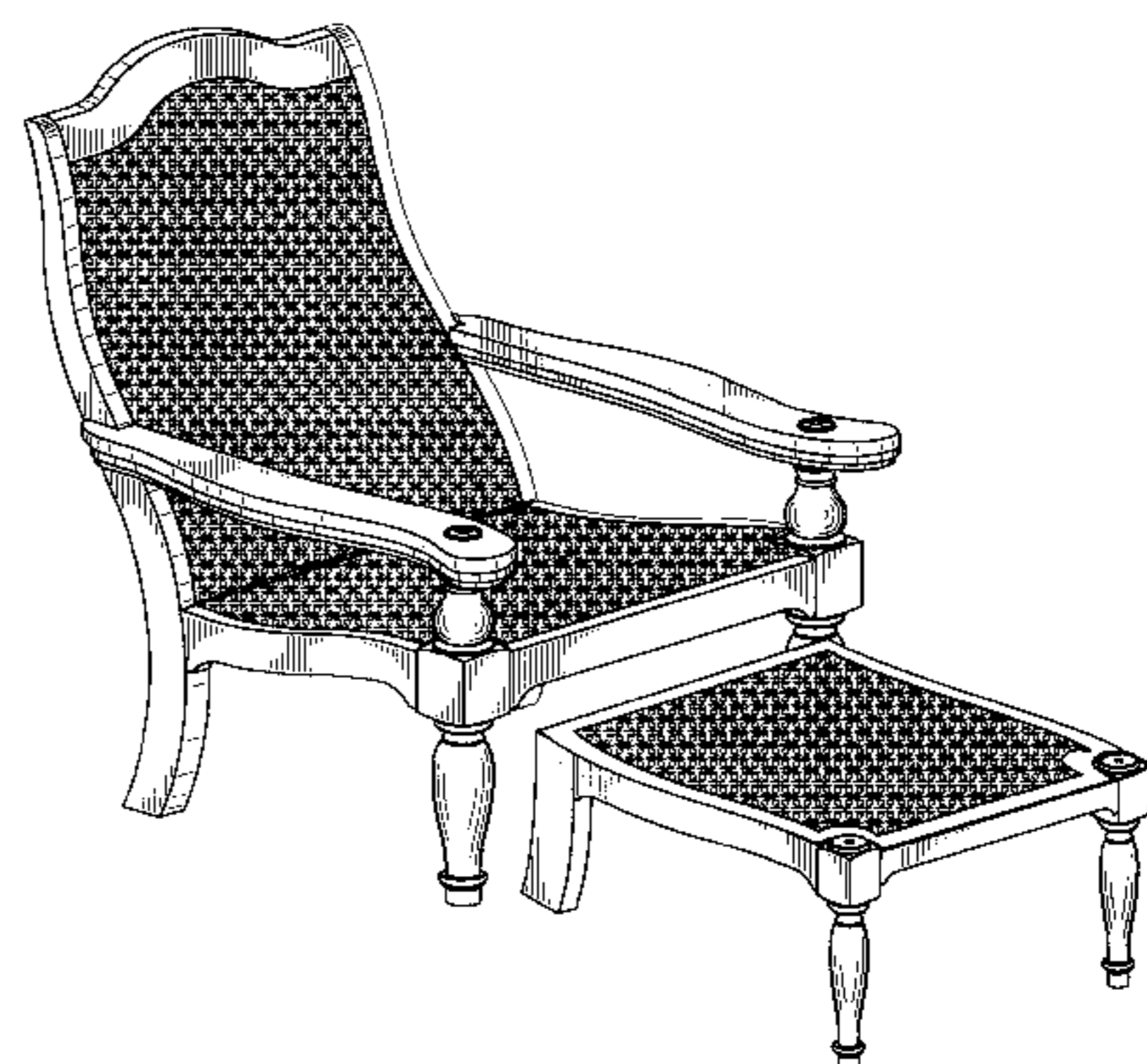
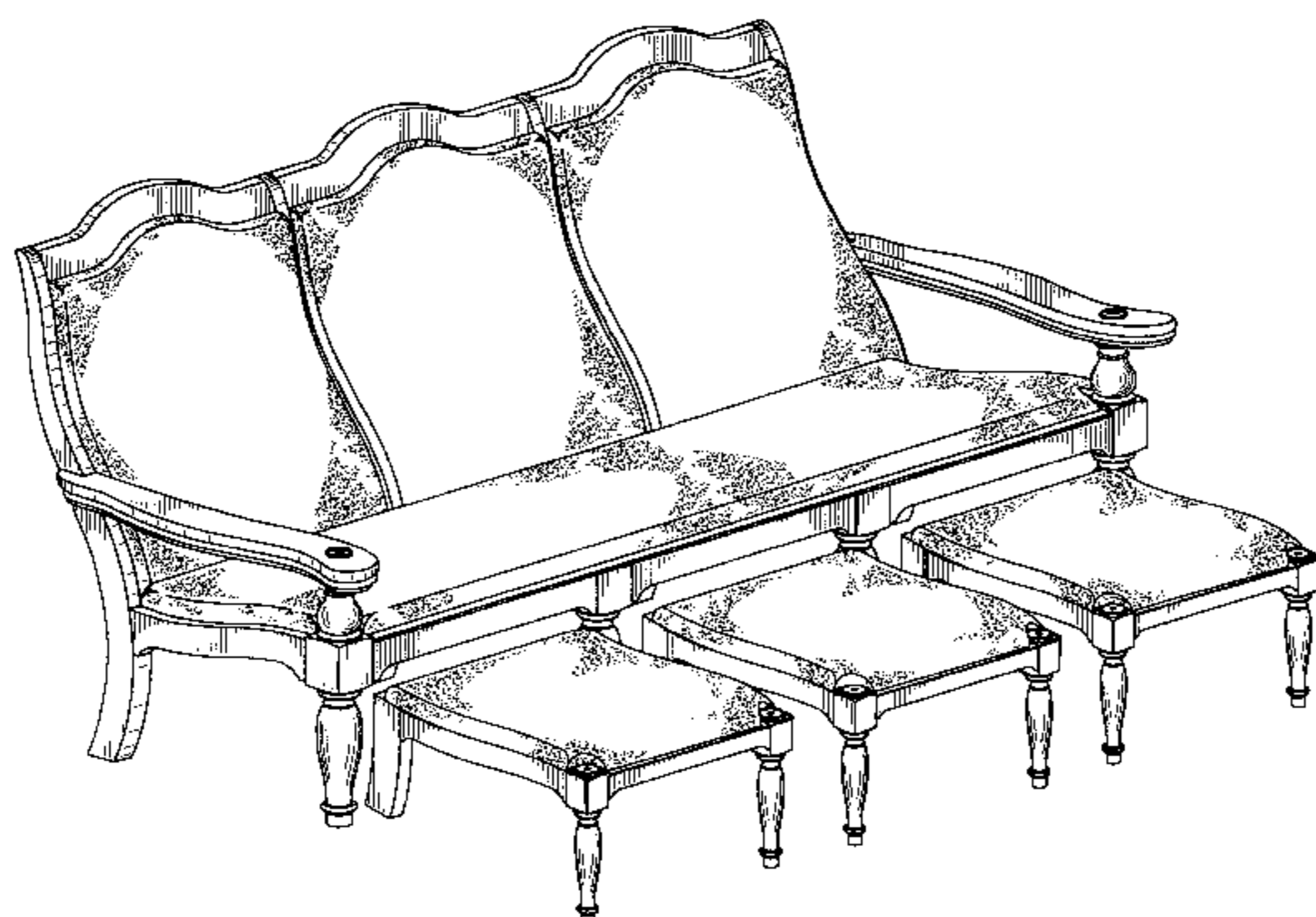
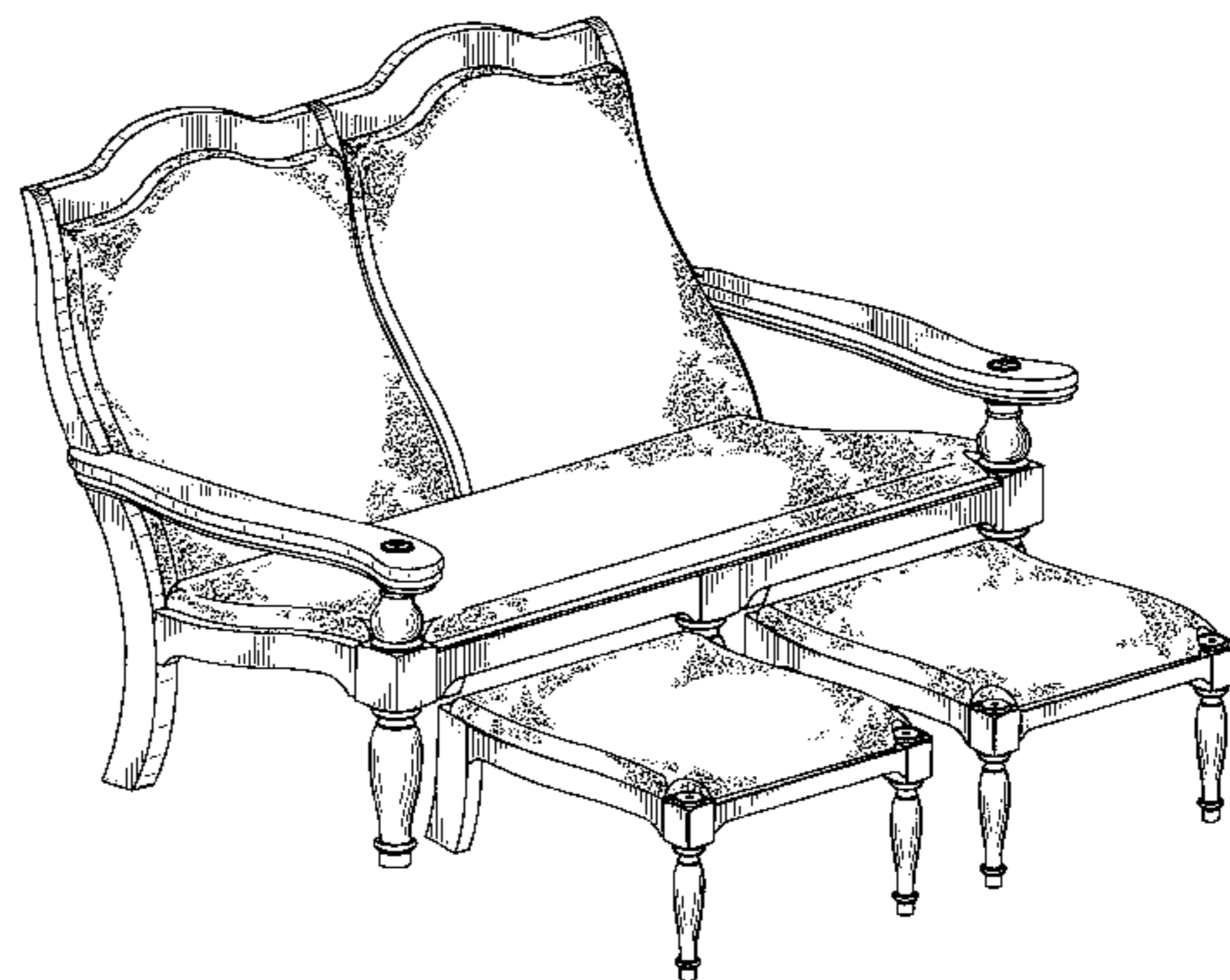
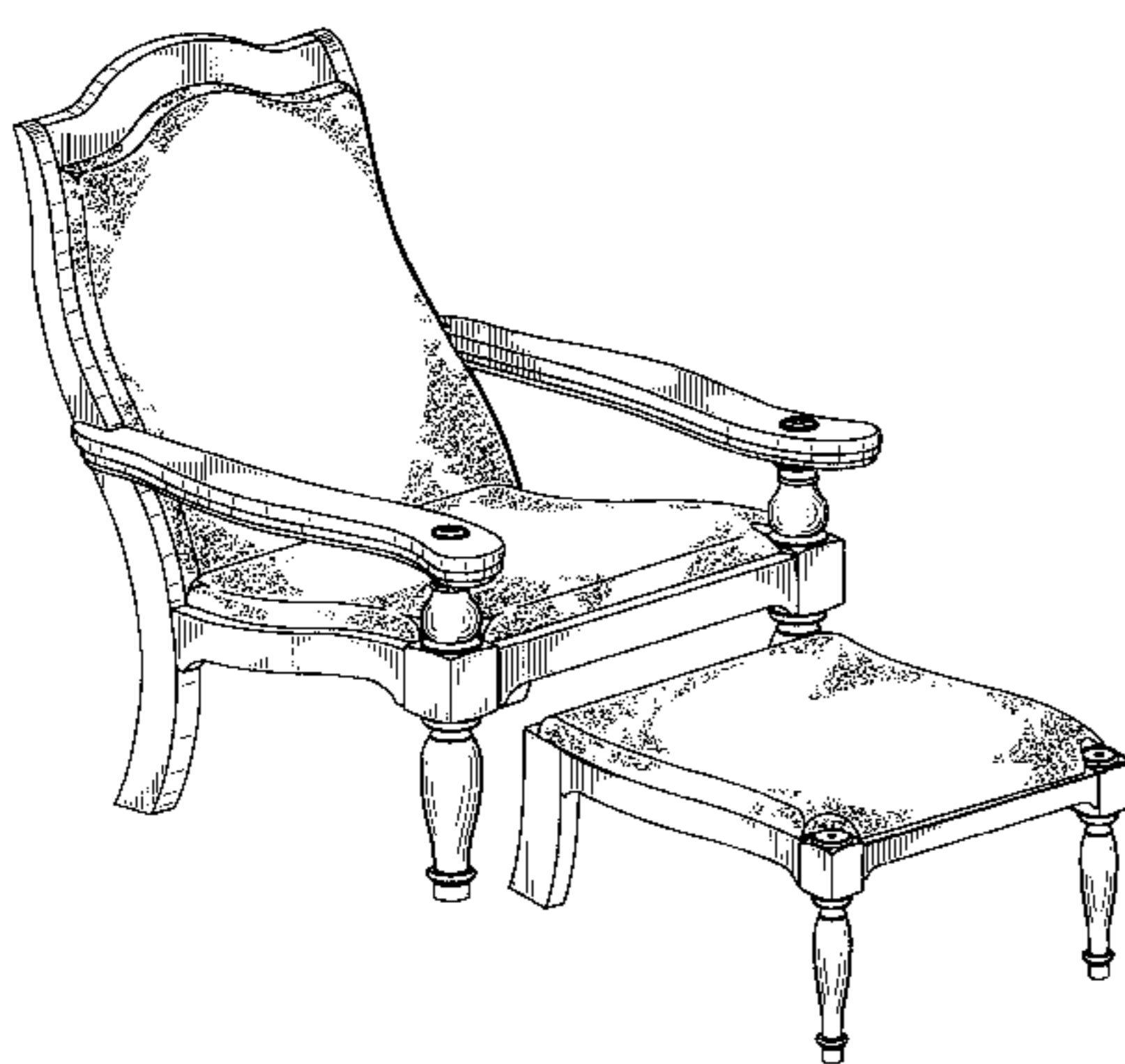
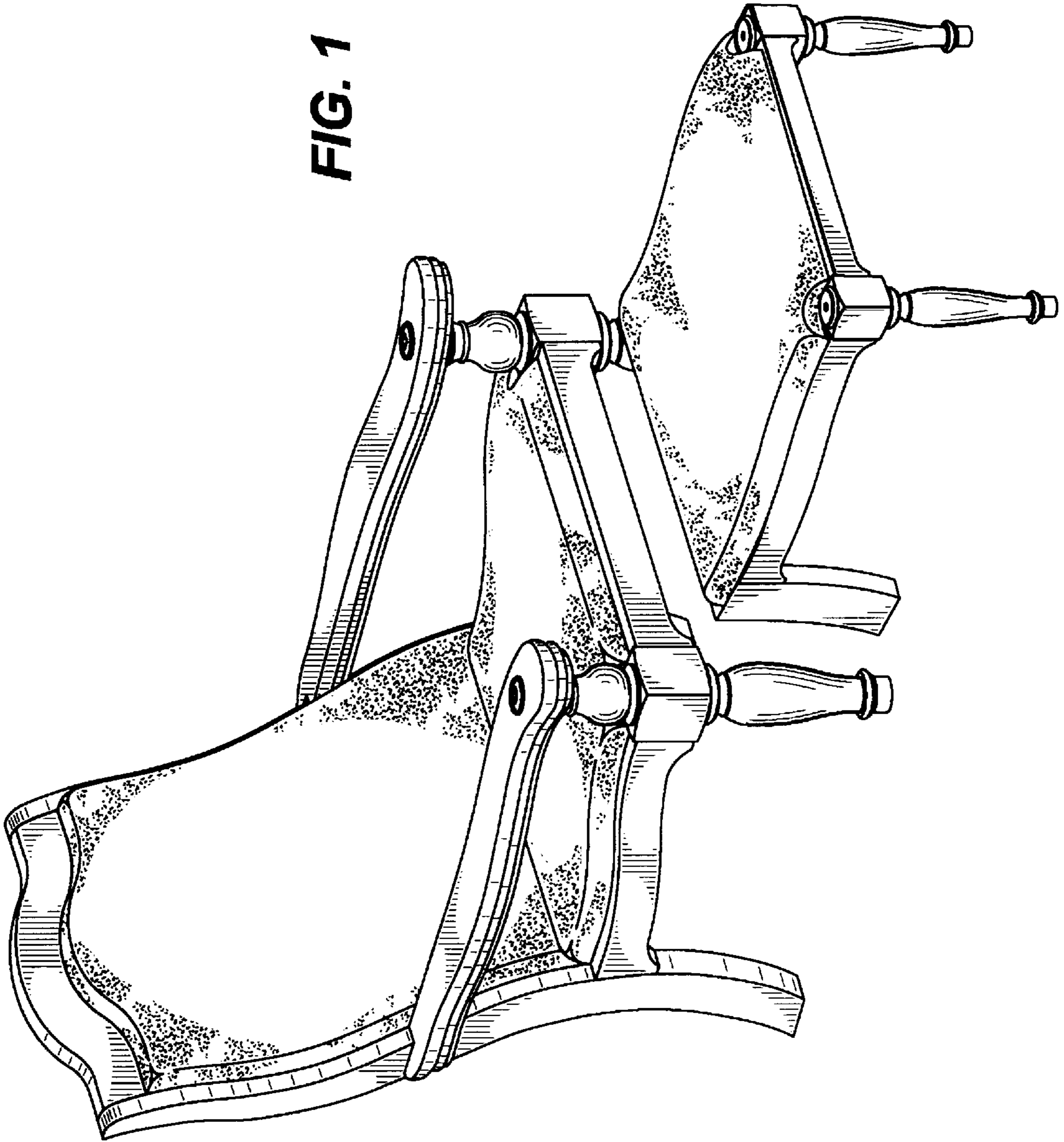


FIG. 1



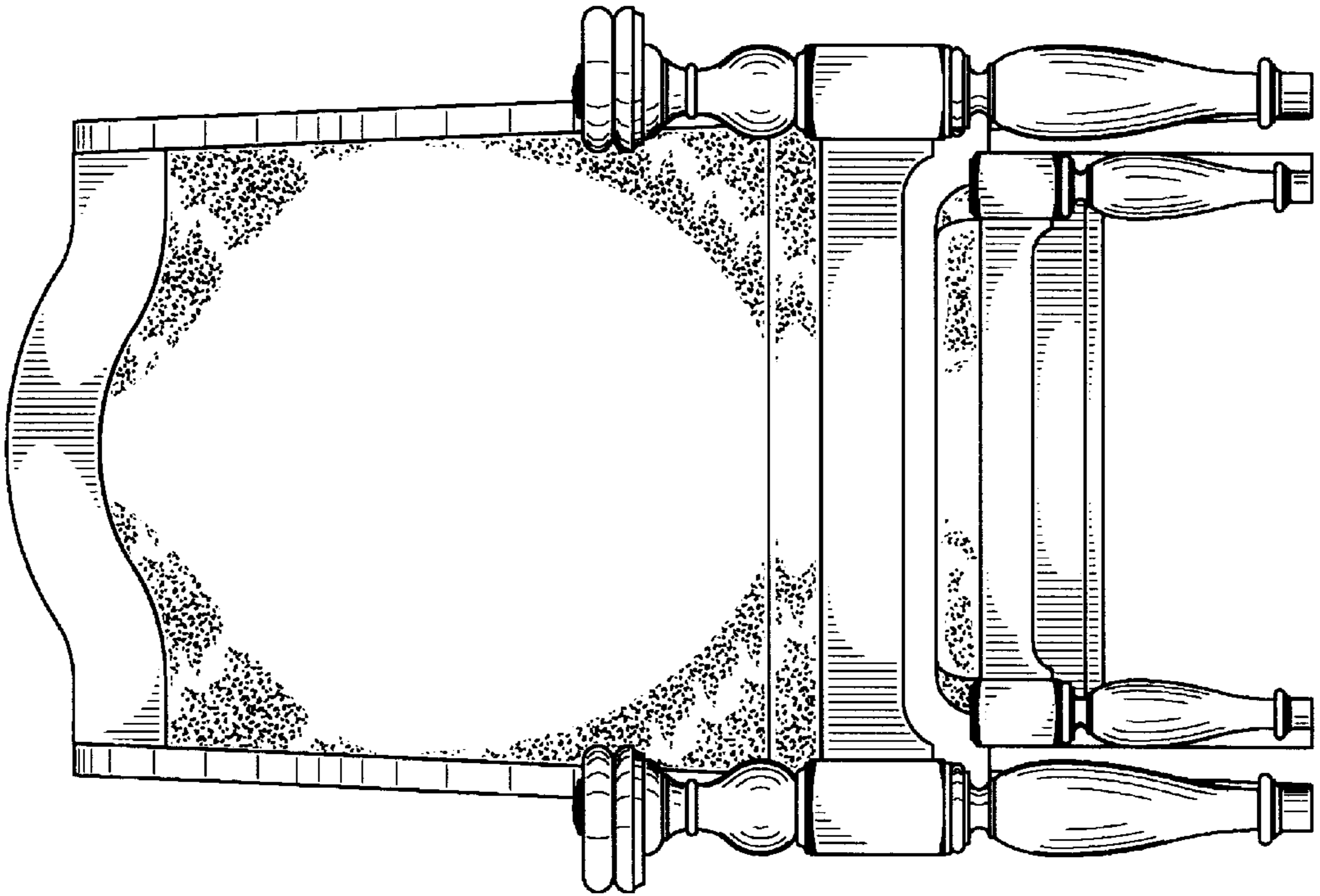


FIG. 2

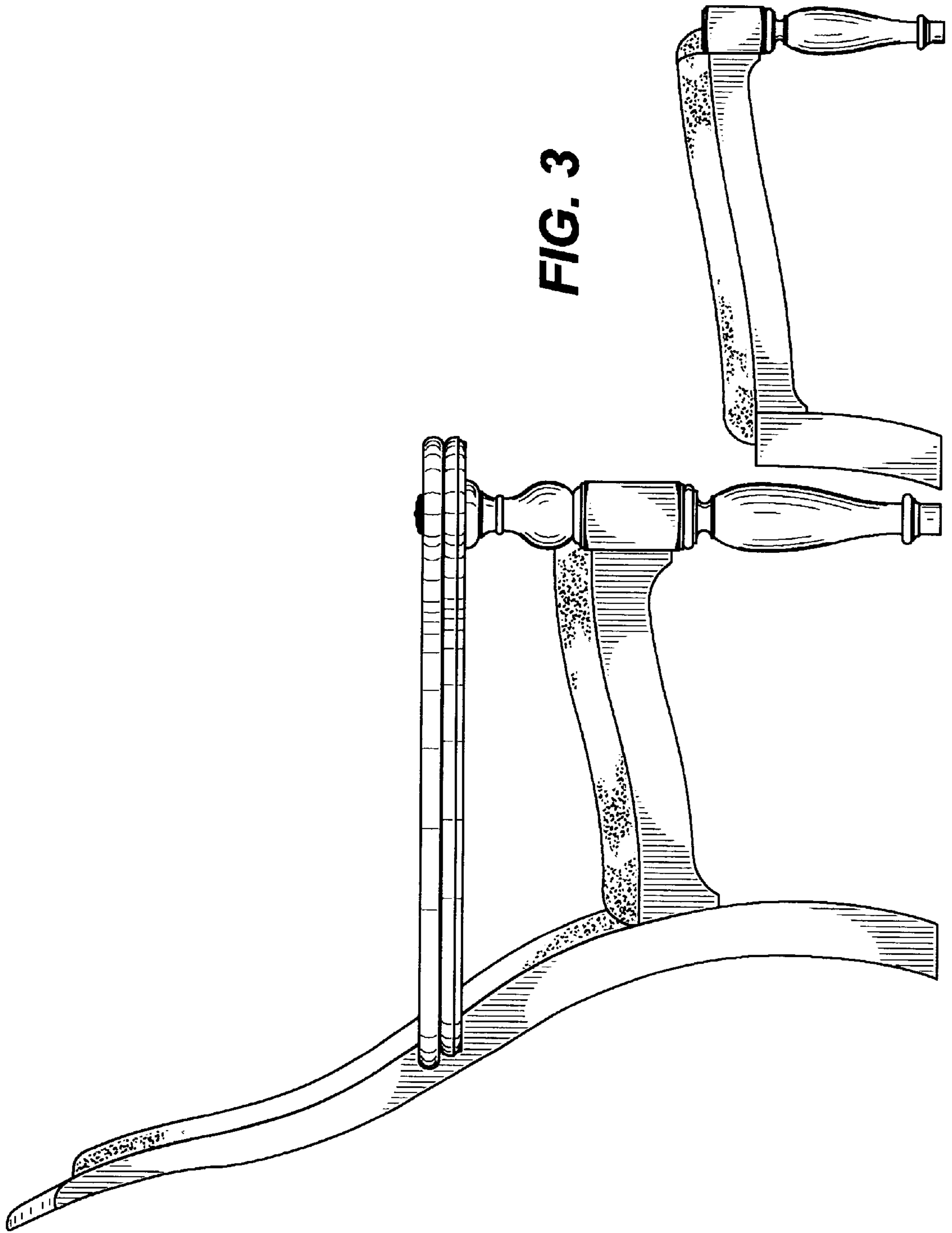


FIG. 3

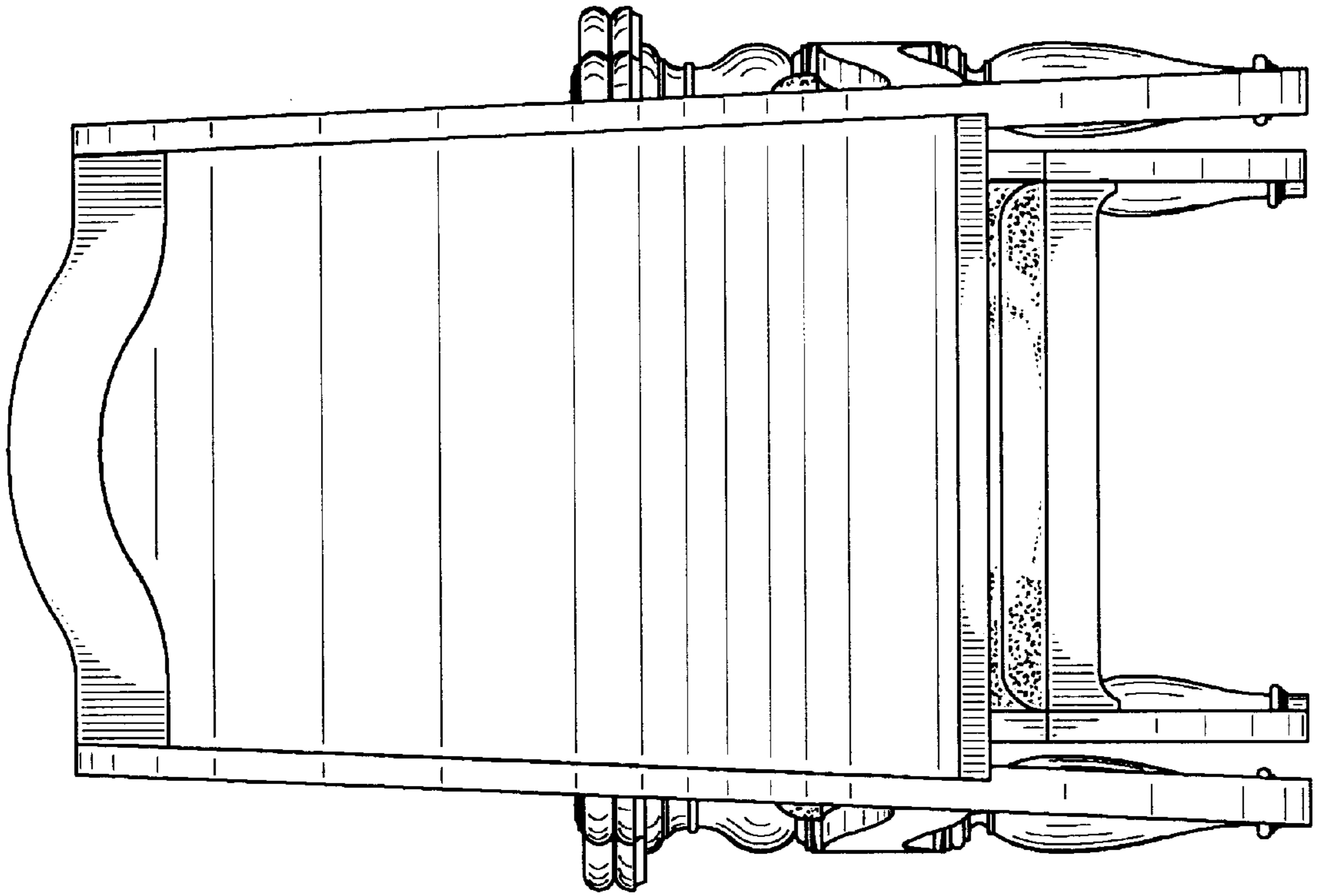


FIG. 4

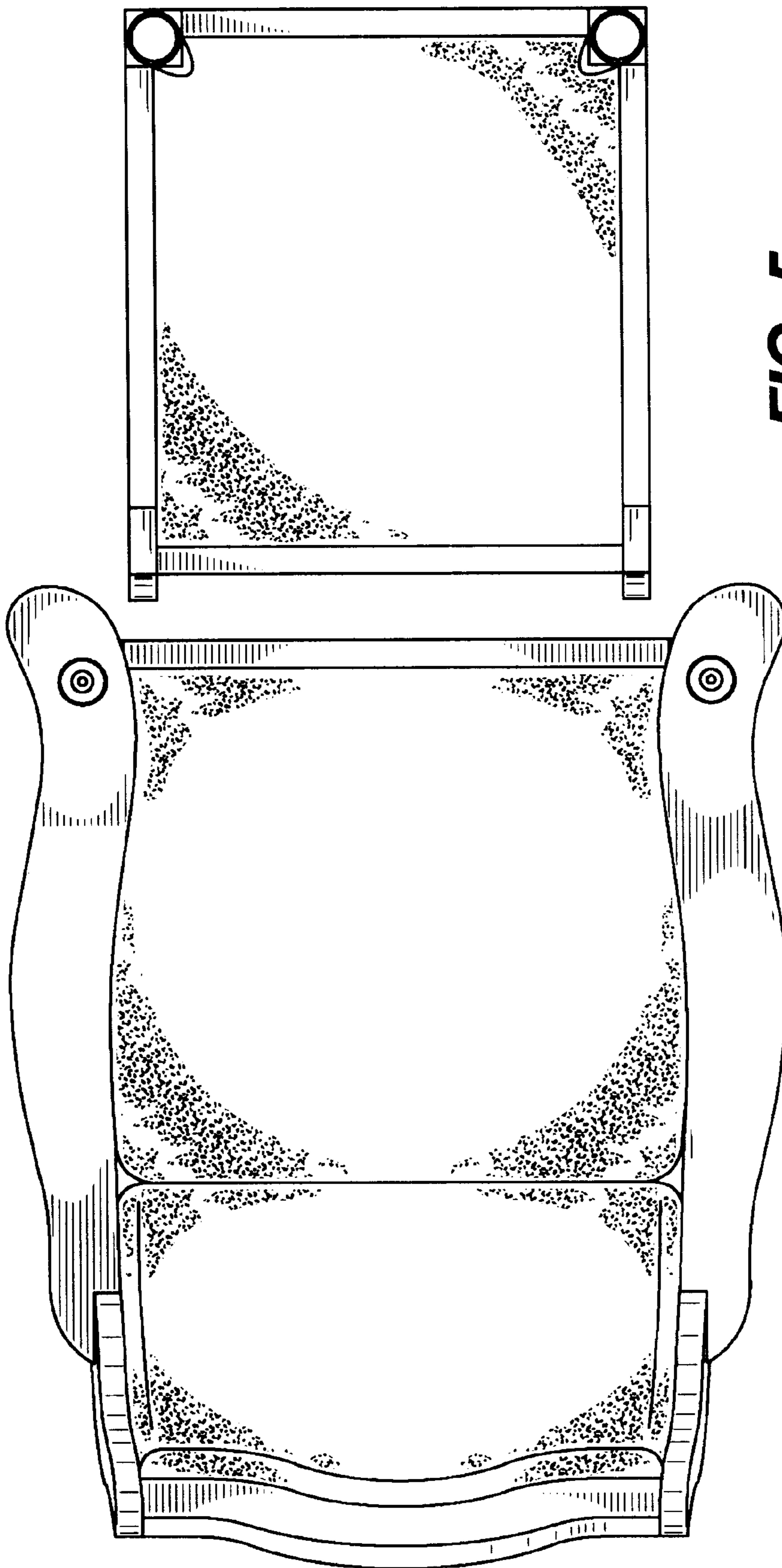


FIG. 5

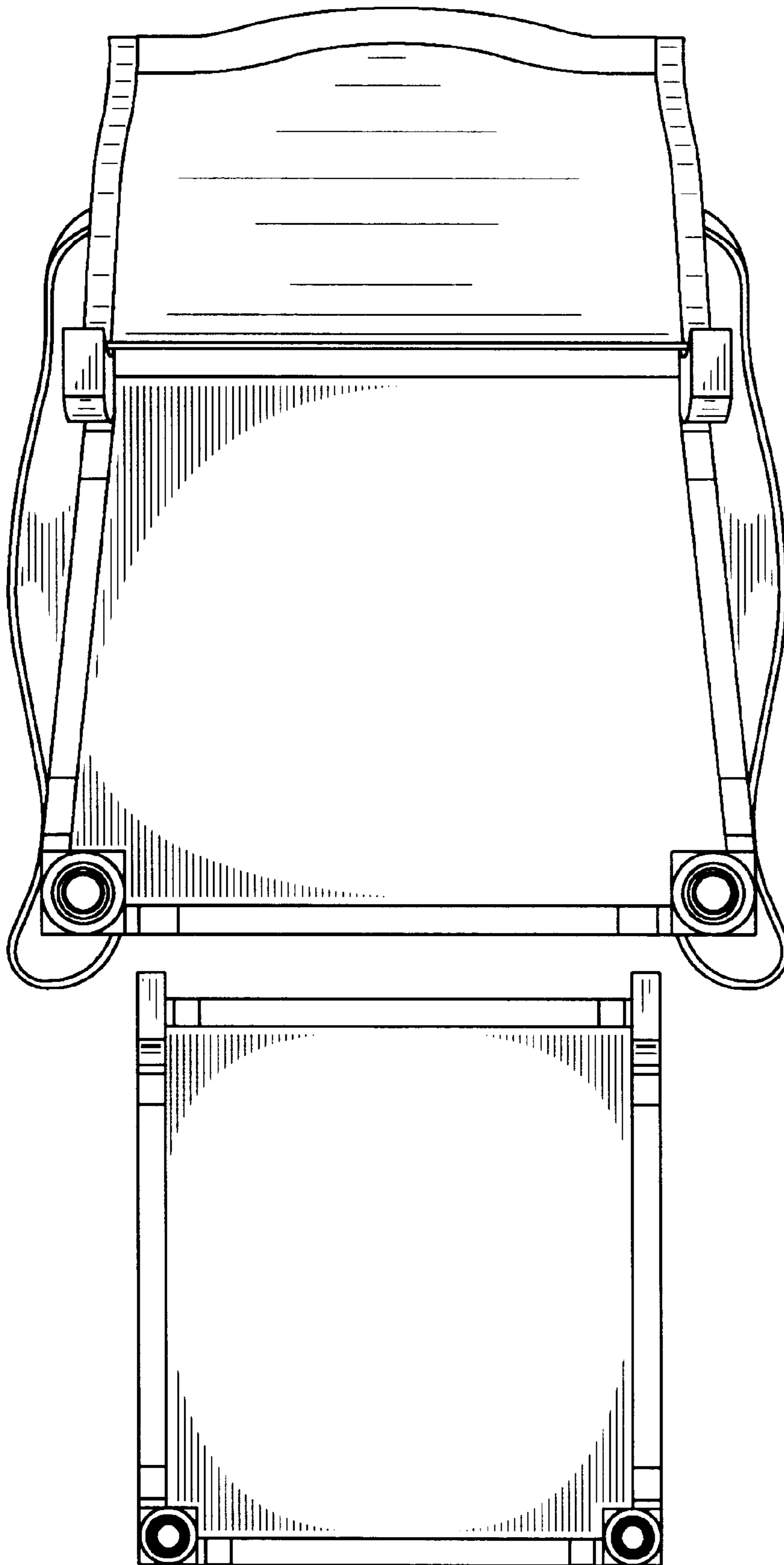


FIG. 6

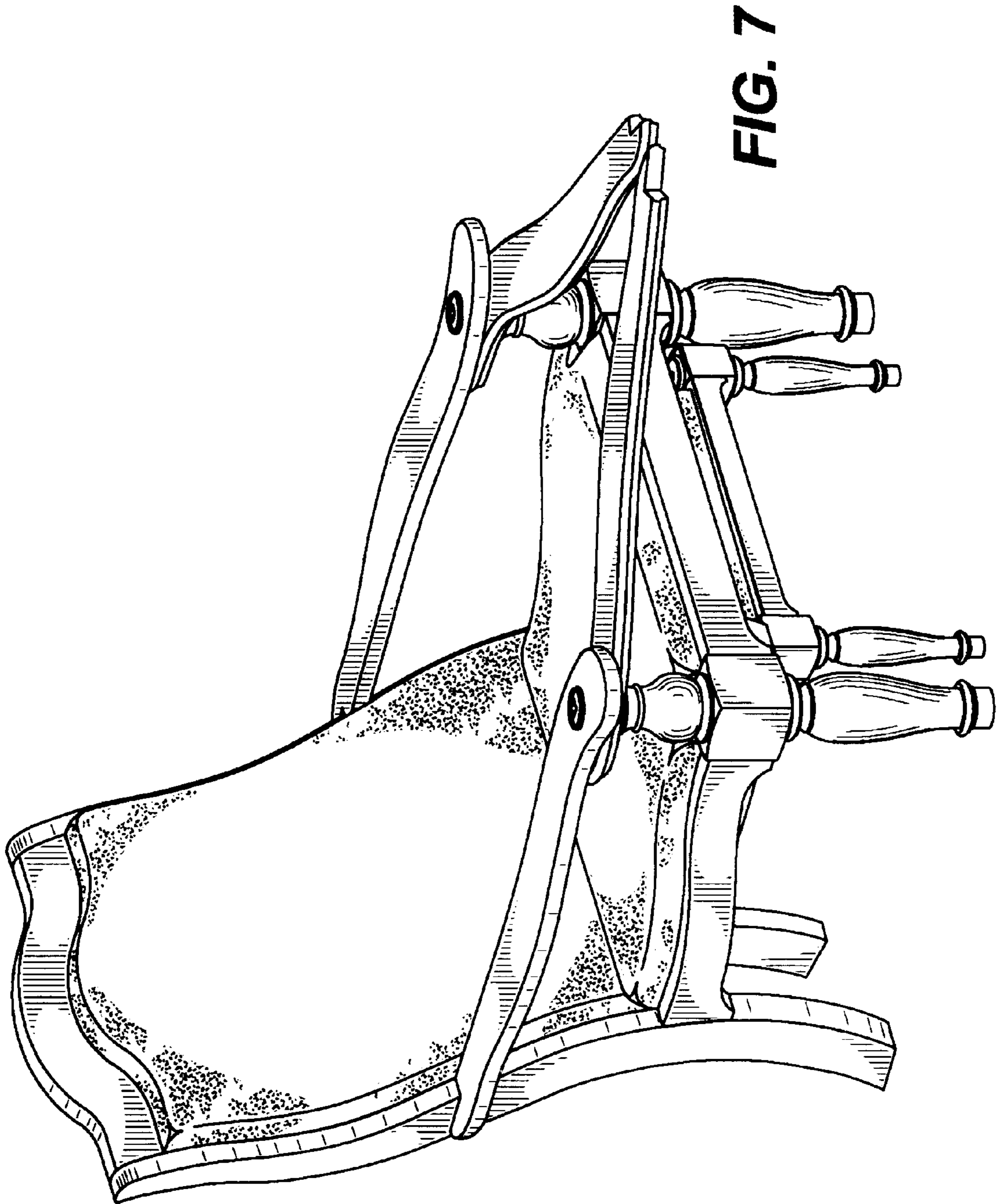
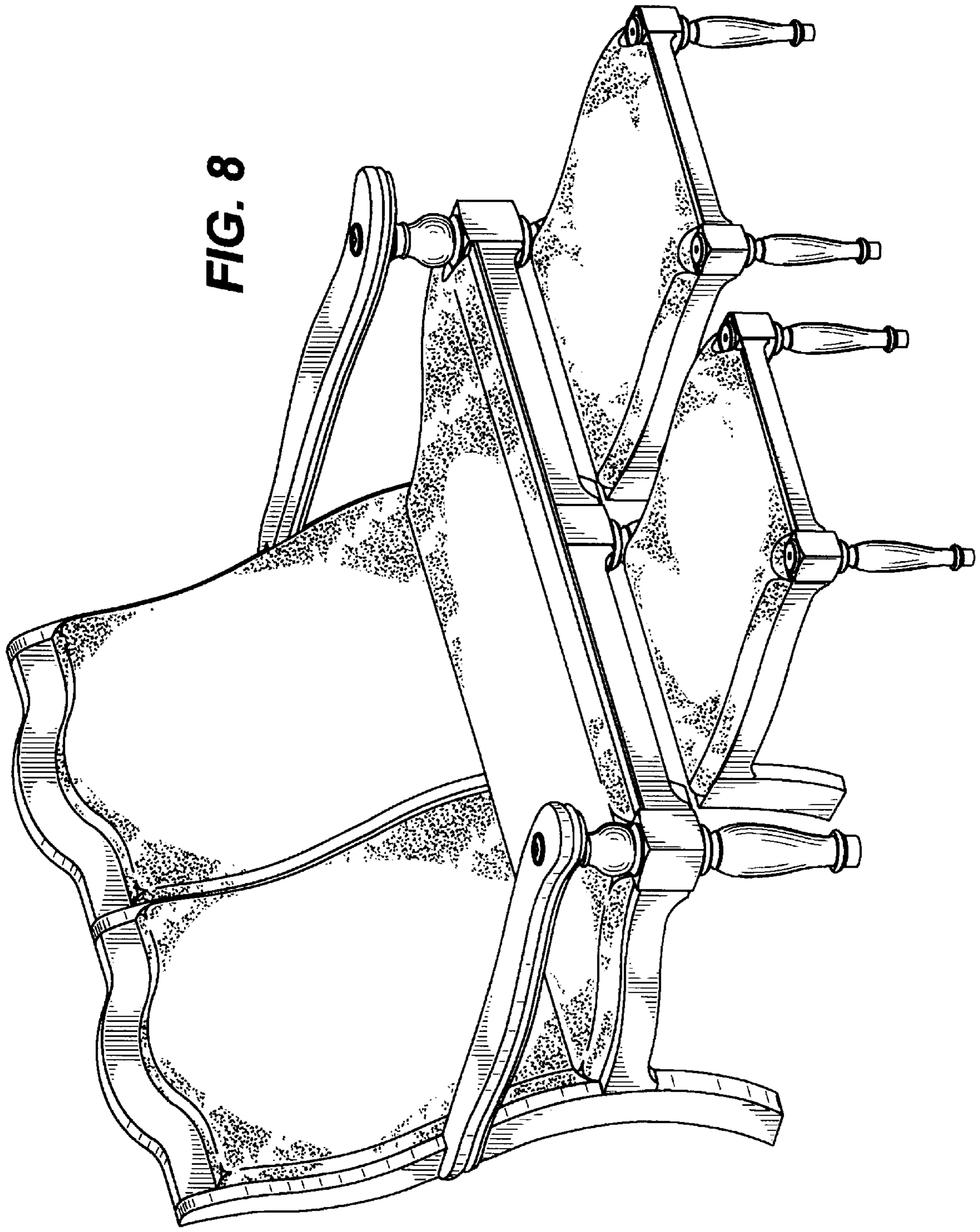


FIG. 7

FIG. 8



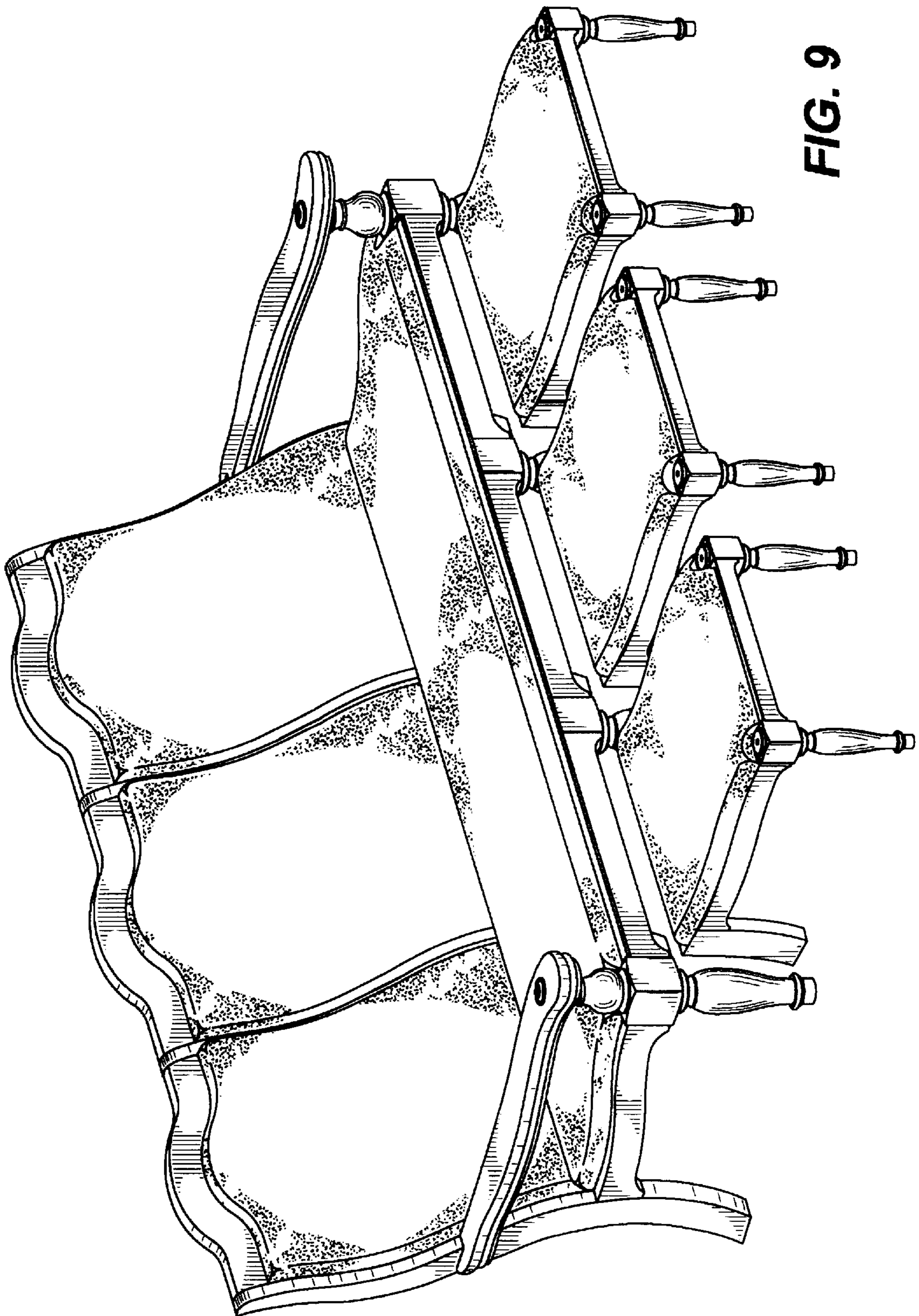


FIG. 9

FIG. 10

